



US00D451252B1

(12) **United States Design Patent**  
**Ikeno et al.**

(10) **Patent No.:** **US D451,252 S**

(45) **Date of Patent:** **\*\* Nov. 27, 2001**

- (54) **ELECTRIC VACUUM CLEANER**
- (75) Inventors: **Kenji Ikeno; Kazuhiko Nakano;**  
**Hiroko Tsuchida, all of Osaka (JP)**
- (73) Assignee: **Sanyo Electric Co., Ltd., Osaka (JP)**
- (\*\*) Term: **14 Years**
- (21) Appl. No.: **29/133,725**
- (22) Filed: **Dec. 6, 2000**
- (30) **Foreign Application Priority Data**  
Jun. 9, 2000 (JP) ..... 00-015721
- (51) **LOC (7) Cl.** ..... **15-05**
- (52) **U.S. Cl.** ..... **D32/24**
- (58) **Field of Search** ..... D32/21, 22-24,  
D32/32-33, 25, 31; 15/398, 364, 400, 42,  
322, 410, 412, 414, 415.1-422.1, 327.1-327.7,  
377, 347, 344, 329
- (56) **References Cited**  
**U.S. PATENT DOCUMENTS**  
D. 175,857 \* 10/1955 Ryden ..... D32/21  
D. 208,529 \* 9/1967 Schoettler ..... 15/323

- D. 355,283 \* 2/1995 Thomas et al. .... D32/24
- D. 399,616 \* 10/1998 Bobrosky et al. .... D32/21
- D. 422,763 \* 4/2000 Tsuda ..... D32/21
- D. 432,746 \* 10/2000 Frey ..... D32/24
- 6,145,160 \* 11/2000 Buss et al. .... 15/323

\* cited by examiner

*Primary Examiner*—Ruth McInroy

(74) *Attorney, Agent, or Firm*—Arent Fox Kintner Plotkin & Kahn, PLLC

(57) **CLAIM**

The ornamental design for an electric vacuum cleaner, as shown and described.

**DESCRIPTION**

FIG. 1 is a perspective view of an electric vacuum cleaner showing our new design;  
 FIG. 2 is a top plan view thereof;  
 FIG. 3 is a front elevational view thereof;  
 FIG. 4 is a right side view thereof, a left side view being a mirror image;  
 FIG. 5 is a rear elevational view thereof; and,  
 FIG. 6 is a bottom plan view thereof.

**1 Claim, 5 Drawing Sheets**

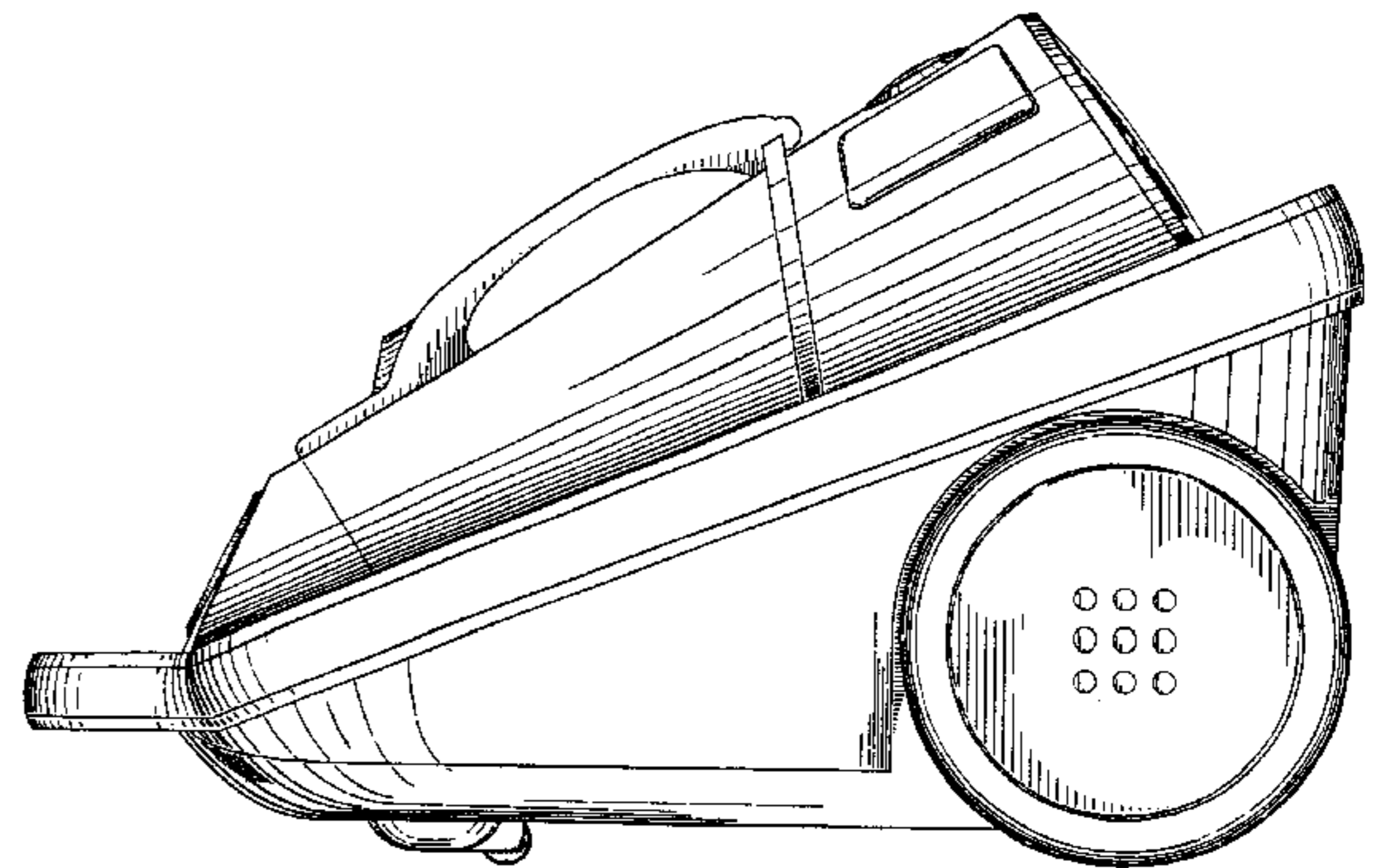
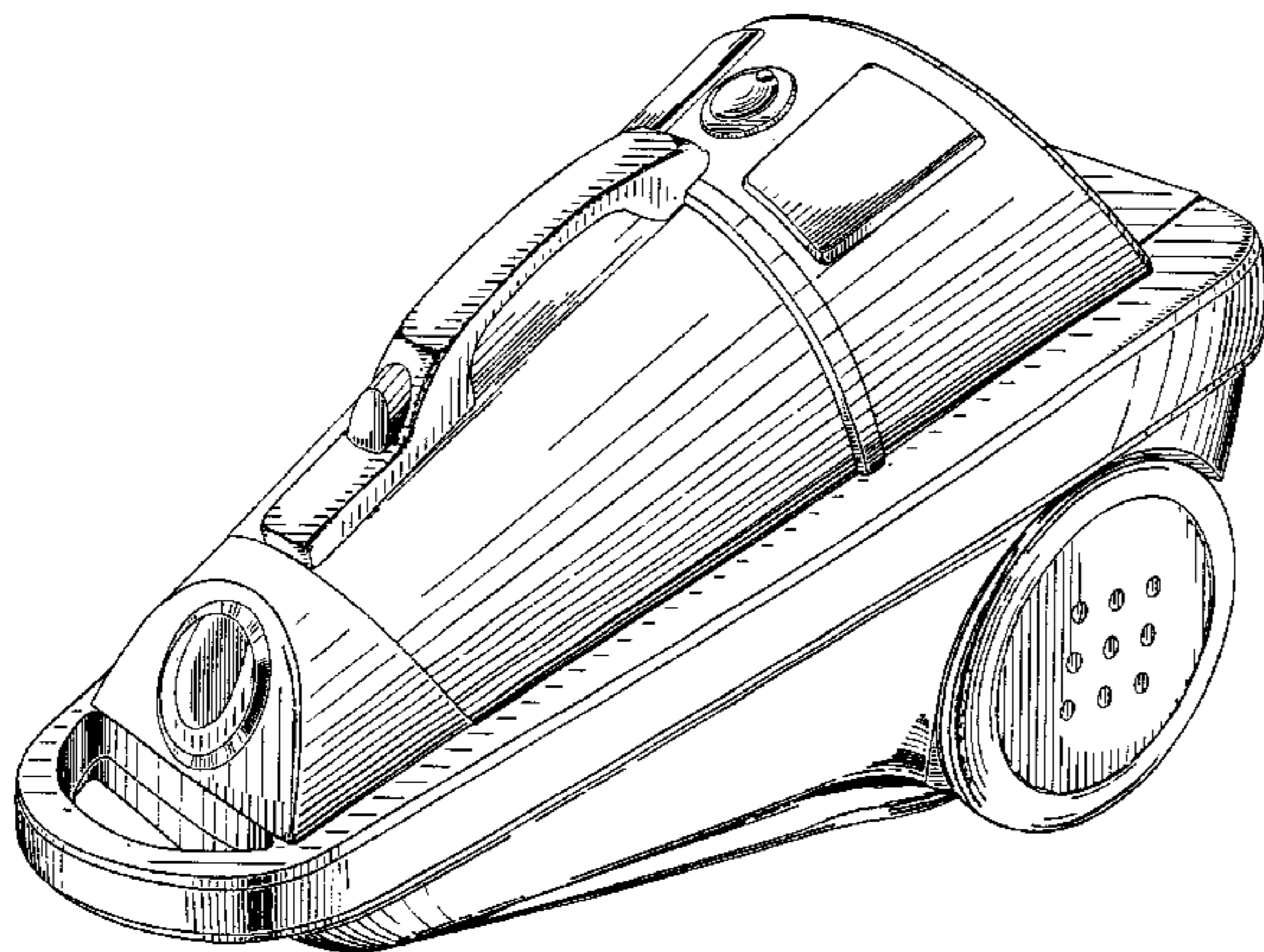


FIG. 1

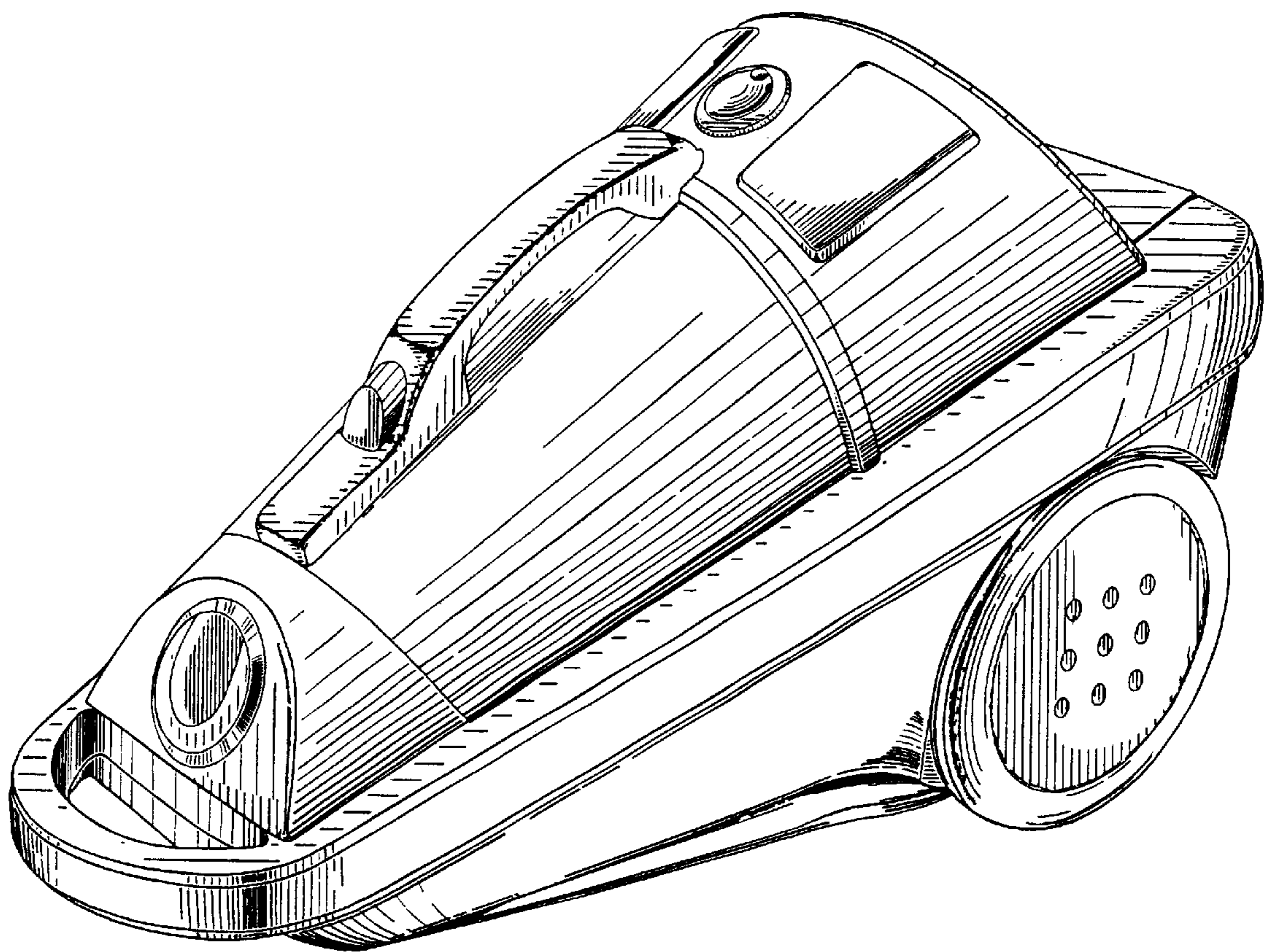


FIG. 2

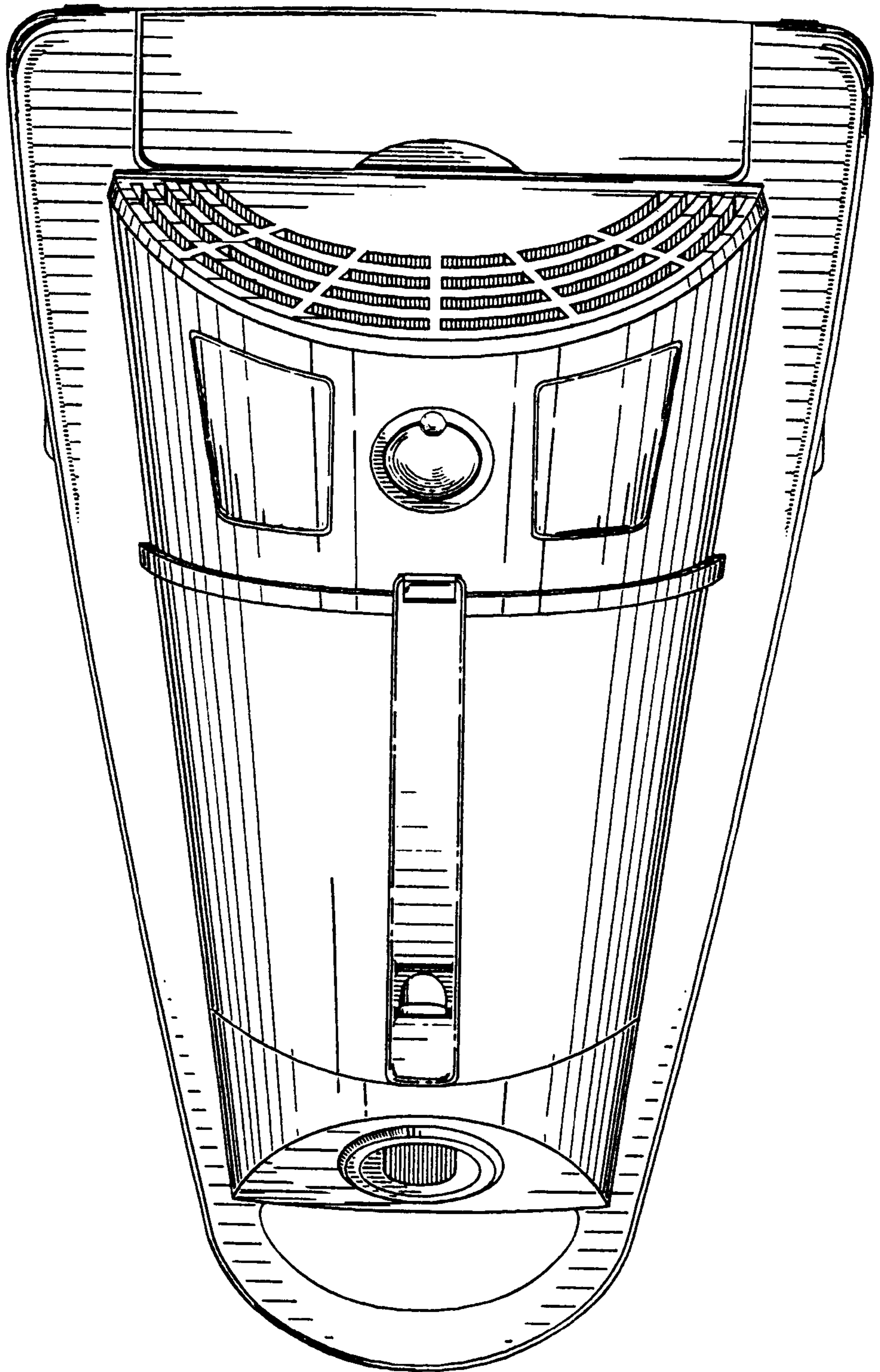


FIG. 3

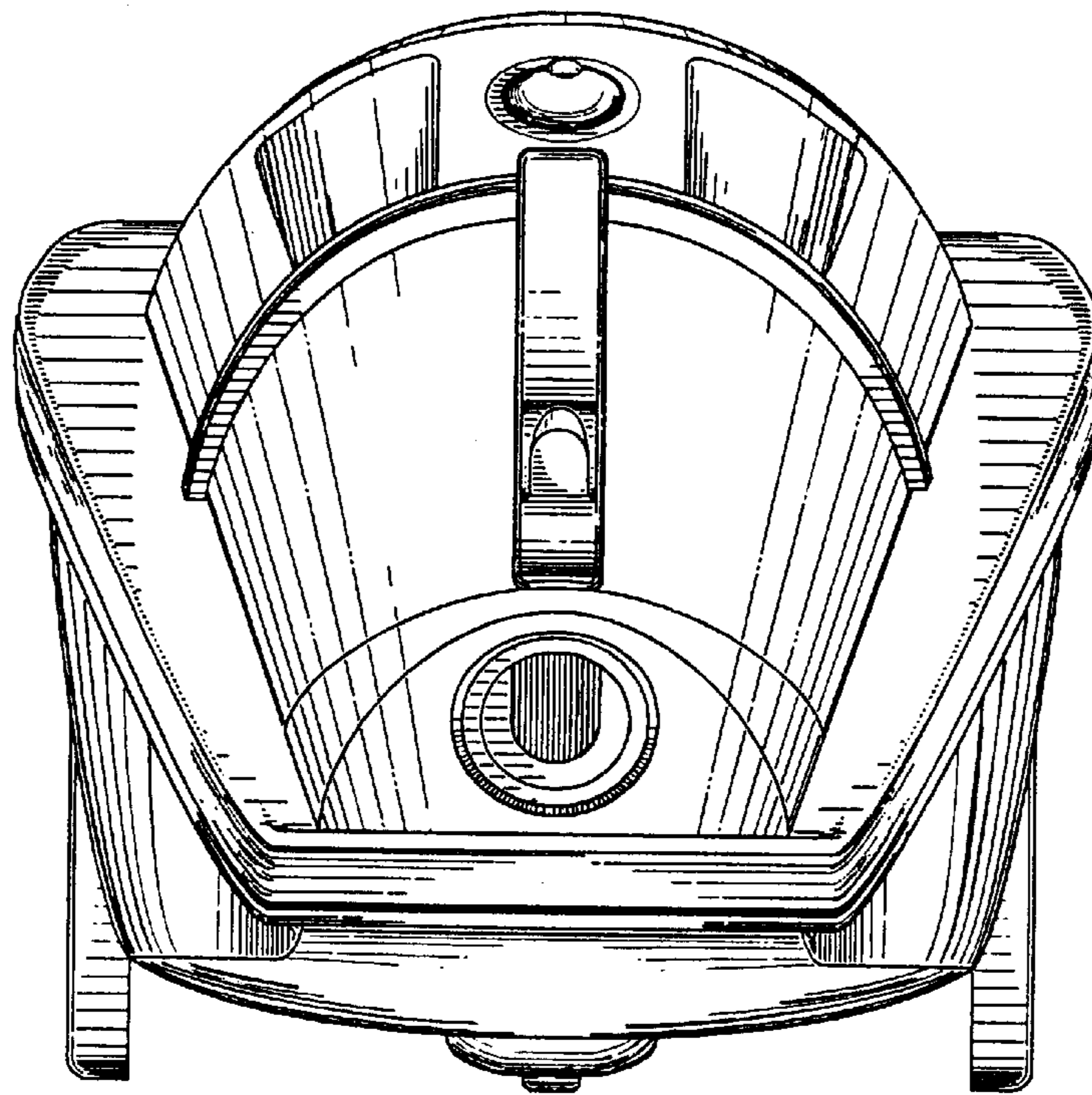


FIG. 4

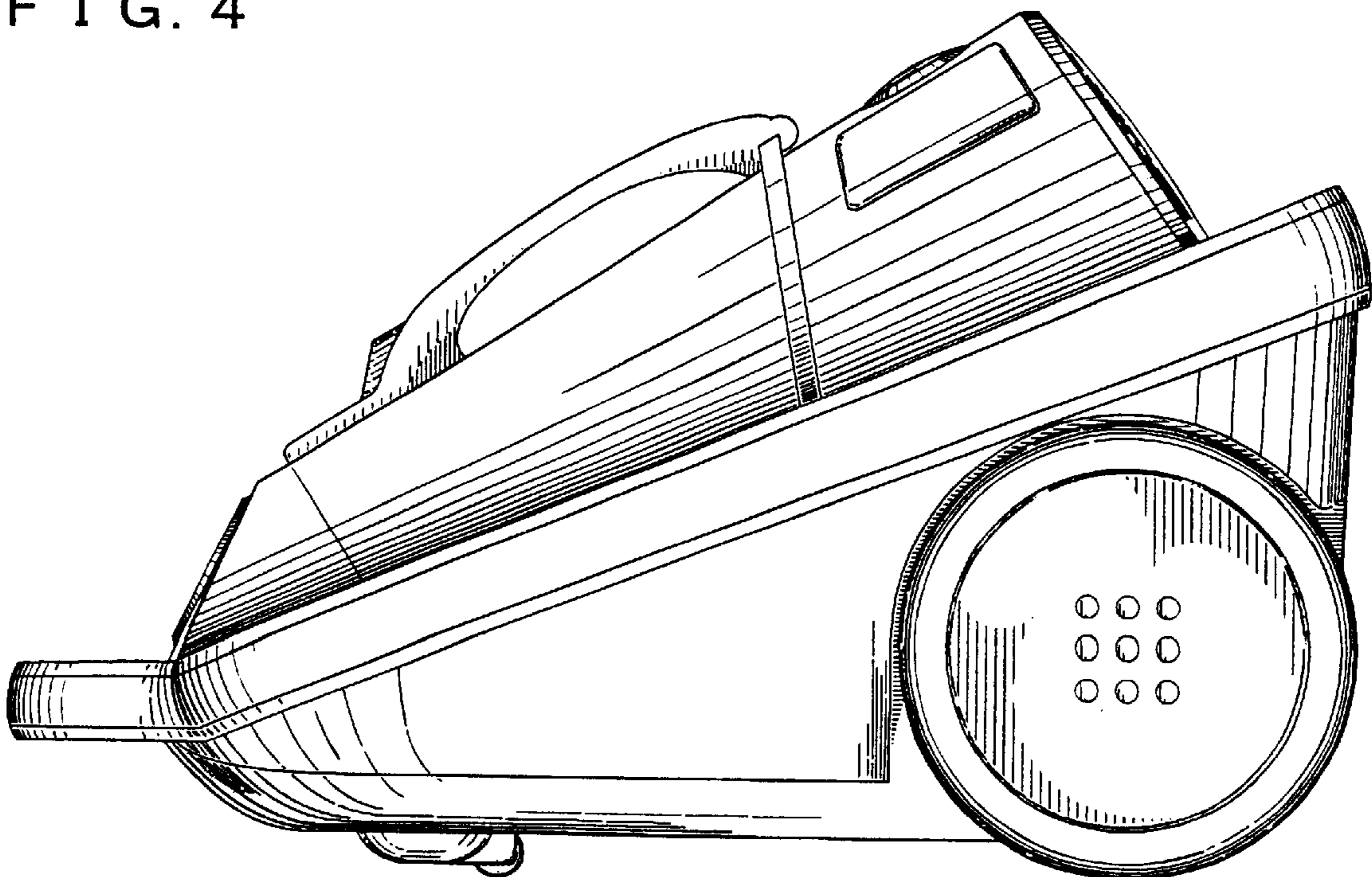


FIG. 5

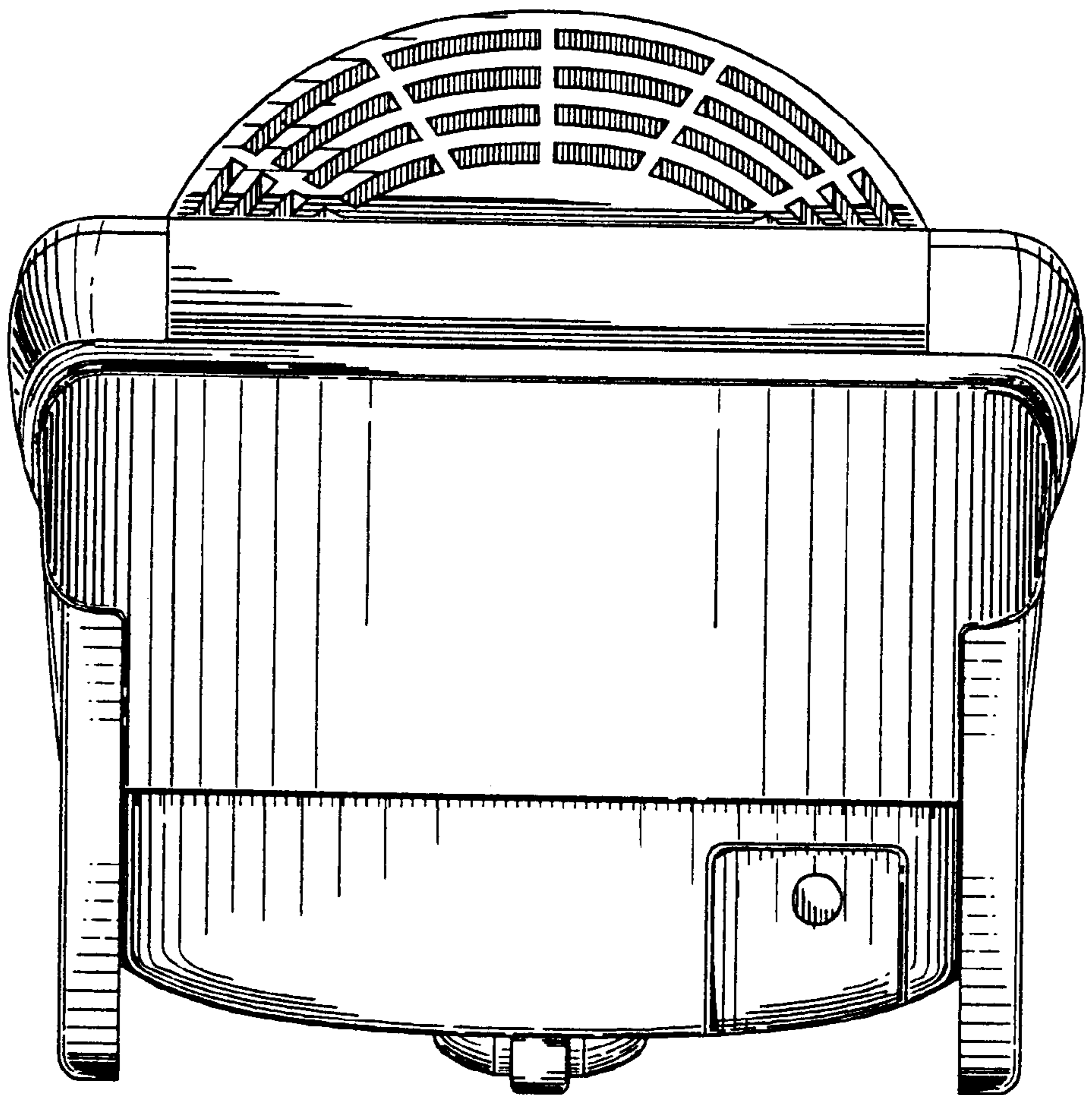


FIG. 6

