



US00D451247B1

(12) **United States Design Patent**
Khalaj

(10) **Patent No.:** **US D451,247 S**

(45) **Date of Patent:** **** Nov. 27, 2001**

(54) **NAIL DRYER**

(76) **Inventor:** **Ben M. Khalaj**, 4 Autry, Irvine, CA
(US) 92618

(**) **Term:** **14 Years**

(21) **Appl. No.:** **29/135,505**

(22) **Filed:** **Jan. 12, 2001**

(51) **LOC (7) Cl.** **28-03**

(52) **U.S. Cl.** **D28/54.1**

(58) **Field of Search** D28/54.1, 58,
D28/56, 73; 34/201, 202, 231; 392/360,
379, 381, 411, 419; 132/73, 73.5, 75

(56) **References Cited**

U.S. PATENT DOCUMENTS

- D. 277,323 * 1/1985 Raicevic D28/58
- D. 299,559 * 1/1989 Wong D28/58
- D. 381,464 * 7/1997 Schaeffer et al. D28/54.1
- 2,490,019 * 12/1949 Elliot 34/202

- 3,864,847 * 2/1975 Friedman et al. 34/202
- 3,930,320 * 1/1976 Henderson 34/202 X
- 5,084,984 * 2/1992 Duchoud et al. 34/201 X

* cited by examiner

Primary Examiner—Paula A. Mortimer

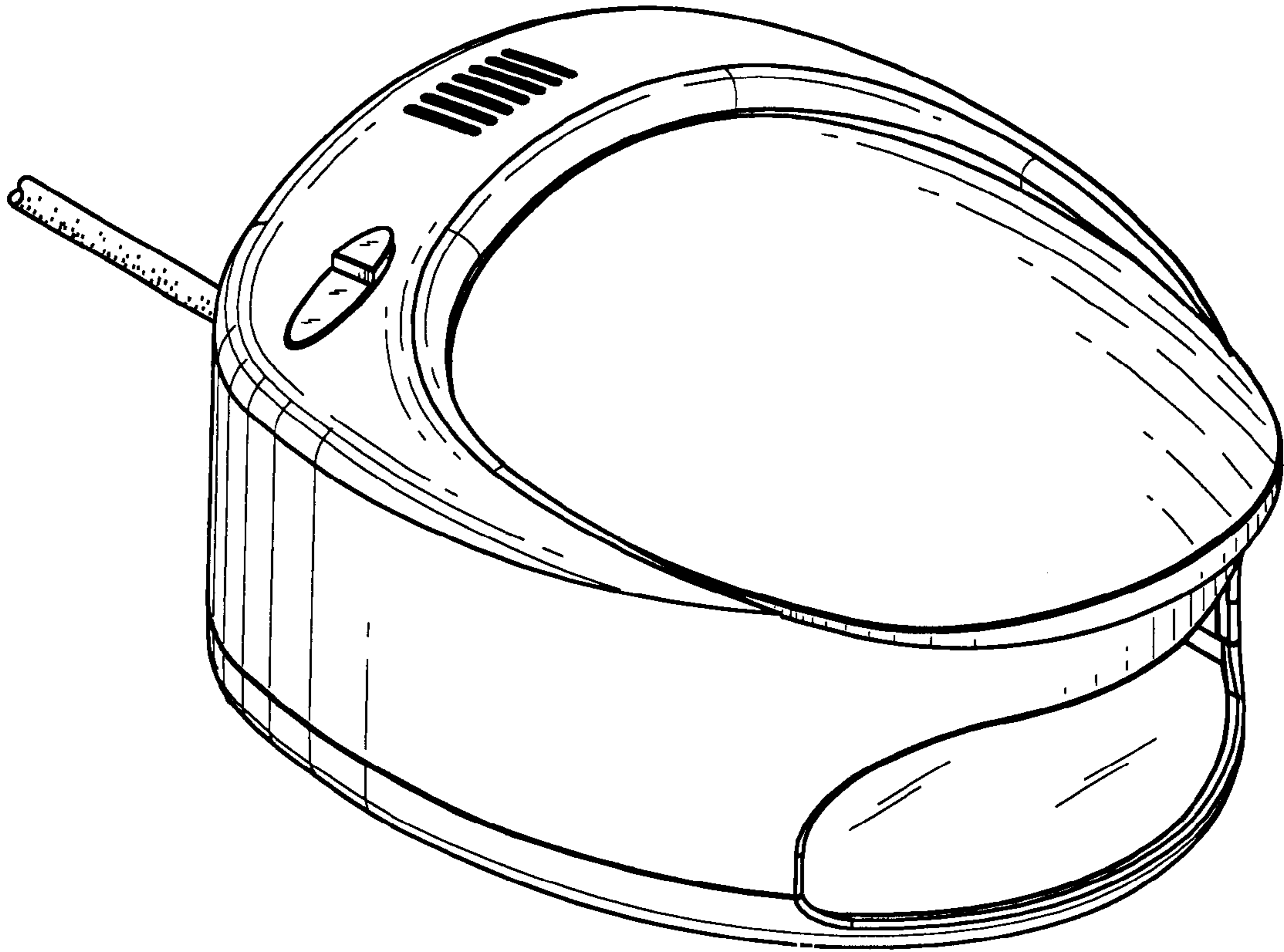
(57) **CLAIM**

The ornamental design for a nail dryer, as shown & described.

DESCRIPTION

FIG. 1 is a top perspective view of a nail dryer showing my new design;
 FIG. 2 is a bottom perspective view thereof;
 FIG. 3 is a top plan view thereof;
 FIG. 4 is a right side elevation view thereof;
 FIG. 5 is a bottom elevation view thereof;
 FIG. 6 is a left side elevation view thereof;
 FIG. 7 is a front elevation view thereof; and,
 FIG. 8 is a rear elevation view thereof.

1 Claim, 3 Drawing Sheets



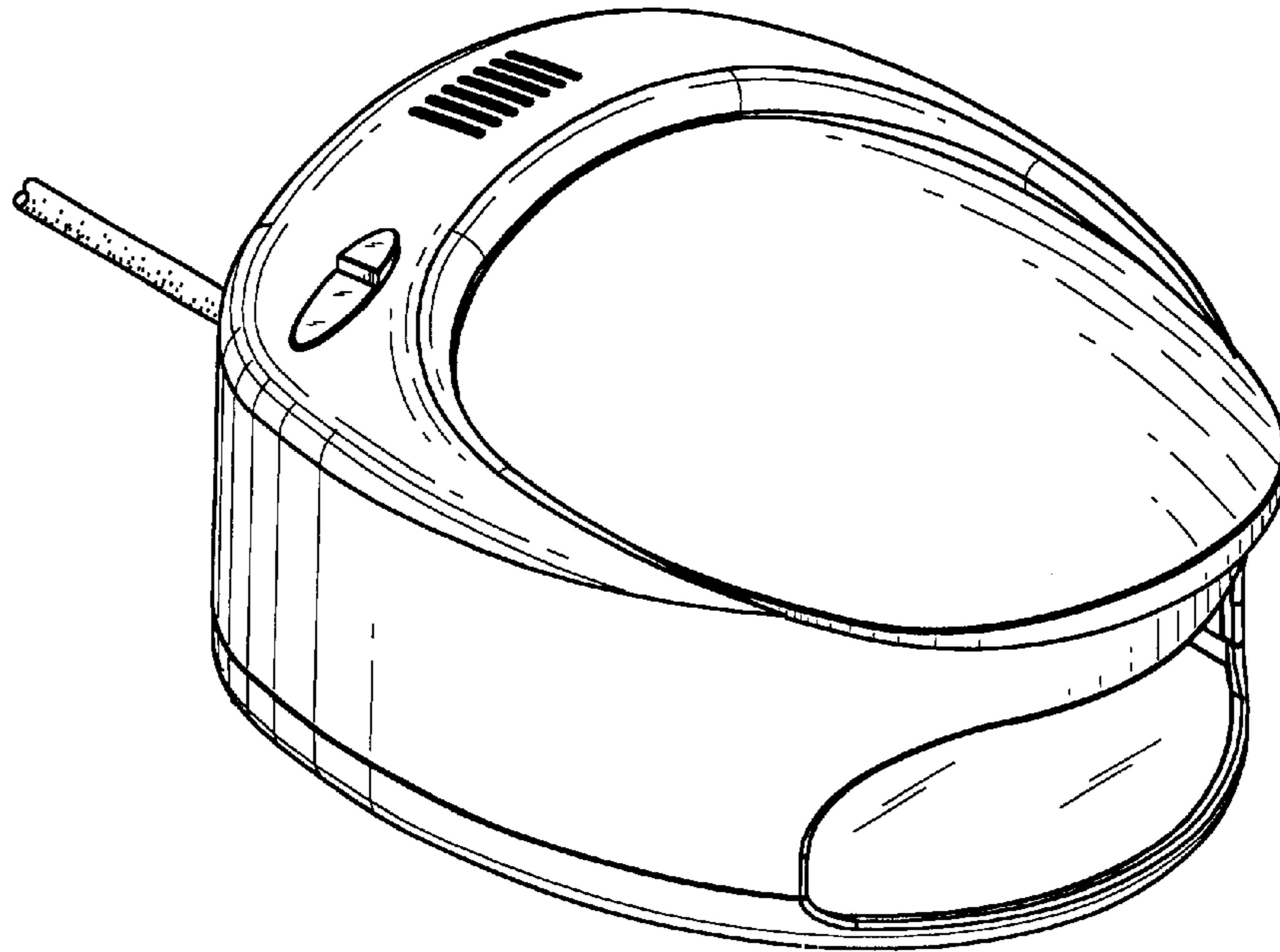


Fig. 1

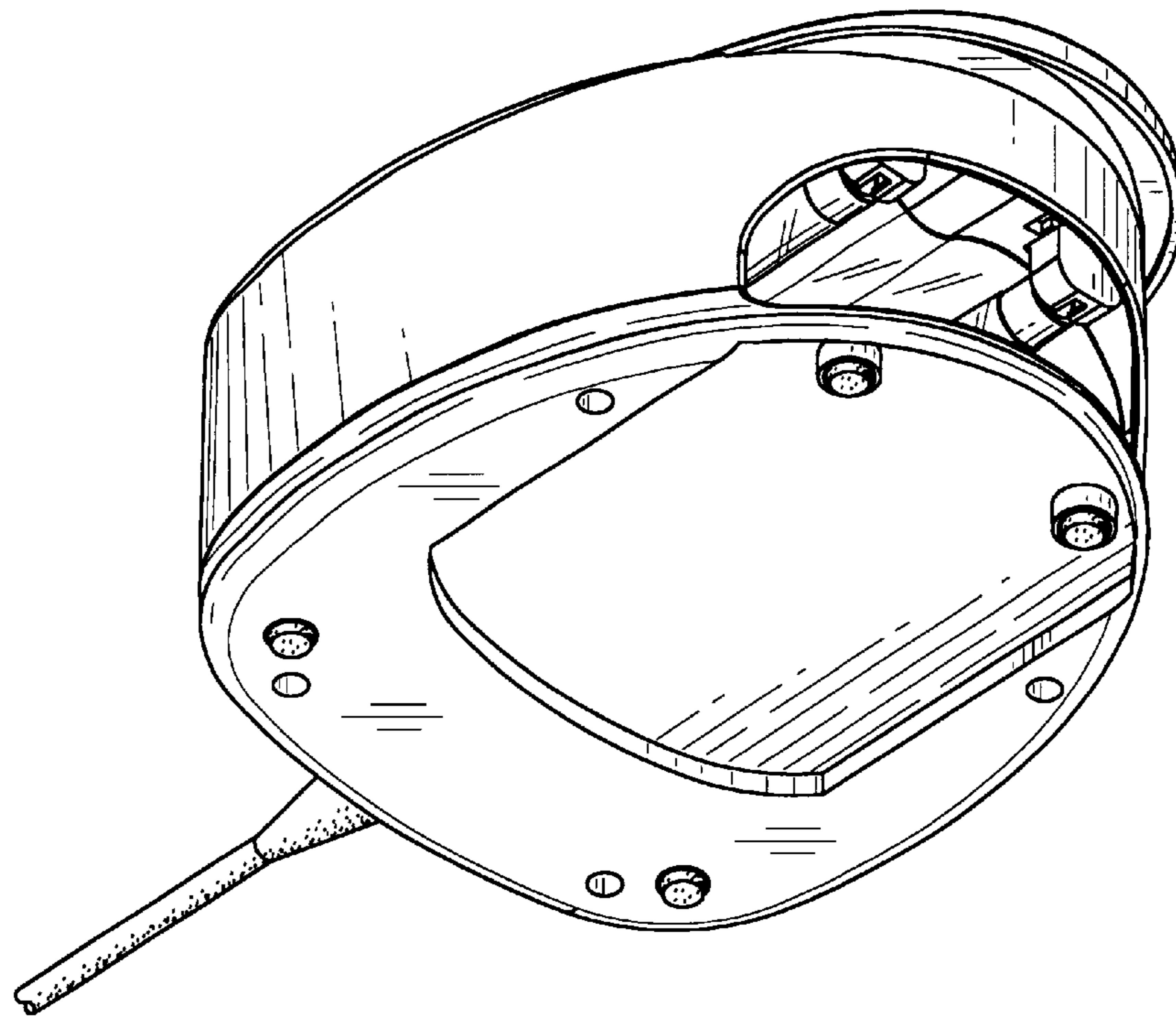


Fig. 2

Fig. 3

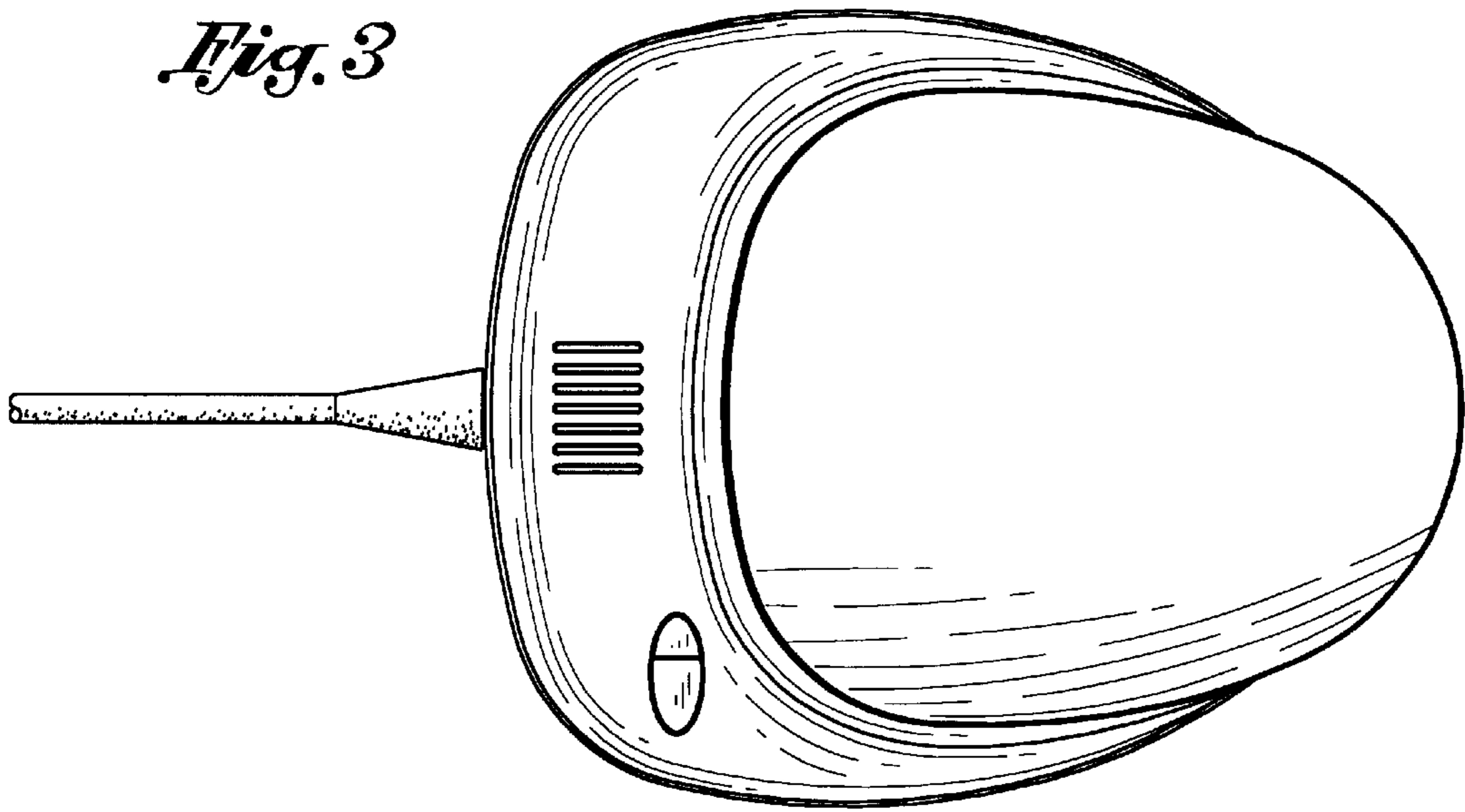


Fig. 4

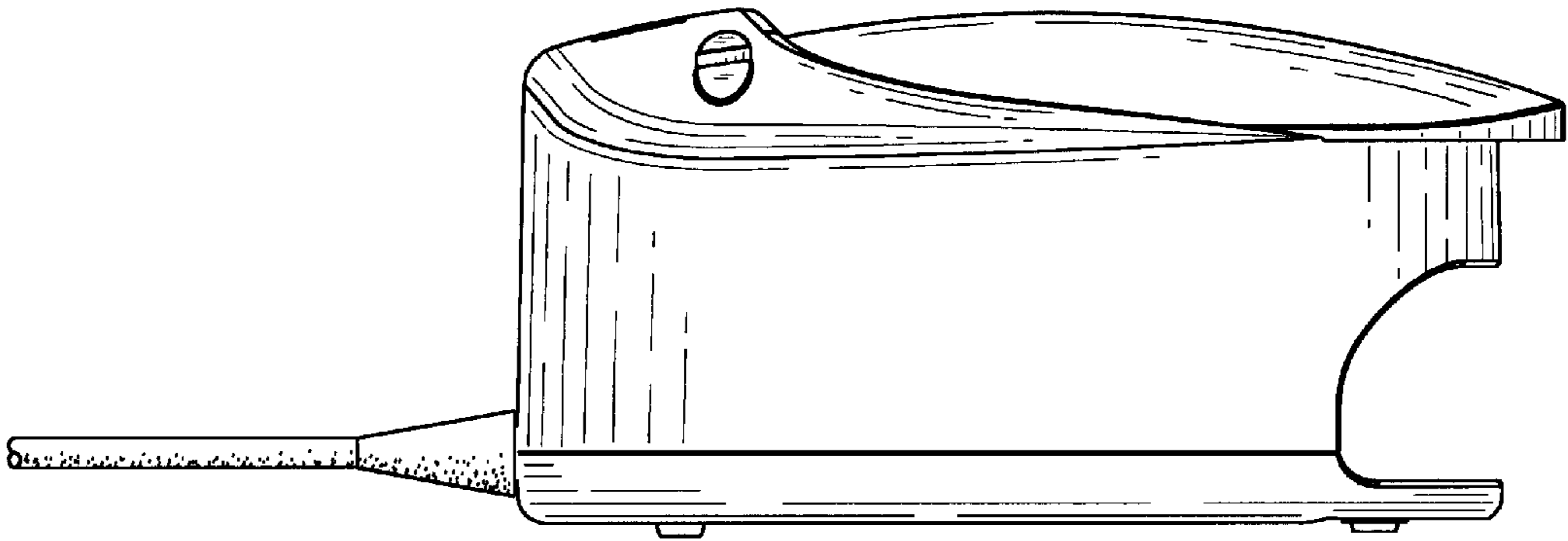


Fig. 5

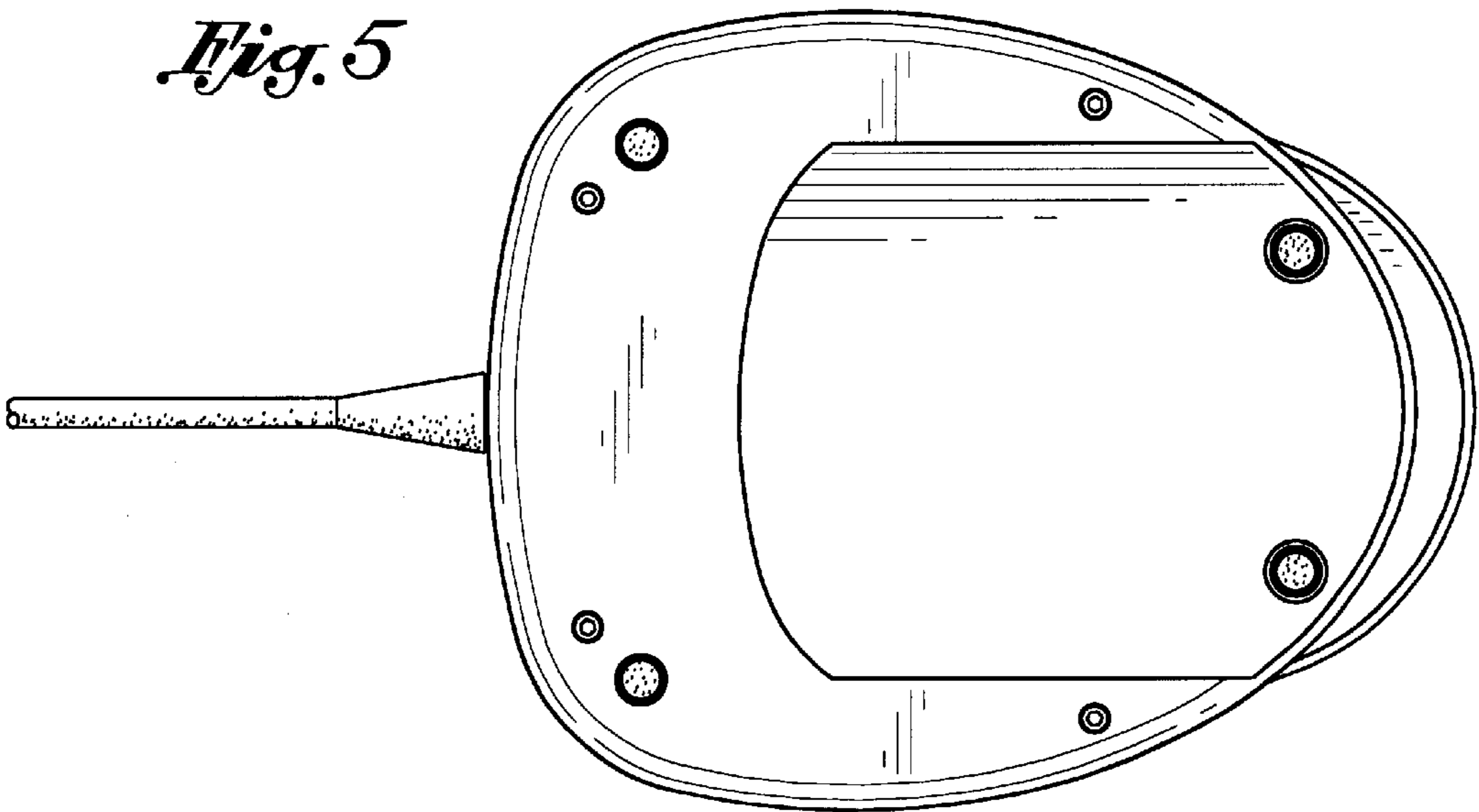


Fig. 6

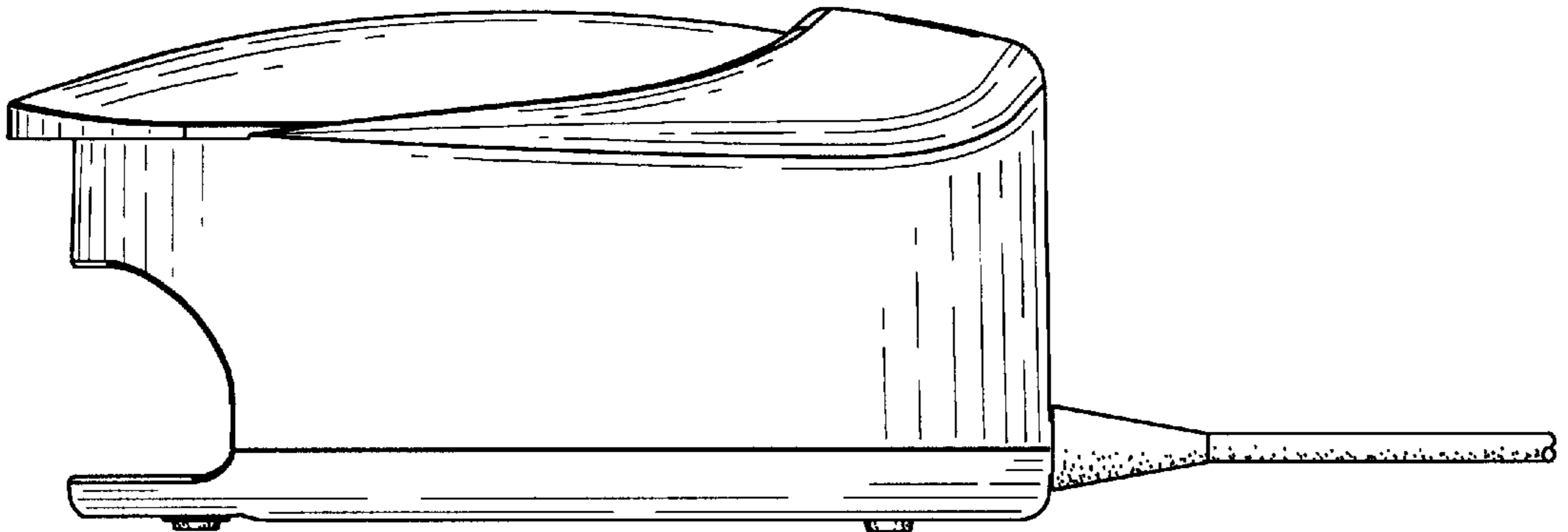


Fig. 7

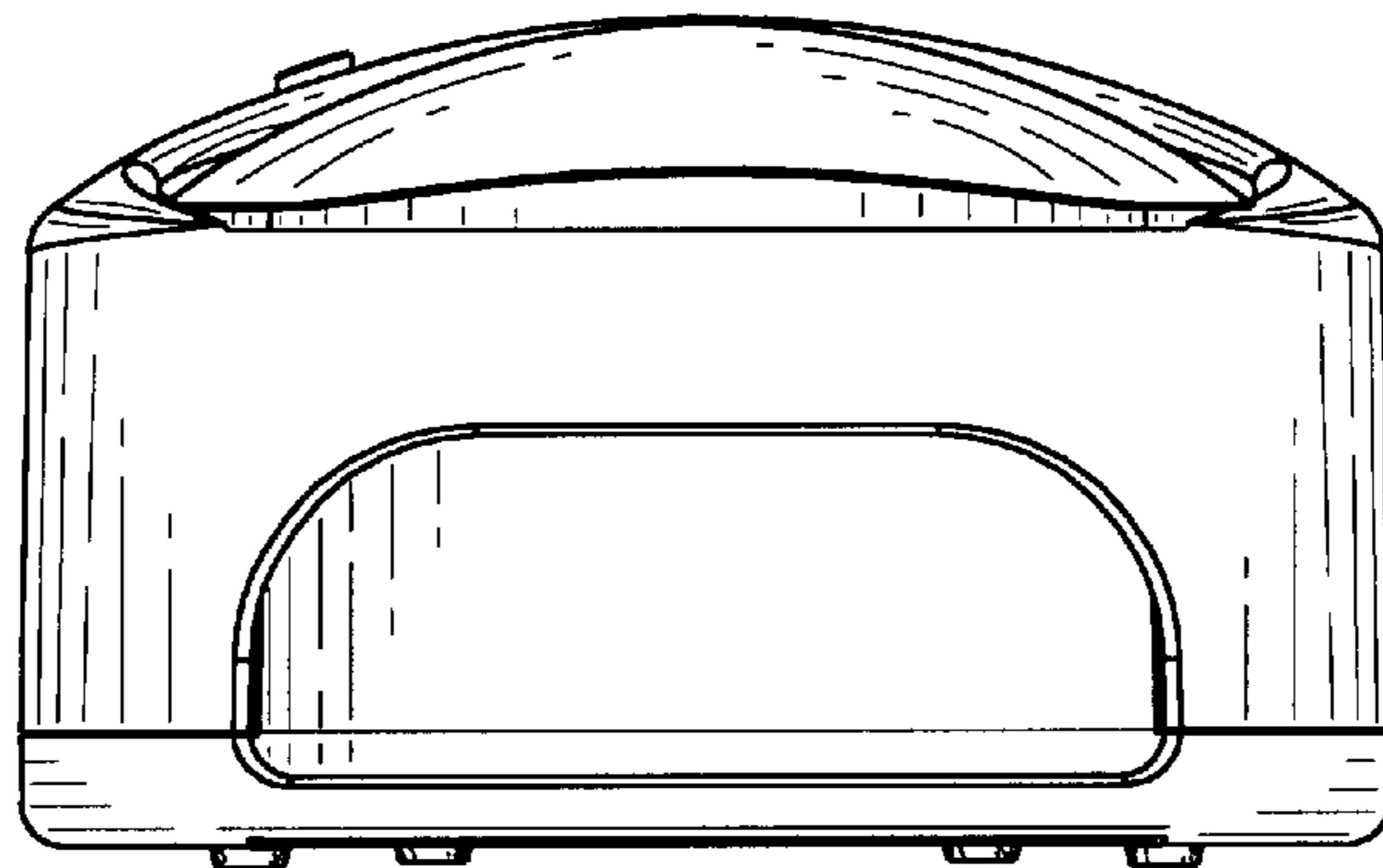


Fig. 8

