



US00D451232B1

(12) **United States Design Patent**  
**Dolan**

(10) **Patent No.:** **US D451,232 S**

(45) **Date of Patent:** **\*\* Nov. 27, 2001**

(54) **TORCHIERE LAMP WITH SIDE LIGHTS**

(76) **Inventor:** **Patrick S. Dolan**, 1901 NW. Upshur St., Portland, OR (US) 97209

(\*\*) **Term:** **14 Years**

(21) **Appl. No.:** **29/134,934**

(22) **Filed:** **Dec. 29, 2000**

(51) **LOC (7) Cl.** ..... **26-03**

(52) **U.S. Cl.** ..... **D26/102**

(58) **Field of Search** ..... D26/61-66, 92-112;  
362/410-414, 431

(56) **References Cited**

**U.S. PATENT DOCUMENTS**

- D. 389,934 \* 1/1998 Yeh ..... D26/65
- D. 432,704 9/1999 Swanson .

**OTHER PUBLICATIONS**

Granrich, Cerritos, CA., Cat. 1999, p. 8, Model G5736.  
Progress Lighting, Philadelphia, PA, Cat. 117, 1982, p. 52,  
Model TC5001.

Kichler, Cleveland, OH, Cat. 2000, 2000, p. 341, Model 64008.

Kichler, Cleveland, OH, Cat. 100, 2000, p. 155, Model 60046.

\* cited by examiner

*Primary Examiner*—Alan P. Douglas

*Assistant Examiner*—Linda Brooks

(57) **CLAIM**

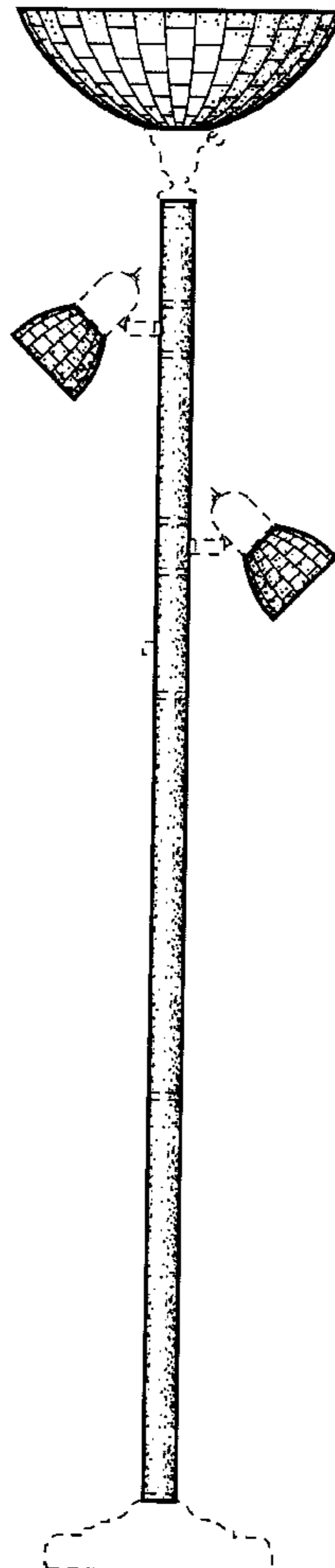
The ornamental design for a torchiere lamp with side lights, as shown and described.

**DESCRIPTION**

FIG. 1 is a full front elevational view thereof;  
FIG. 2 is an enlarged detailed perspective view thereof;  
FIG. 3. is an enlarged detailed front elevational thereof;  
FIG. 4 is an enlarged detailed right side view thereof;  
FIG. 5 is an enlarged detailed left side view thereof;  
FIG. 6 is an enlarged top plan view thereof; and,  
FIG. 7 is an enlarged bottom plan view thereof.

The broken lines shown in the drawing are environmental only and form no part of the claimed design.

**1 Claim, 7 Drawing Sheets**



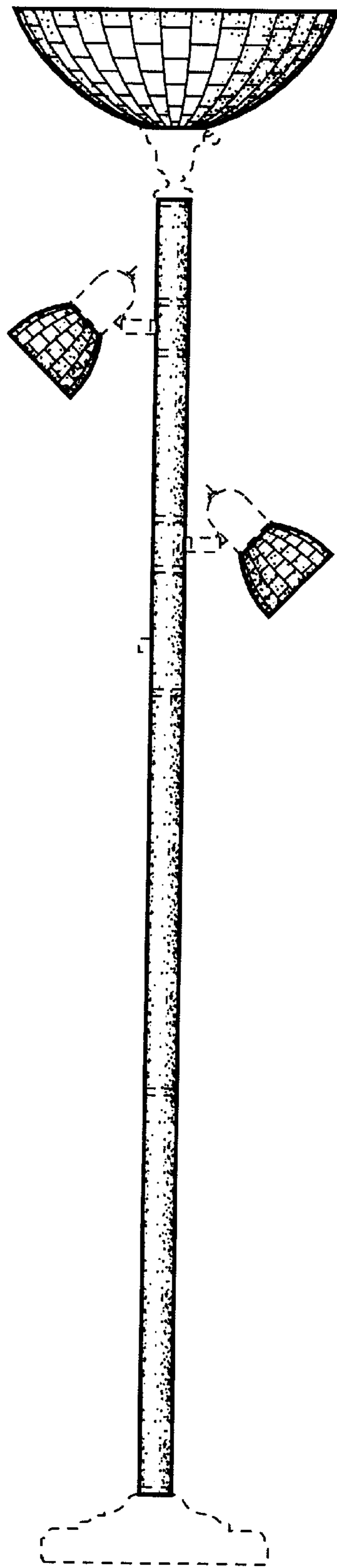


FIG. 1

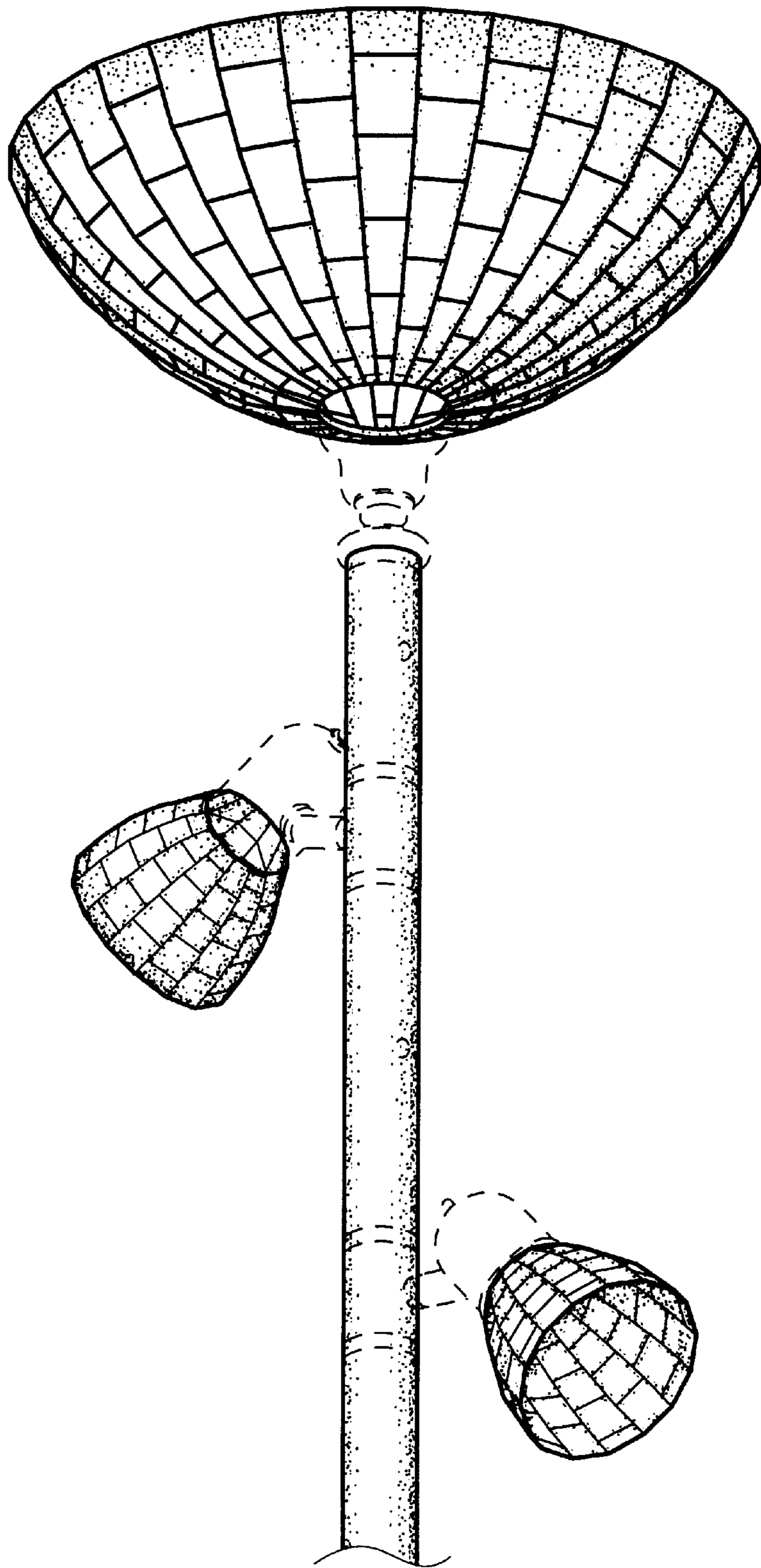


FIG. 2

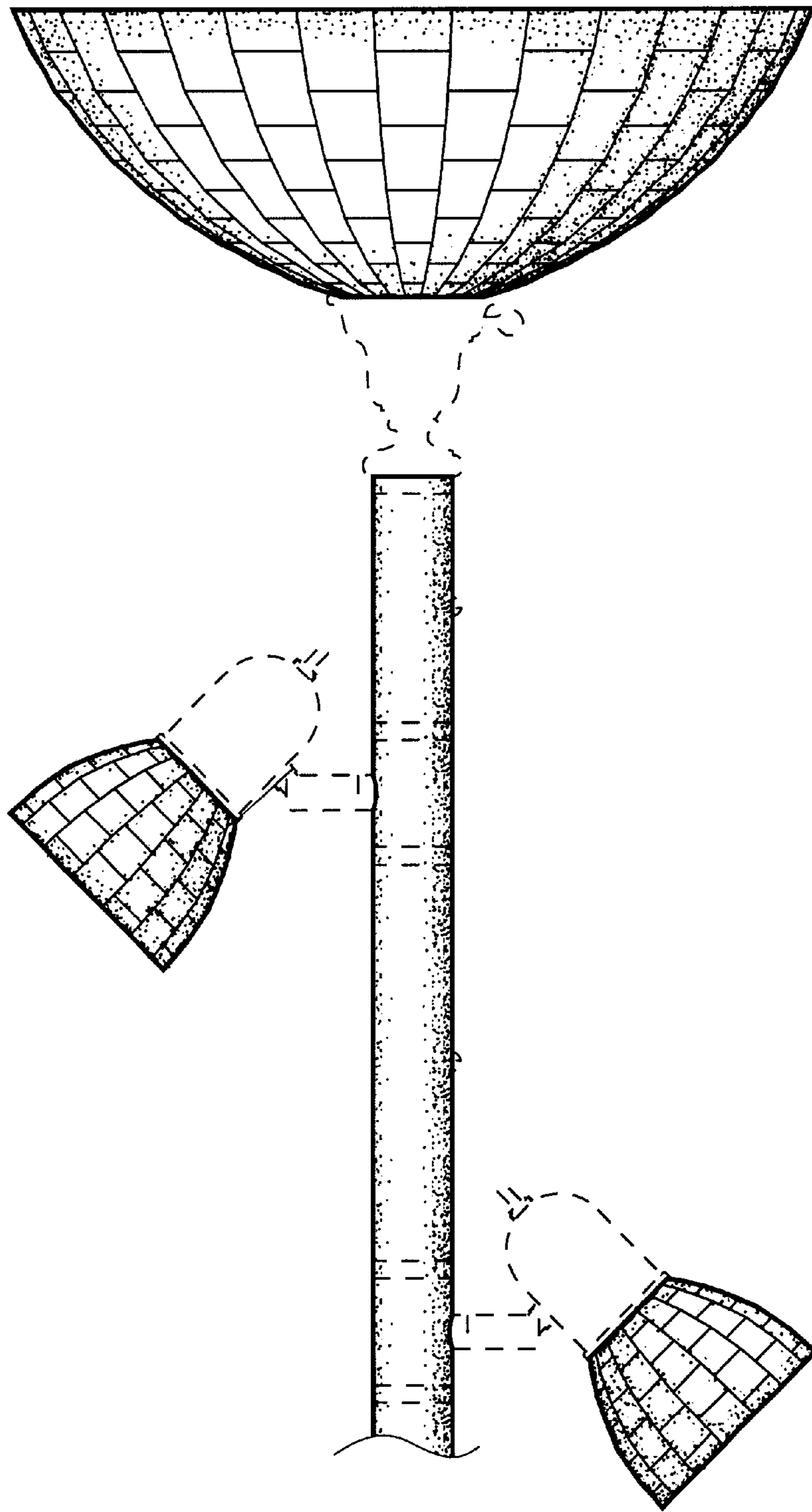


FIG. 3

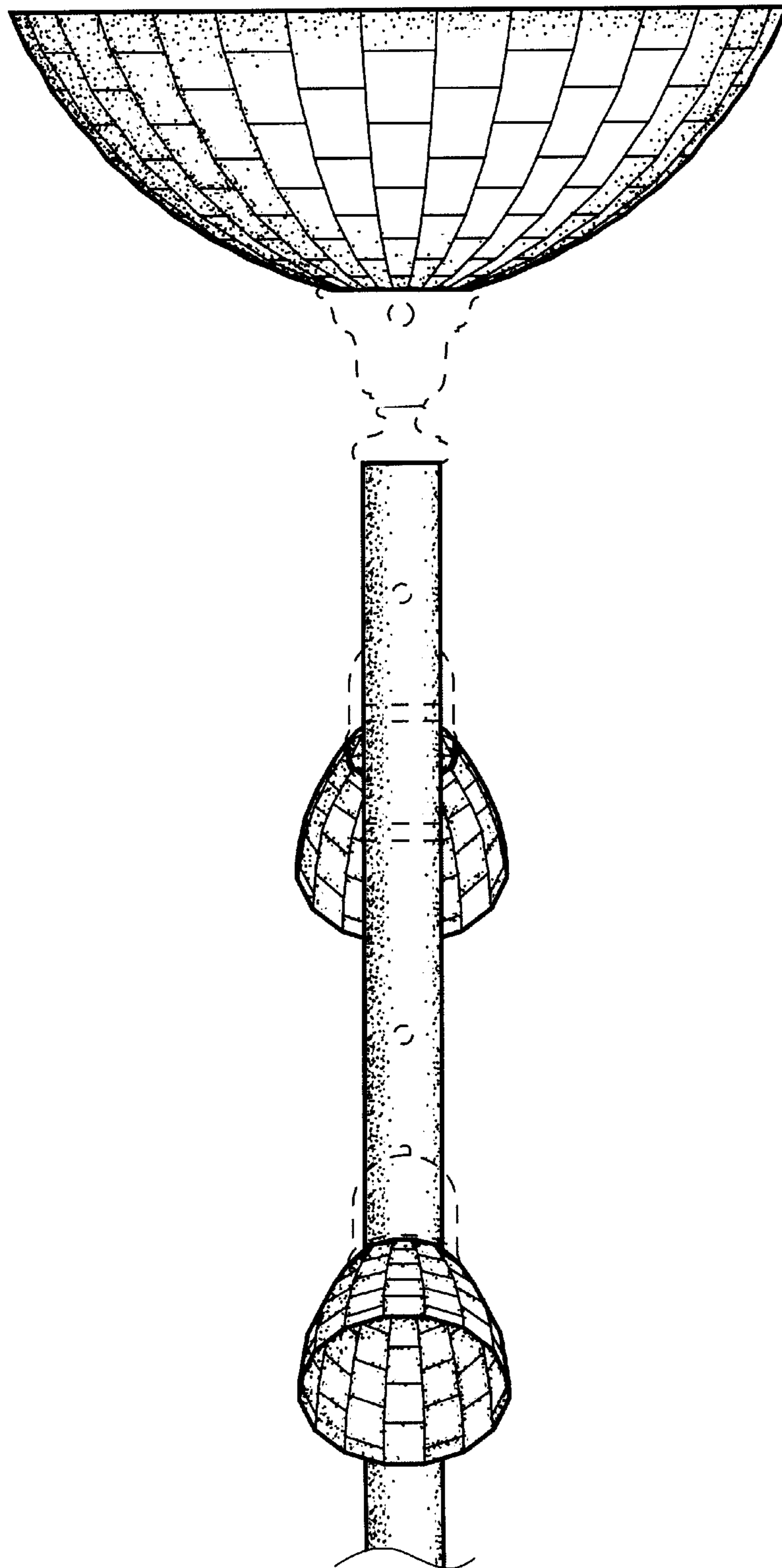


FIG. 4



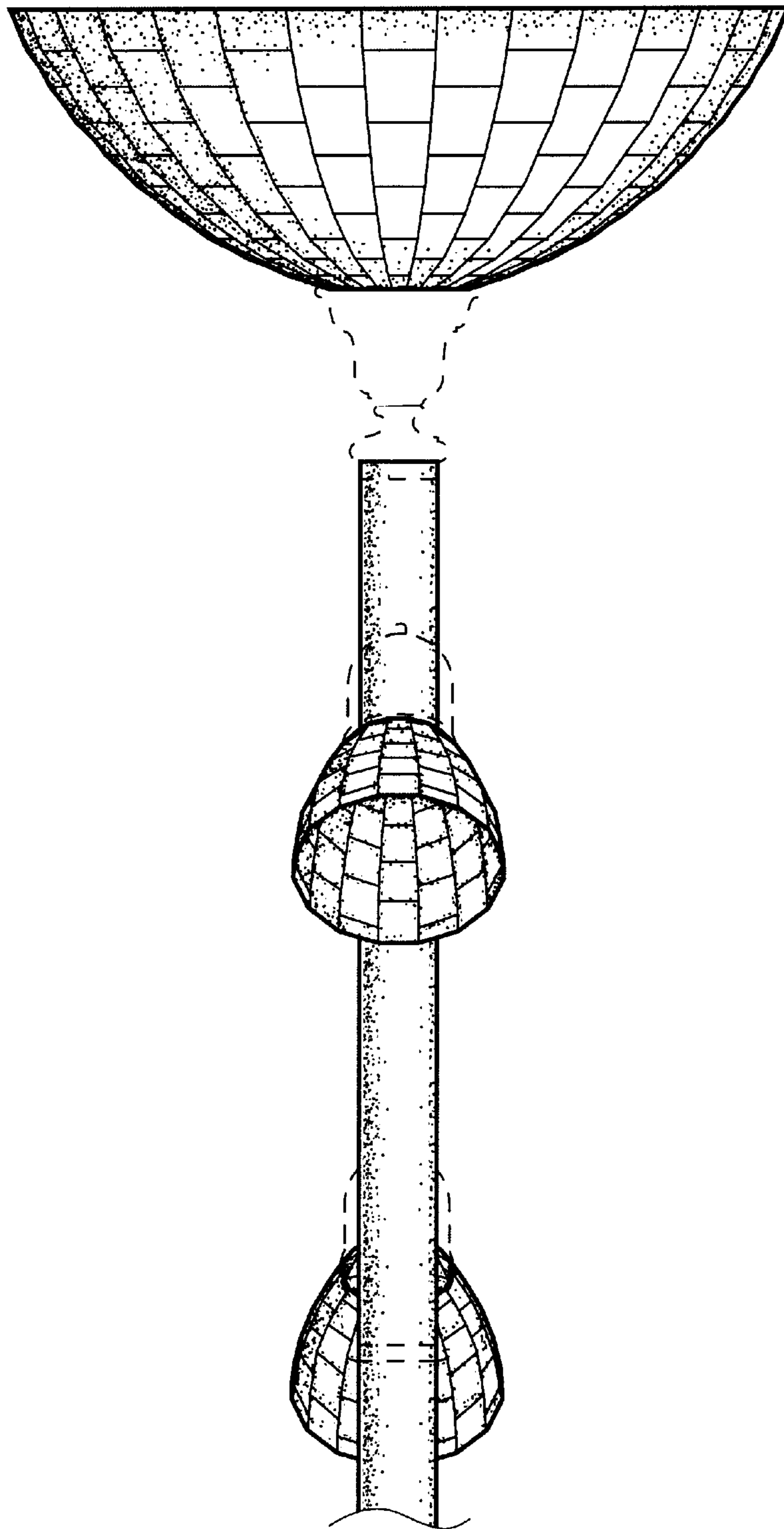
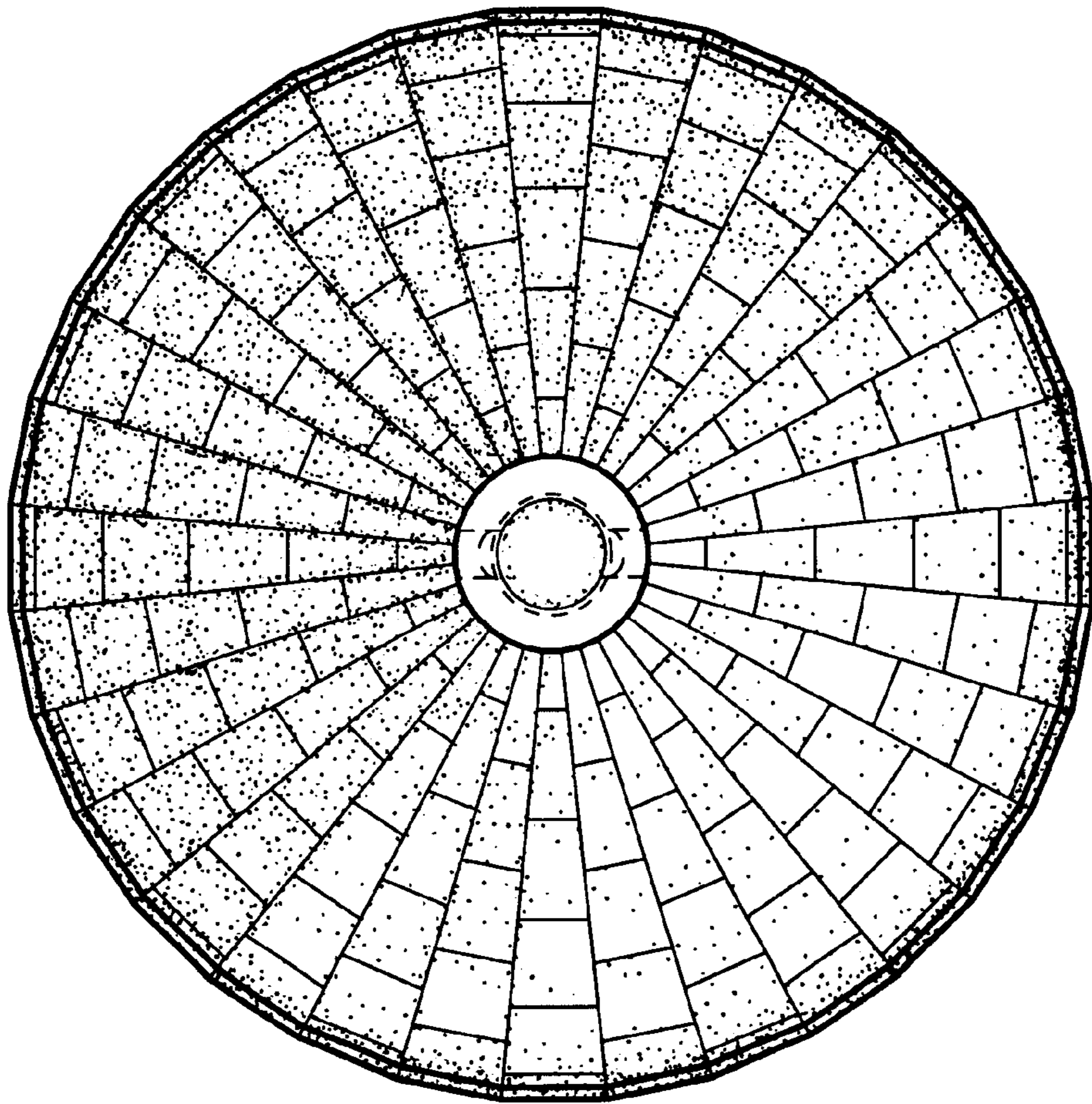


FIG. 5



**FIG. 6**

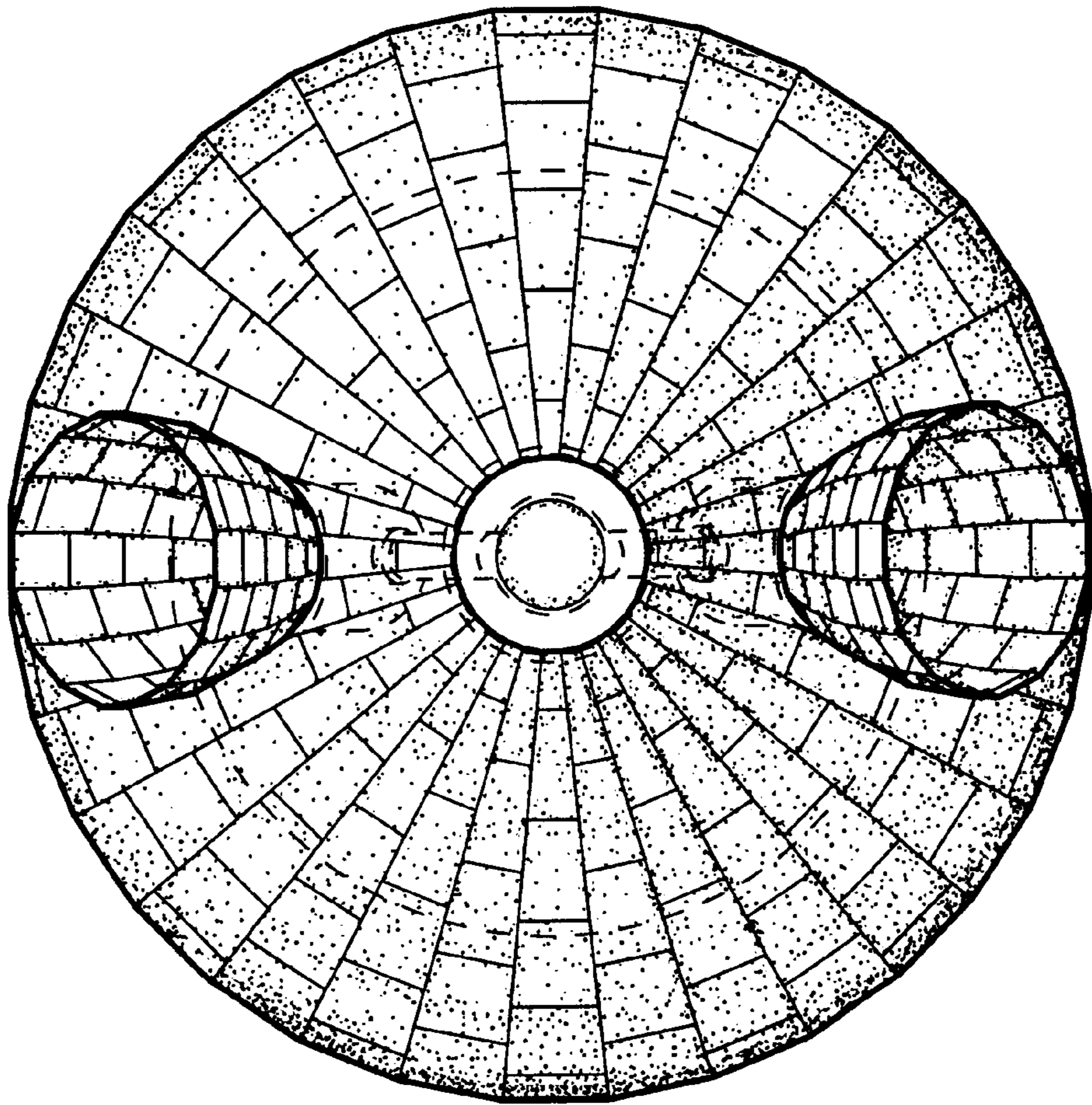


FIG. 7