



US00D451228B1

(12) **United States Design Patent**
Poon

(10) **Patent No.:** **US D451,228 S**

(45) **Date of Patent:** **** Nov. 27, 2001**

(54) **FLUORESCENT LAMP**

(75) Inventor: **Tit Wing Poon**, Shatin (CN)

(73) Assignee: **Flying Dragon Development Ltd.**,
Shatin (CN)

(**) Term: **14 Years**

(21) Appl. No.: **29/138,352**

(22) Filed: **Mar. 12, 2001**

(30) **Foreign Application Priority Data**

Sep. 11, 2000 (HK) 0011241

(51) **LOC (7) Cl.** **26-05**

(52) **U.S. Cl.** **D26/76**

(58) **Field of Search** D26/75-79, 26;
362/217, 218, 219, 200, 221, 222, 223

(56) **References Cited**

U.S. PATENT DOCUMENTS

D. 206,286 * 11/1966 Ostin D26/75

D. 246,330 * 11/1977 Krase et al. D26/75

* cited by examiner

Primary Examiner—Susan J. Lucas

(74) *Attorney, Agent, or Firm*—Alix, Yale & Ristas, LLP

(57) **CLAIM**

The ornamental design for a fluorescent lamp, as shown and described.

DESCRIPTION

FIG. 1 is a front perspective view of the fluorescent lamp showing my new design;

FIG. 2 is a front perspective view of the fluorescent lamp of FIG. 1 with parts thereof in an alternative position;

FIG. 3 is a front view of the fluorescent lamp of FIG. 1;

FIG. 4 is a rear view of the fluorescent lamp of FIG. 1;

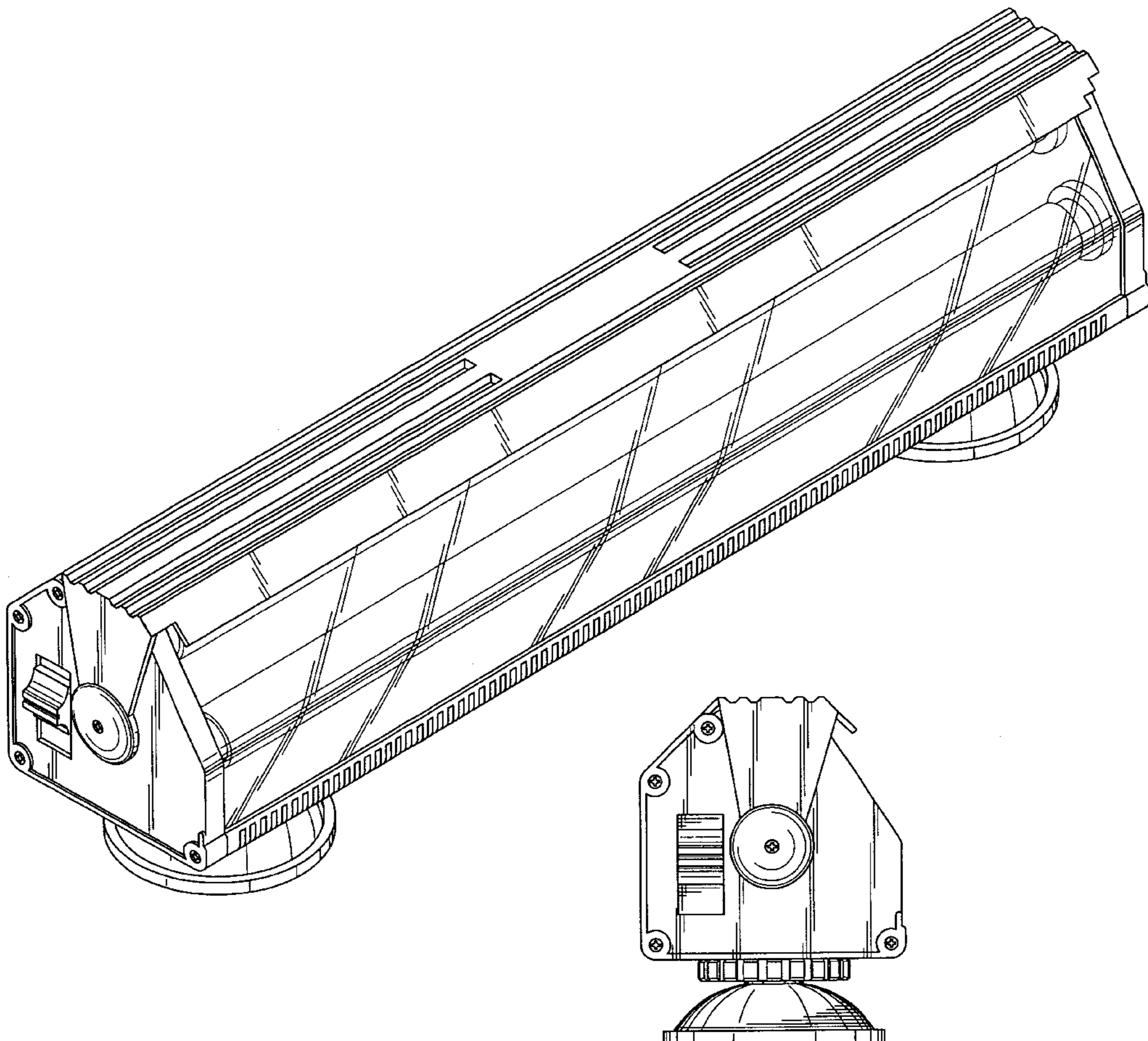
FIG. 5 is a left side view of the fluorescent lamp of FIG. 1;

FIG. 6 is a right side view of the fluorescent lamp of FIG. 1;

FIG. 7 is a top plan view of the fluorescent lamp of FIG. 1; and,

FIG. 8 is a bottom plan view of the fluorescent lamp of FIG. 1.

1 Claim, 5 Drawing Sheets



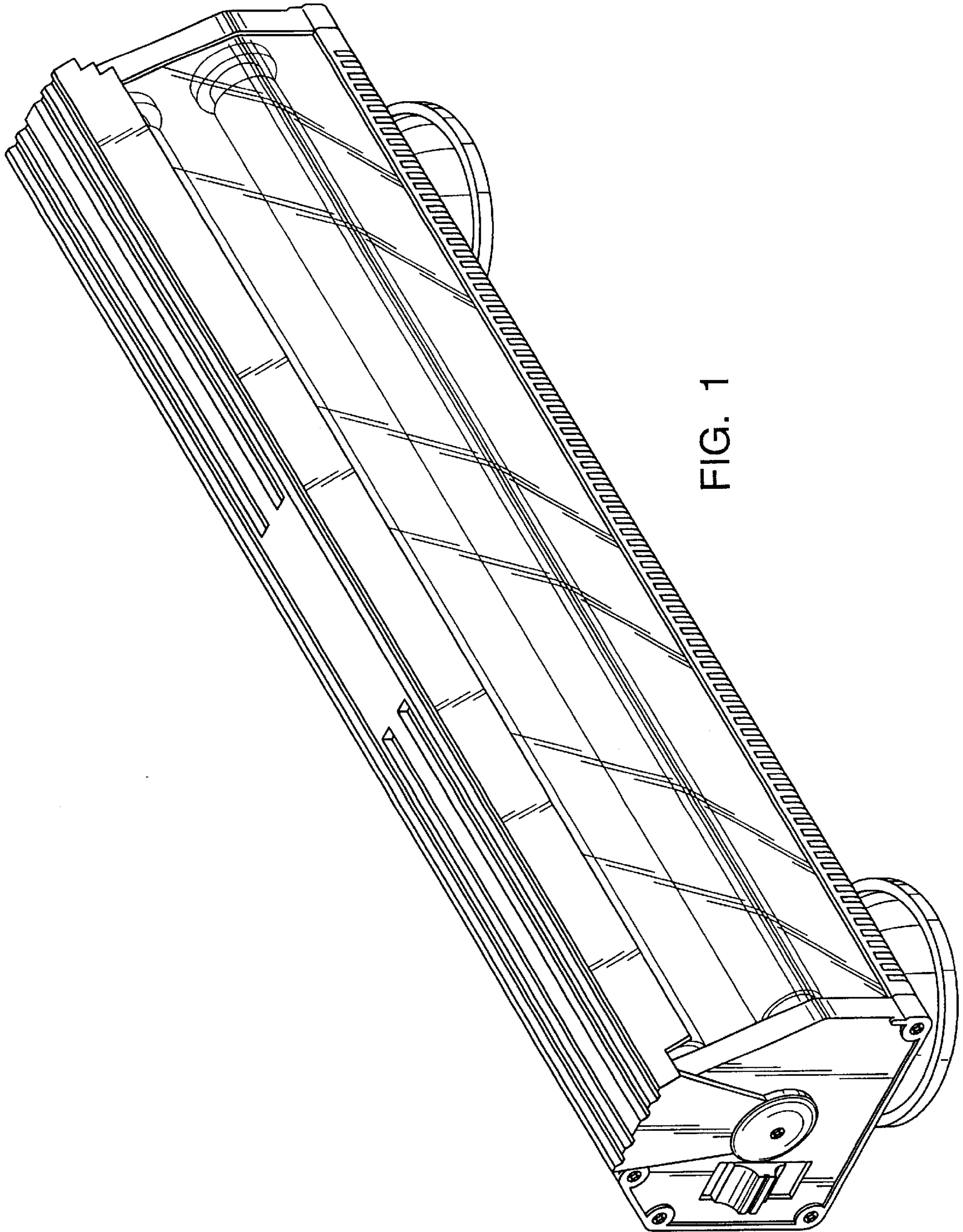
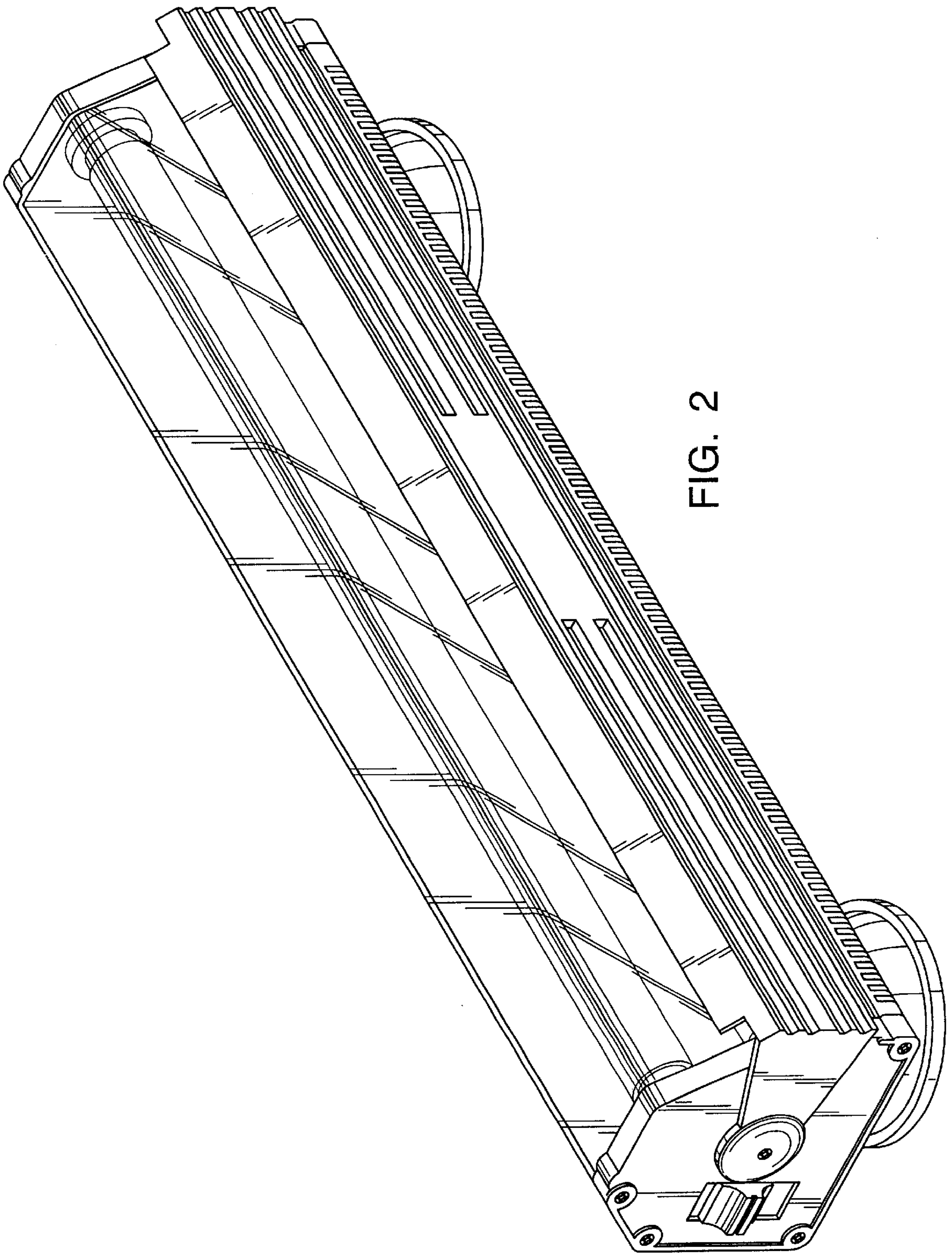


FIG. 1



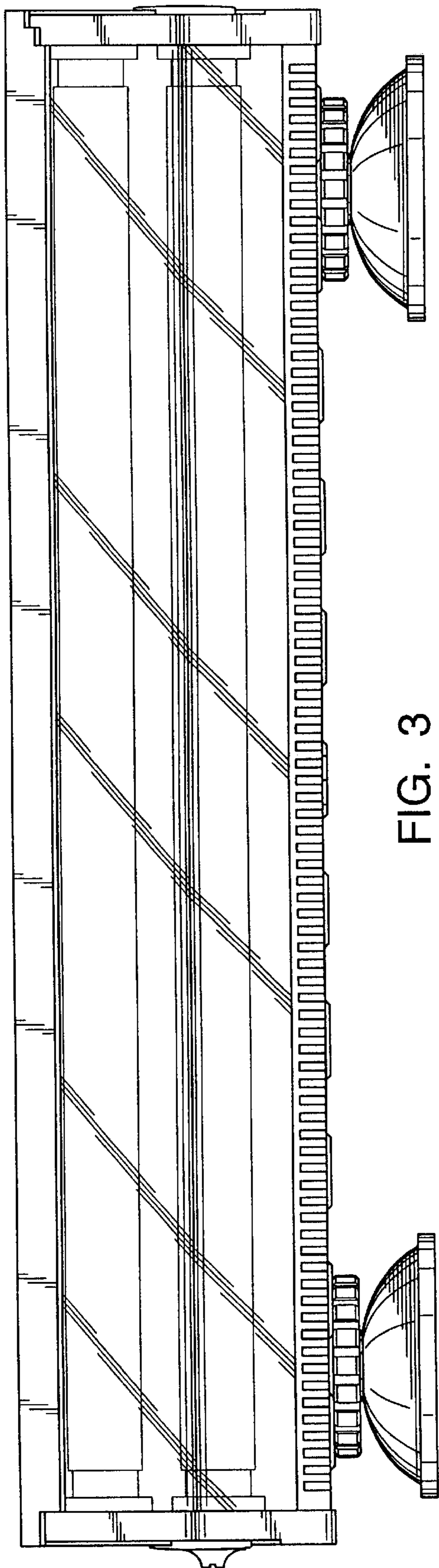


FIG. 3

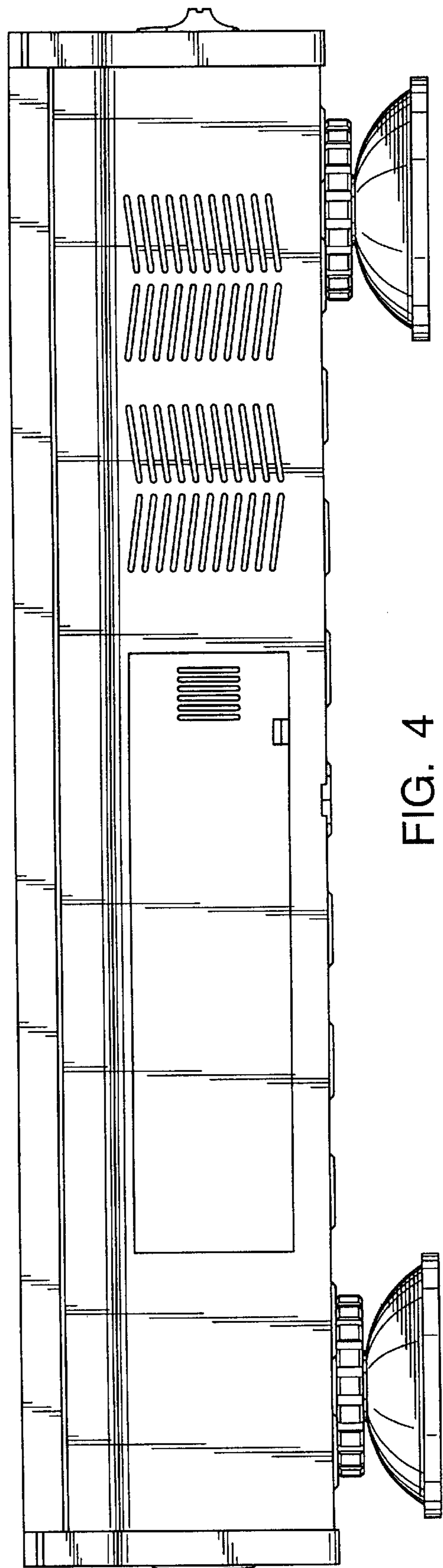


FIG. 4

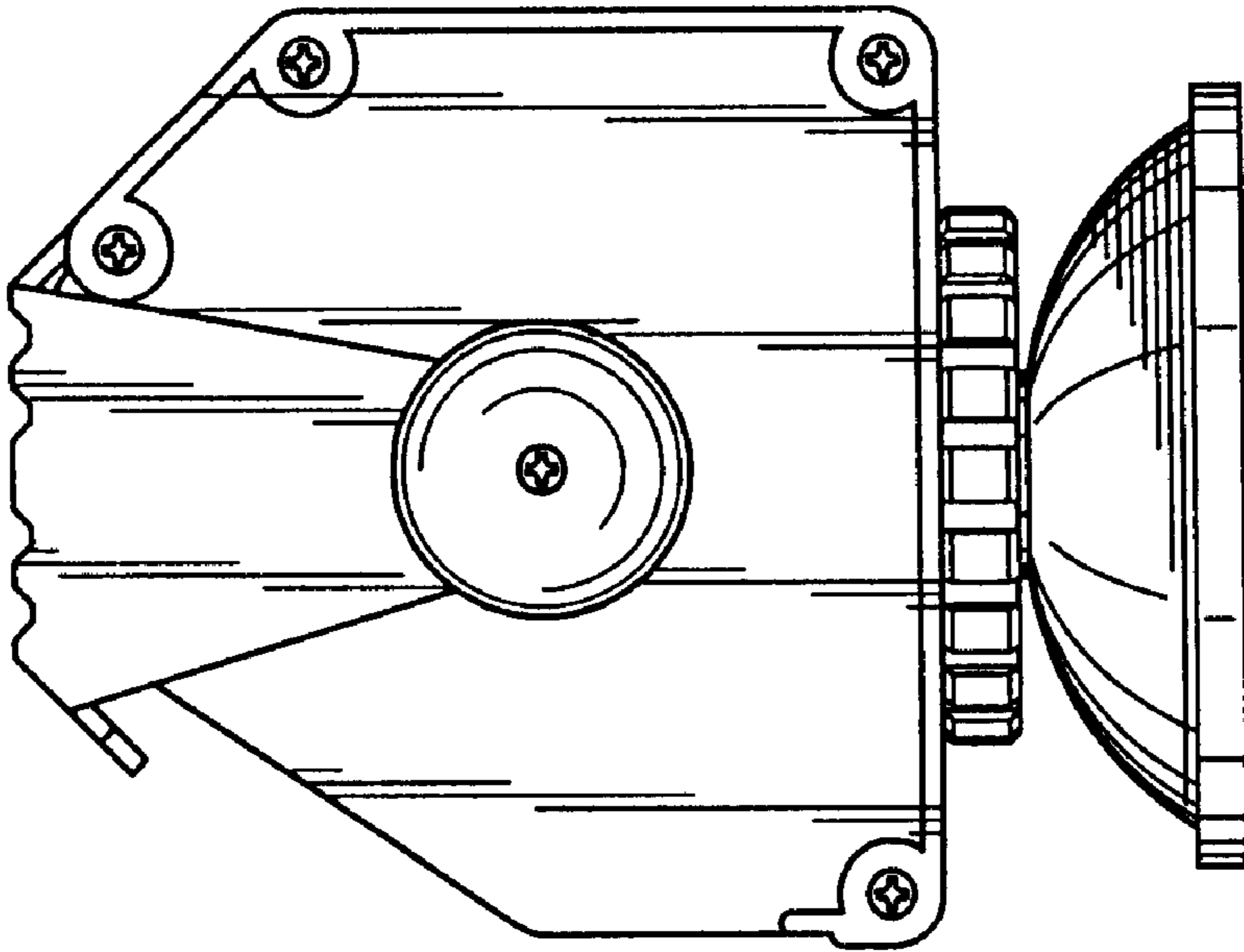


FIG. 6

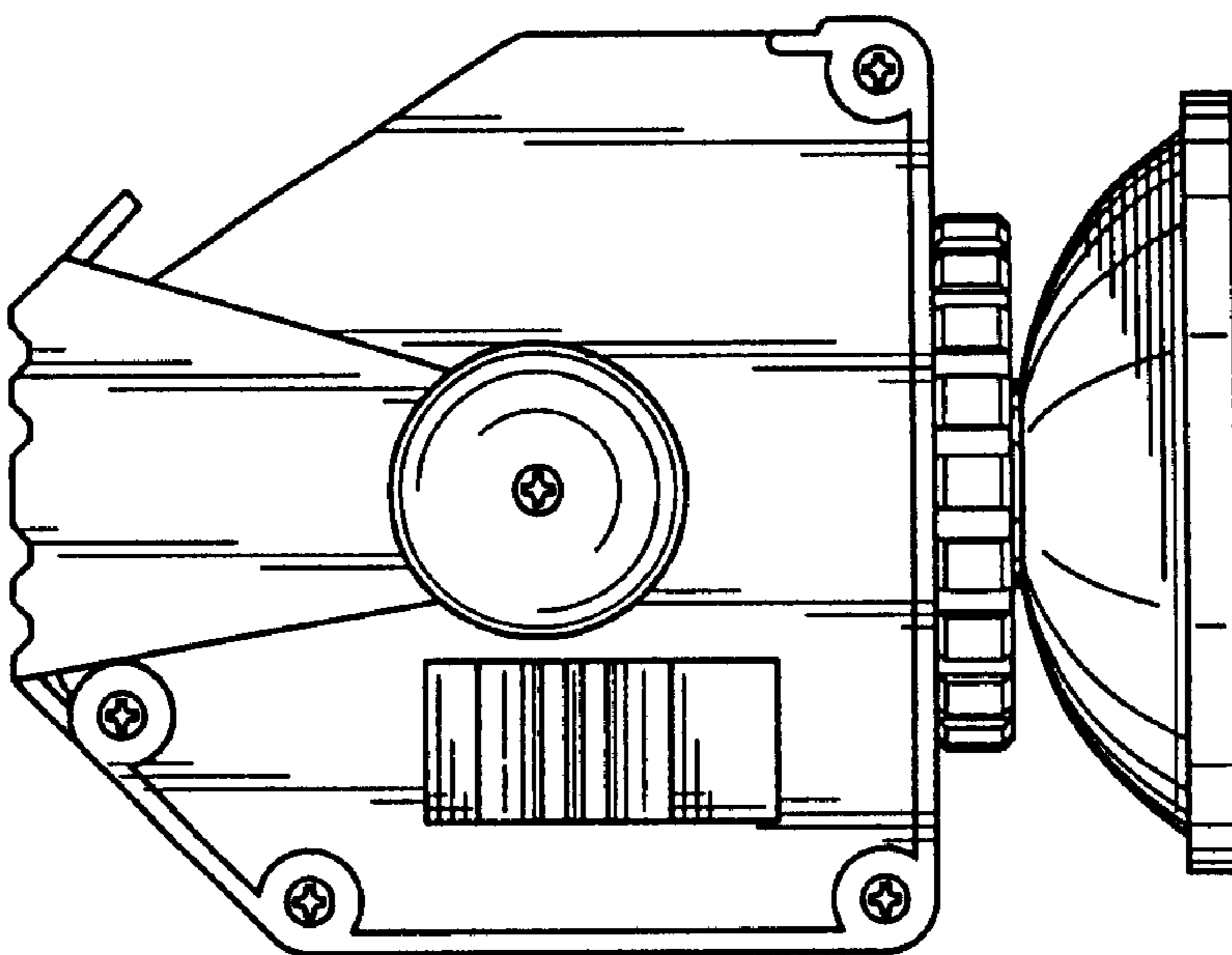


FIG. 5

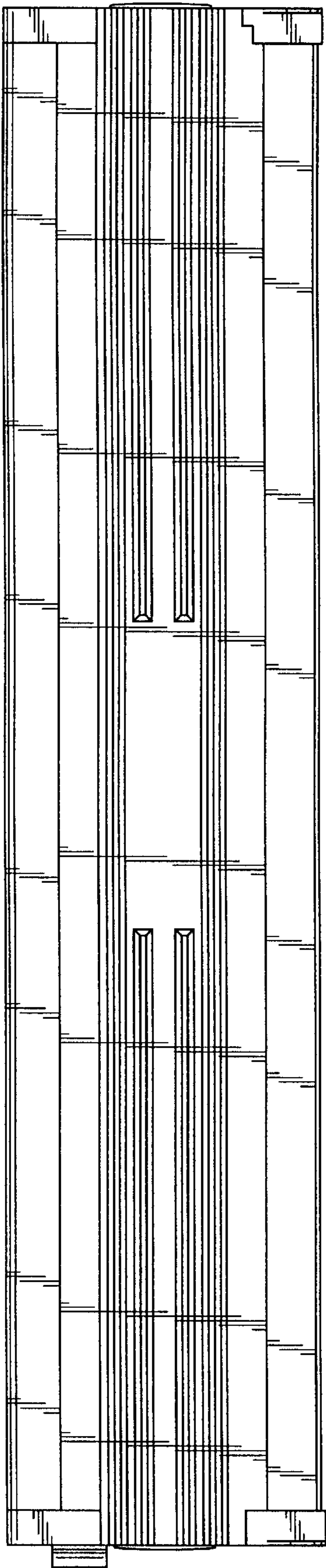


FIG. 7

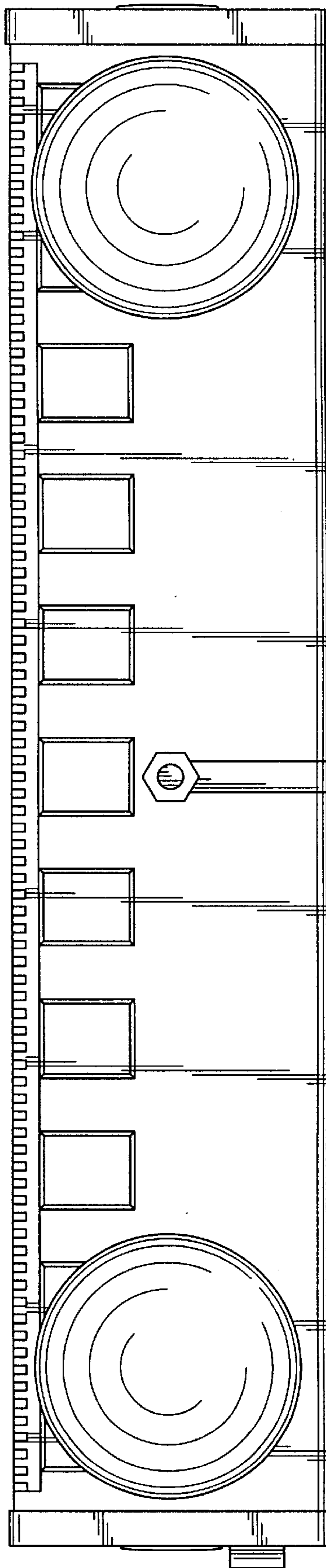


FIG. 8