



US00D451227B1

(12) **United States Design Patent**
Orellana et al.

(10) **Patent No.: US D451,227 S**

(45) **Date of Patent: ** *Nov. 27, 2001**

(54) **OUTDOOR LUMINAIRE**

(75) Inventors: **Angel Orellana**, Los Angeles; **Joseph Straus**, Woodland Hills, both of CA (US)

(73) Assignee: **U.S. Pole Company, Inc.**, Sun Valley, CA (US)

(*) Notice: This patent is subject to a terminal disclaimer.

(**) Term: **14 Years**

(21) Appl. No.: **29/118,573**

(22) Filed: **Feb. 10, 2000**

(51) **LOC (7) Cl. 26-05**

(52) **U.S. Cl. D26/67**

(58) **Field of Search** D26/67-71, 87, D26/92; 362/147, 431, 432, 153, 153.1

(56) **References Cited**

U.S. PATENT DOCUMENTS

D. 100,102	*	6/1936	Halvorson	D26/85
D. 165,326	*	12/1951	Cross	D26/71
D. 248,503	*	7/1978	Grindle	D26/67
D. 321,406	*	11/1991	Schlesselman	D26/67
1,856,073		5/1932	Graham	.	
3,448,259		6/1969	Nitsch et al.	240/7.1
3,679,891		7/1972	Quack	240/52
5,975,724		11/1999	Pallanes	362/310

OTHER PUBLICATIONS

“Architectural Area Lighting brochure entitled Promenade Series” pp. 1-12, publication date unknown, but applicants are willing to concede that this is prior art.
Thomas EMCO Lighting brochure, pp. 1-11, Feb. 1979.

“PCT International Search Report,” Intl. Application No. PCT/US99/22247, Dec. 15, 1999 (4 pages).

* cited by examiner

Primary Examiner—Freda Nunn

(74) *Attorney, Agent, or Firm*—Christie, Parker & Hale, LLP

(57) **CLAIM**

The ornamental design for an outdoor luminaire, as shown and described.

DESCRIPTION

FIG. 1 is a perspective view of a first embodiment of the outdoor luminaire;

FIG. 2 is a side view of the first embodiment shown in FIG. 1 the opposite side being identical;

FIG. 3 is a top view of the first embodiment shown in FIG. 1;

FIG. 4 is a bottom view of the first embodiment shown in FIG. 1;

FIG. 5 is a perspective view of a second embodiment of the invention;

FIG. 6 is a side view of the second embodiment shown in FIG. 5 the opposite side being identical;

FIG. 7 is a bottom view of the second embodiment shown in FIG. 5, a top view of the second embodiment being identical to FIG. 3;

FIG. 8 is a perspective view of a third embodiment of the invention;

FIG. 9 is a side view of the third embodiment of the invention shown in FIG. 8 the opposite side being identical;

and,

FIG. 10 is a bottom view of the third embodiment shown in FIG. 8, a top view of the third embodiment being identical to FIG. 3.

The broken lines are shown in the views for illustrative purposes only and form no part of the claimed design.

1 Claim, 10 Drawing Sheets

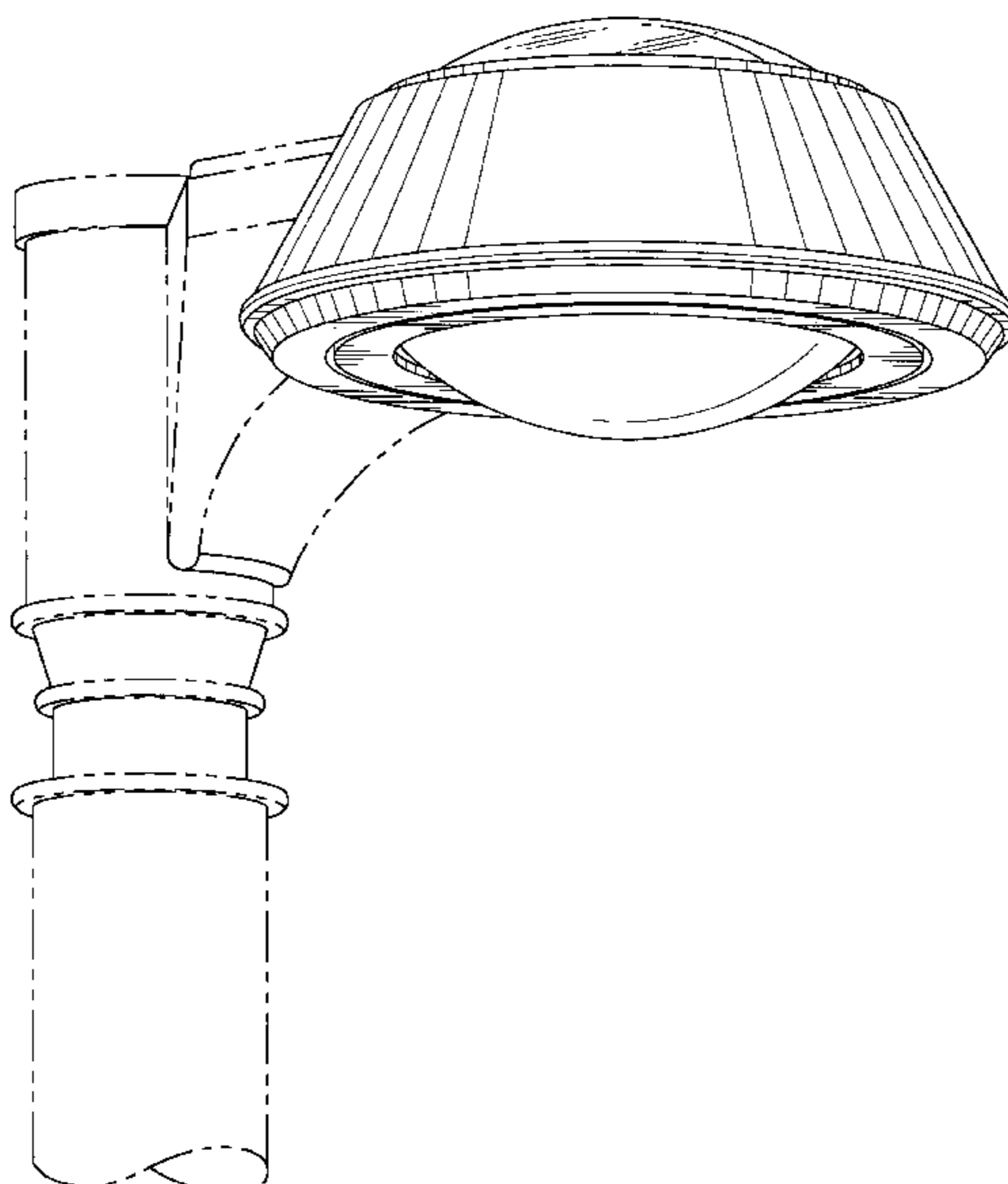


FIG. 1

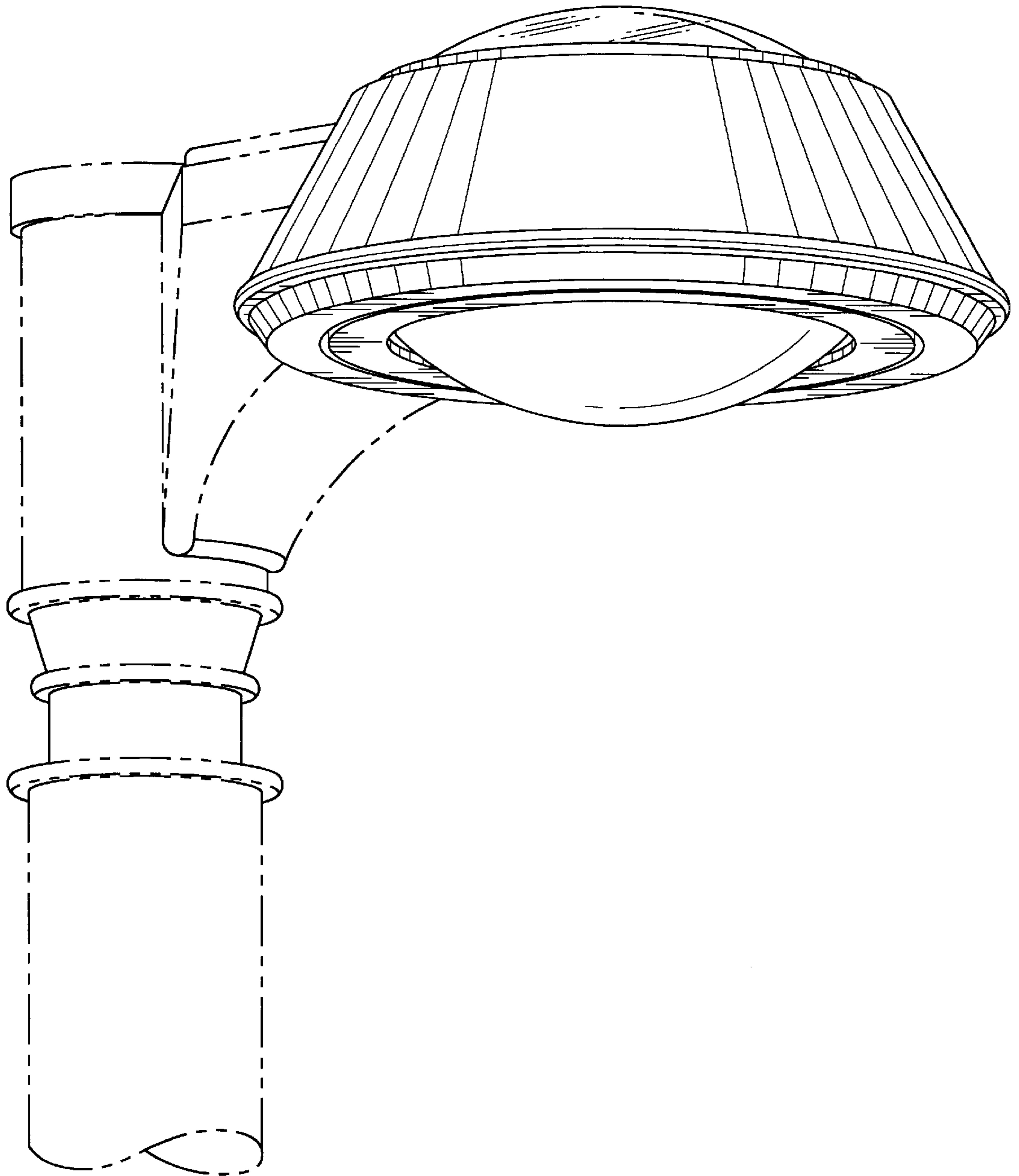


FIG. 2

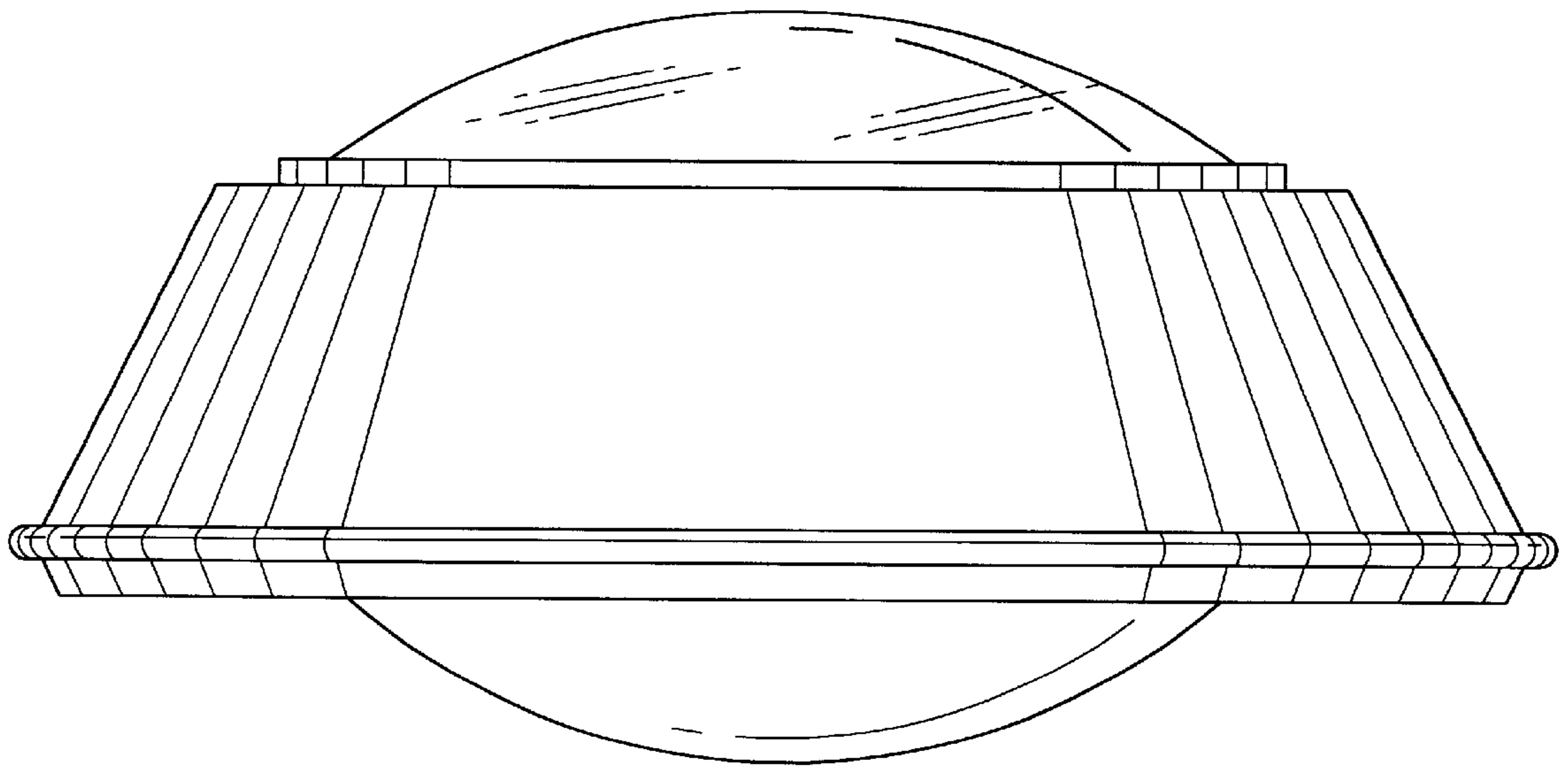


FIG. 3

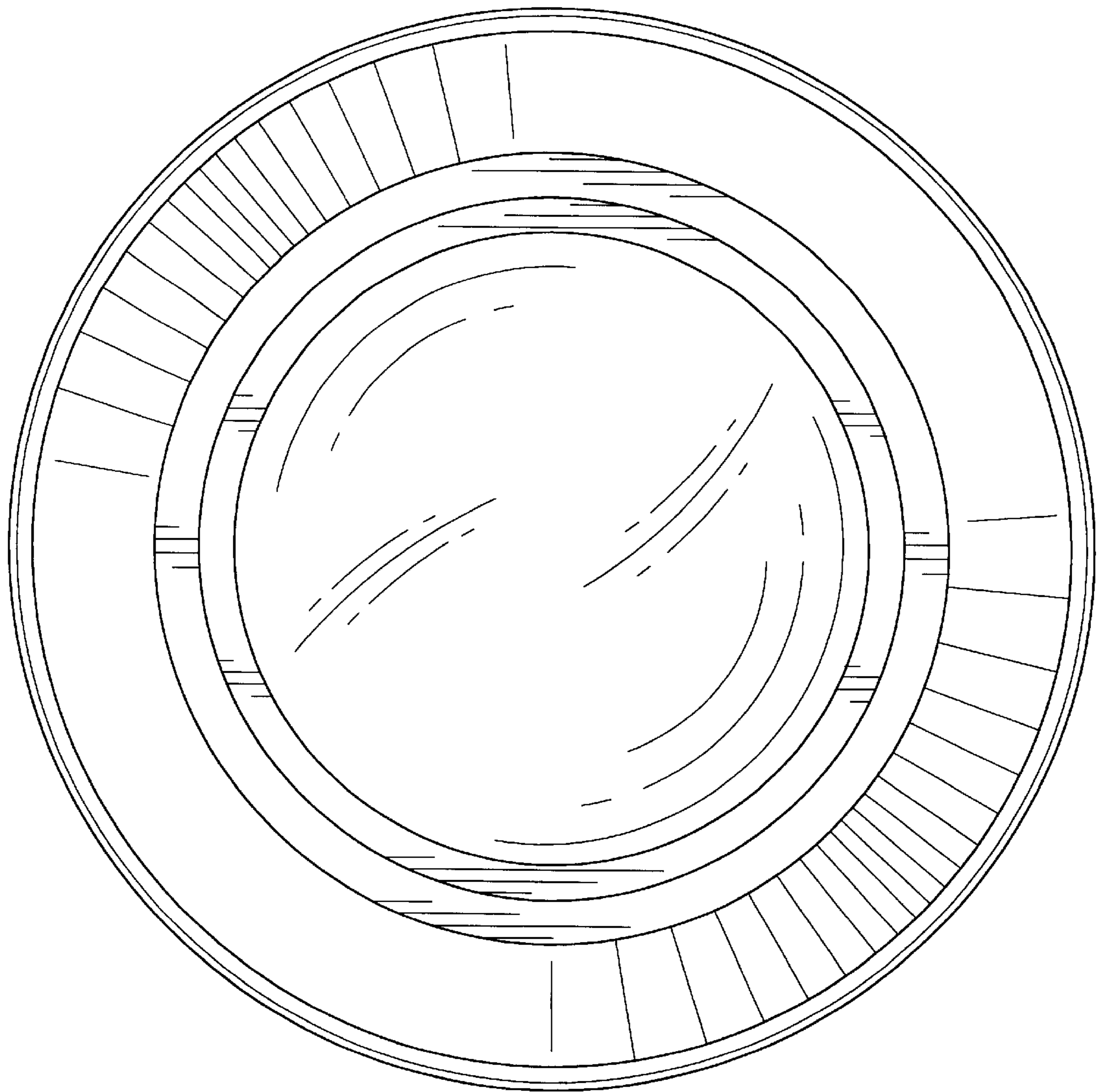


FIG. 4

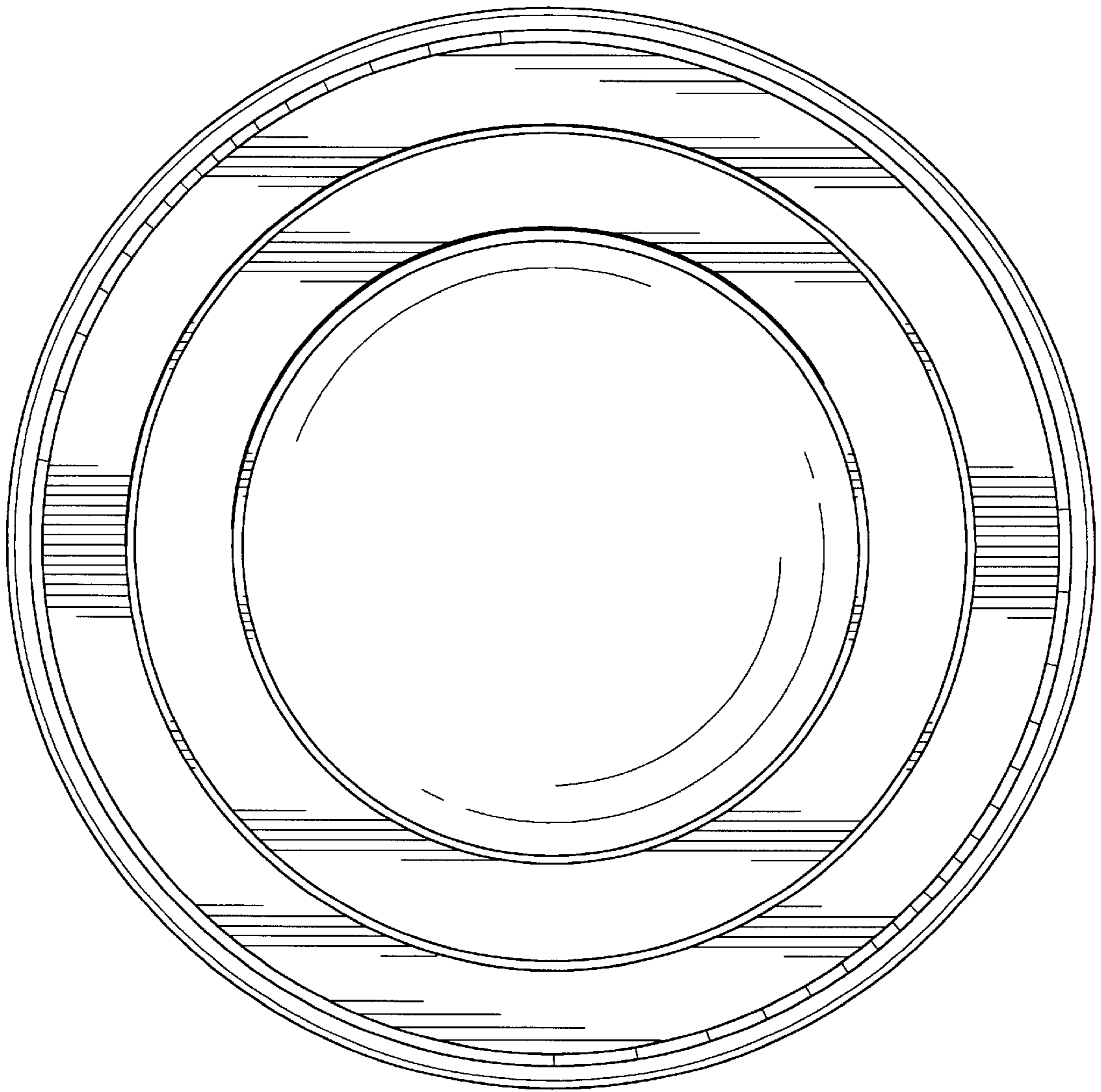


FIG. 5

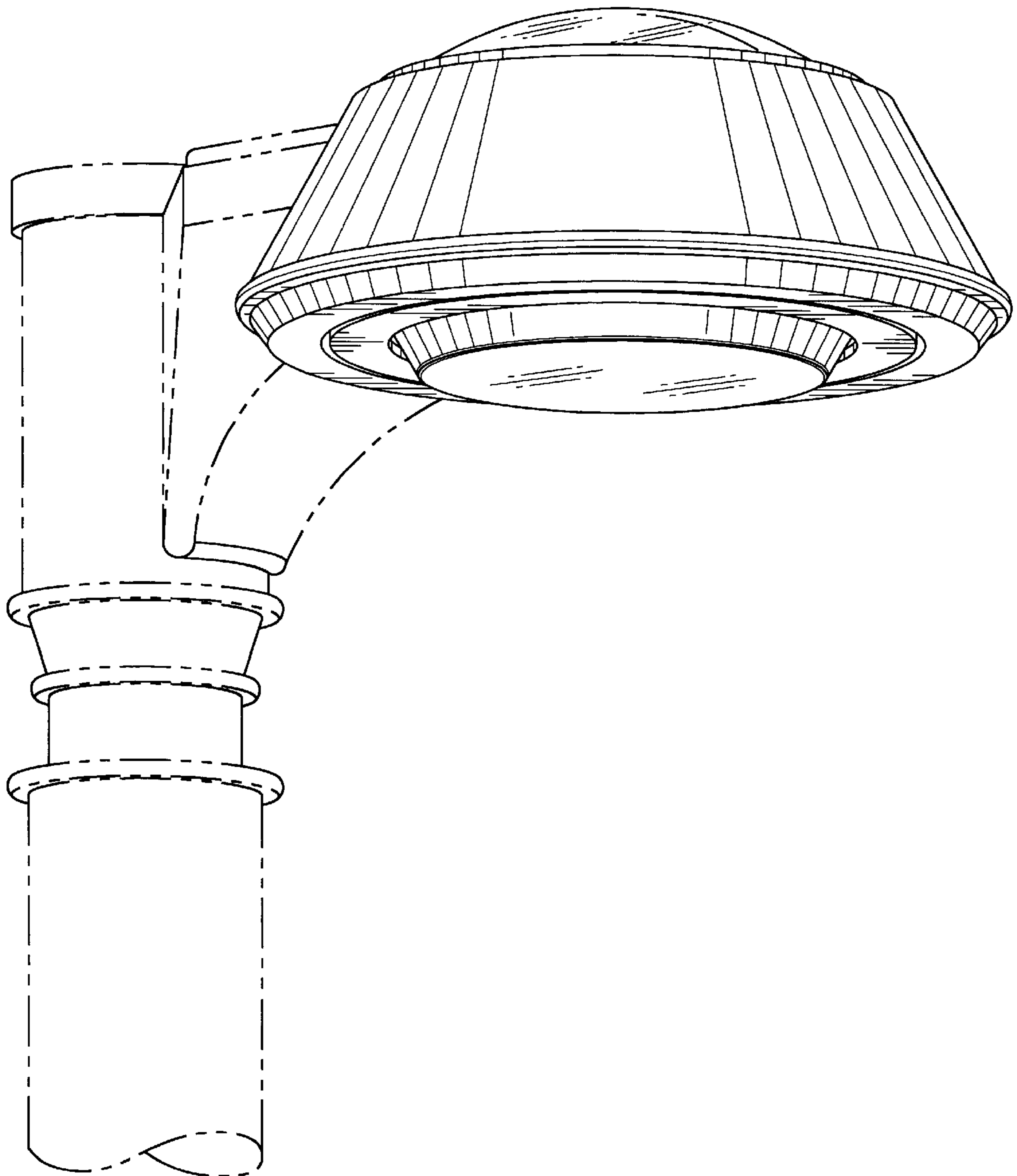


FIG. 6

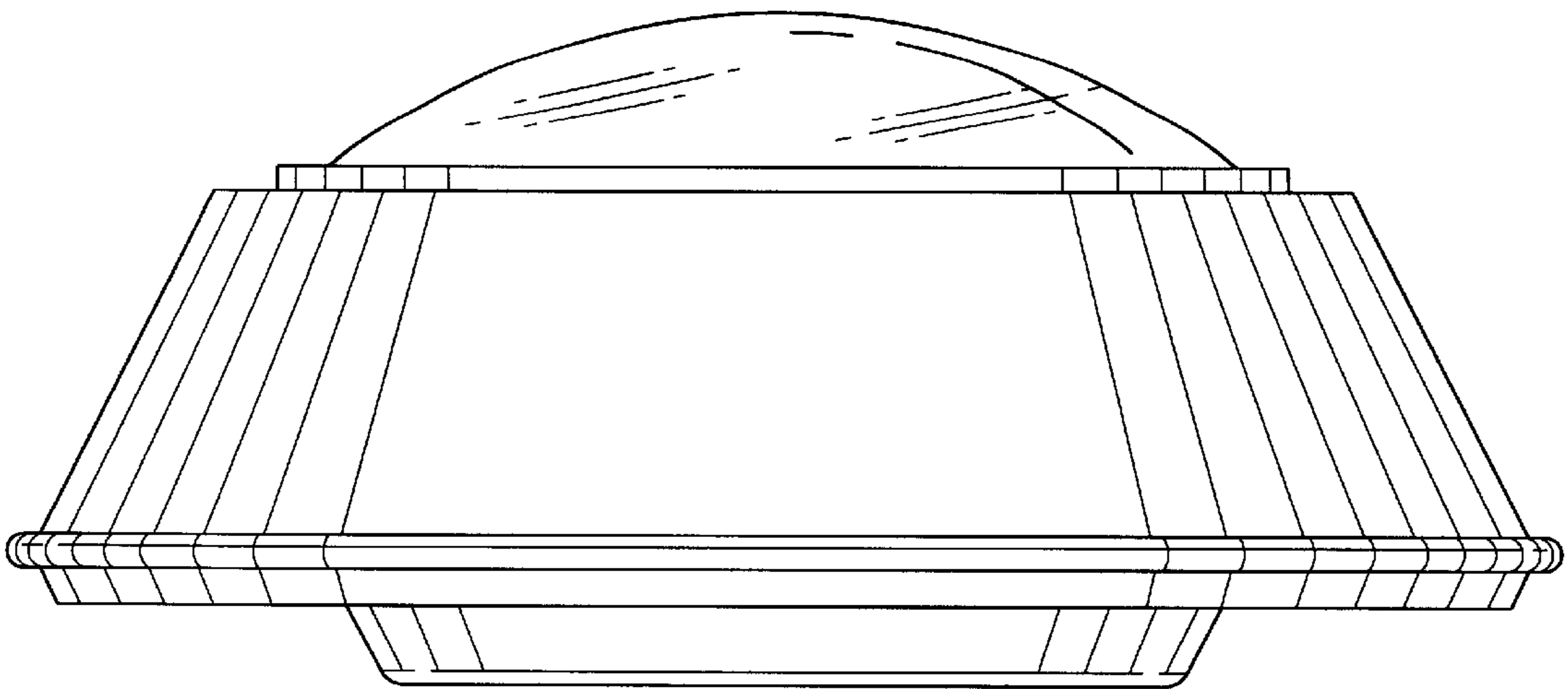


FIG. 7

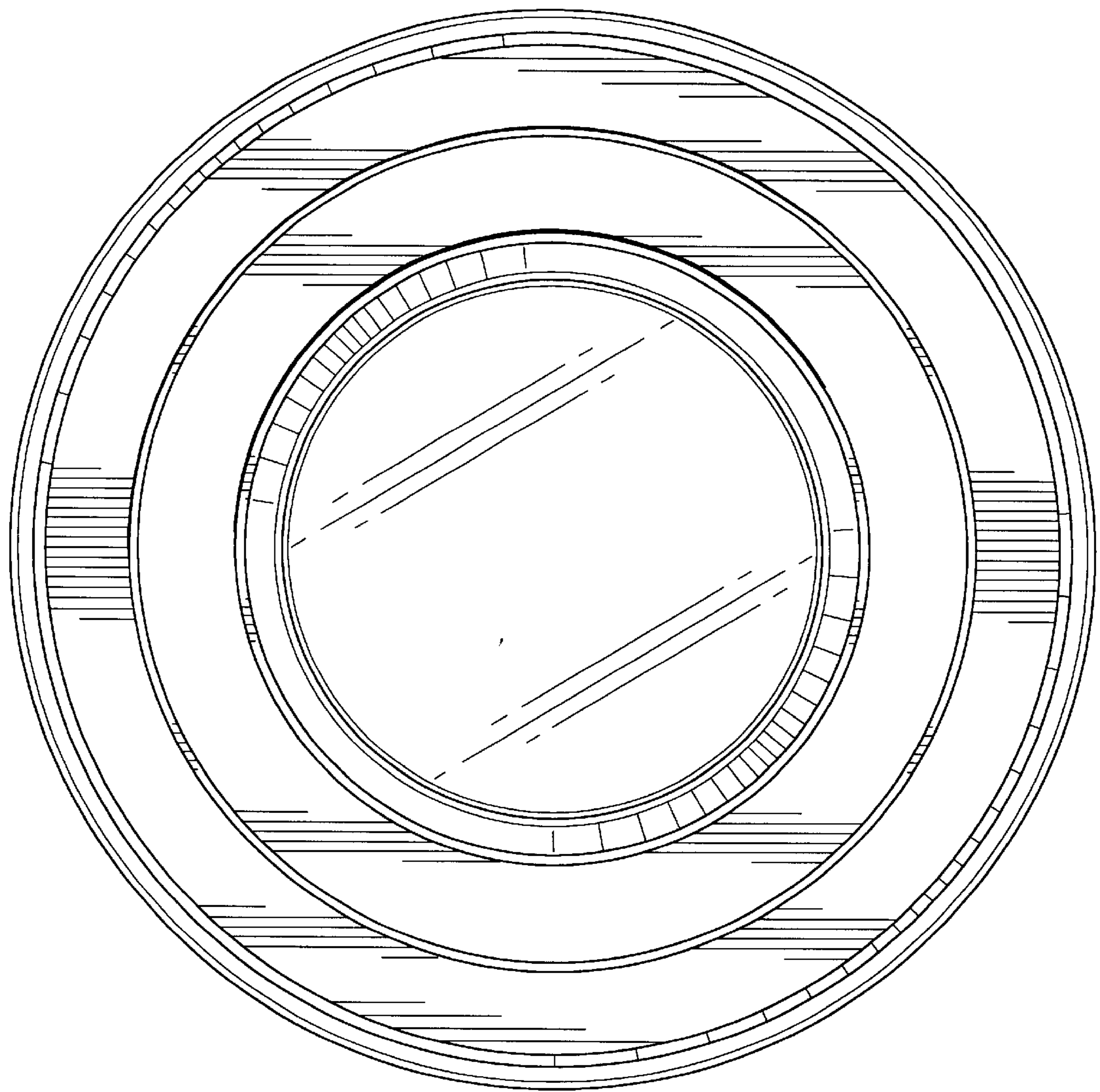


FIG. 8

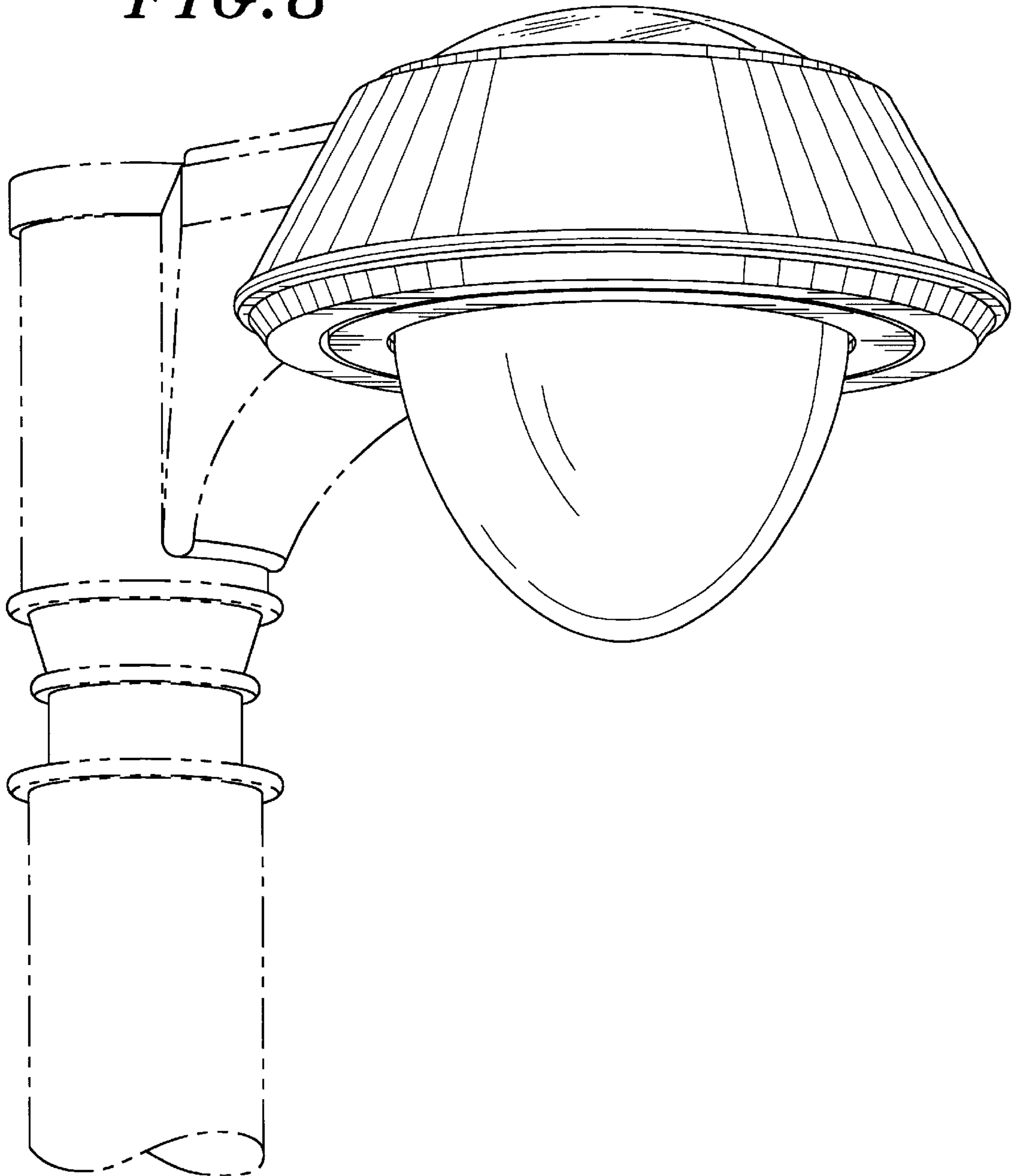


FIG. 9

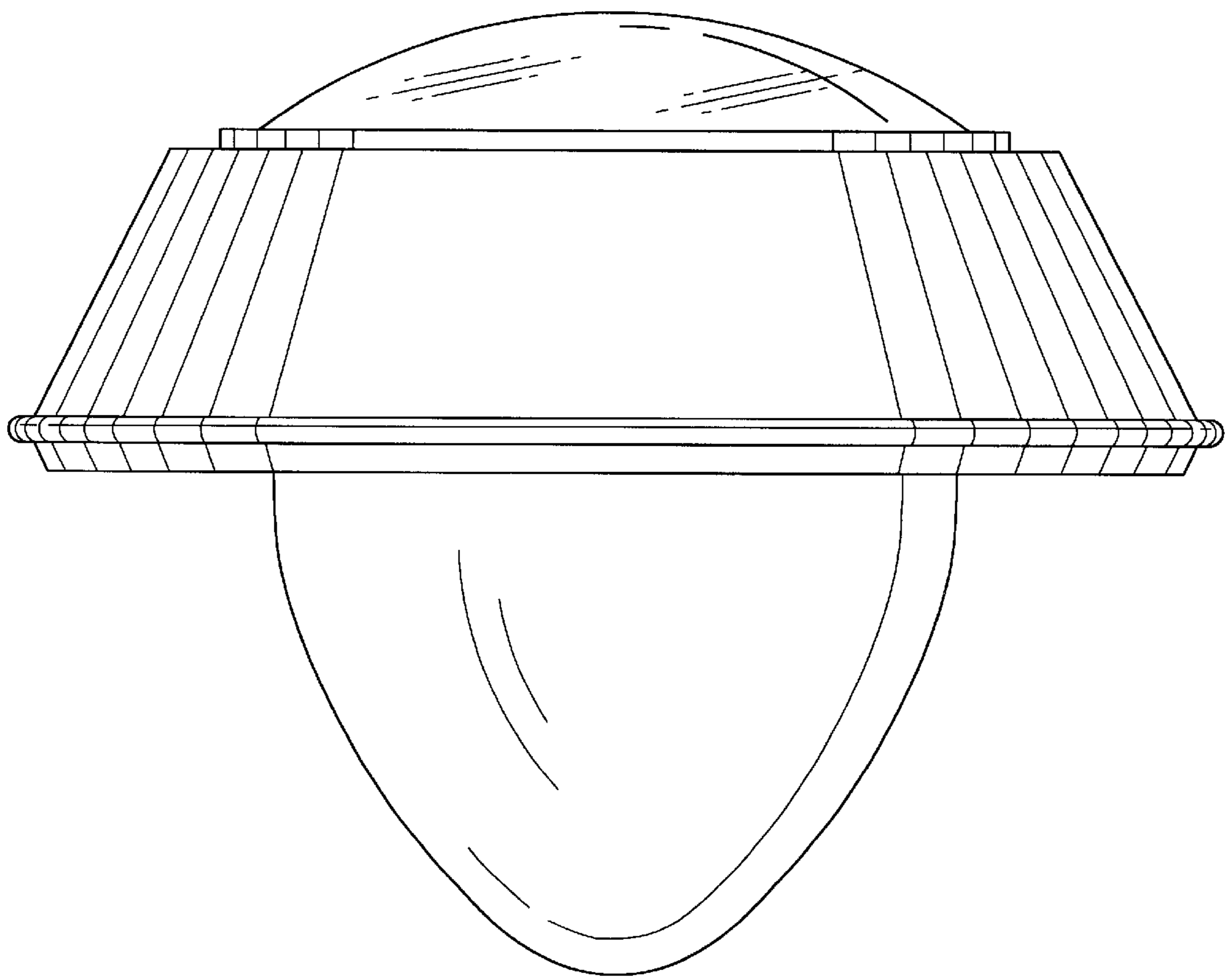


FIG. 10

