



US00D451226B1

(12) **United States Design Patent**
Leen

(10) **Patent No.:** **US D451,226 S**

(45) **Date of Patent:** **** Nov. 27, 2001**

(54) **SLED-BASED WORK LAMP**

6,050,710 * 8/2001 Grossman 362/285

(76) Inventor: **Monte A. Leen**, 11730 NE. 12th St.,
Bellevue, WA (US) 98005

* cited by examiner

(**) Term: **14 Years**

Primary Examiner—Susan J. Lucas

(74) *Attorney, Agent, or Firm*—Dean A. Craine

(21) Appl. No.: **29/127,381**

(57) **CLAIM**

(22) Filed: **Aug. 3, 2000**

The ornamental design for a sled-based work lamp, as shown and described.

(51) **LOC (7) Cl.** **26-05**

(52) **U.S. Cl.** **D26/63**

(58) **Field of Search** D26/60–66; 362/269,
362/270, 275, 277, 278, 281, 283, 284,
285, 286, 287, 289, 400, 401, 402, 427,
423

DESCRIPTION

FIG. 1 is a perspective view of a sled-based work lamp.
FIG. 2 is a right side elevational view of the invention.
FIG. 3 is a left side elevational view of the invention.
FIG. 4 is a front plan elevational view of the invention.
FIG. 5 is a rear plan elevational view of the invention.
FIG. 6 is a top plan view of the invention; and,
FIG. 7 is a bottom plan view of the invention.

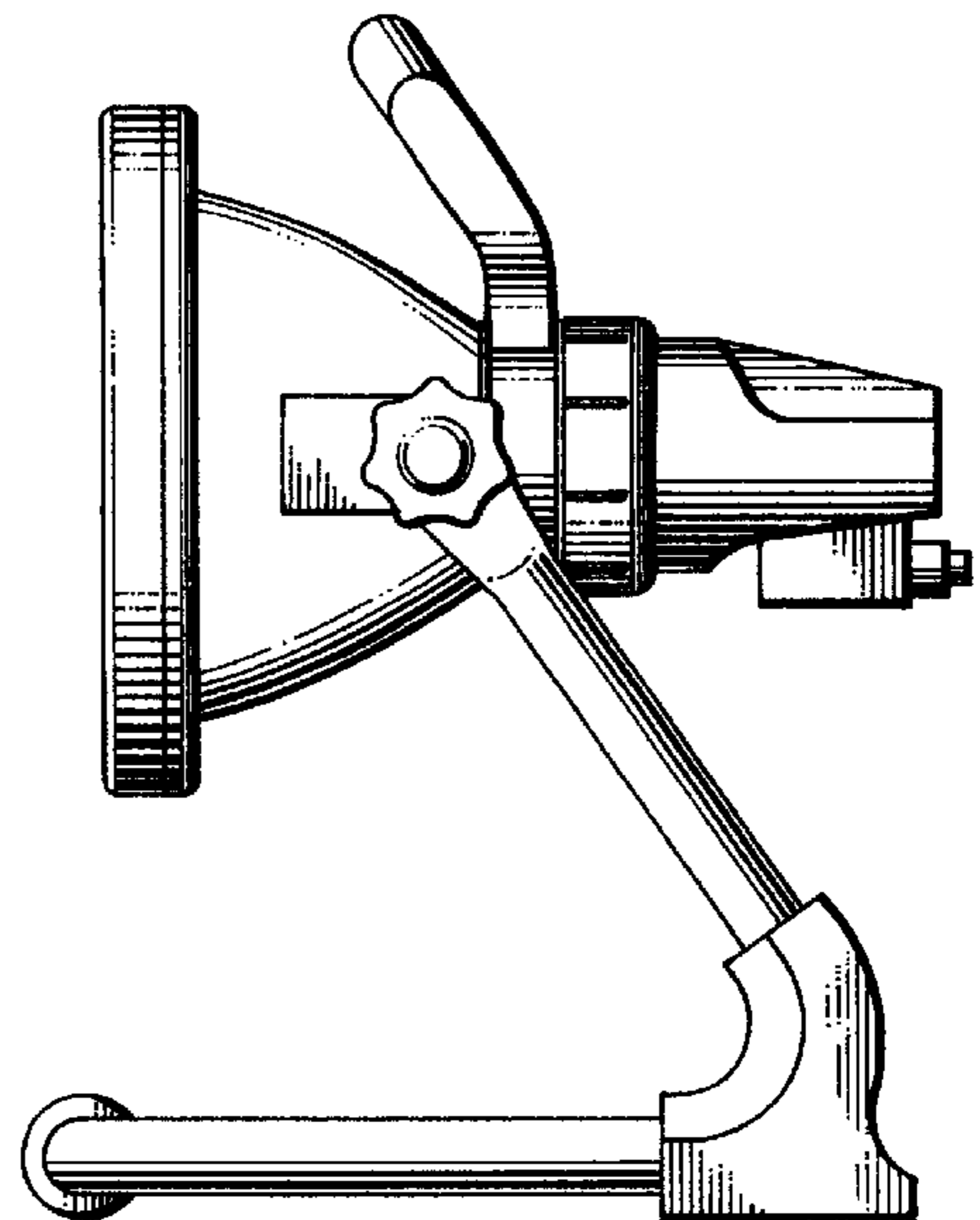
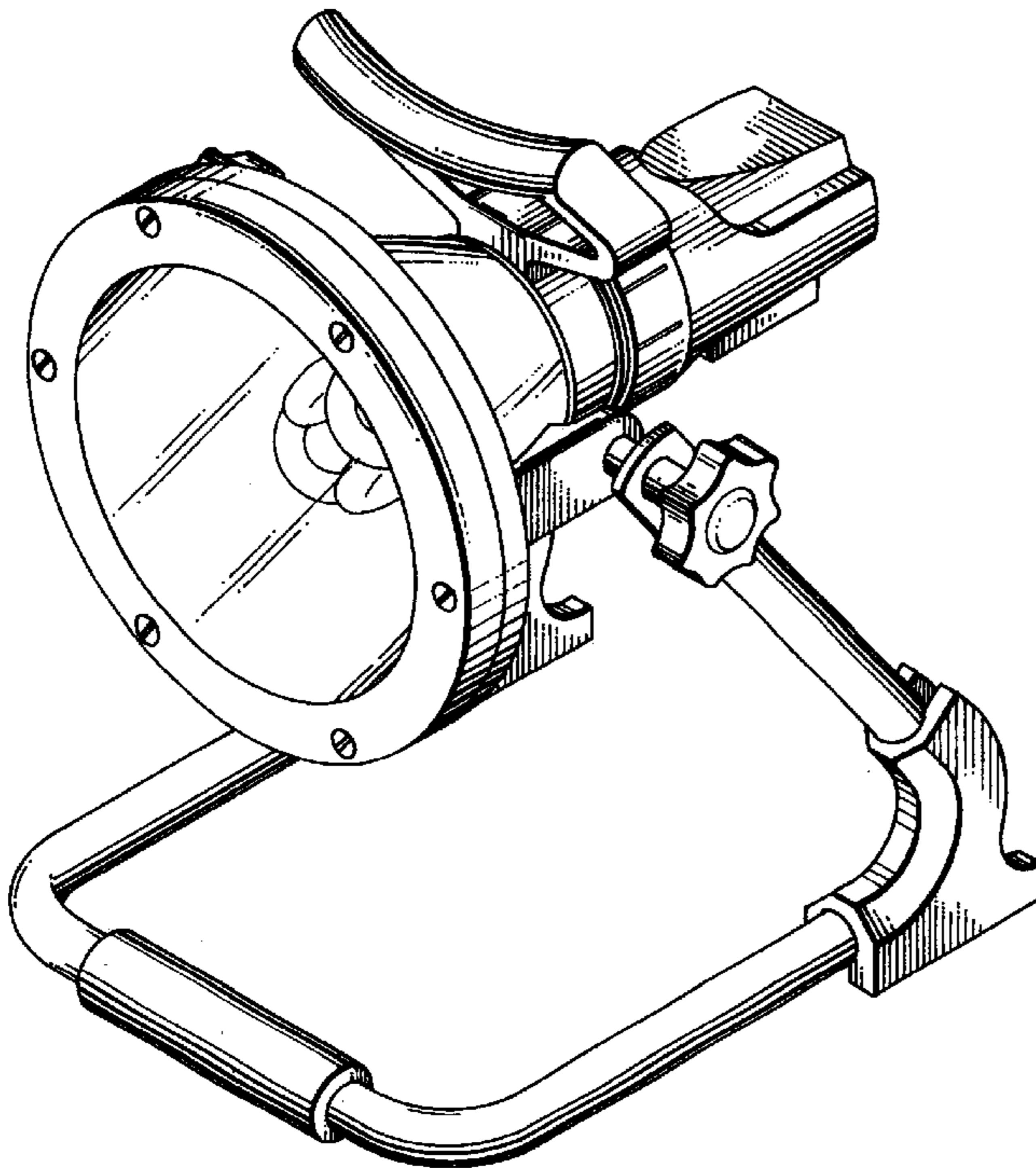
(56) **References Cited**

U.S. PATENT DOCUMENTS

D. 436,679 * 1/2001 Leen D26/65

D. 446,875 * 8/2001 Leen D26/63

1 Claim, 2 Drawing Sheets



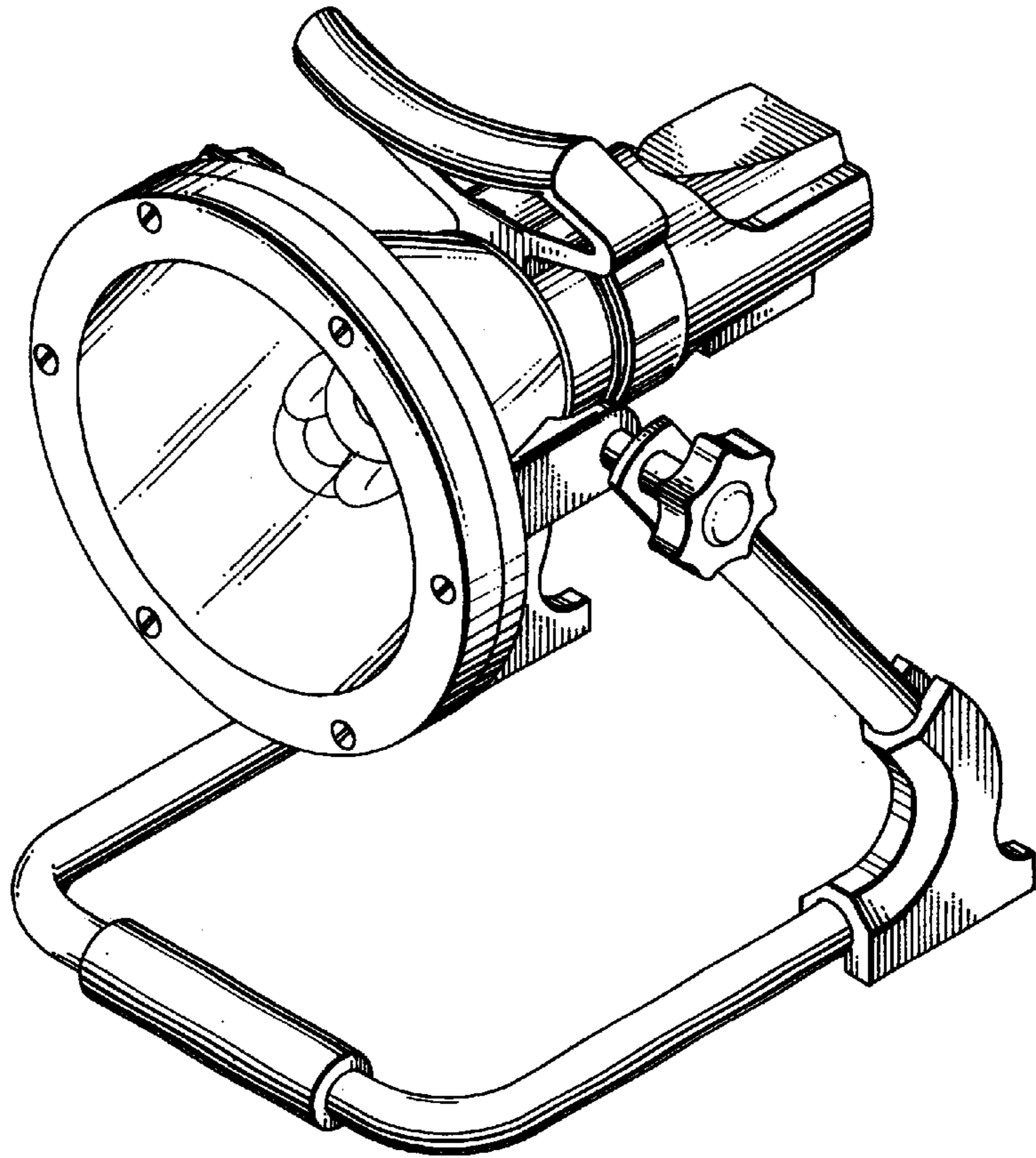


FIG. 1

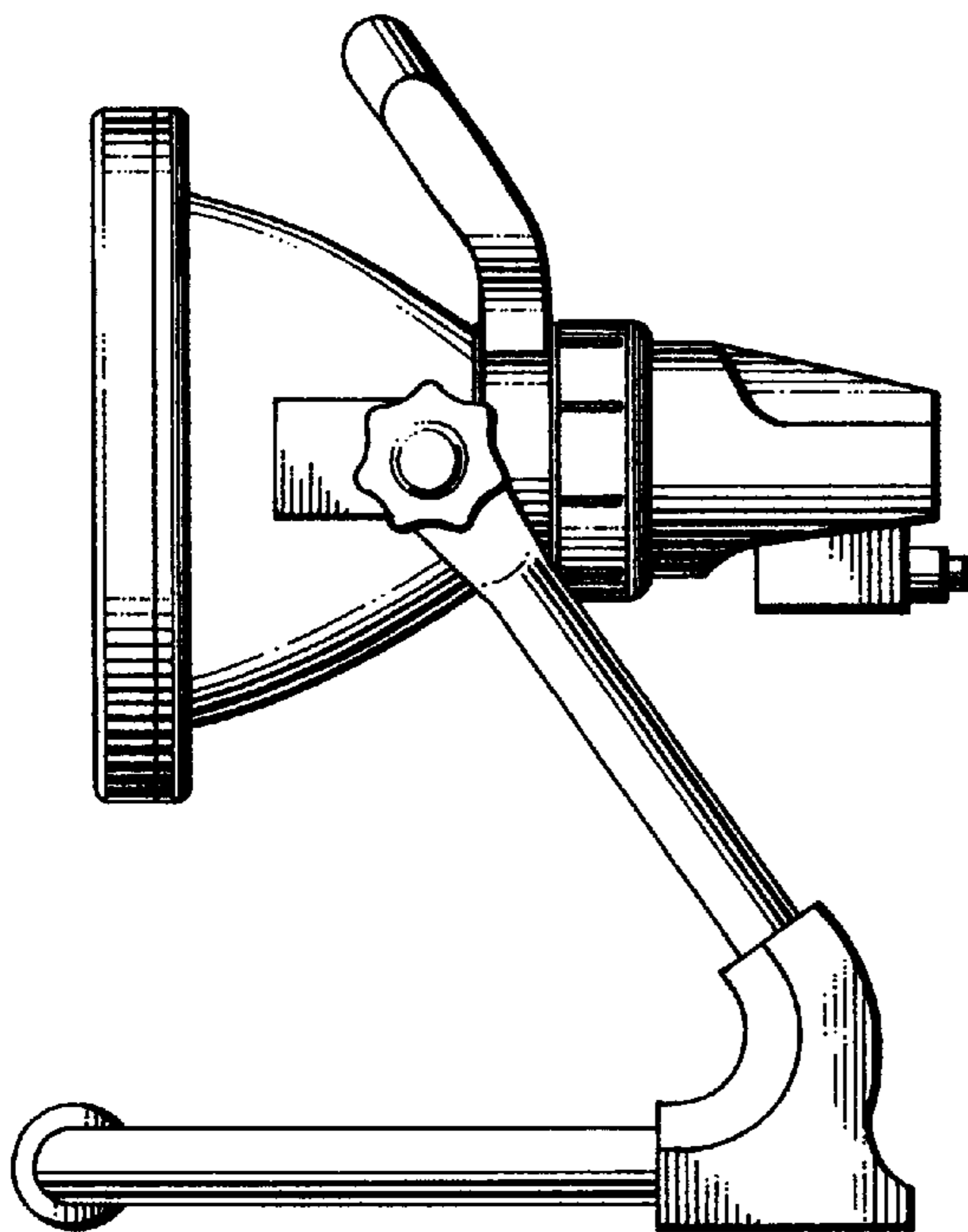


FIG. 2

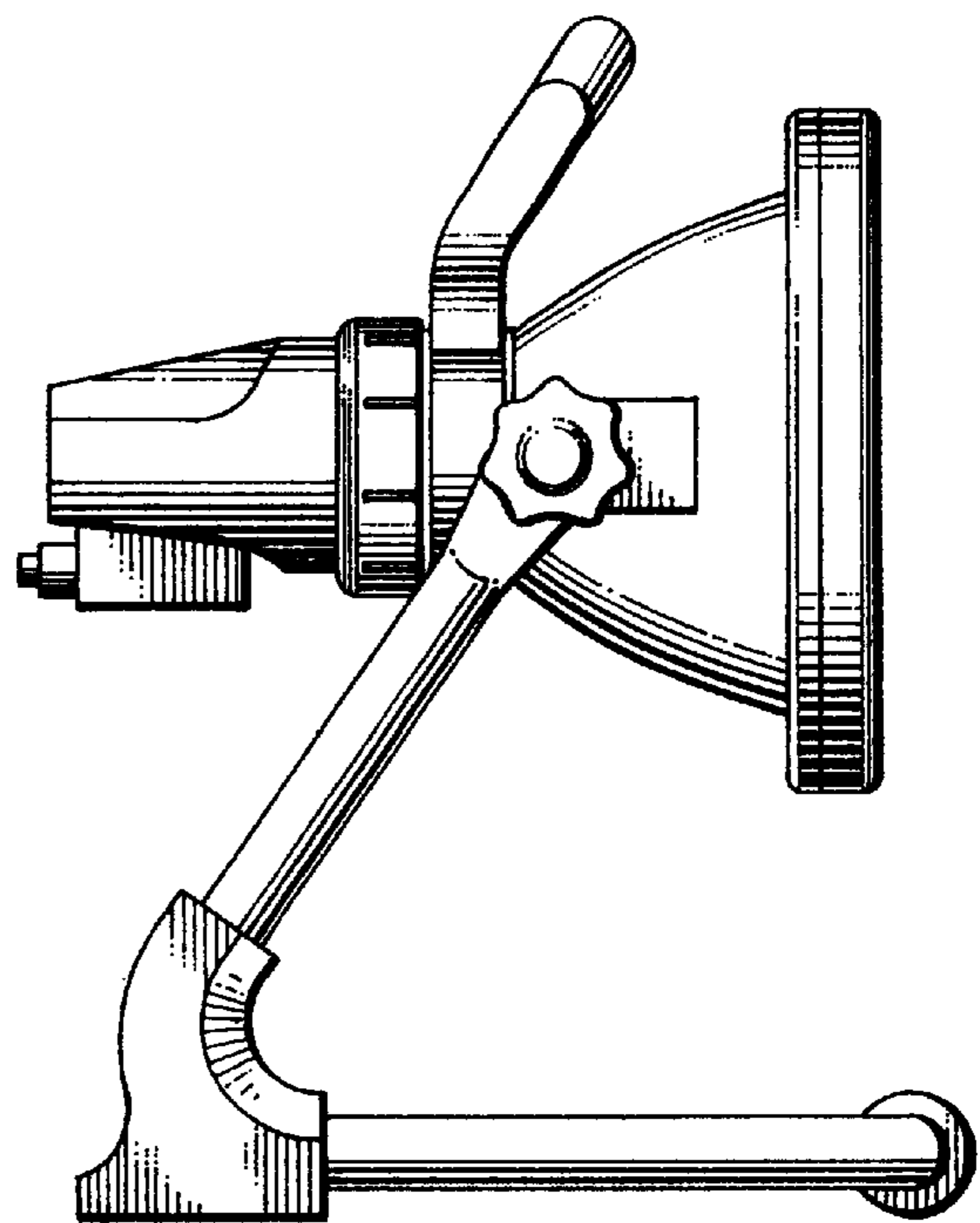


FIG. 3

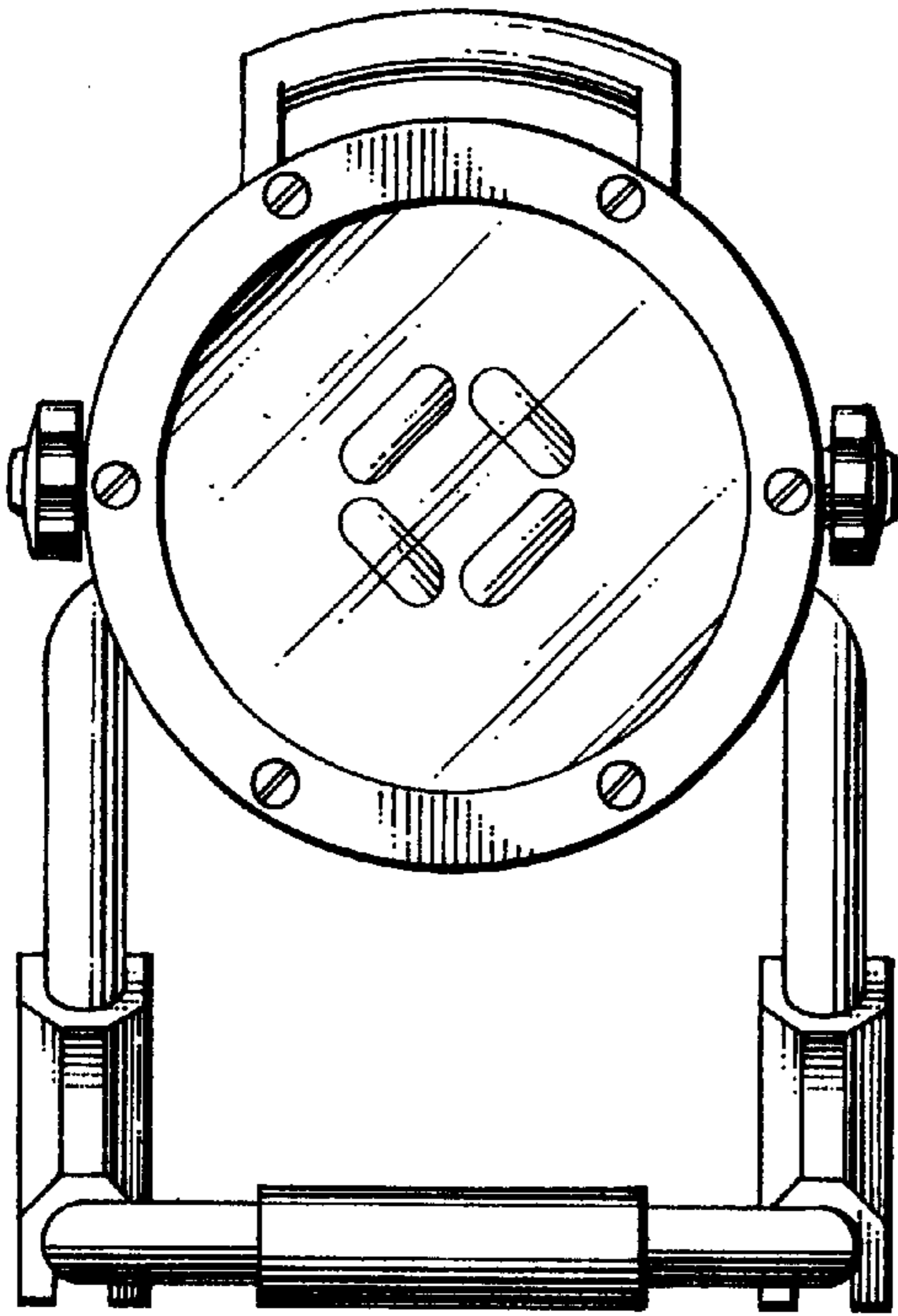


FIG. 4

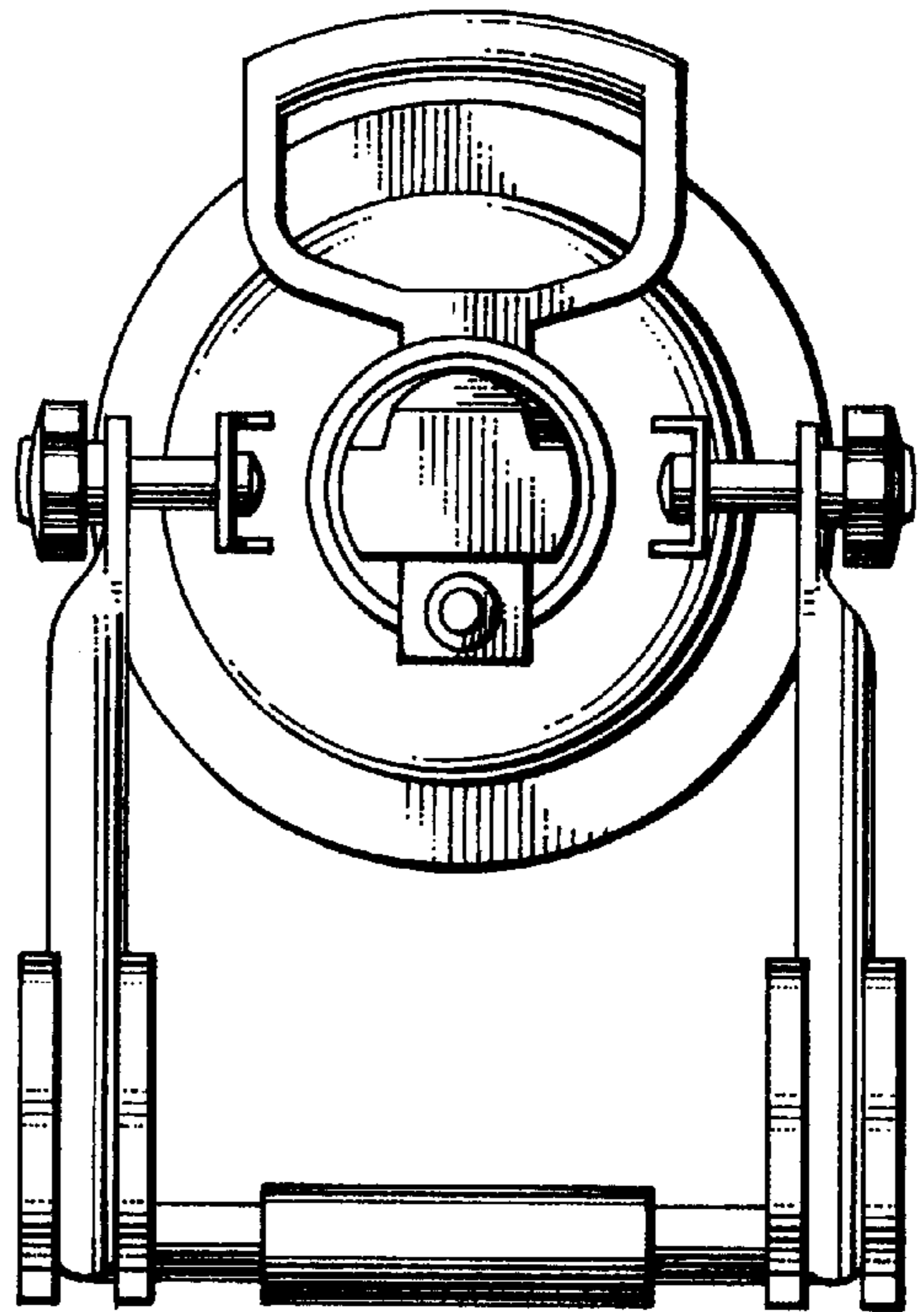


FIG. 5

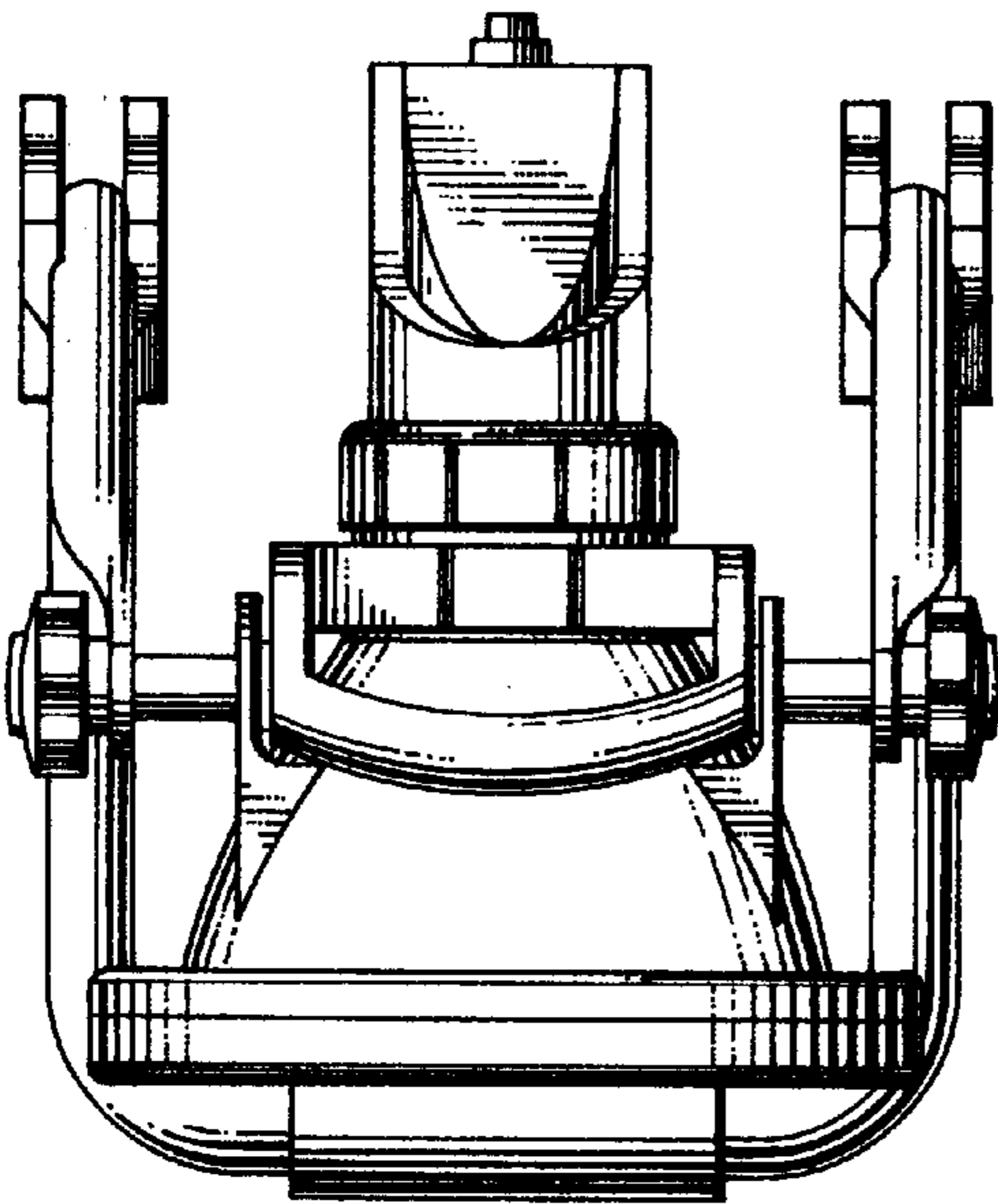


FIG. 6

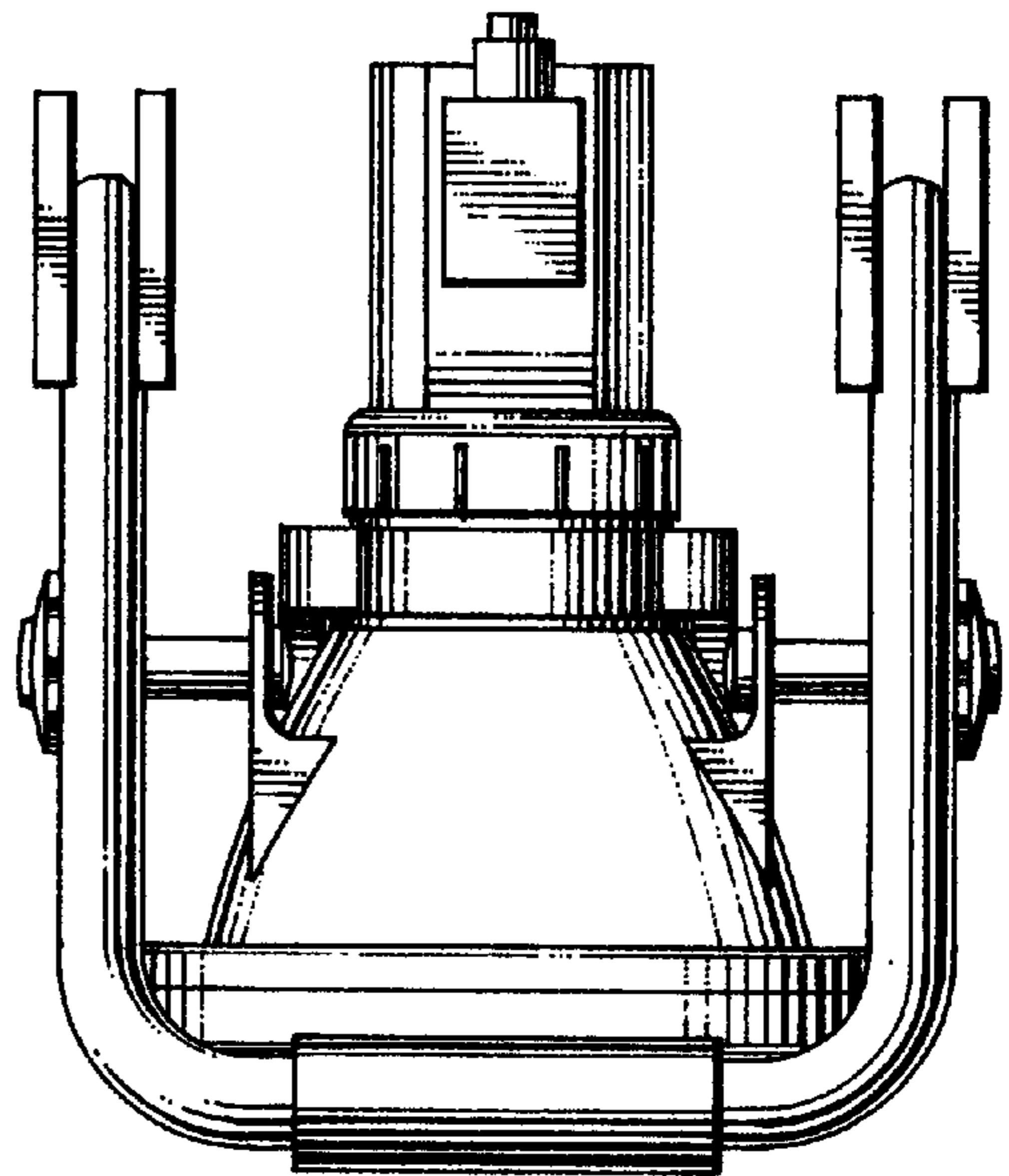


FIG. 7