



US00D451222B1

(12) **United States Design Patent**
Poon

(10) **Patent No.:** **US D451,222 S**

(45) **Date of Patent:** **** Nov. 27, 2001**

(54) **RECHARGEABLE SPOTLIGHT**

5,988,828 * 11/1999 Prince et al. 362/191

(75) Inventor: **Tit Wing Poon, Shatin (CN)**

* cited by examiner

(73) Assignee: **Flying Dragon Development Ltd.,
Shatin (CN)**

Primary Examiner—Susan J. Lucas

(74) *Attorney, Agent, or Firm*—Alix, Yale & Ristas, LLP

(**) Term: **14 Years**

(57) **CLAIM**

The ornamental design for a rechargeable spotlight, as shown and described.

(21) Appl. No.: **29/138,555**

(22) Filed: **Mar. 15, 2001**

DESCRIPTION

(51) **LOC (7) Cl.** **26-02**

(52) **U.S. Cl.** **D26/45**

(58) **Field of Search** D26/37-50; 362/157,
362/162, 171, 178, 187, 188, 189, 190,
191, 194, 195, 196, 197, 198, 199, 200,
201, 202, 203, 204, 205, 206

FIG. 1 is a front perspective view of the rechargeable spotlight showing my new design;

FIG. 2 is a front view of the rechargeable spotlight of FIG. 1;

FIG. 3 is a right side view of the rechargeable spotlight of FIG. 1;

FIG. 4 is a left side view of the rechargeable spotlight of FIG. 1;

FIG. 5 is a rear view of the rechargeable spotlight of FIG. 1;

FIG. 6 is a top plan view of the rechargeable spotlight of FIG. 1; and,

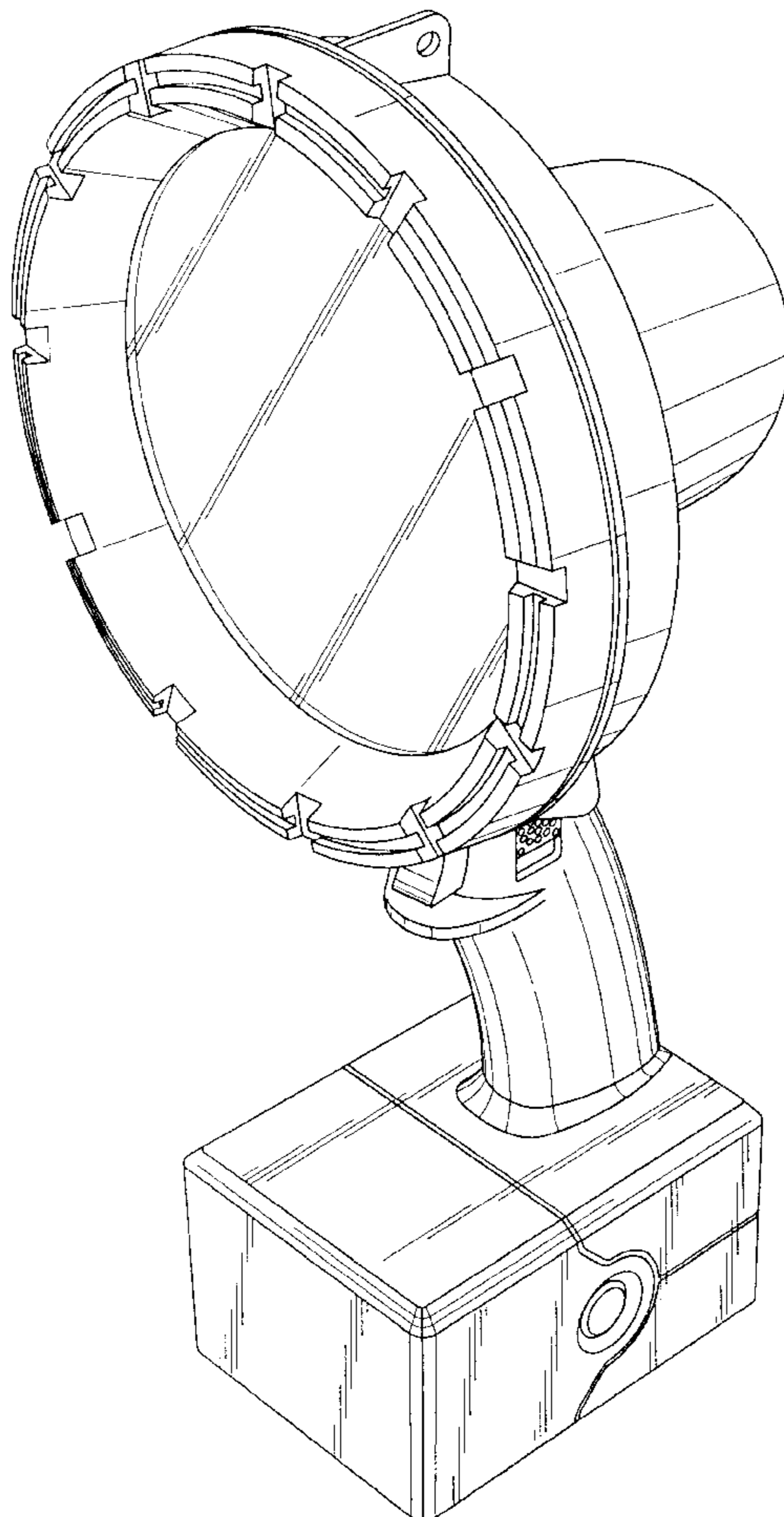
FIG. 7 is a bottom plan view of the rechargeable spotlight of FIG. 1.

(56) **References Cited**

U.S. PATENT DOCUMENTS

- D. 300,470 * 3/1989 Schmidt D26/45
- D. 429,013 * 8/2000 Poon D26/45
- D. 432,692 * 10/2000 Krieger D26/45

1 Claim, 6 Drawing Sheets



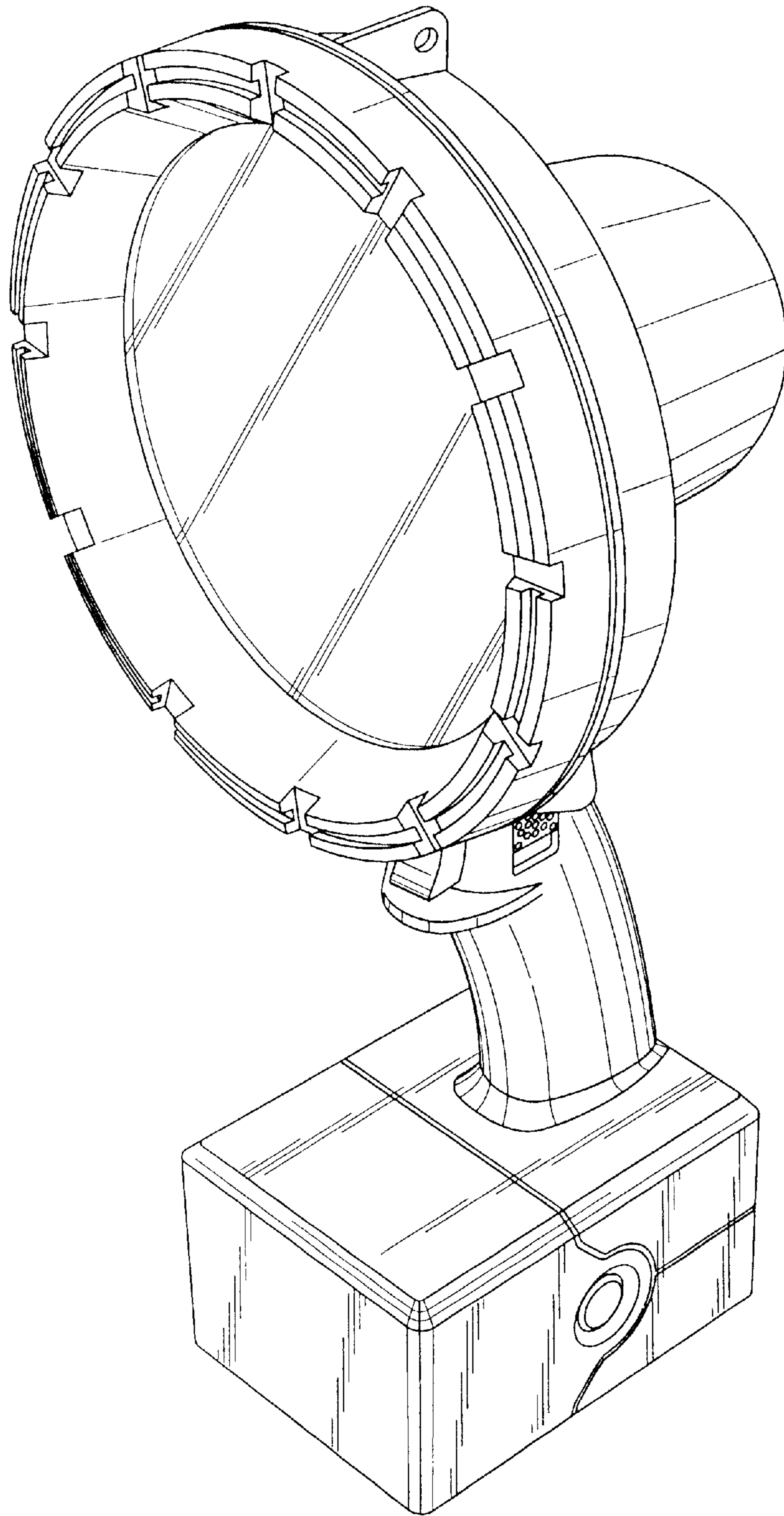


FIG. 1

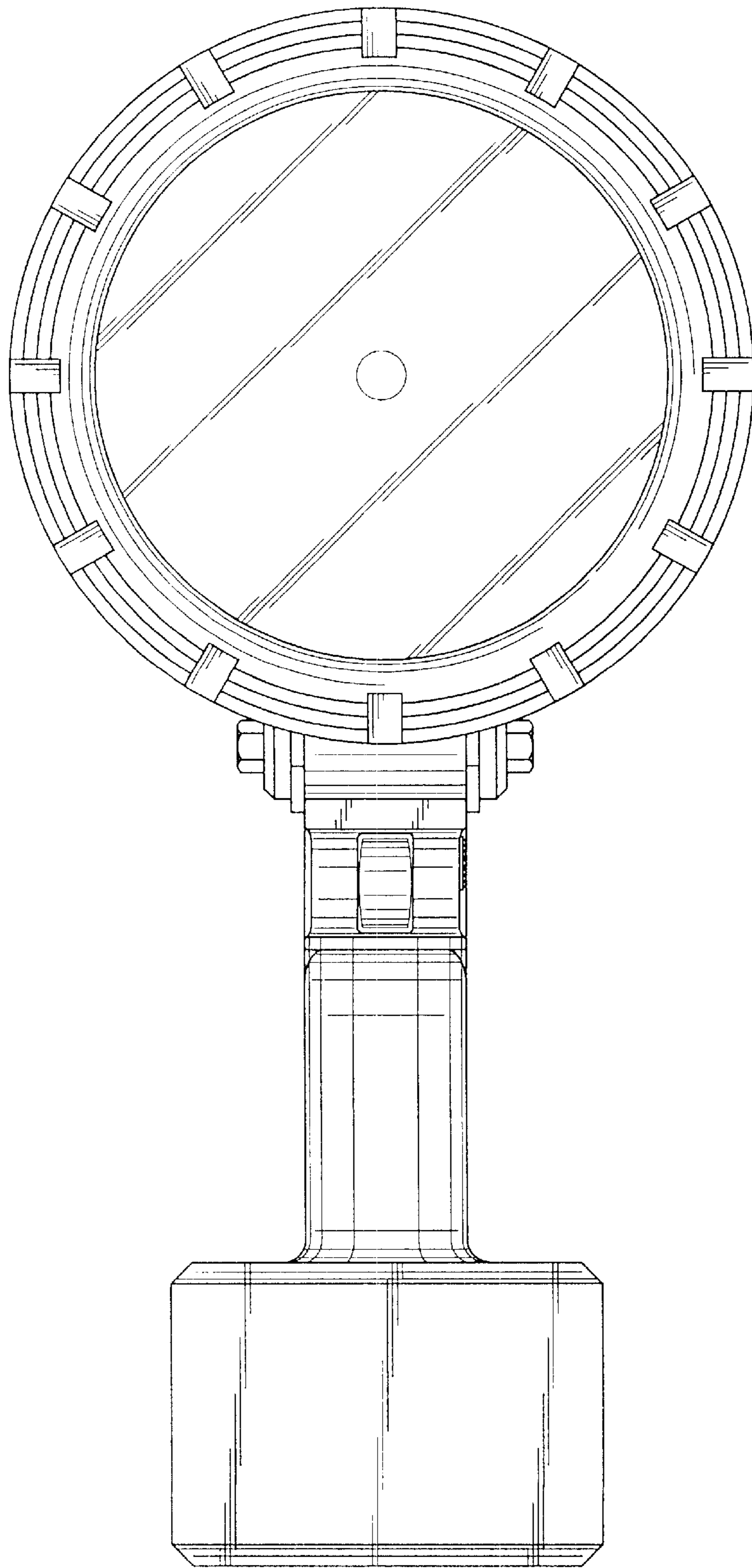


FIG. 2

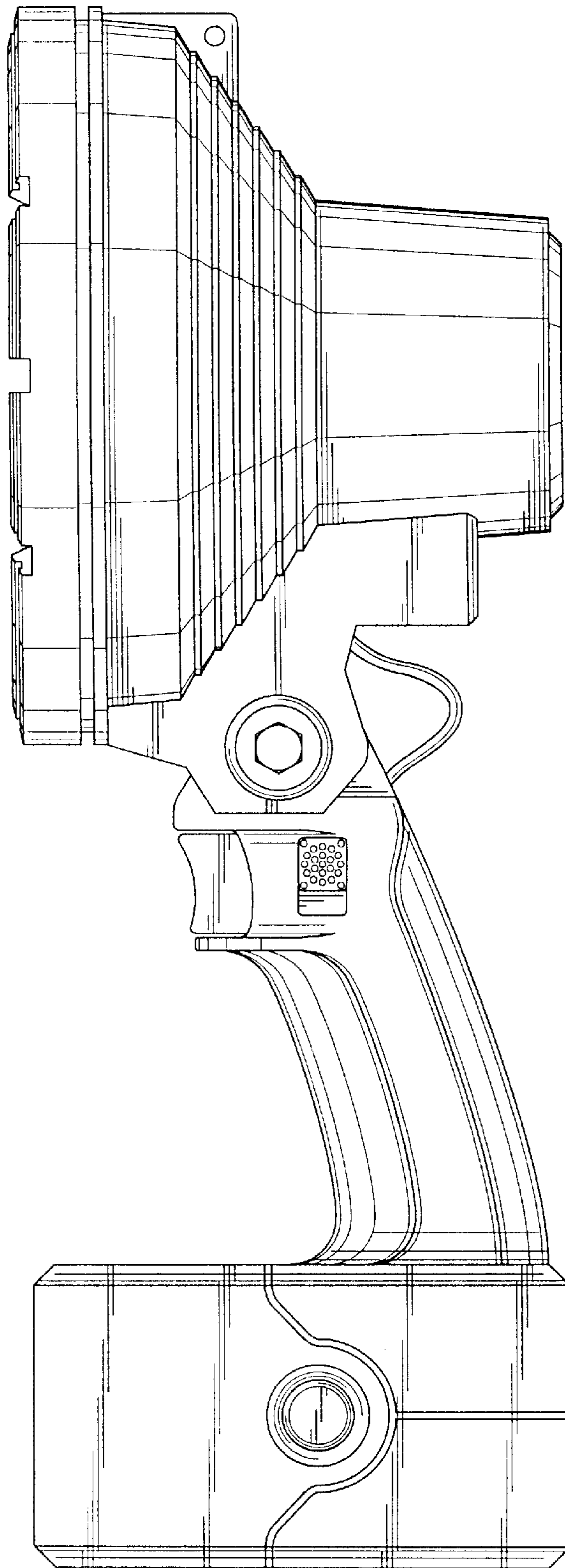


FIG. 3

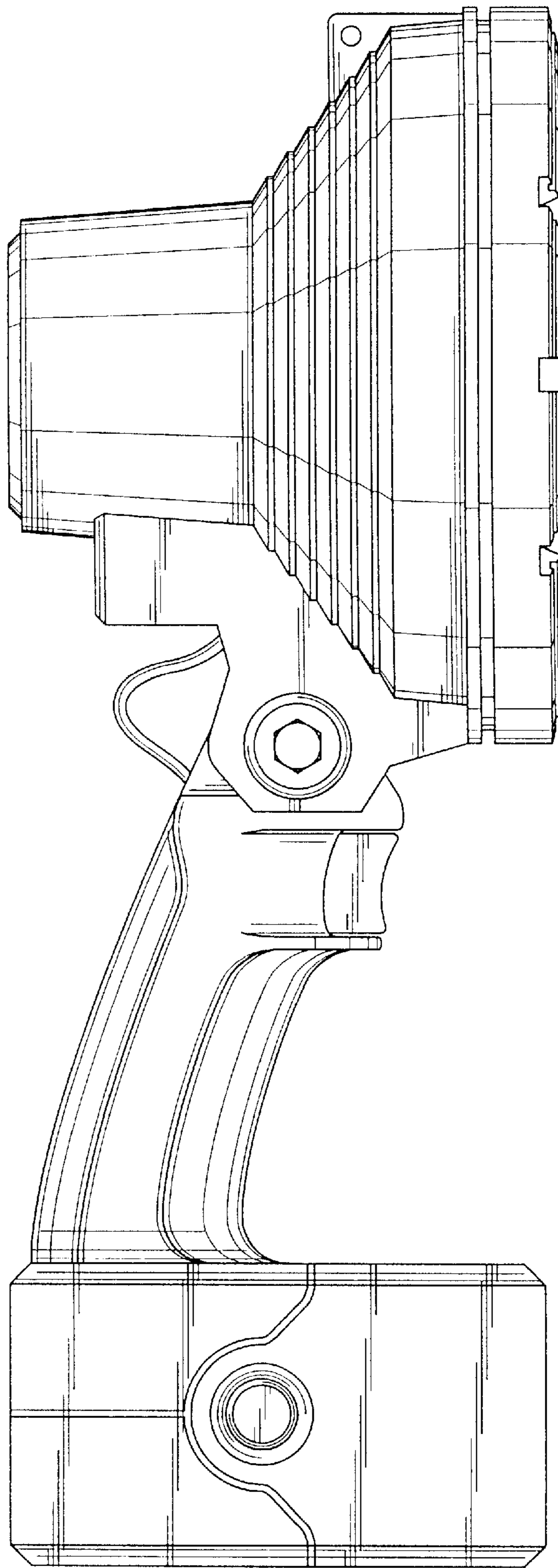


FIG. 4

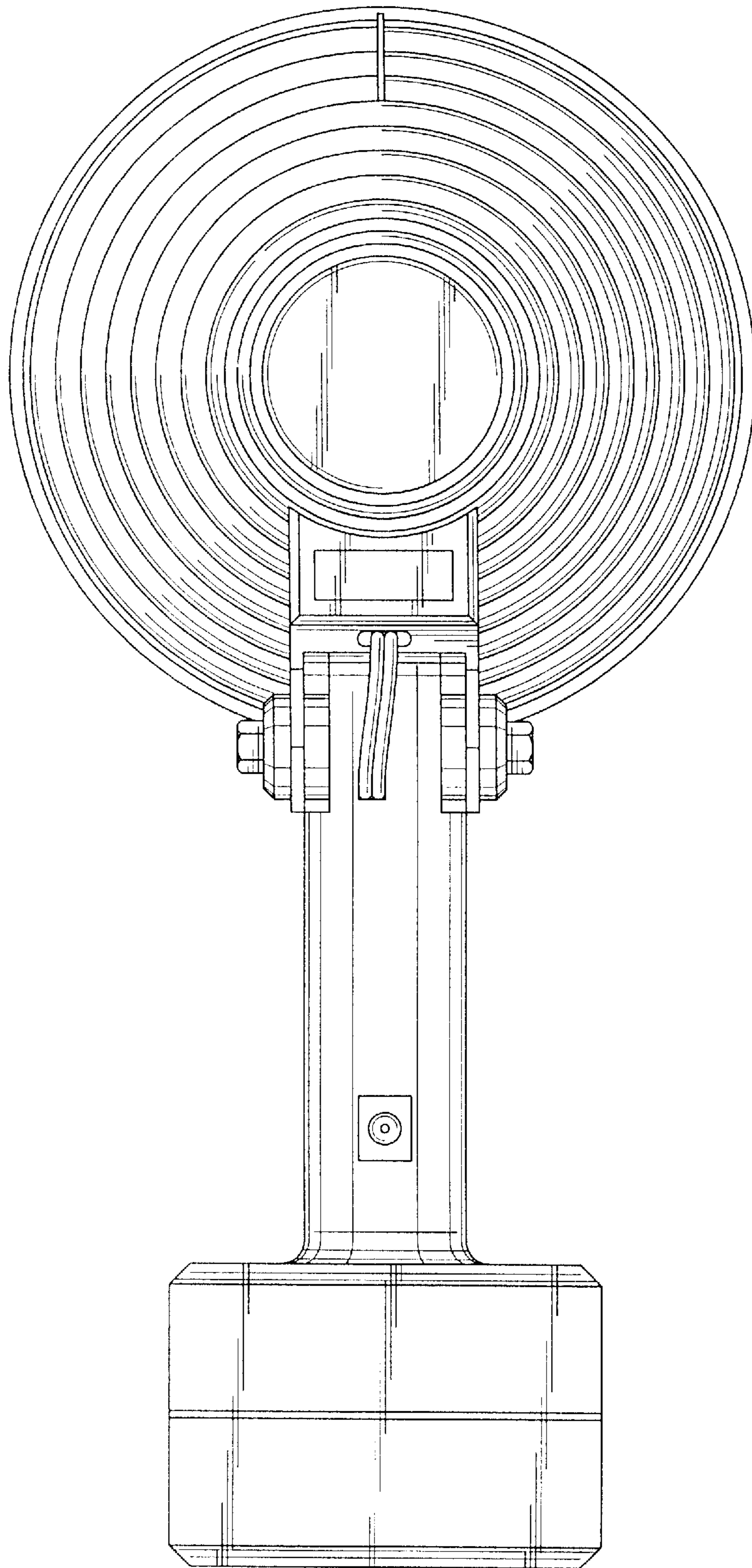


FIG. 5

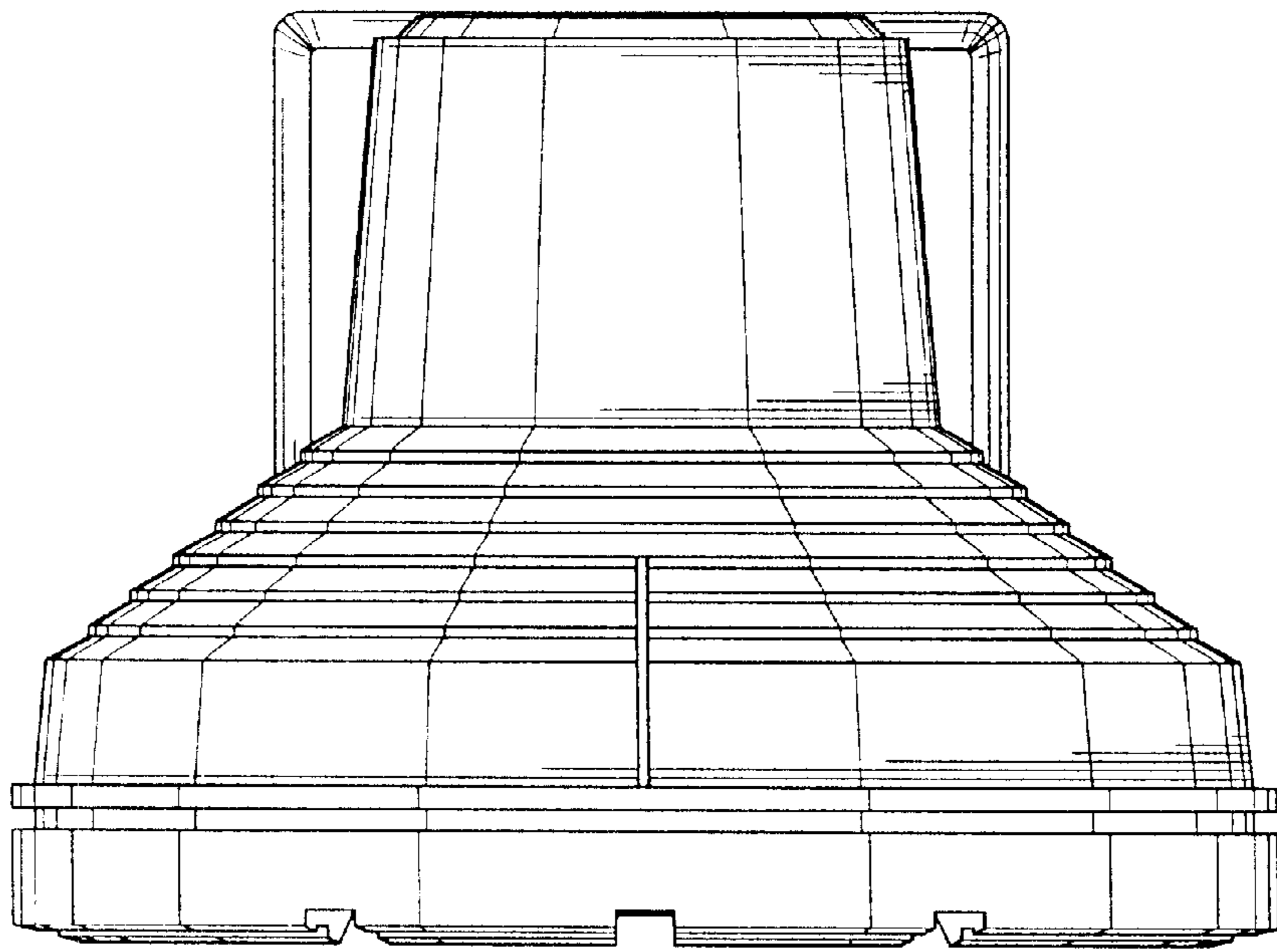


FIG. 6

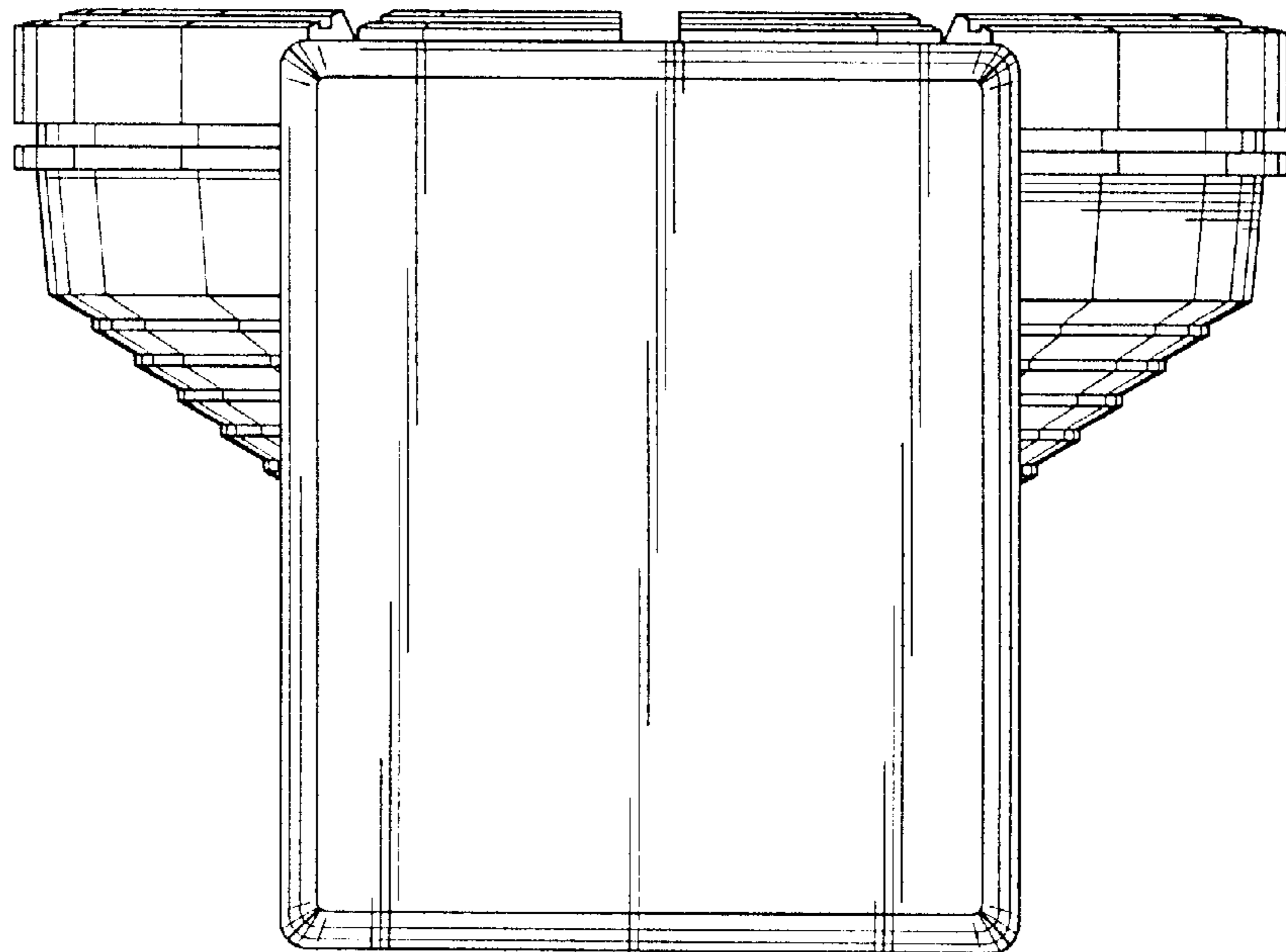


FIG. 7