



US00D451221B1

(12) **United States Design Patent**  
**Poon**

(10) **Patent No.:** **US D451,221 S**

(45) **Date of Patent:** **\*\* Nov. 27, 2001**

(54) **EXTENDABLE LAMP**

D. 443,707 \* 6/2000 Poon ..... D26/41

(75) Inventor: **Tit Wing Poon**, Shatin (CN)

\* cited by examiner

(73) Assignee: **Flying Dragon Development Ltd.**,  
Shatin (CN)

*Primary Examiner*—Susan J. Lucas

(74) *Attorney, Agent, or Firm*—Alix, Yale & Ristas, LLP

(\*\*) Term: **14 Years**

(57) **CLAIM**

The ornamental design for an extendable lamp, as shown and described.

(21) Appl. No.: **29/142,265**

(22) Filed: **May 22, 2001**

**DESCRIPTION**

(30) **Foreign Application Priority Data**

Nov. 27, 2000 (HK) ..... 0011737

(51) **LOC (7) Cl.** ..... **26-02**

(52) **U.S. Cl.** ..... **D26/42**

(58) **Field of Search** ..... D26/37-50; 362/157,  
362/162, 171, 178, 187, 188, 189, 190,  
191, 194, 195, 196, 197, 198, 199, 200,  
201, 202, 203, 204, 205, 206

FIG. 1 is a front perspective view of the extendable lamp showing my new design;

FIG. 2 is a front perspective view in an extended position of the extendable lamp of FIG. 1;

FIG. 3 is a front view of the extendable lamp of FIG. 1;

FIG. 4 is a right side view of the extendable lamp of FIG. 1;

FIG. 5 is a top plan view of the extendable lamp of FIG. 1;

FIG. 6 is a rear view of the extendable lamp of FIG. 1;

FIG. 7 is a left side view of the extendable lamp of FIG. 1;

and,

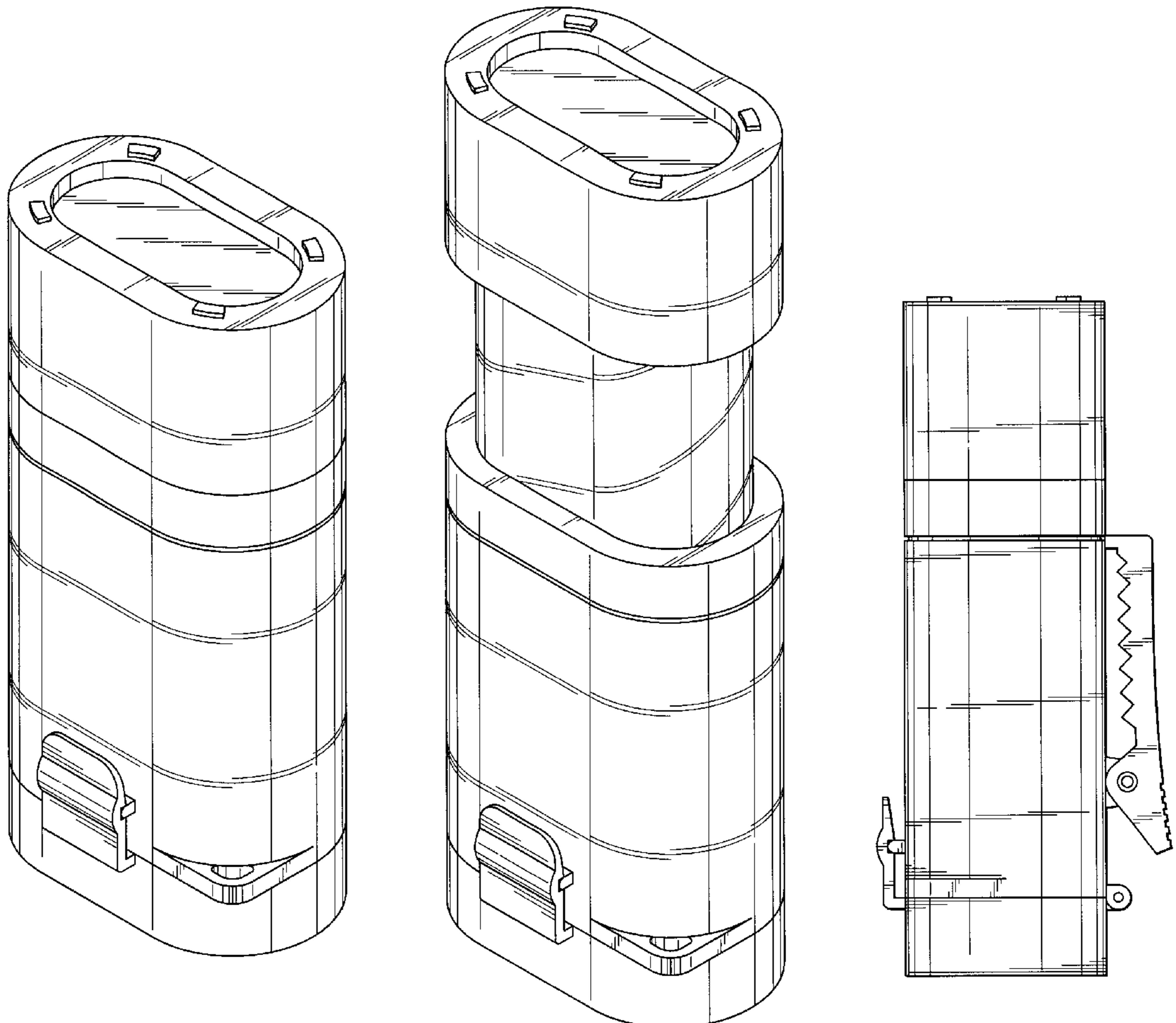
FIG. 8 is a bottom plan view of the extendable lamp of FIG. 1.

(56) **References Cited**

**U.S. PATENT DOCUMENTS**

D. 330,775 \* 11/1992 Yuen ..... D26/46

**1 Claim, 4 Drawing Sheets**



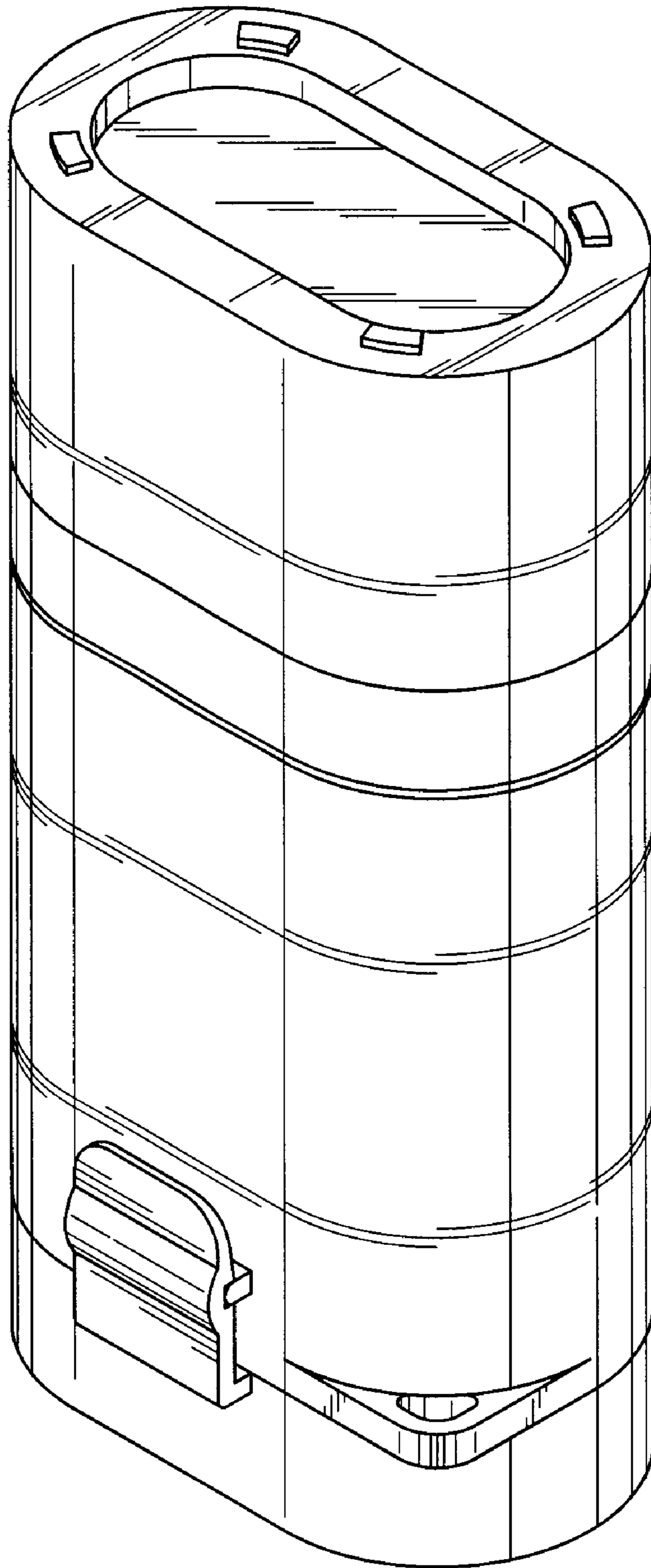


FIG. 1

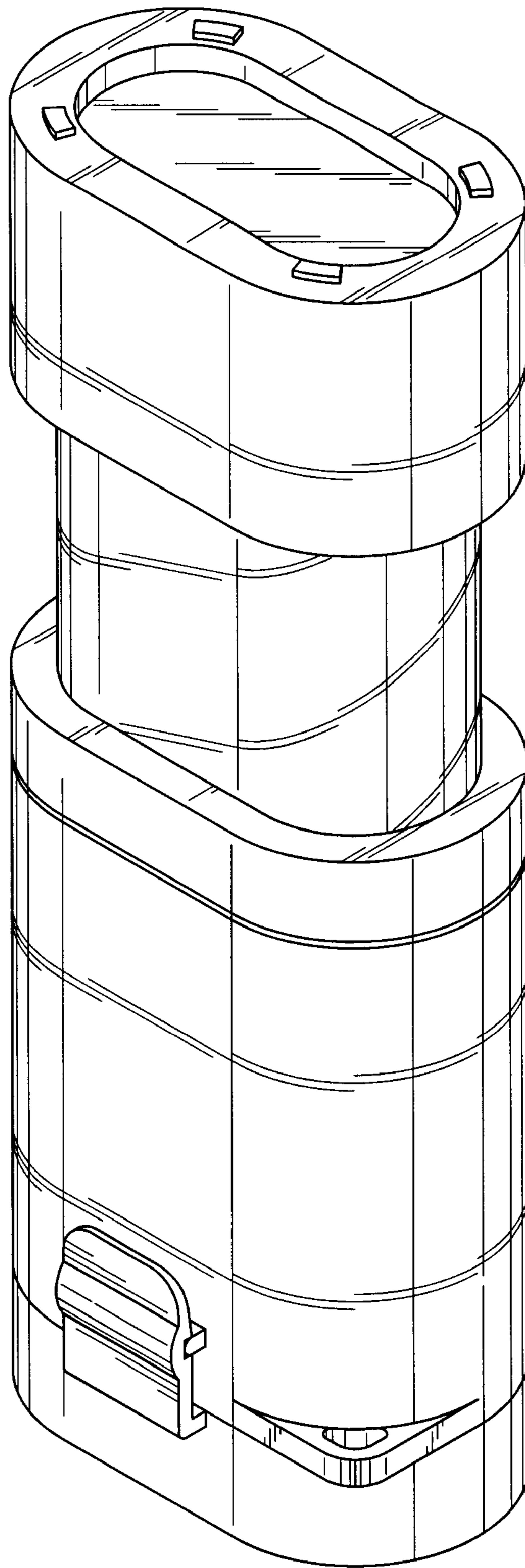


FIG. 2

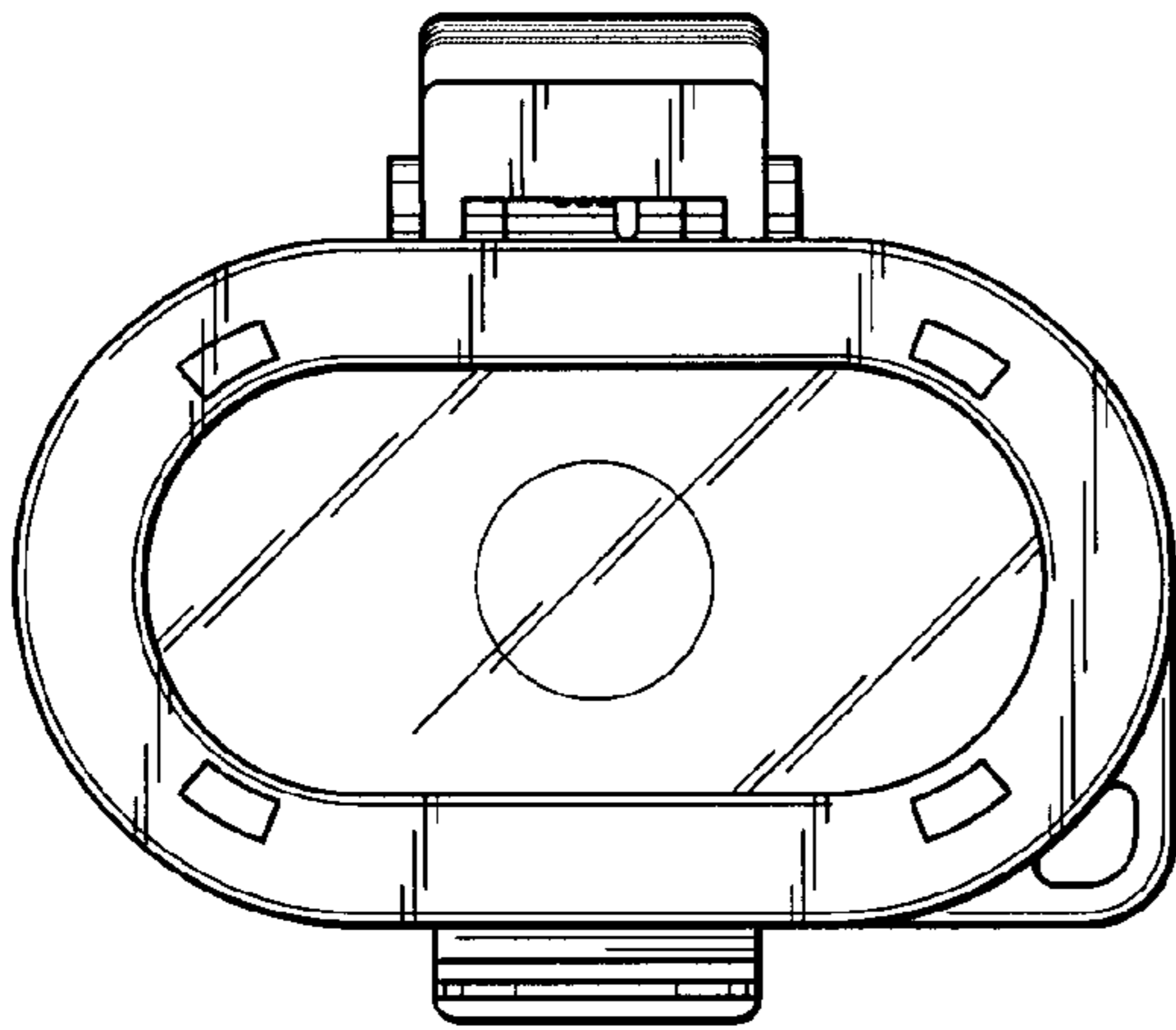


FIG. 5

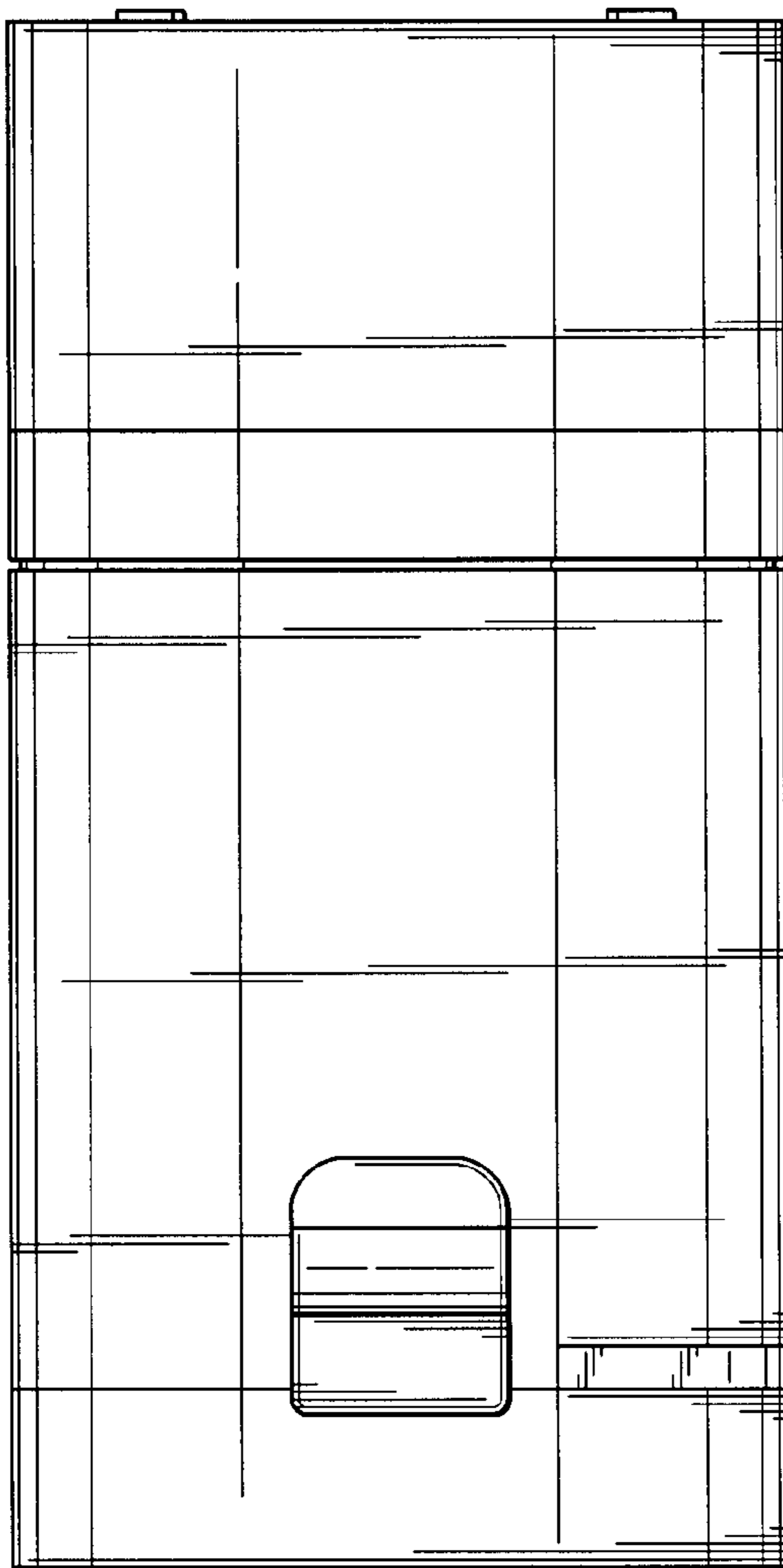


FIG. 3

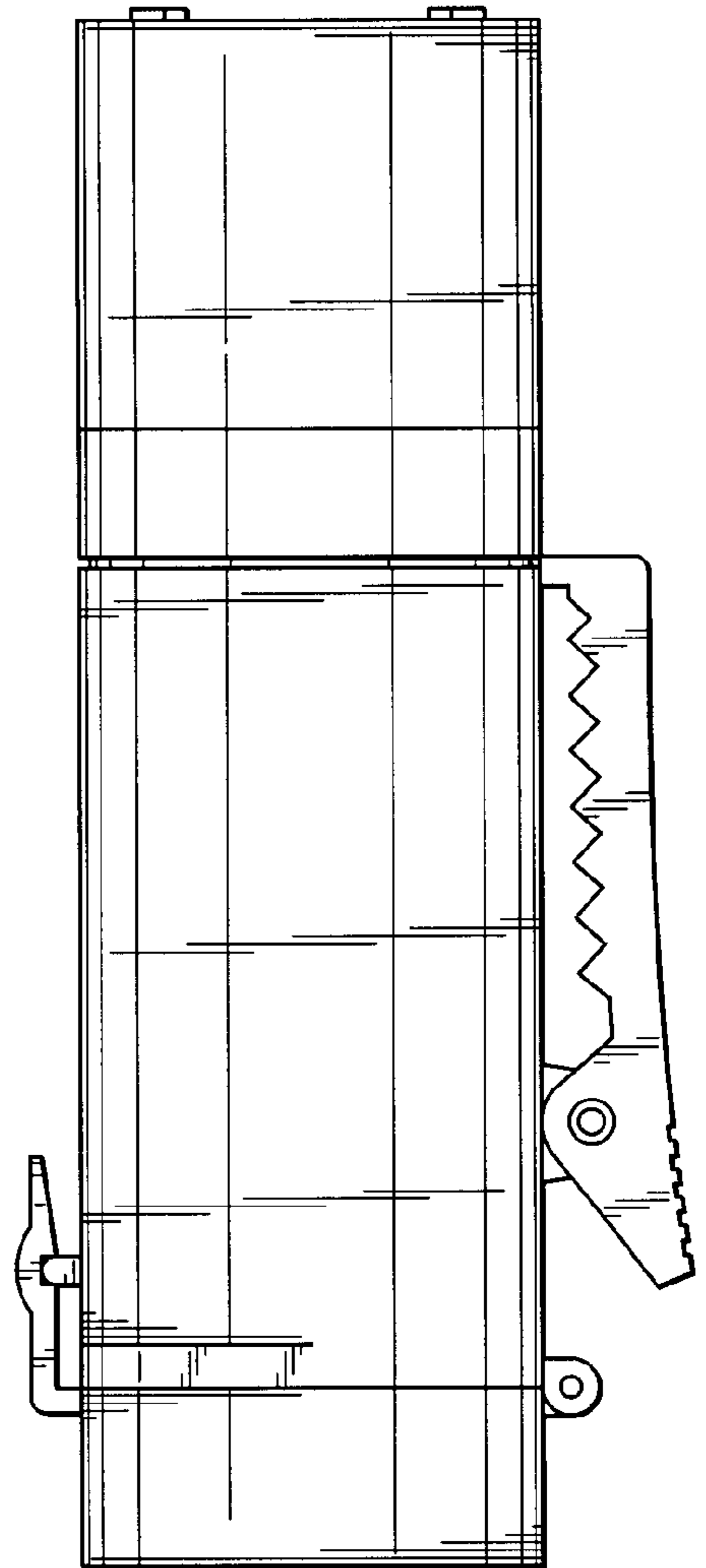


FIG. 4

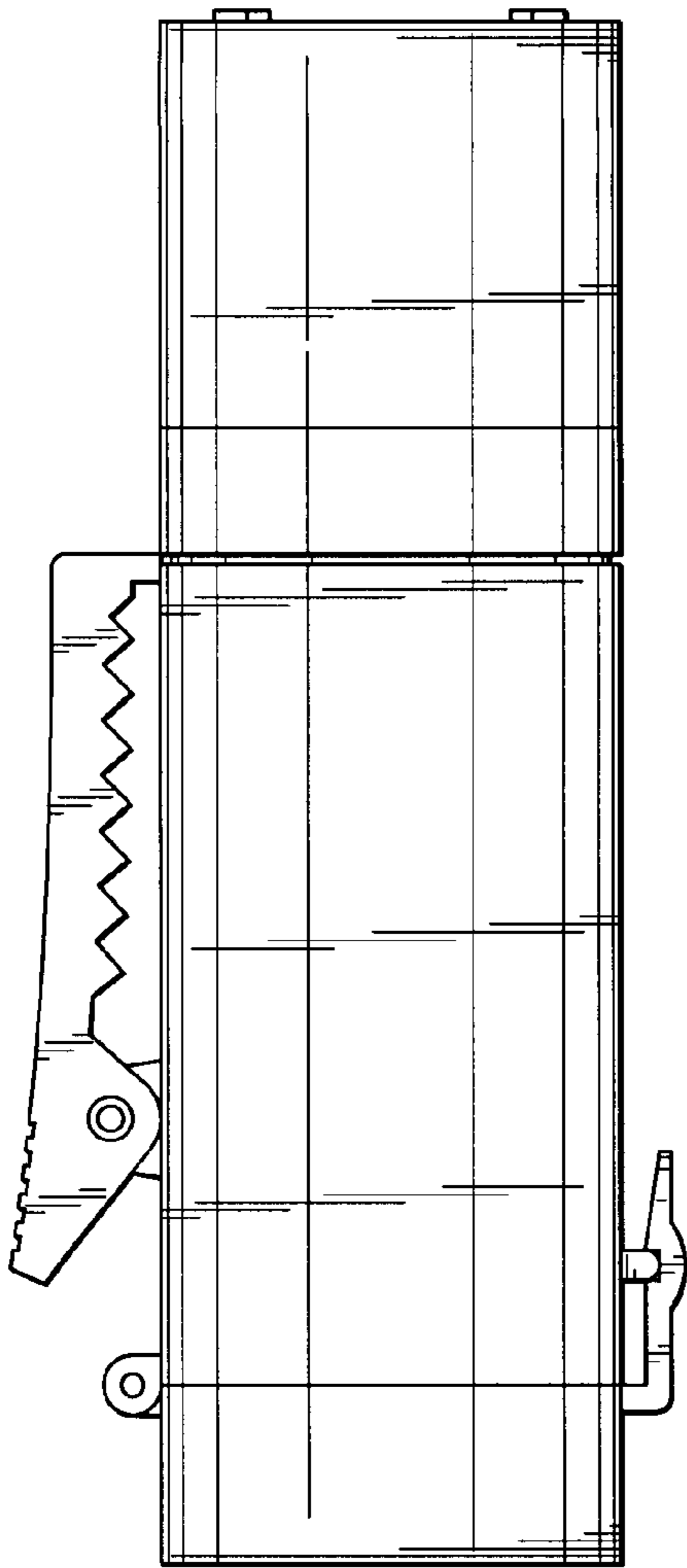


FIG. 7

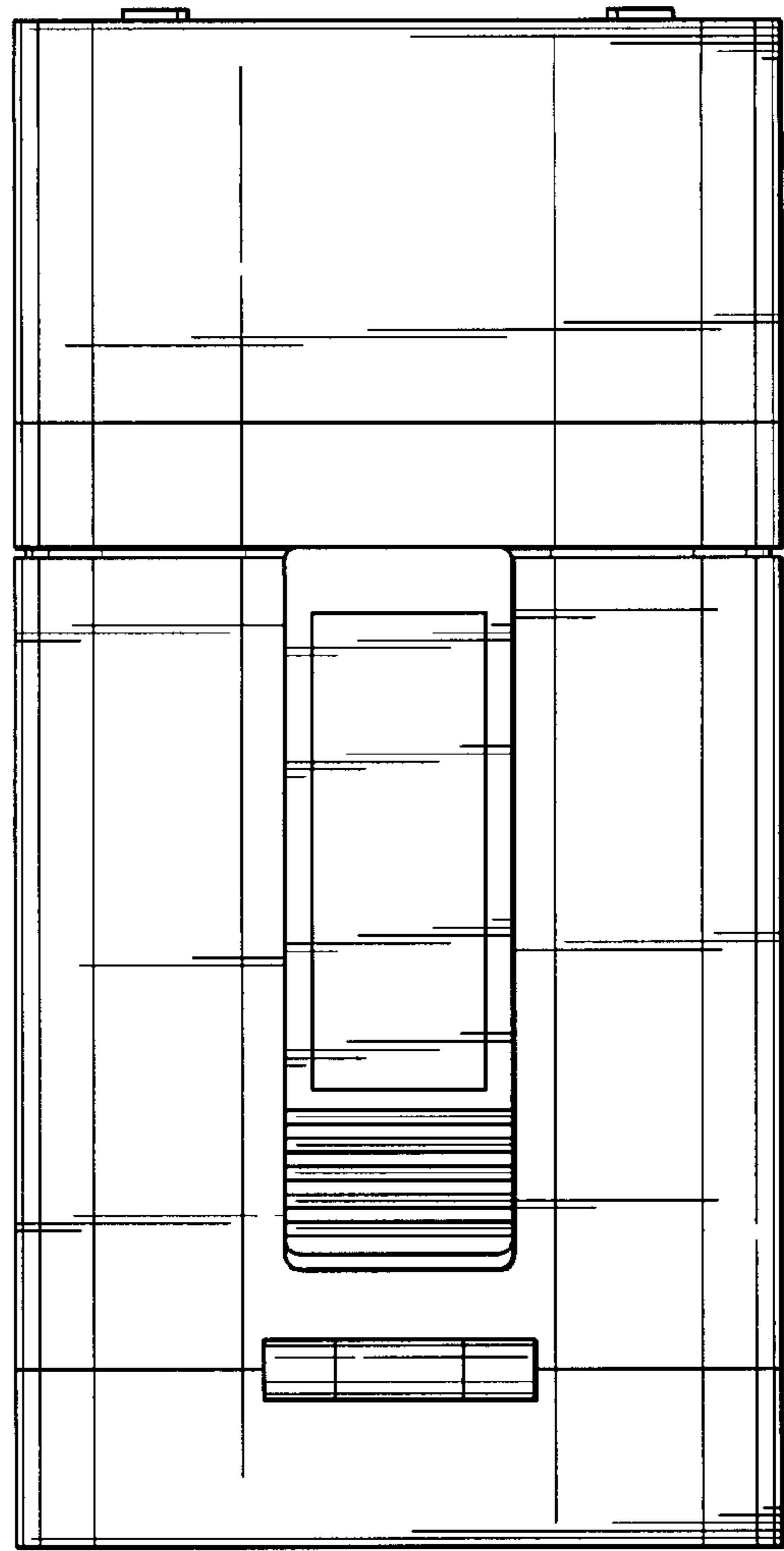


FIG. 6

FIG. 8

