



US00D451220B1

(12) **United States Design Patent**  
**Long et al.**

(10) **Patent No.:** **US D451,220 S**

(45) **Date of Patent:** **\*\* Nov. 27, 2001**

(54) **BACKYARD LANTERN**

(75) Inventors: **Norris Richard Long**, Wichita; **Gary P. Israel**; **Mitchell L. Wilgus**, both of Andover, all of KS (US); **John F. Marshall**, Provo, UT (US)

(73) Assignee: **The Coleman Company, Inc.**, Wichita, KS (US)

(\*\*) Term: **14 Years**

(21) Appl. No.: **29/138,276**

(22) Filed: **Mar. 9, 2001**

(51) **LOC (7) Cl.** ..... **26-02**

(52) **U.S. Cl.** ..... **D26/37**

(58) **Field of Search** ..... D26/37-50; 362/157, 362/162, 171, 178, 187, 189, 190, 191, 194, 195, 196, 197, 198, 199, 200, 202, 203, 205, 206

(56) **References Cited**

**U.S. PATENT DOCUMENTS**

- D. 343,242 \* 1/1994 Poon ..... D26/42
- D. 374,098 \* 9/1996 Lo ..... D26/37
- D. 382,358 \* 8/1997 Poon ..... D26/42

- D. 392,061 \* 3/1998 Lo ..... D26/42
- D. 414,886 \* 10/1999 Lo ..... D26/42
- D. 440,677 \* 4/2001 Long et al. .... D26/40

\* cited by examiner

*Primary Examiner*—Susan J. Lucas

(74) *Attorney, Agent, or Firm*—Kramer, Levin, Naftalis & Frankel LLP

(57) **CLAIM**

The ornamental design for a backyard lantern, as shown and described.

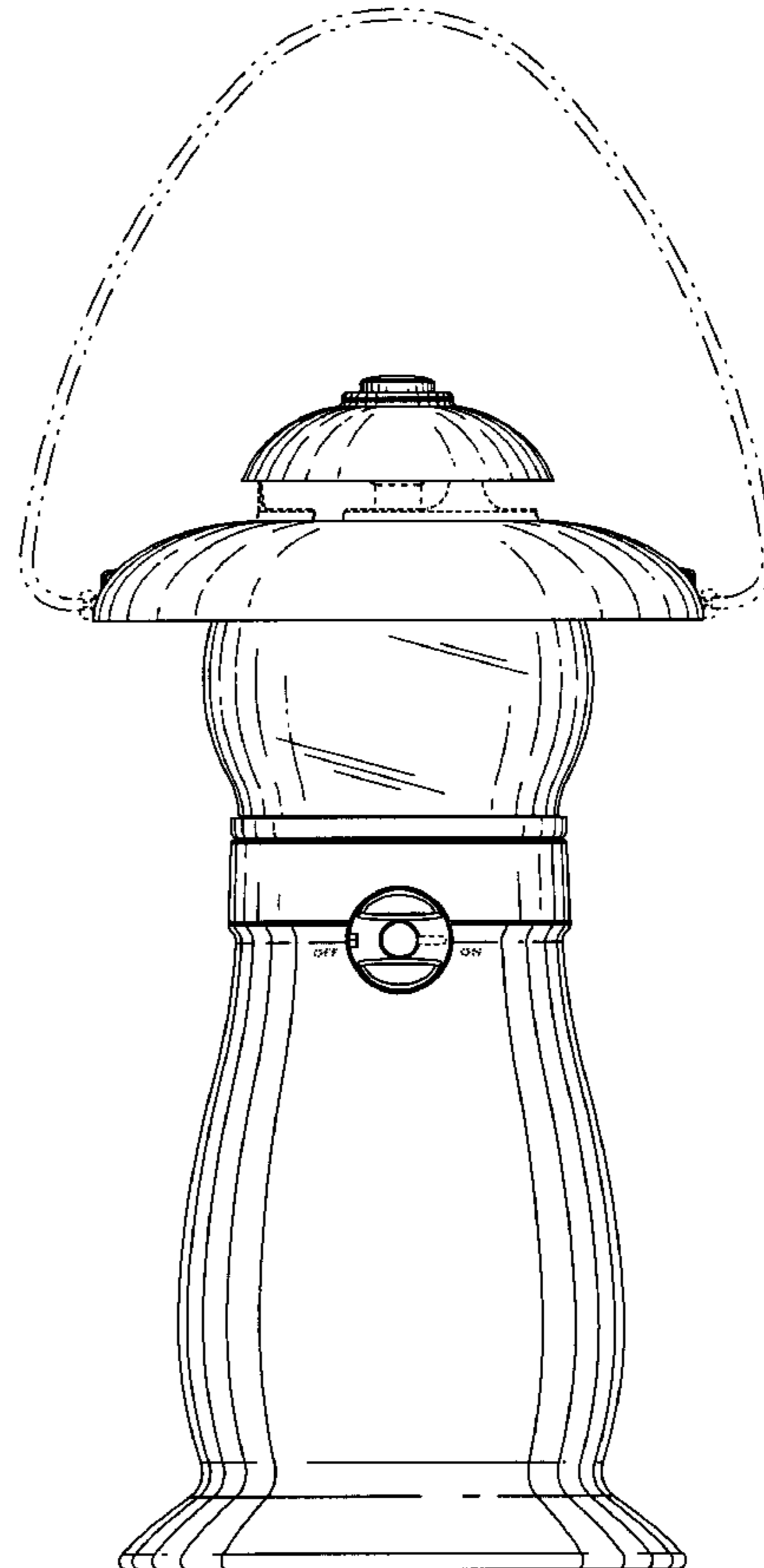
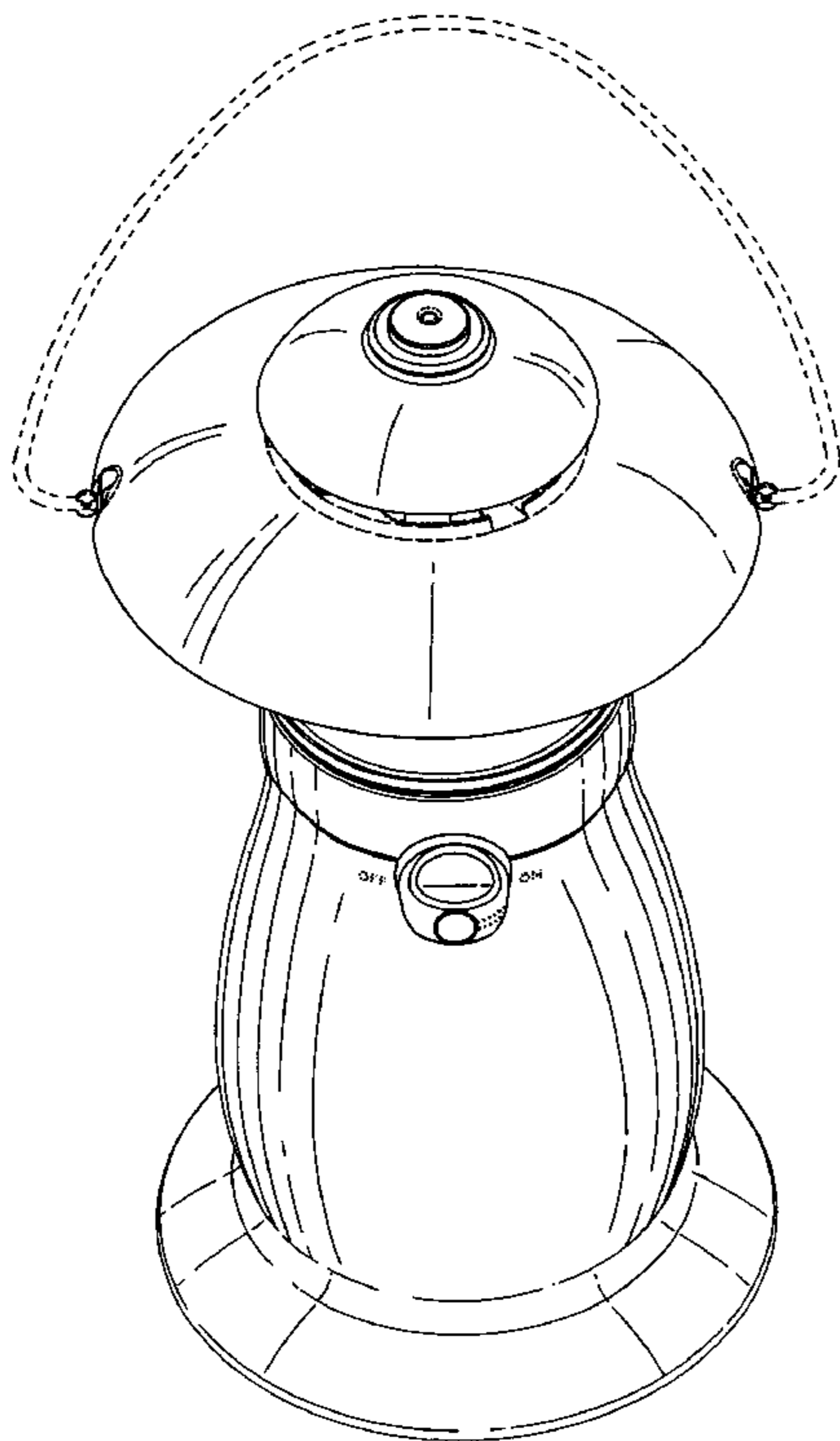
**DESCRIPTION**

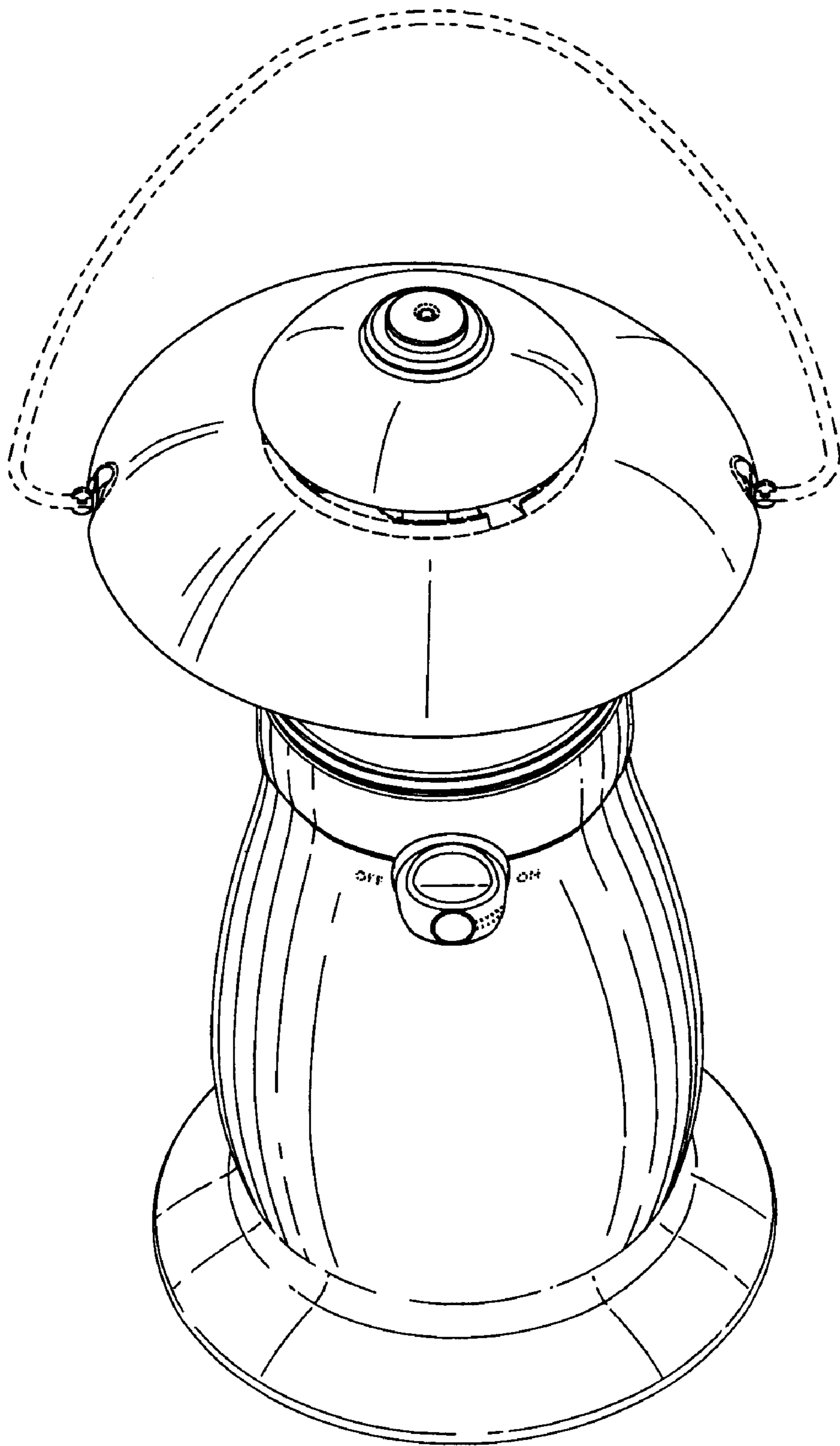
FIG. 1 is a front top perspective view of a backyard lantern according to an exemplary embodiment of the present invention.

FIG. 2 is a front elevational view of the backyard lantern. FIG. 3 is a back elevational view of the backyard lantern. FIG. 4 is a left side elevational view of the backyard lantern. FIG. 5 is a right side elevational view of the backyard lantern.

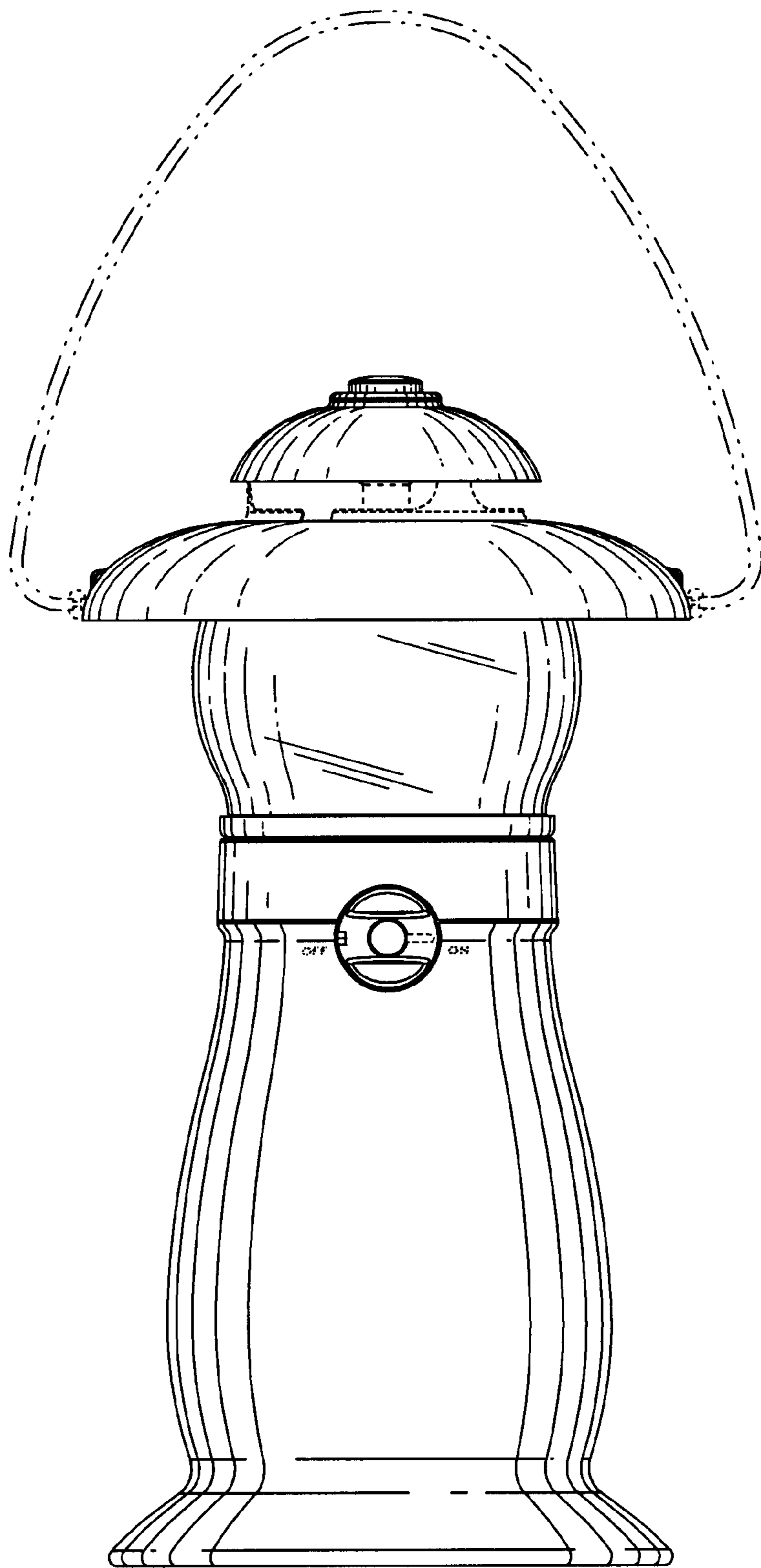
FIG. 6 is a top plan view of the backyard lantern; and, FIG. 7 is a bottom plan view of the backyard lantern. The broken lines are shown for illustrative purposes only and form no part of the claimed design.

**1 Claim, 7 Drawing Sheets**

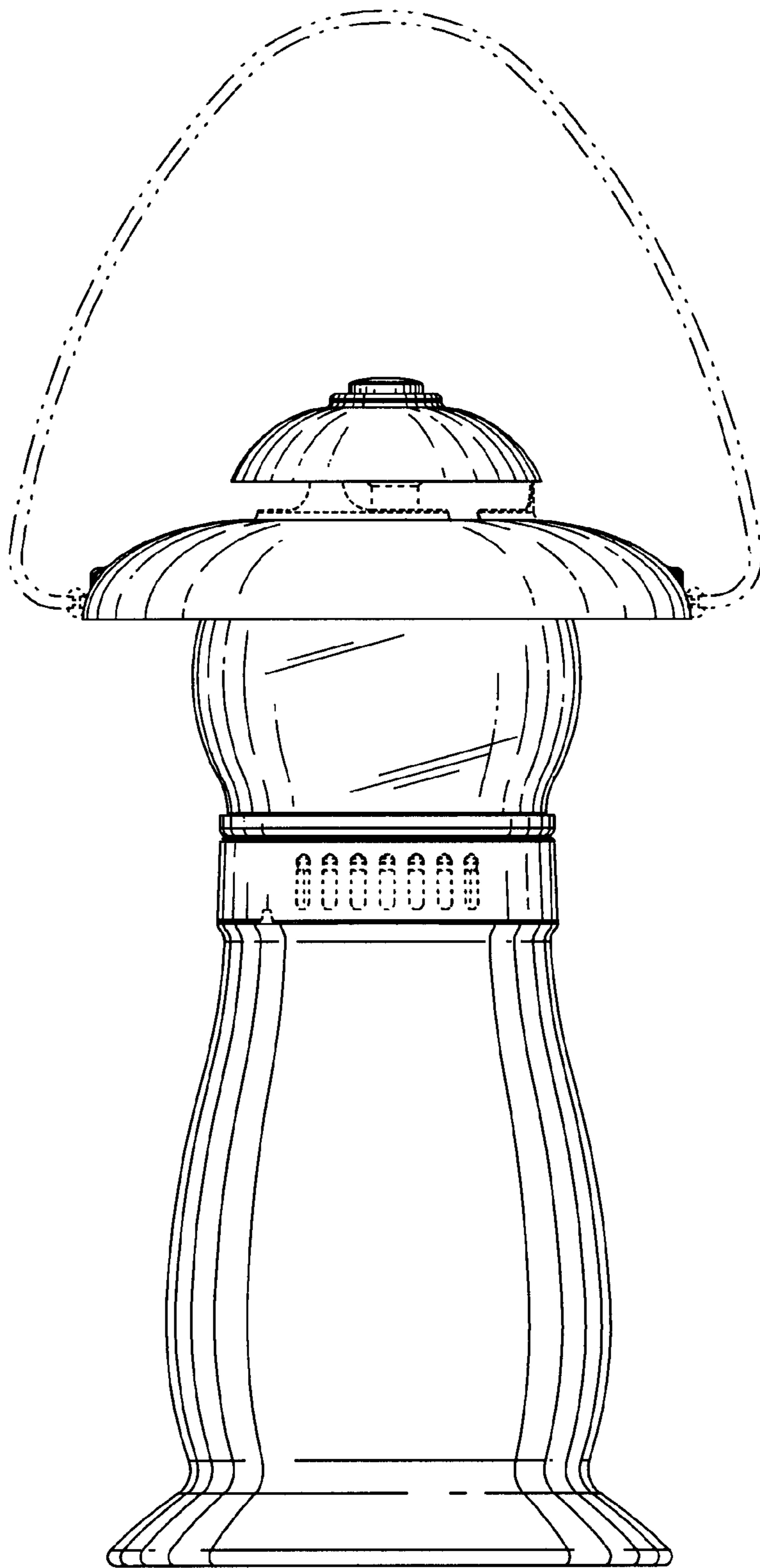




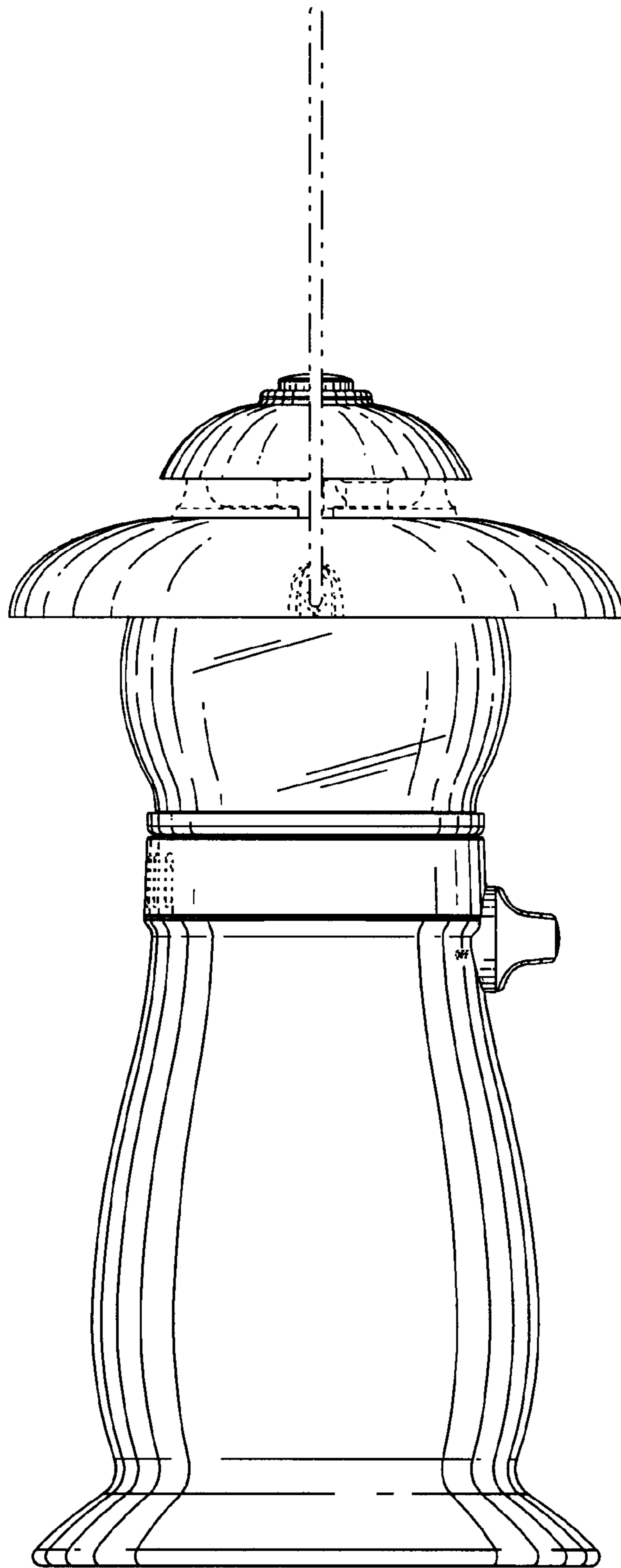
**FIG. 1**



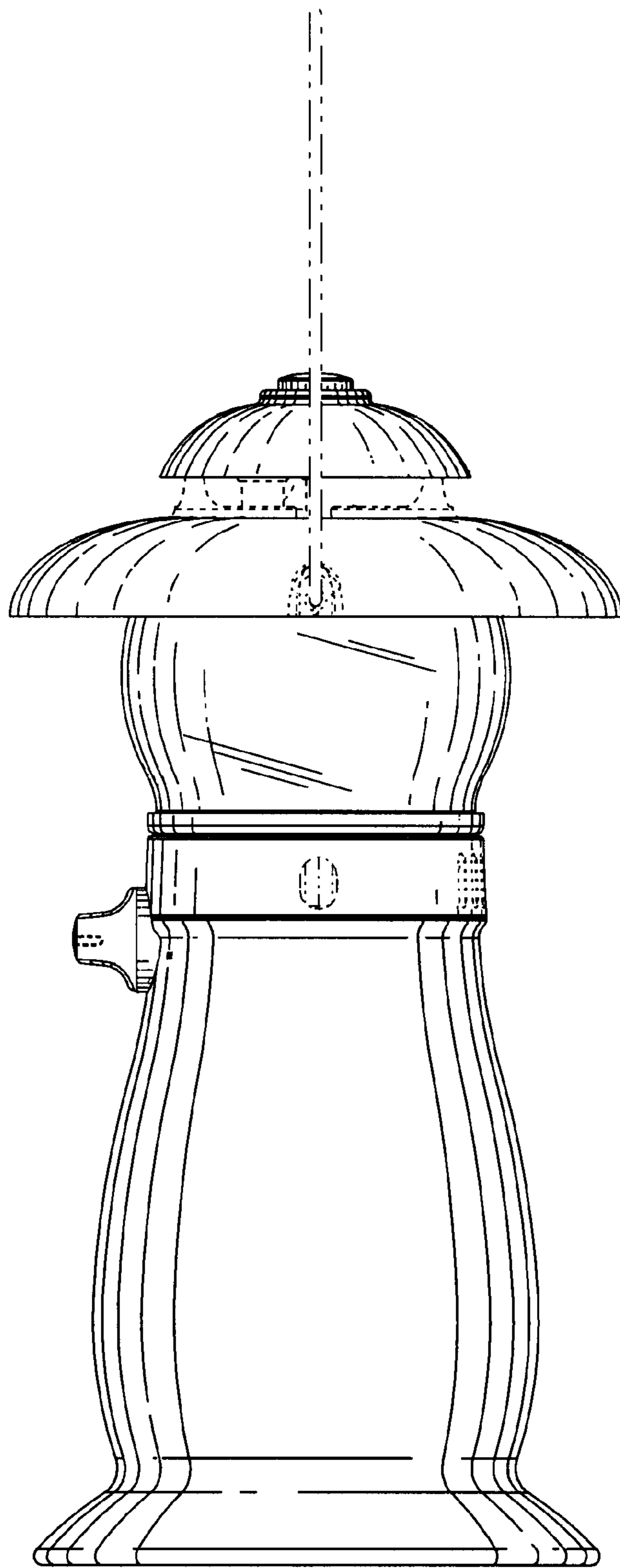
*FIG. 2*



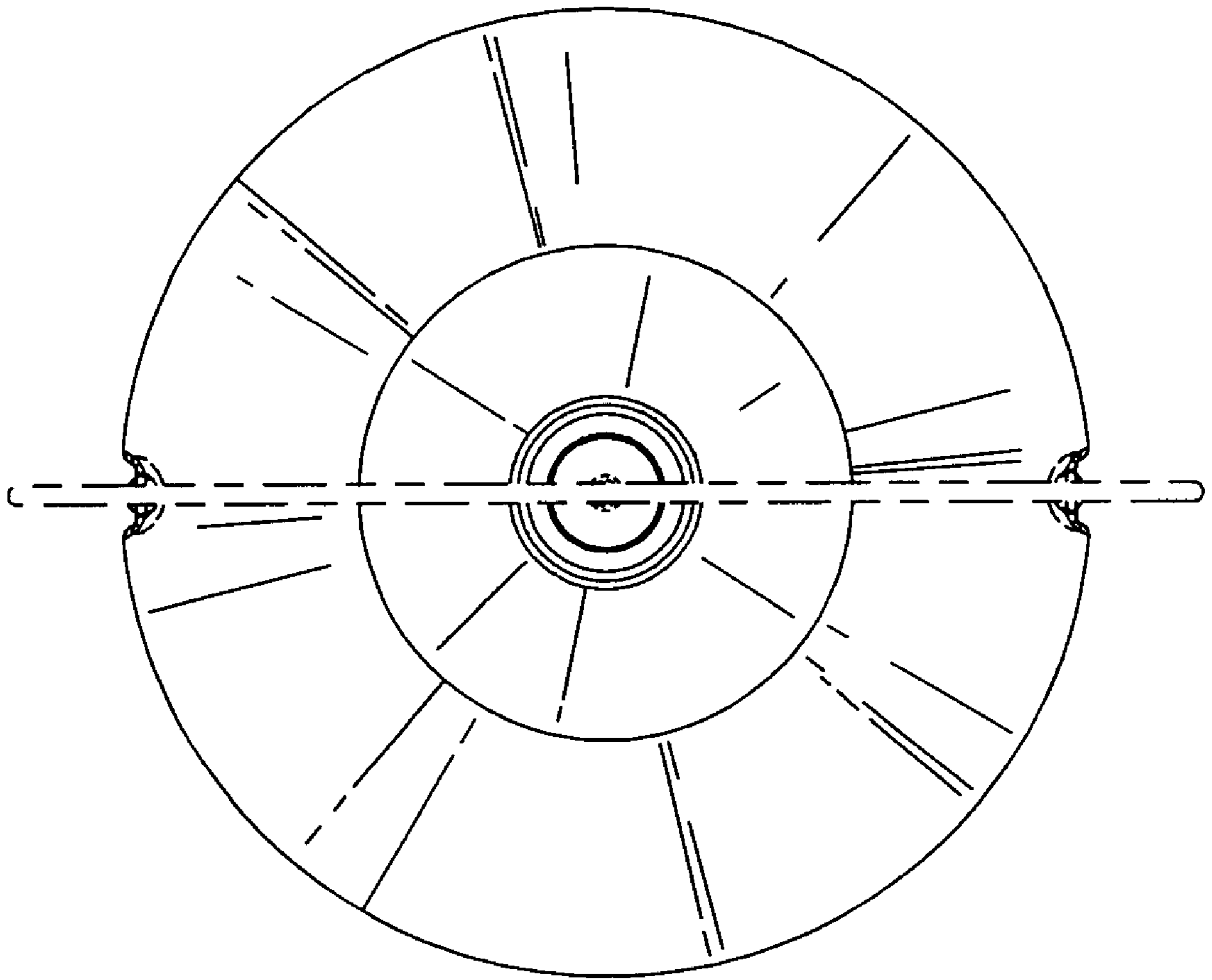
*FIG. 3*



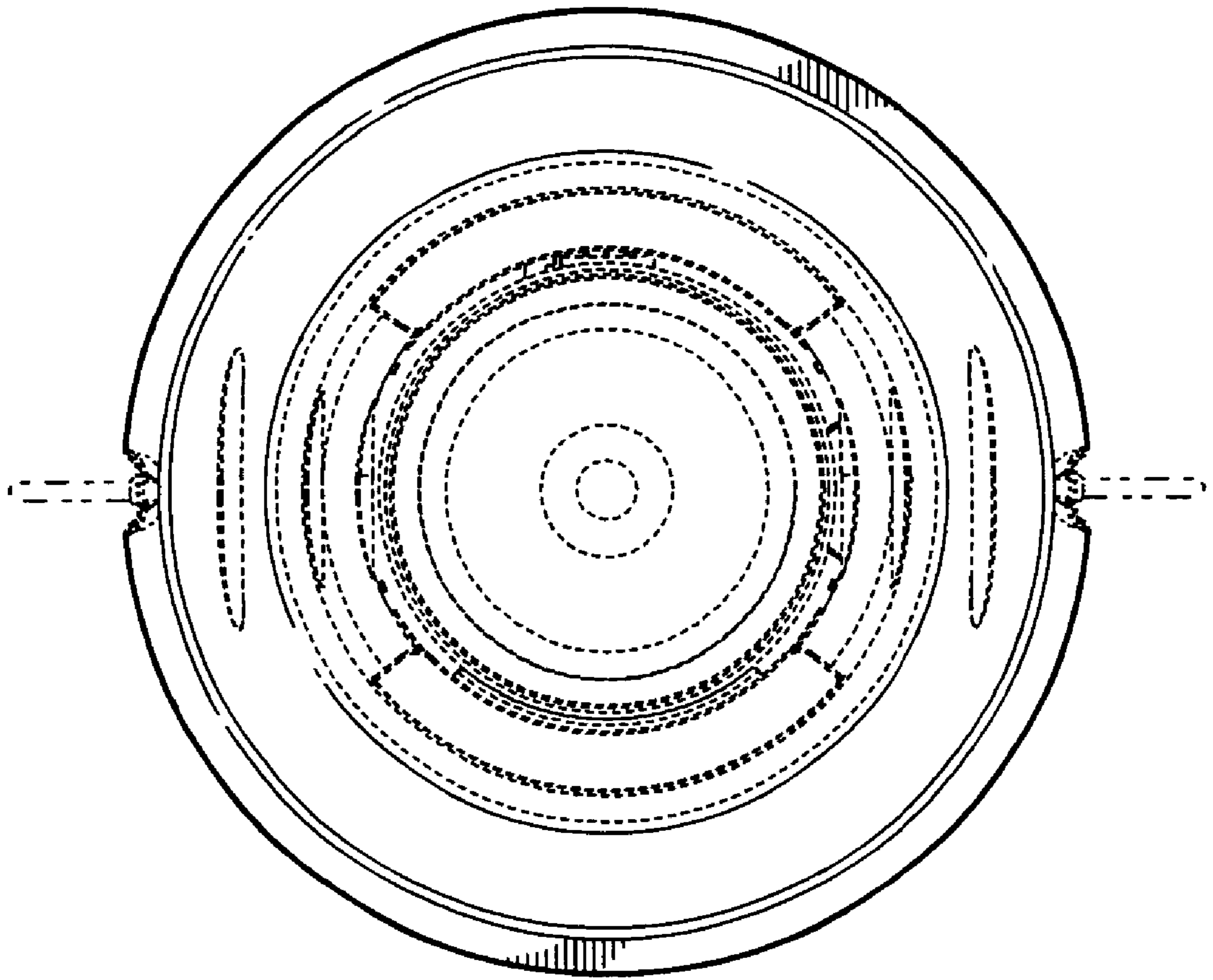
*FIG. 4*



*FIG. 5*



***FIG. 6***



*FIG. 7*