



US00D451219B2

(12) **United States Design Patent**
Lin

(10) **Patent No.:** **US D451,219 S**

(45) **Date of Patent:** **** Nov. 27, 2001**

(54) **COVER FOR VEHICLE LIGHT**

(75) Inventor: **Benny Lin**, Taipei (TW)

(73) Assignee: **Diamond Eyes Enterprise Co., Ltd.**,
Taipei (TW)

(**) Term: **14 Years**

(21) Appl. No.: **29/140,985**

(22) Filed: **Apr. 30, 2001**

(51) **LOC (7) Cl.** **26-06**

(52) **U.S. Cl.** **D26/28**

(58) **Field of Search** D26/28-36; 362/61,
362/80, 81, 82, 83, 83.4, 267, 269, 275

(56) **References Cited**

U.S. PATENT DOCUMENTS

D. 412,370 * 7/1999 Cece D26/28

D. 427,363 * 6/2000 Sacco et al. D26/28

* cited by examiner

Primary Examiner—Marcus A. Jackson

(74) *Attorney, Agent, or Firm*—Dougherty & Troxell

(57) **CLAIM**

The ornamental design for a cover for vehicle light, as shown and described.

DESCRIPTION

FIG. 1 is a perspective view of the cover for vehicle light showing the new design;

FIG. 2 is a front view of the new design;

FIG. 3 is a rear view of the new design;

FIG. 4 is a left view of the new design;

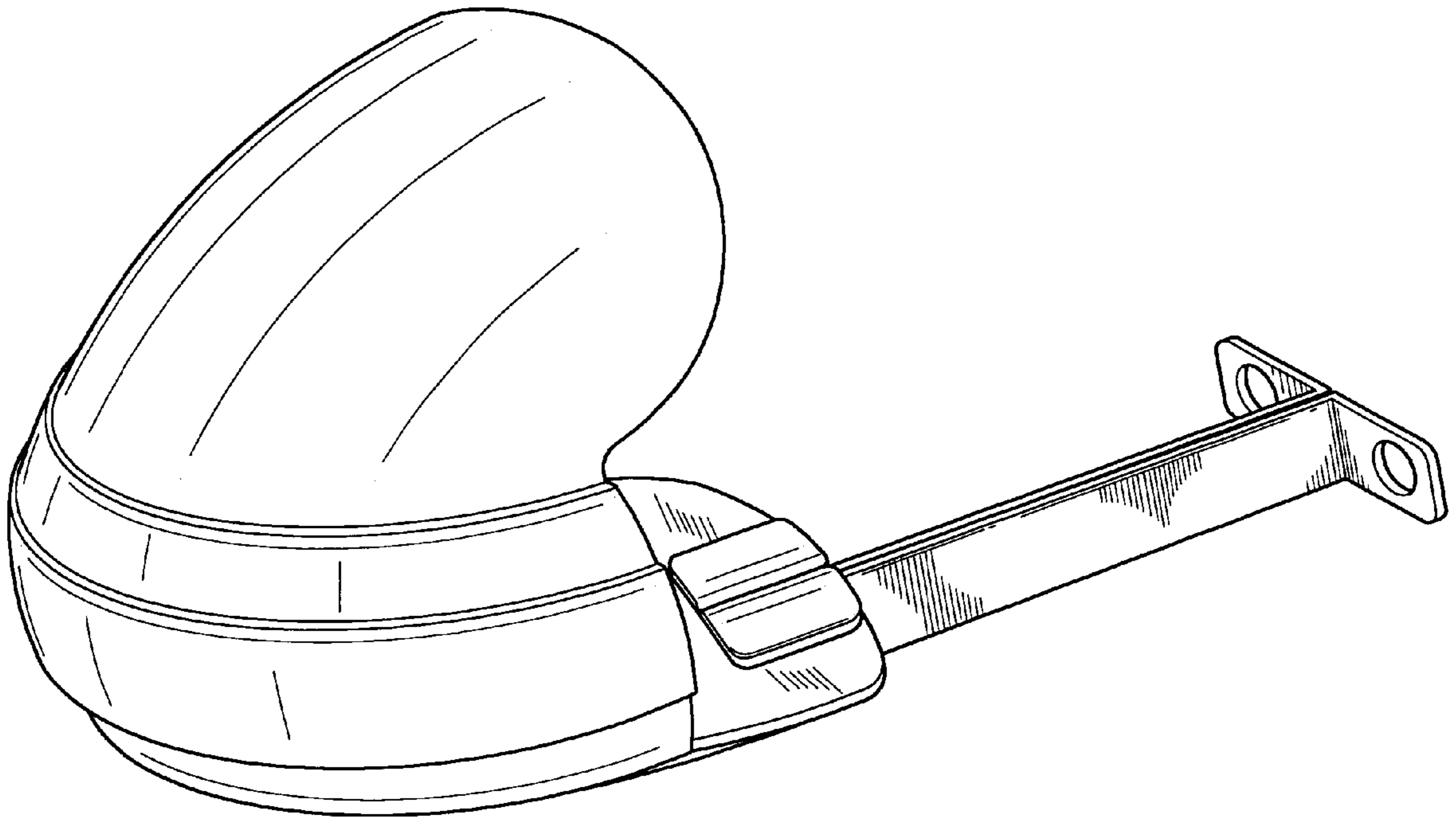
FIG. 5 is a right view of the new design;

FIG. 6 is a top view of the new design;

FIG. 7 is a bottom view of the new design; and,

FIG. 8 is a reduced perspective view thereof, with the broken line showing for illustrative purposes only and forming no part of the claimed design.

1 Claim, 8 Drawing Sheets



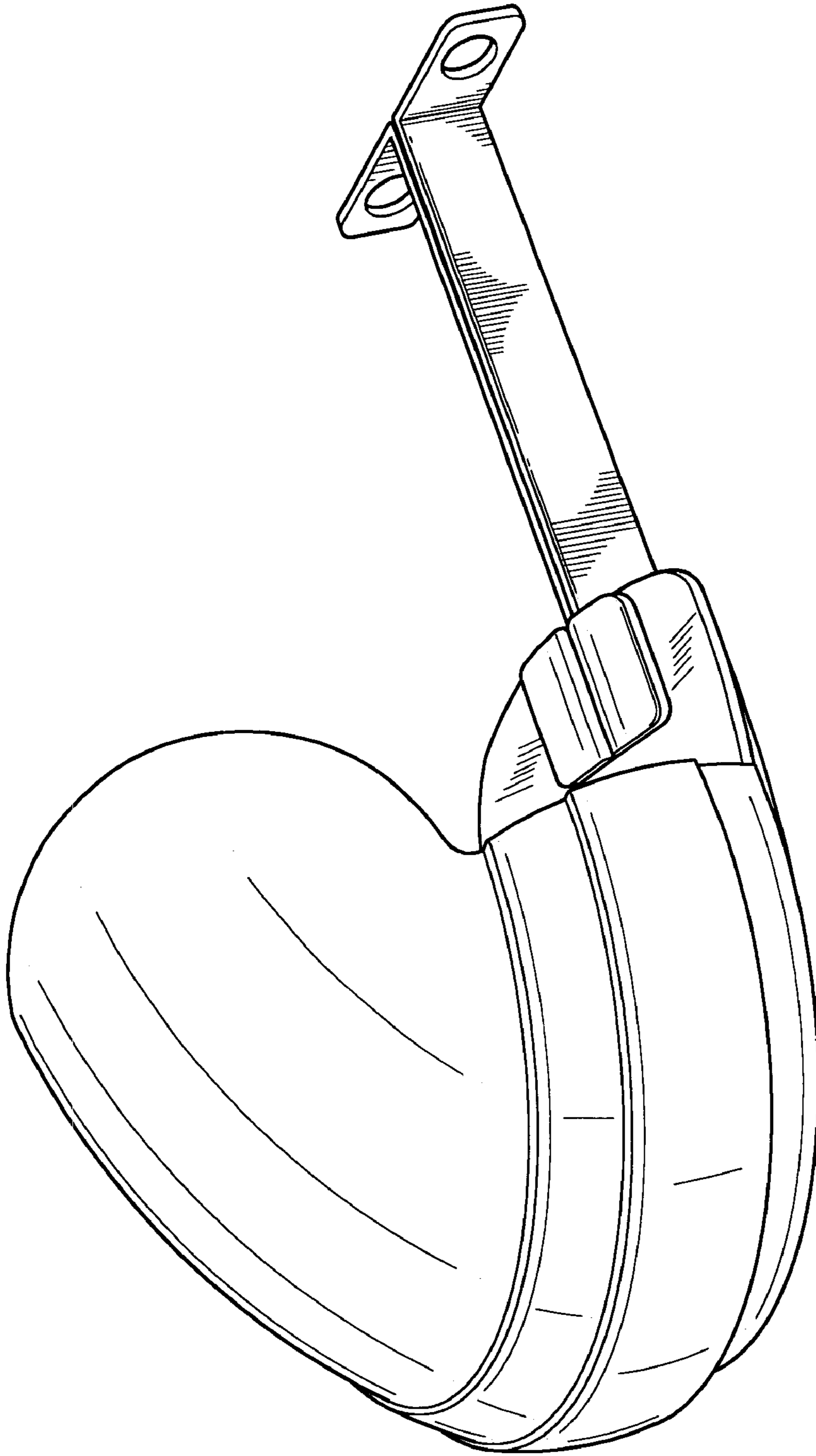


Fig. 1

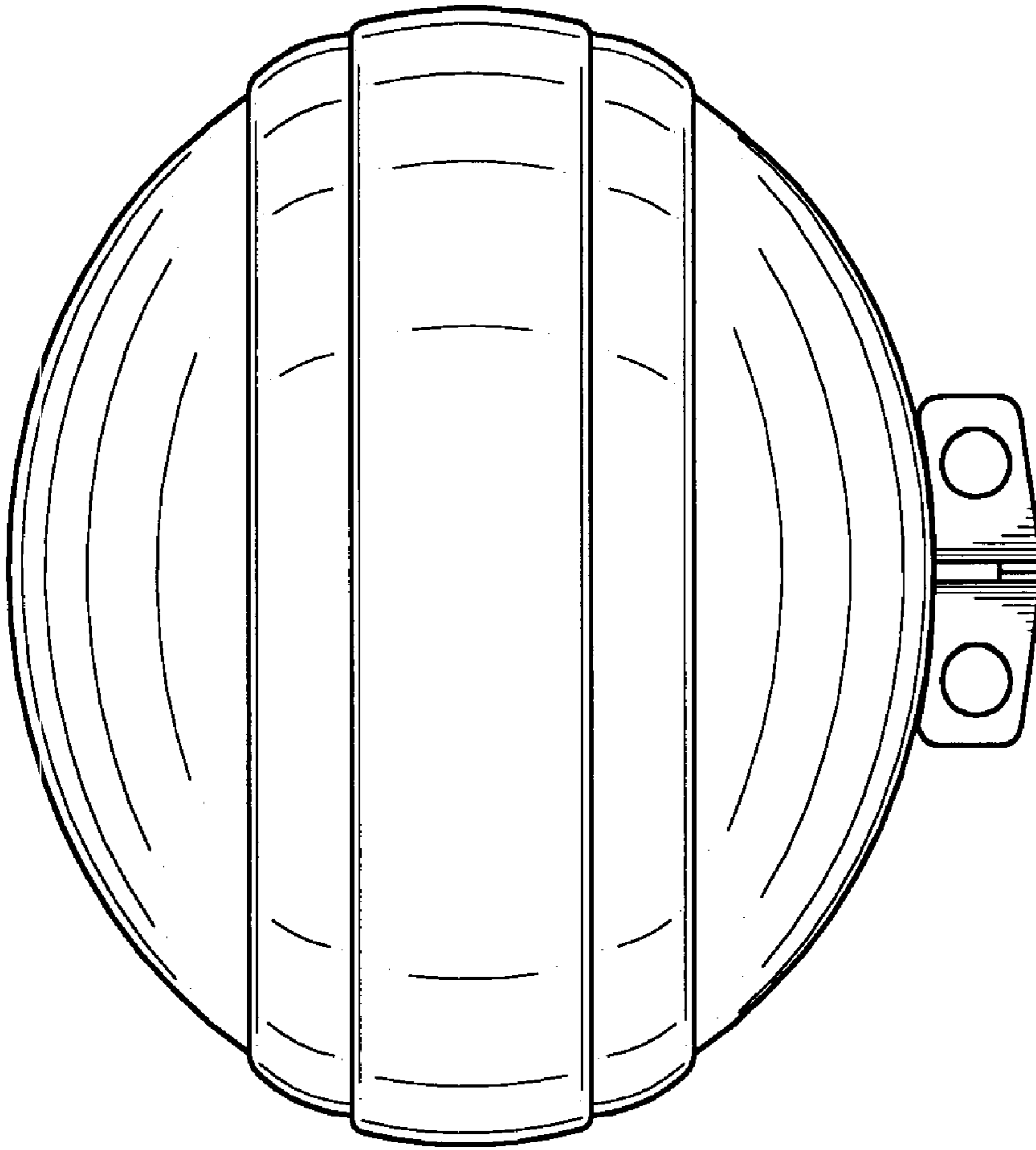


Fig. 2

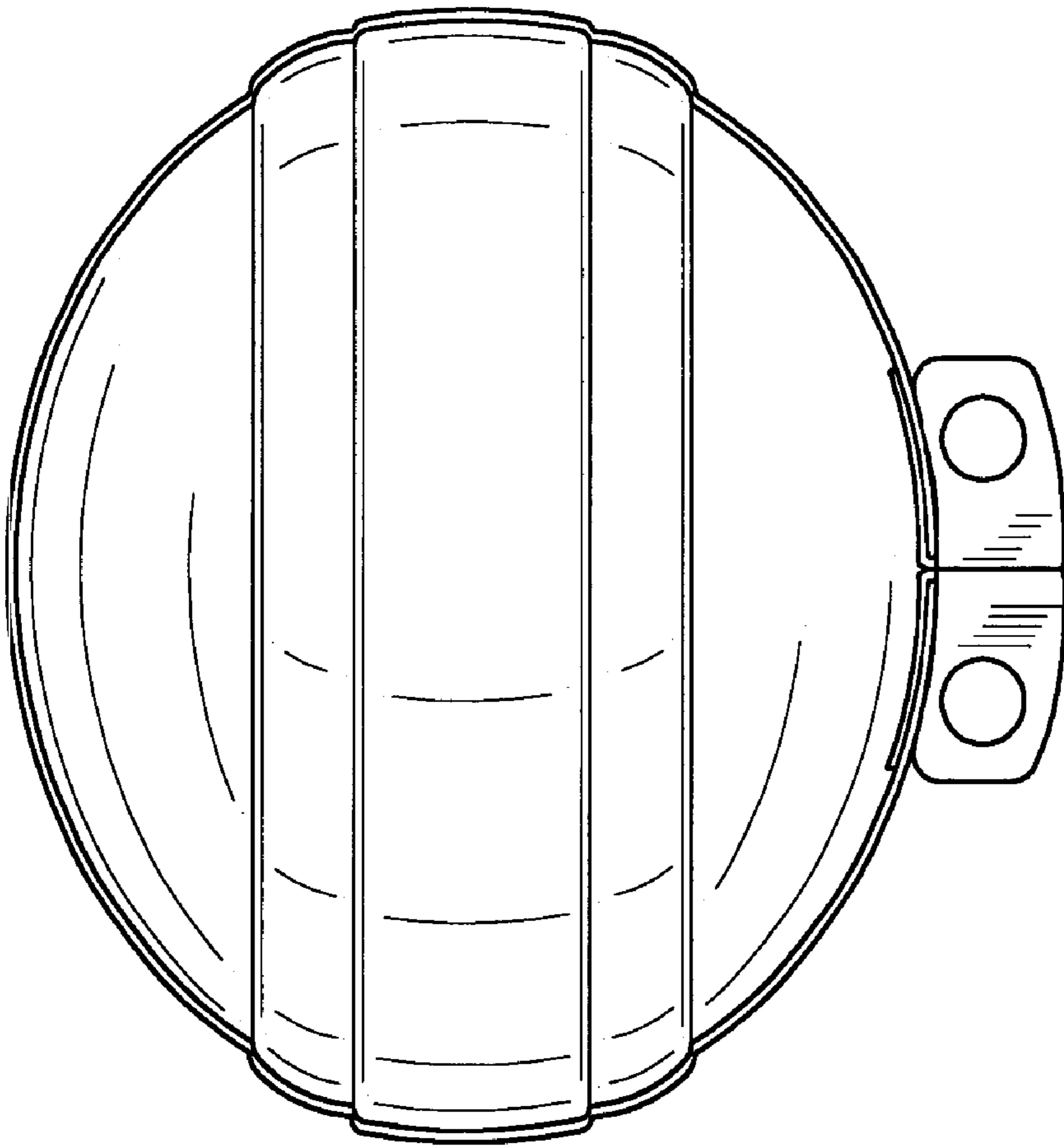


Fig. 3

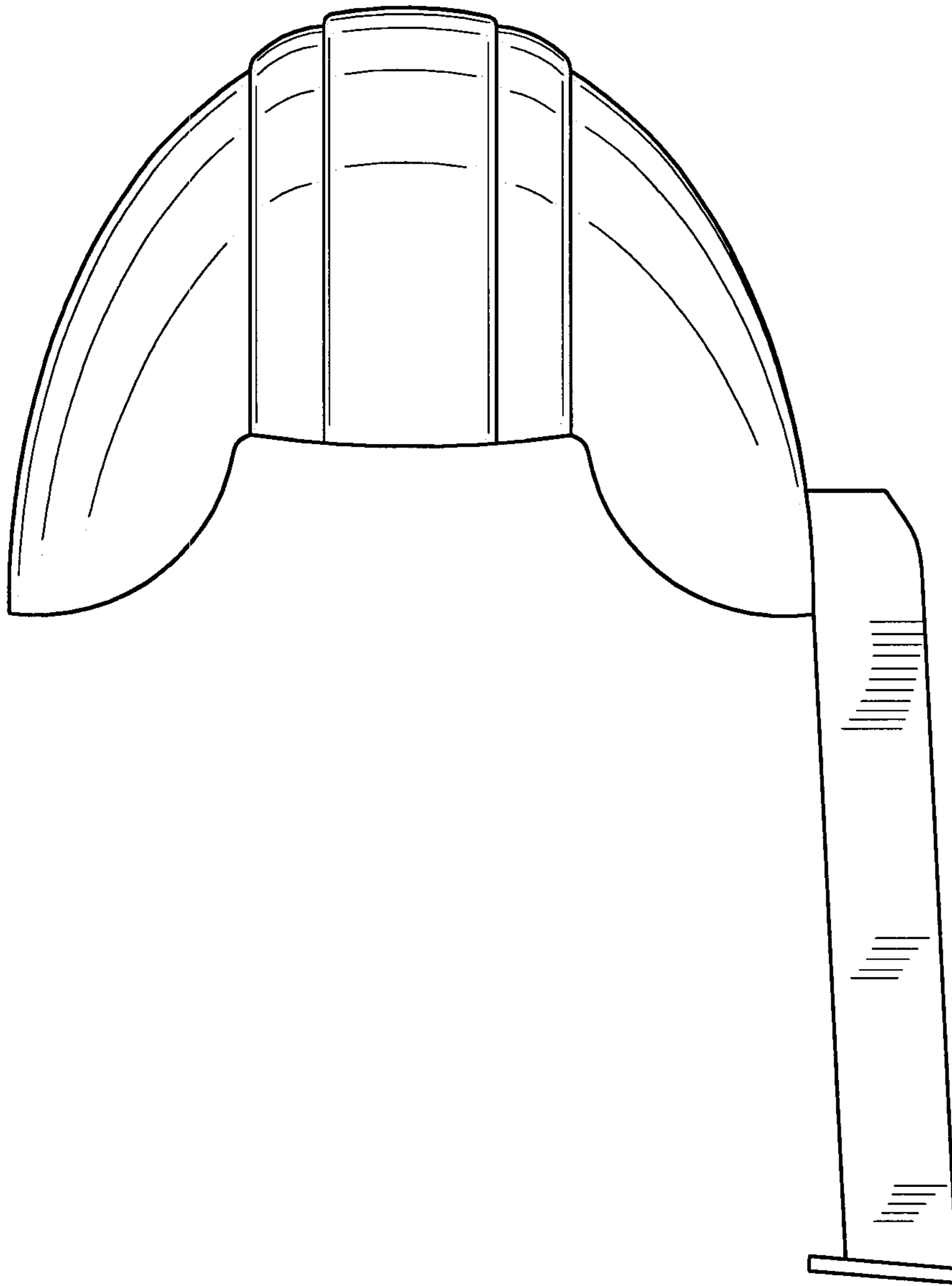


Fig. 4

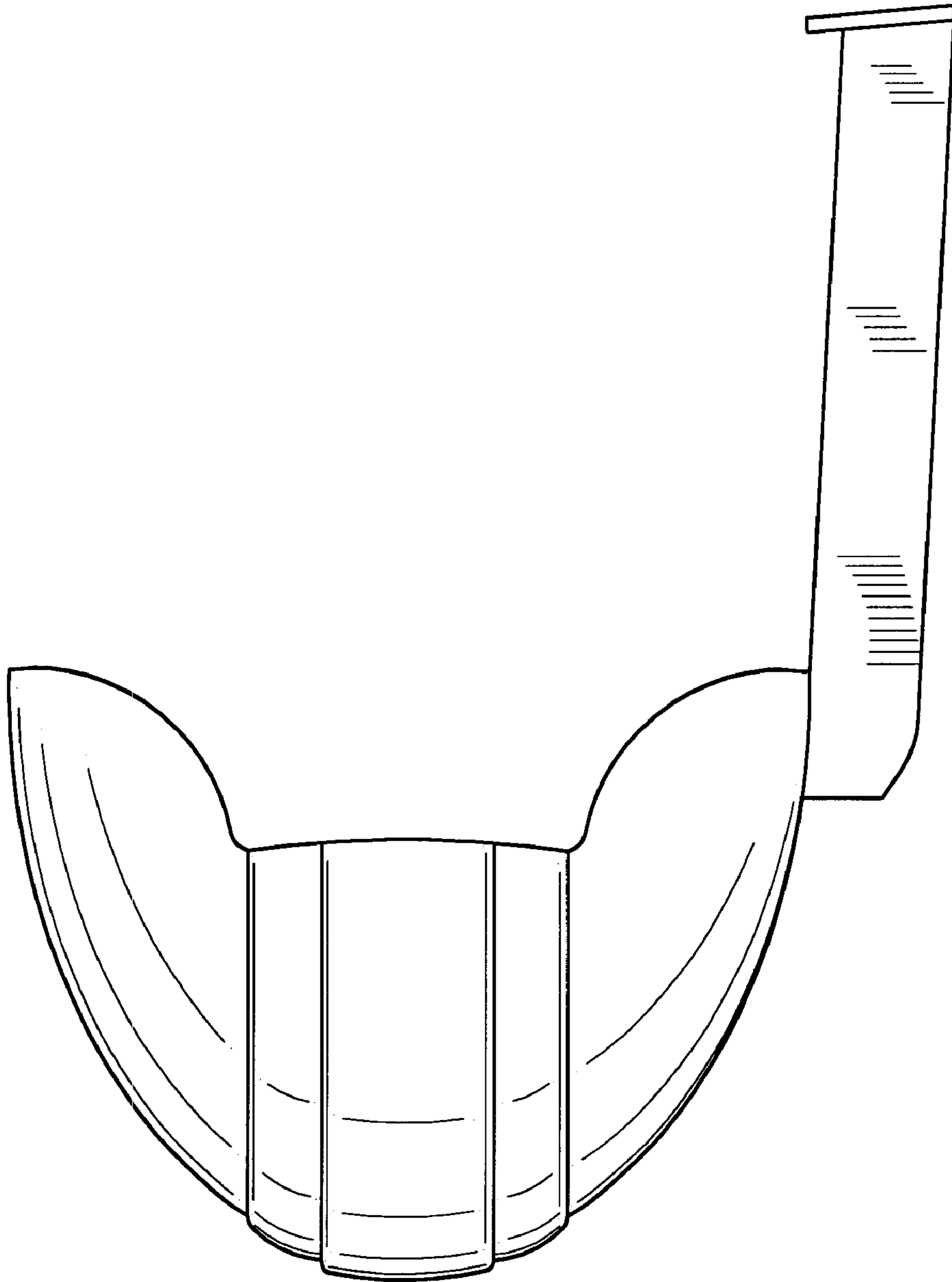


Fig. 5

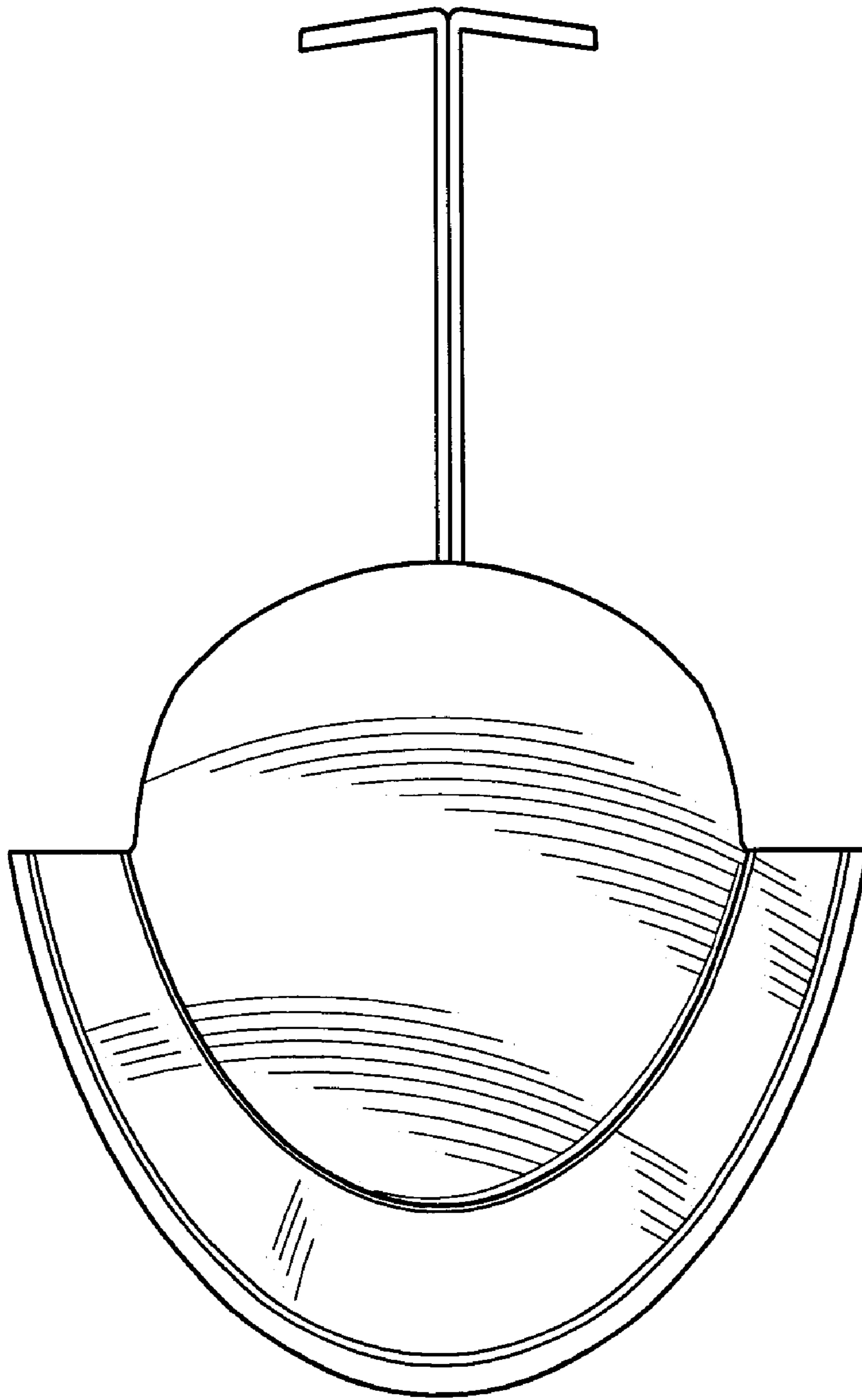


Fig. 6

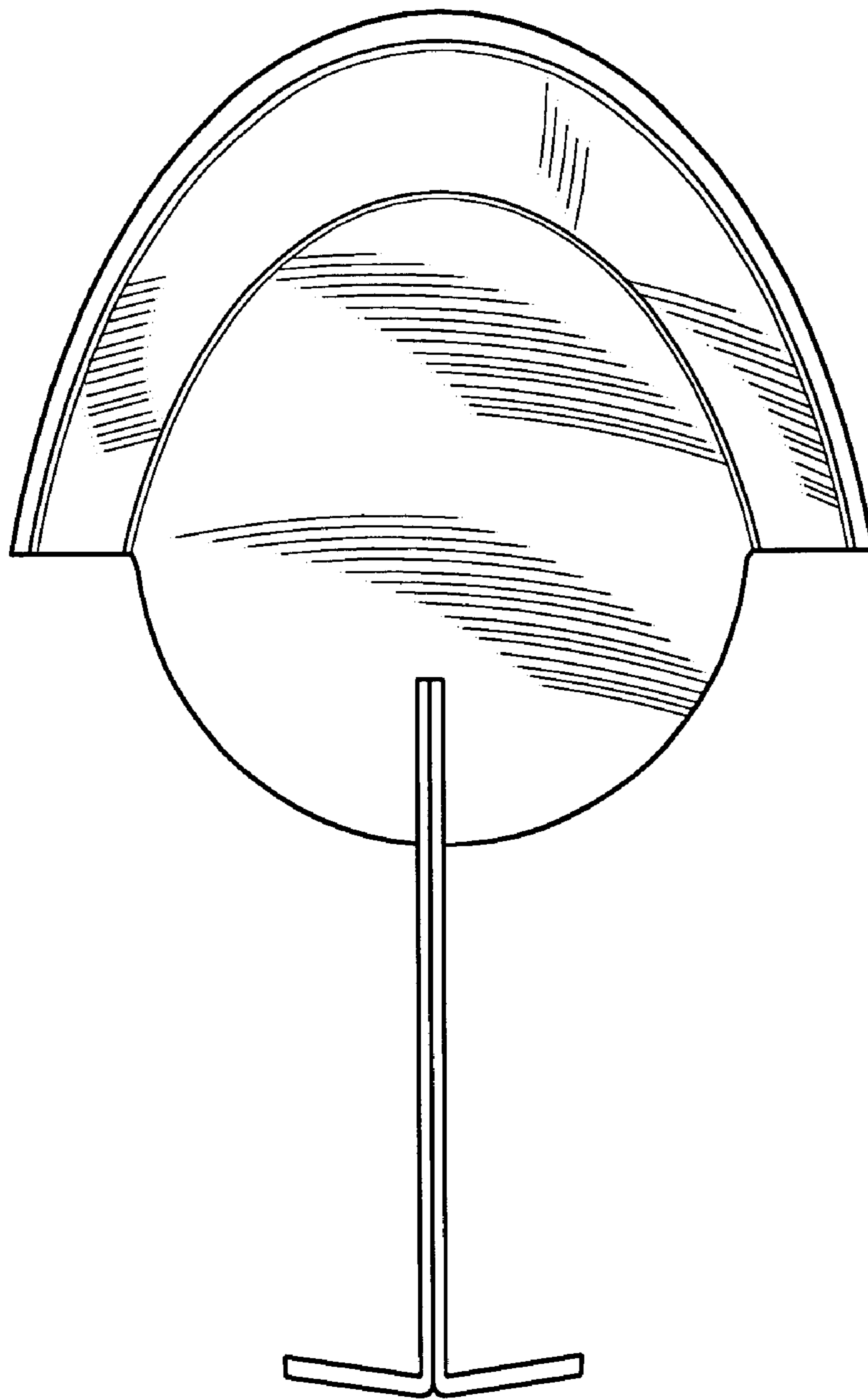


Fig. 7

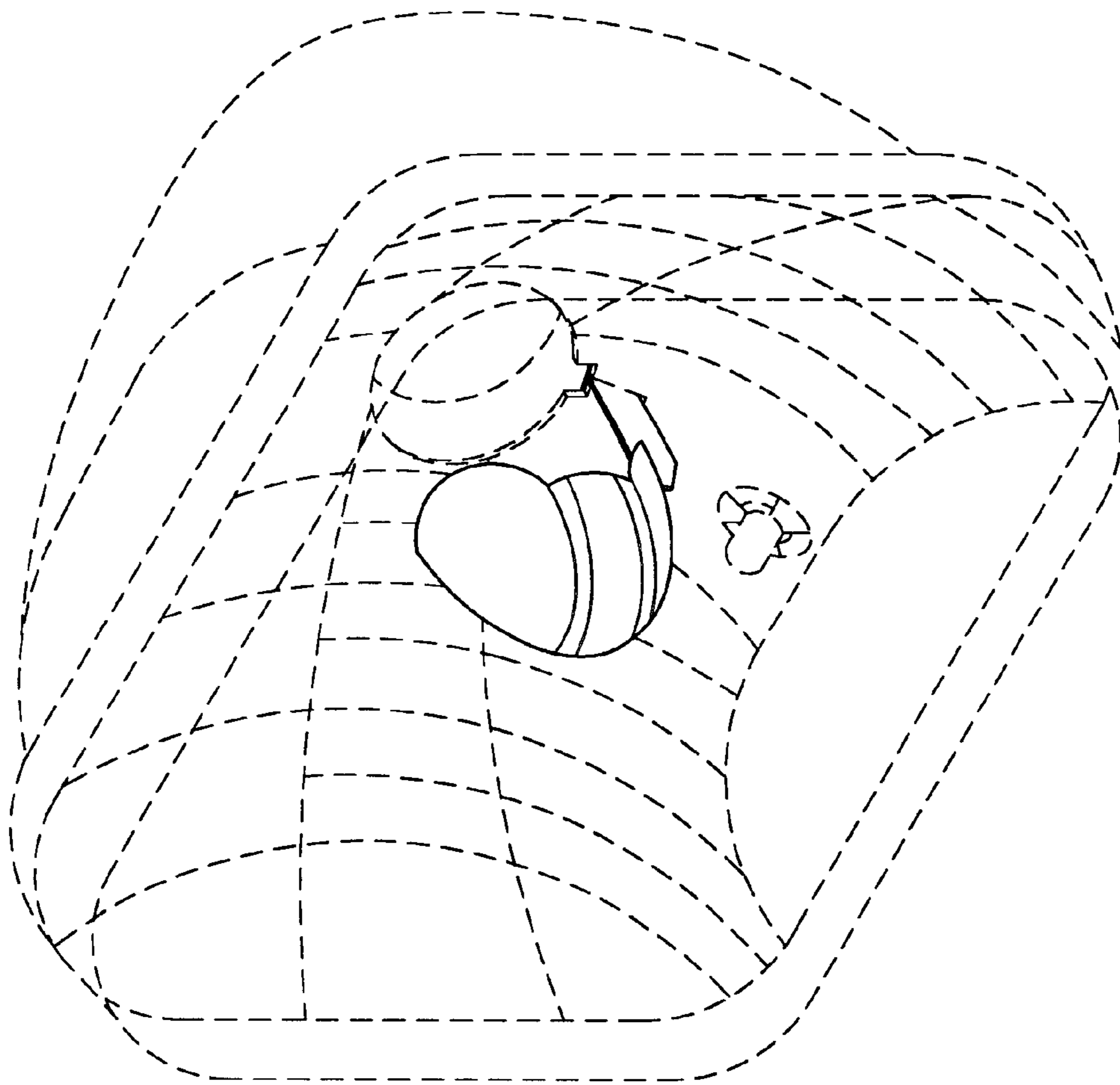


Fig. 8