



US00D451216B1

(12) **United States Design Patent**
Huffman

(10) **Patent No.:** **US D451,216 S**

(45) **Date of Patent:** **** Nov. 27, 2001**

(54) **AUXILIARY BRAKE LIGHT**

(76) **Inventor:** **Jared D. Huffman**, 194 Hwy. 310,
Waterford, MS (US) 38685

(**) **Term:** **14 Years**

(21) **Appl. No.:** **29/137,814**

(22) **Filed:** **Mar. 1, 2001**

Related U.S. Application Data

(63) Continuation of application No. 09/429,916, filed on Oct. 29, 1999, now Pat. No. 6,217,200.

(51) **LOC (7) Cl.** **26-02**

(52) **U.S. Cl.** **D26/28**

(58) **Field of Search** D26/28-36; D21/581,
D21/424; D12/82, 86, 90, 91, 92; 362/459,
460, 465, 487, 497, 498, 499, 541, 542,
543, 544, 546, 549; 340/901, 472, 471,
468, 467, 465

(56) **References Cited**

U.S. PATENT DOCUMENTS

D. 124,607 * 1/1941 Hutt D26/28
D. 424,723 * 5/2000 Hall et al. D26/28

D. 443,084	*	5/2001	Nagano	D26/28
3,870,875		3/1975	Altimus	240/2 R
5,157,591		10/1992	Chudzik	362/80
5,273,399		12/1993	Ojeda	416/147 R
5,613,886		3/1997	Cribbs	440/2
5,664,975		9/1997	Carlisle	440/49
5,725,228		3/1998	Livingston	280/49
5,980,073		11/1999	Whipple	362/485

* cited by examiner

Primary Examiner—Susan J. Lucas

(74) *Attorney, Agent, or Firm*—Oliff & Berridge, PLC

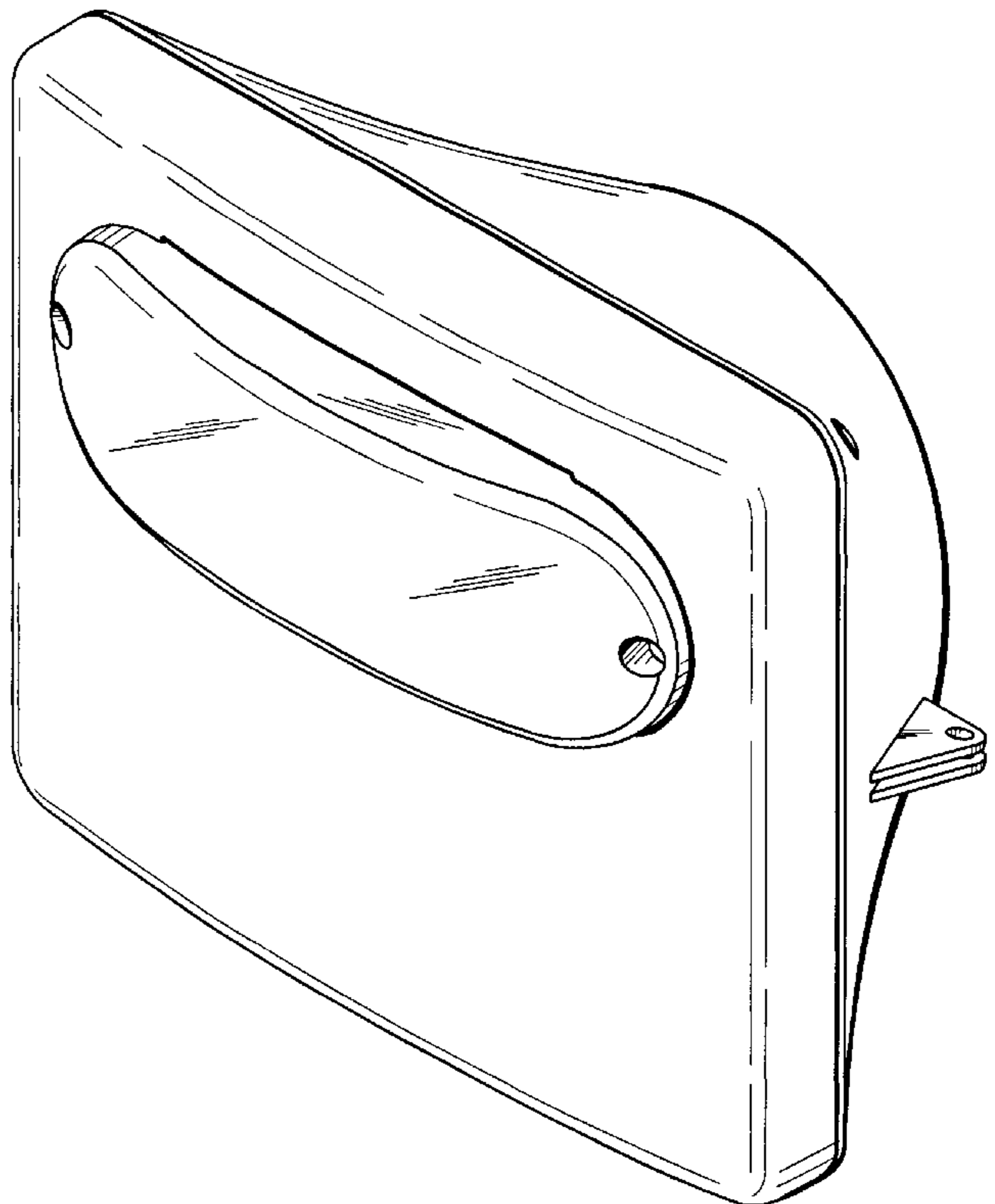
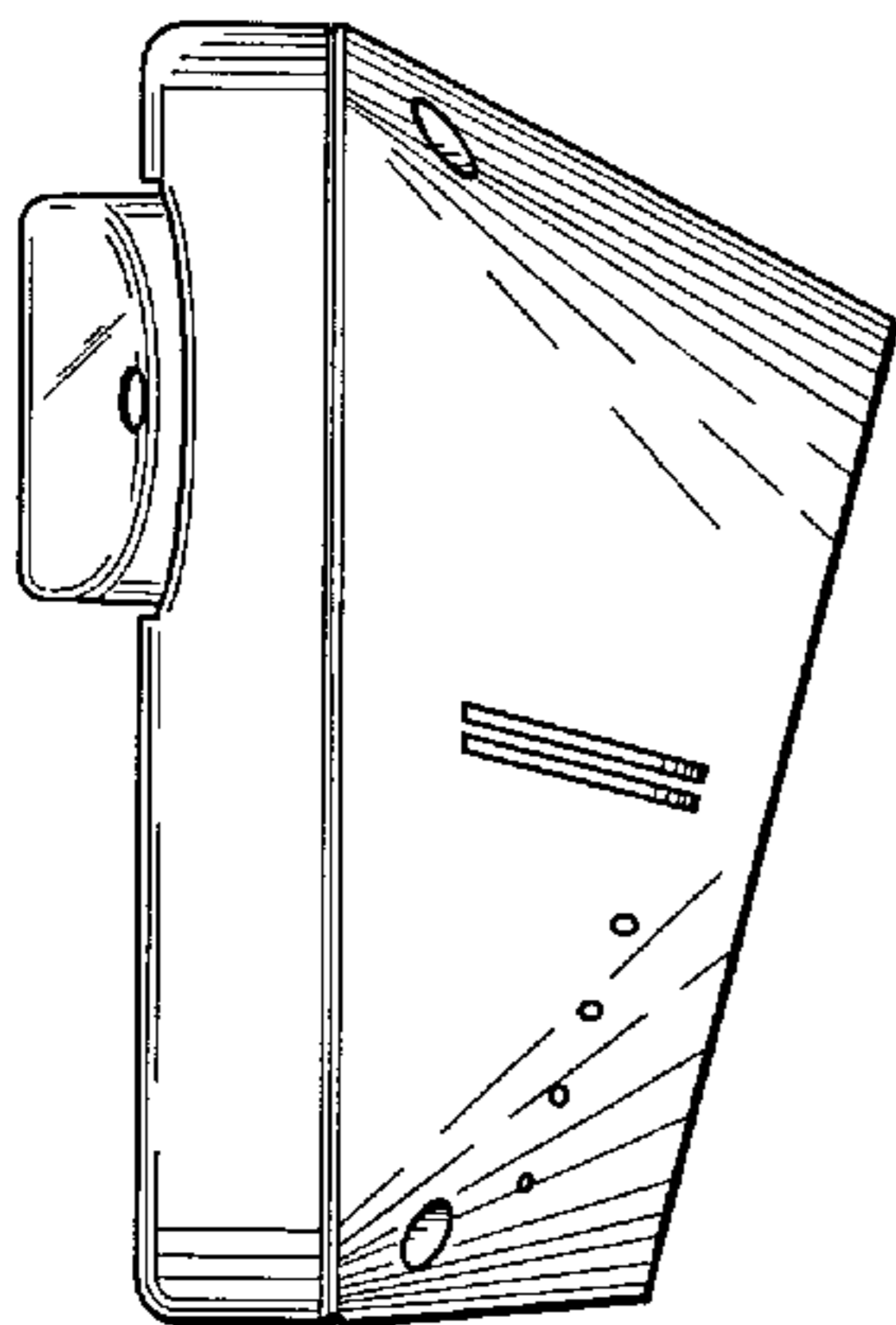
(57) **CLAIM**

The ornamental design for an auxiliary brake light, as shown and described.

DESCRIPTION

FIG. 1 is a right side elevational view of an auxiliary brake light showing my design, the left side being a mirror image; FIG. 2 is a rear elevational view thereof; FIG. 3 is a front elevational view thereof; FIG. 4 is a top plan view thereof; FIG. 5 is a bottom plan view thereof; FIG. 6 is a rear perspective view thereof; and, FIG. 7 is a front perspective view thereof.

1 Claim, 2 Drawing Sheets



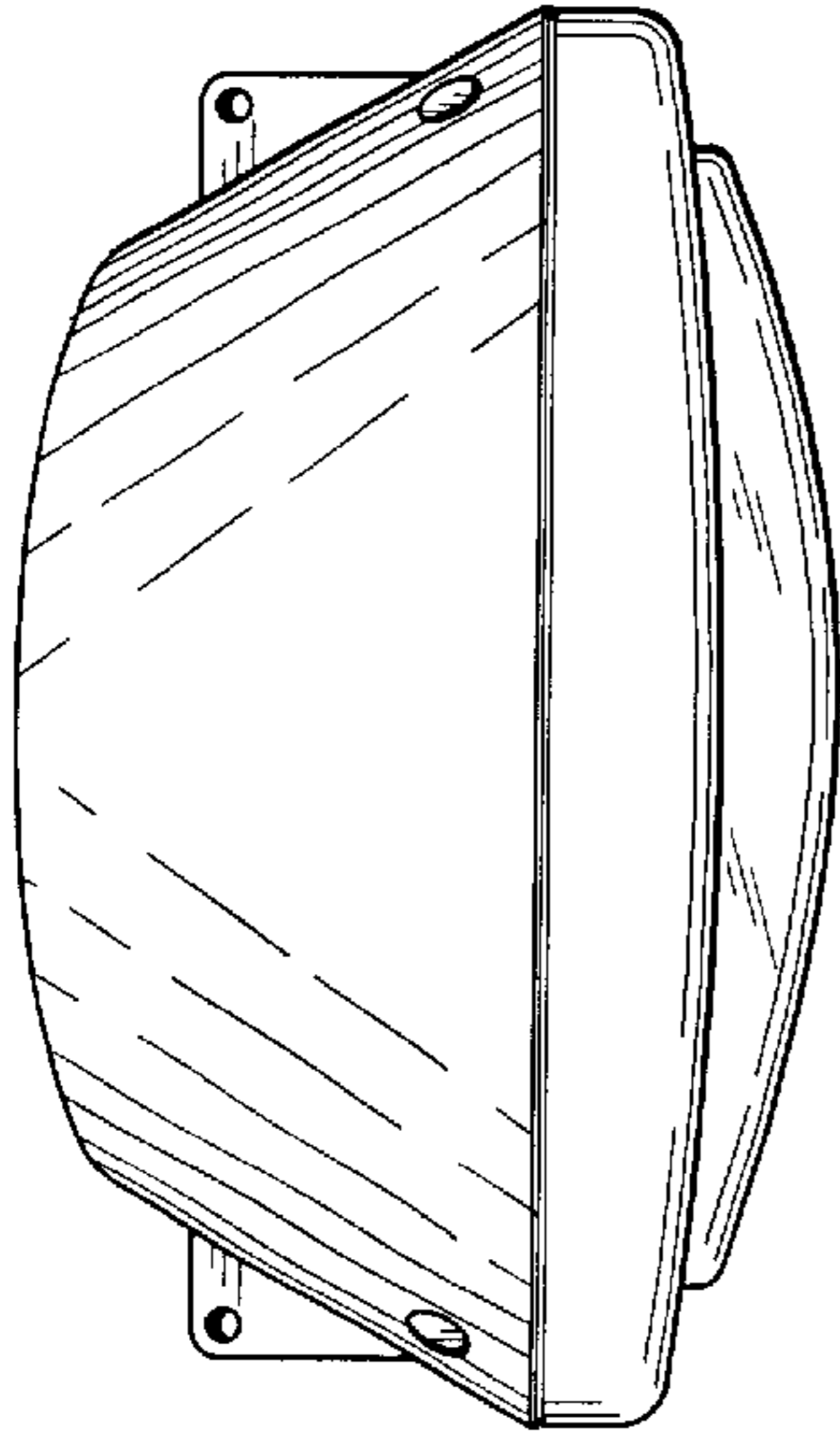


FIG. 4

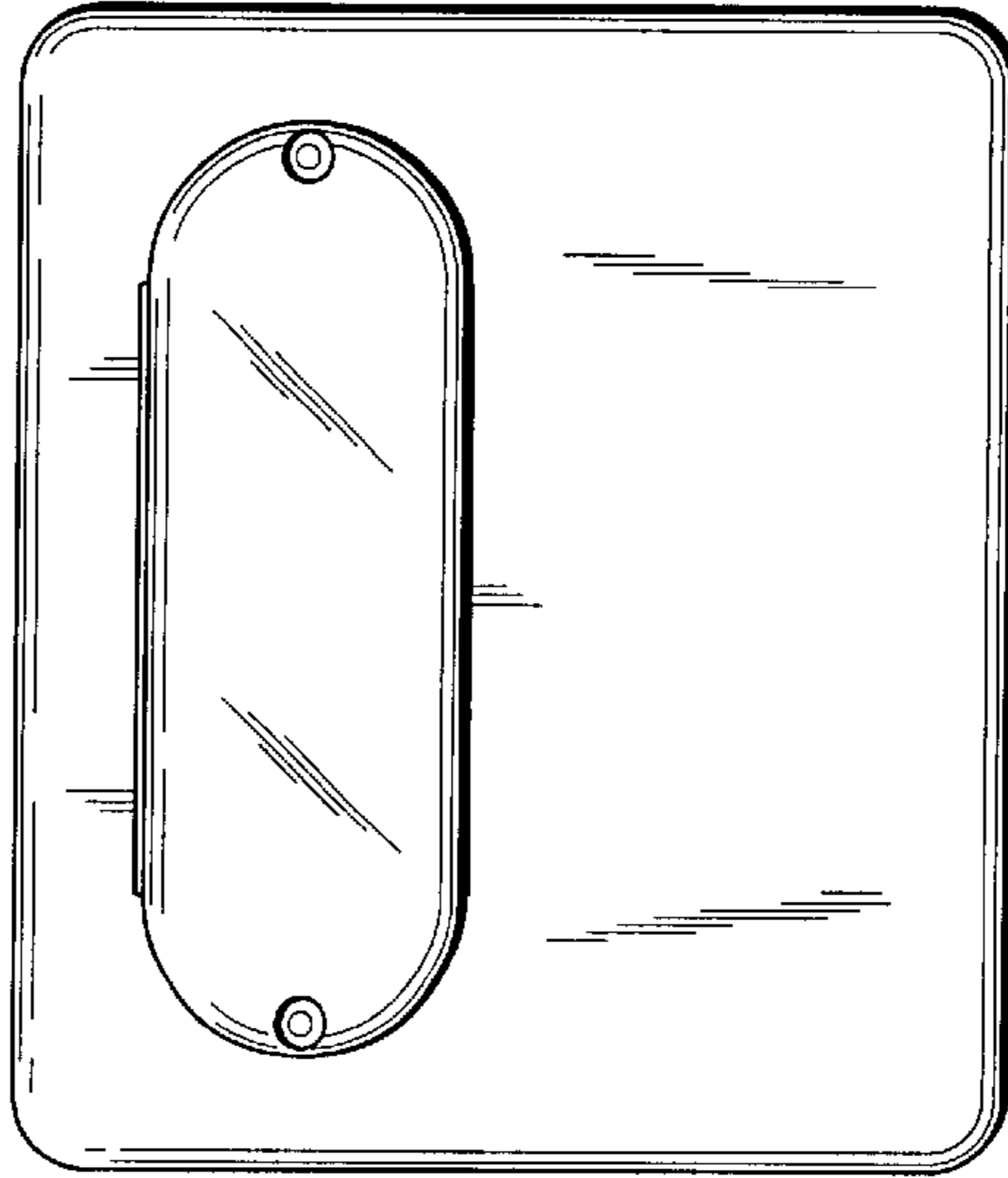


FIG. 3

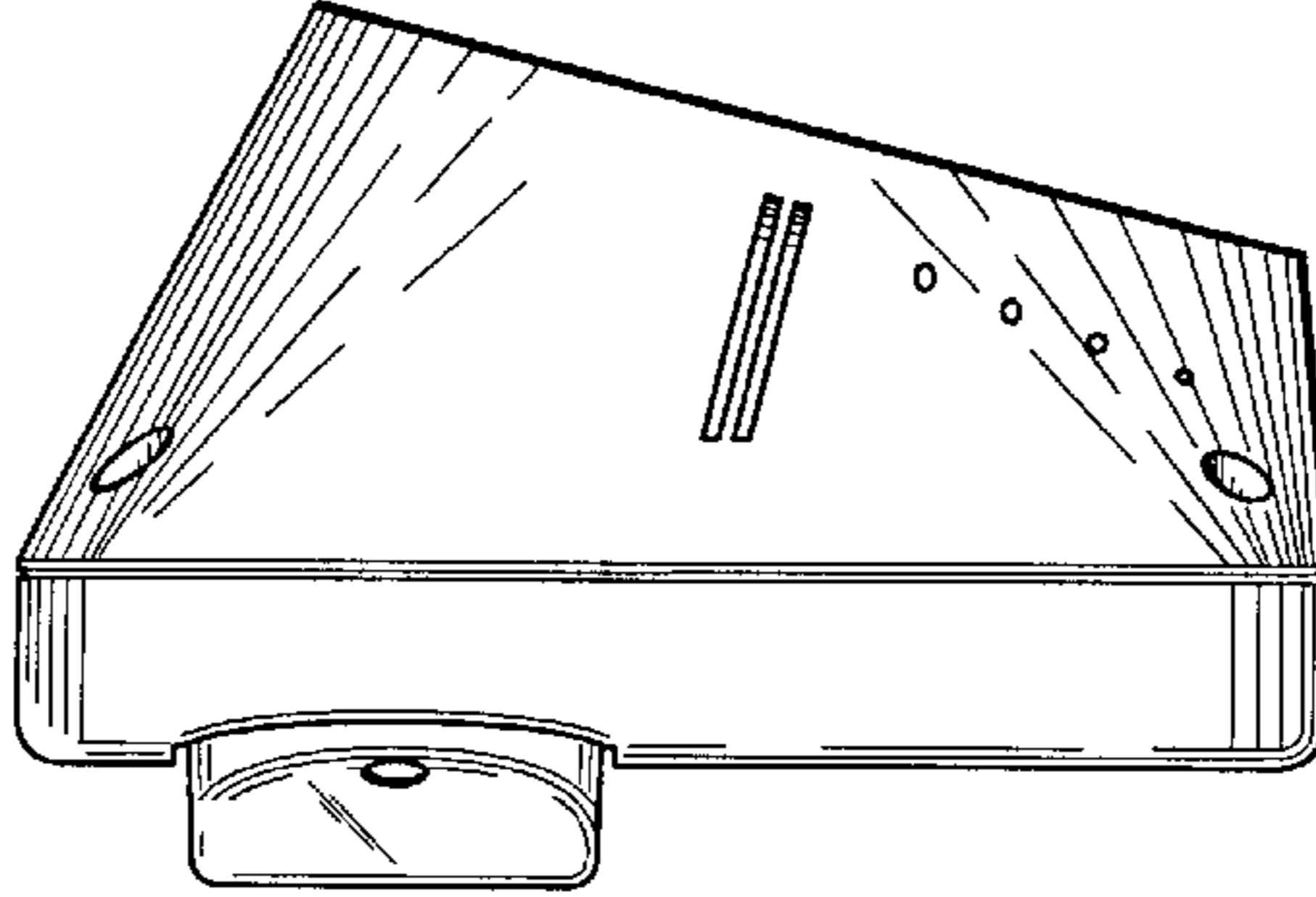


FIG. 1

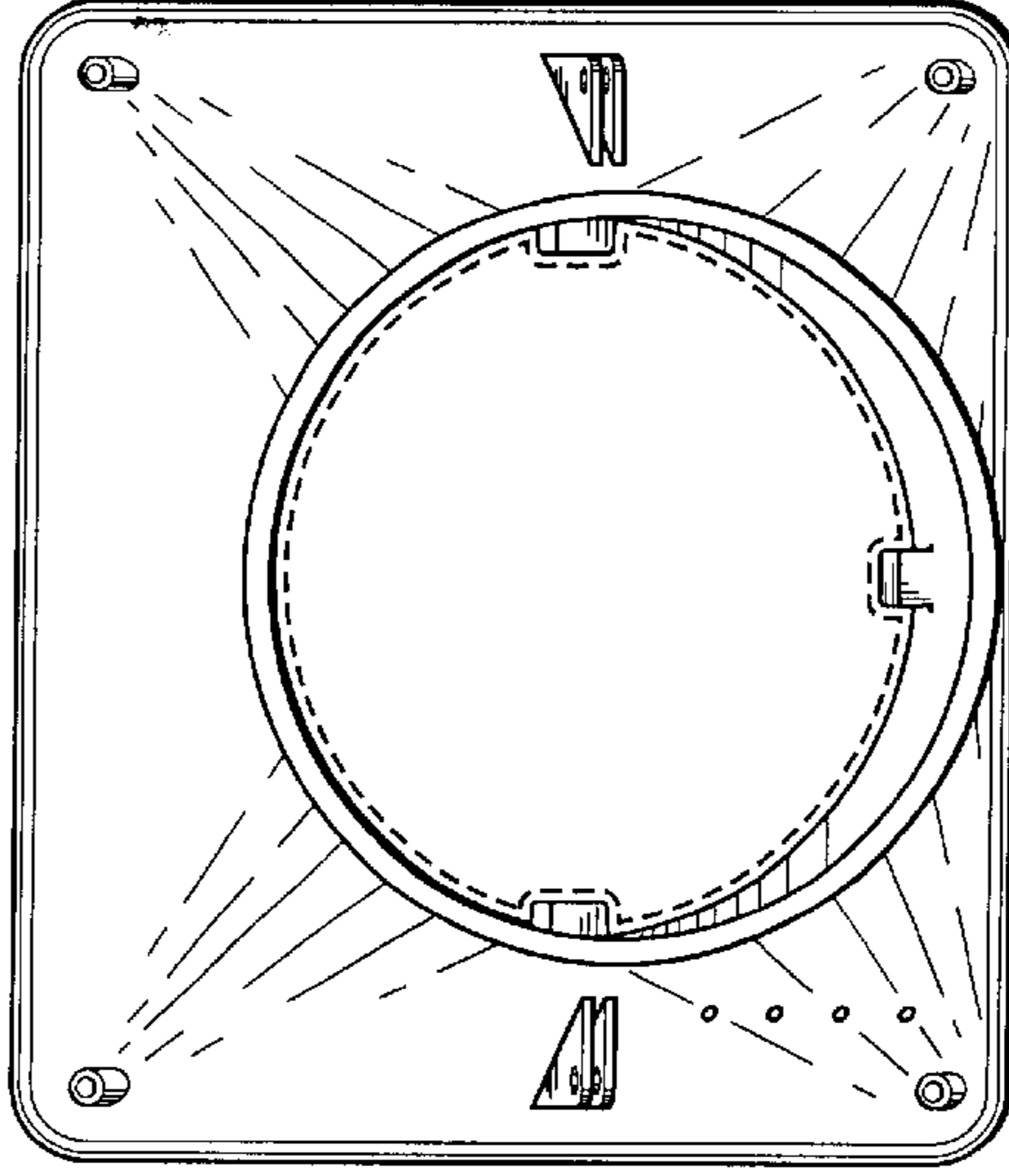


FIG. 2

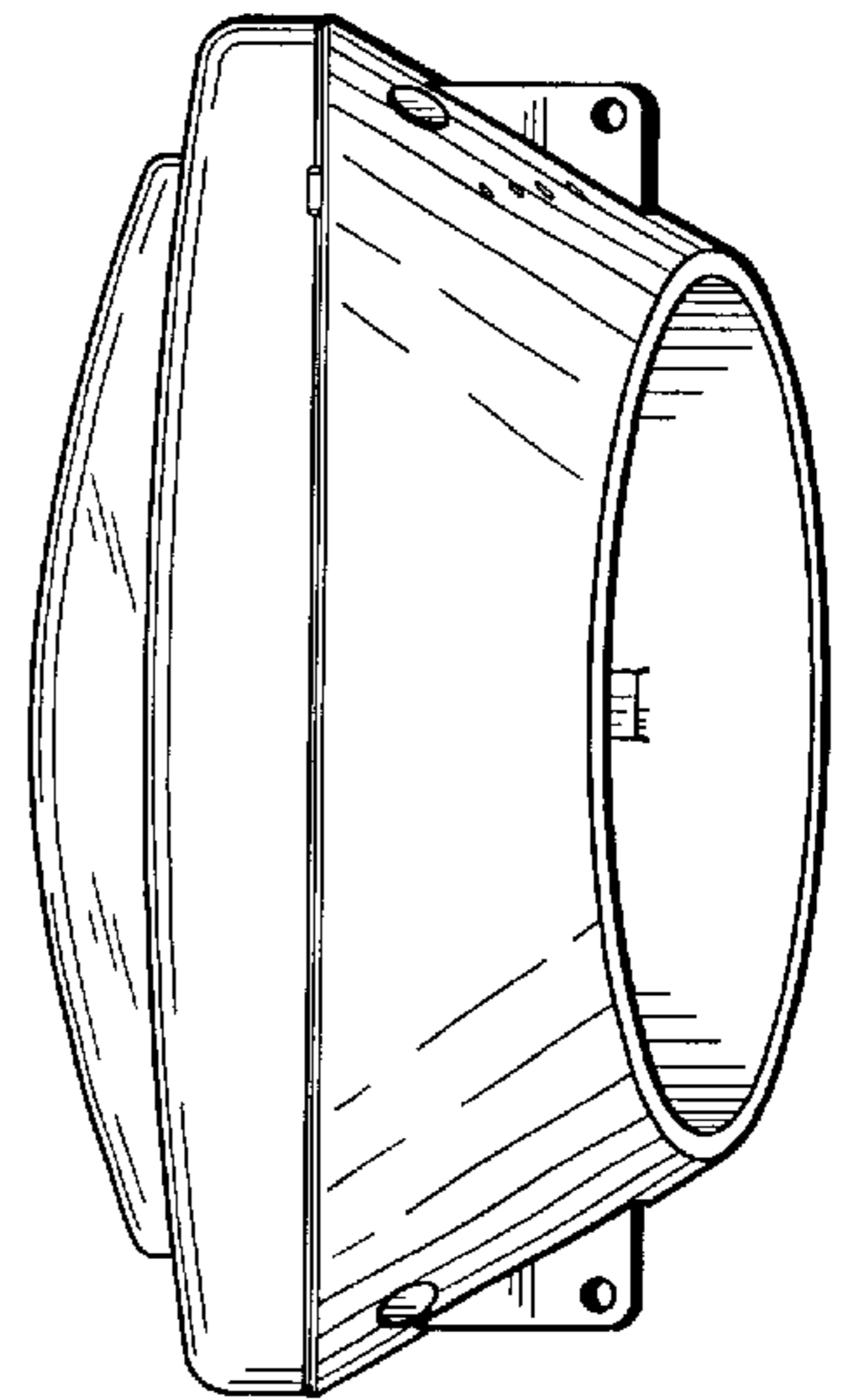


FIG. 5

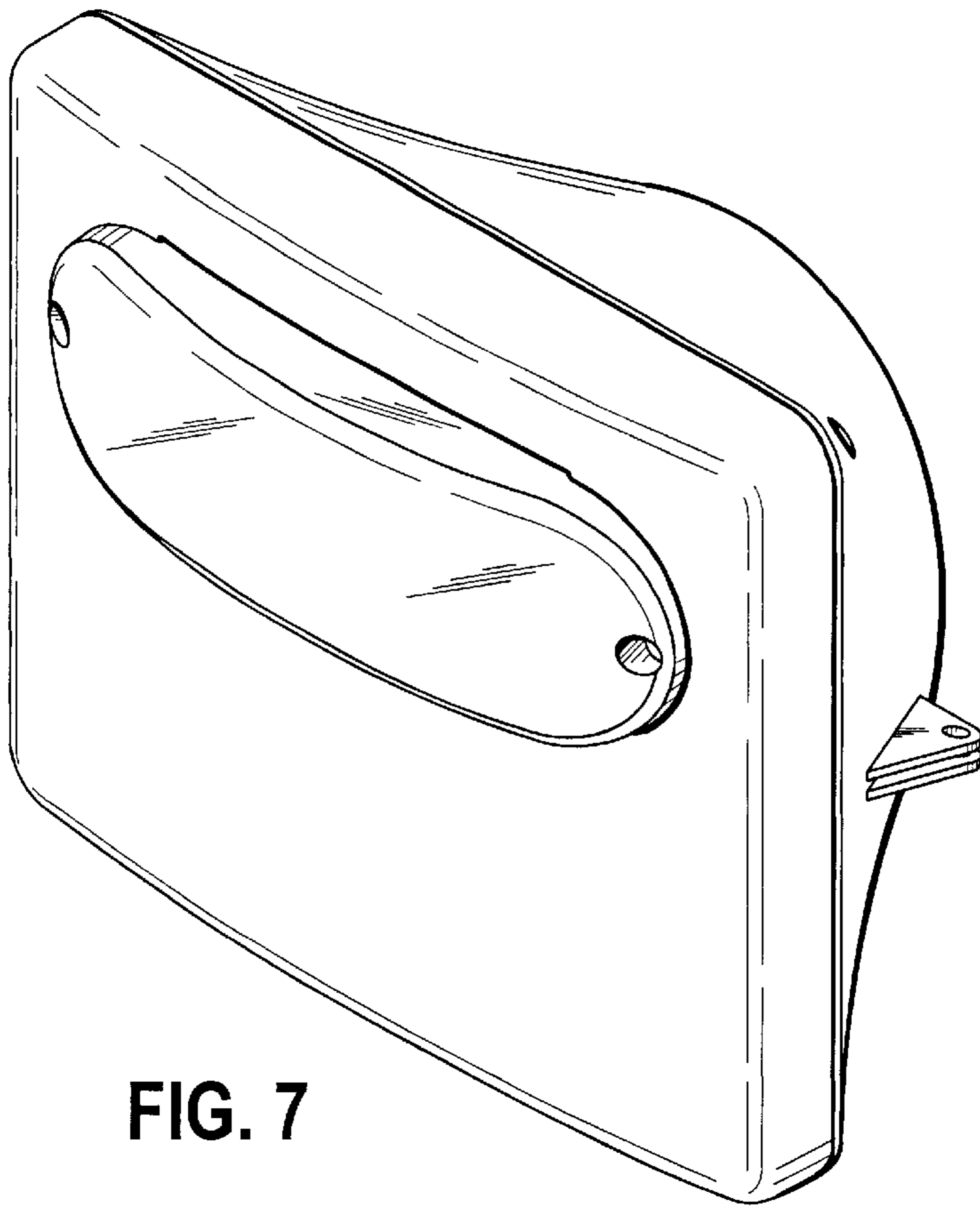


FIG. 7

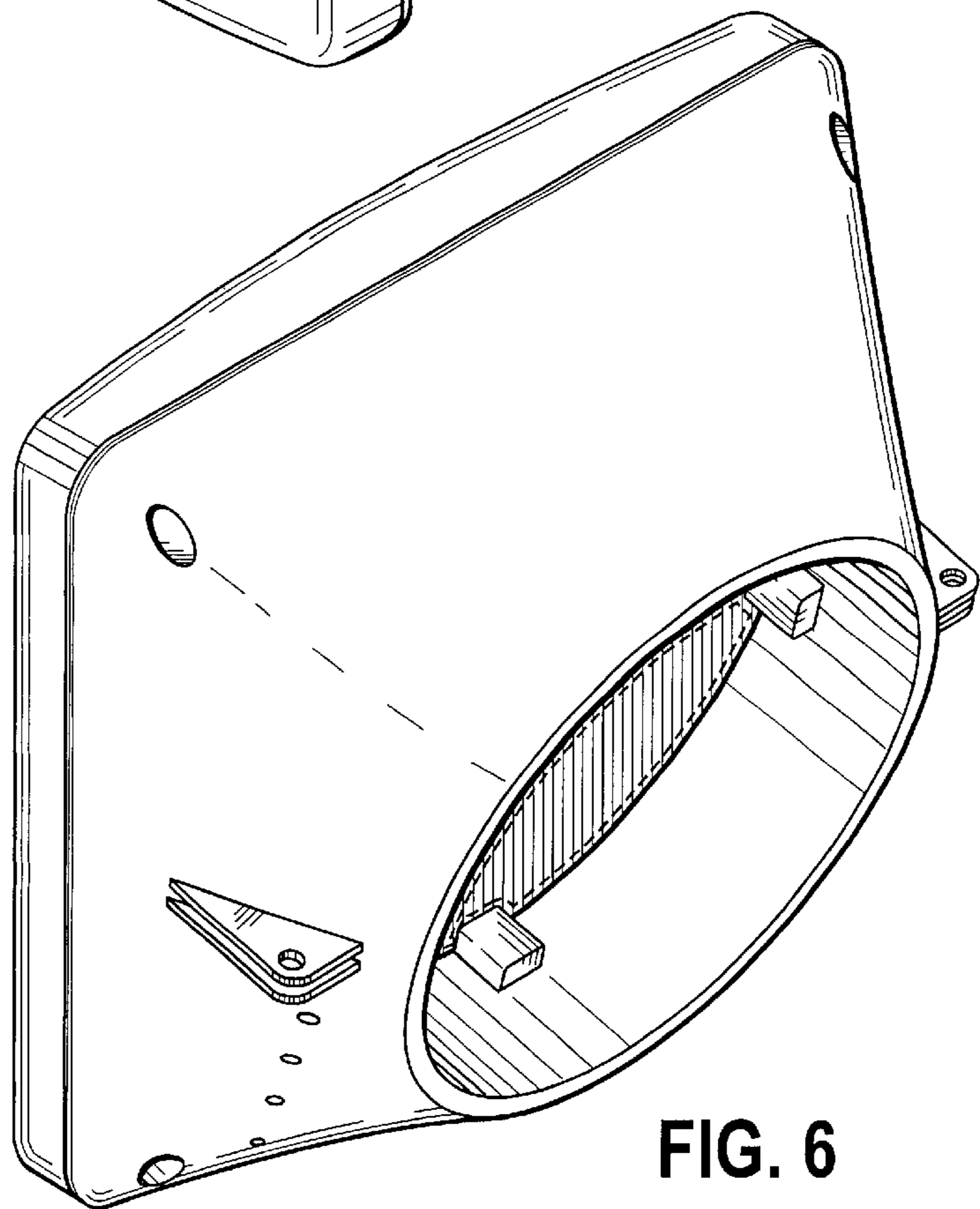


FIG. 6