



US00D451214B1

(12) **United States Design Patent**
Gollob et al.

(10) **Patent No.:** **US D451,214 S**

(45) **Date of Patent:** **** Nov. 27, 2001**

(54) **WALL PANEL**

(75) Inventors: **Neal C. Gollob**, Waterloo; **Stephen Keating**, Toronto, both of (CA)

(73) Assignee: **Roller Drome, LLC**, Las Vegas, NV (US)

(**) Term: **14 Years**

(21) Appl. No.: **29/092,633**

(22) Filed: **Aug. 24, 1998**

Related U.S. Application Data

(62) Division of application No. 29/058,806, filed on Aug. 23, 1996.

(30) **Foreign Application Priority Data**

Feb. 23, 1996 (CA) 1996-0408

(51) **LOC (7) Cl.** **25-01**

(52) **U.S. Cl.** **D25/156**

(58) **Field of Search** 52/782.1, 245, 52/582.1, 578, 783.1, 591.4, 590.1, 590.2; D6/332; 405/262; 256/24, 73; D25/138, 58, 152, 156

(56) **References Cited**

U.S. PATENT DOCUMENTS

D. 349,608	8/1994	Savoie	D25/138
D. 349,738	8/1994	Naegele, III et al.	D21/199
4,798,499	1/1989	Yamada	405/262
4,878,329	11/1989	Pawski	52/245
4,917,543	4/1990	Cole et al.	256/73

Primary Examiner—Doris Clark

(74) *Attorney, Agent, or Firm*—Bereskin & Parr

(57) **CLAIM**

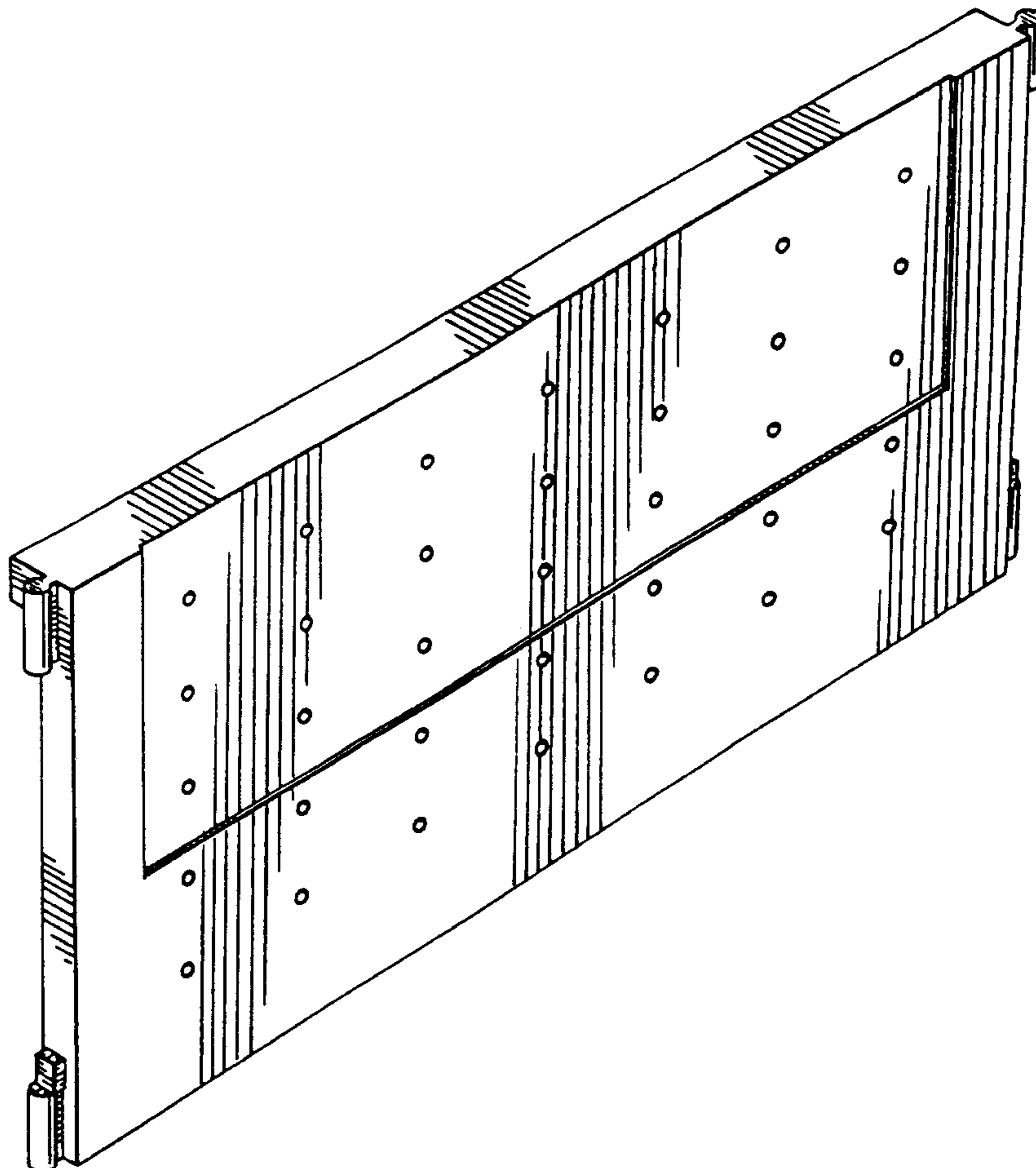
The ornamental design for a wall panel, as shown.

DESCRIPTION

FIG. 1 is a front perspective view of a wall panel; FIG. 2 is a rear view of the wall panel; FIG. 3 is a right side view of the wall panel; FIG. 4 is a bottom view of the wall panel; and, FIG. 5 is a top view of the wall panel.

The dotted lines showing of support braces and adjacent wall panels is provided for environmental purposes only and forms no part of the claimed design.

1 Claim, 3 Drawing Sheets



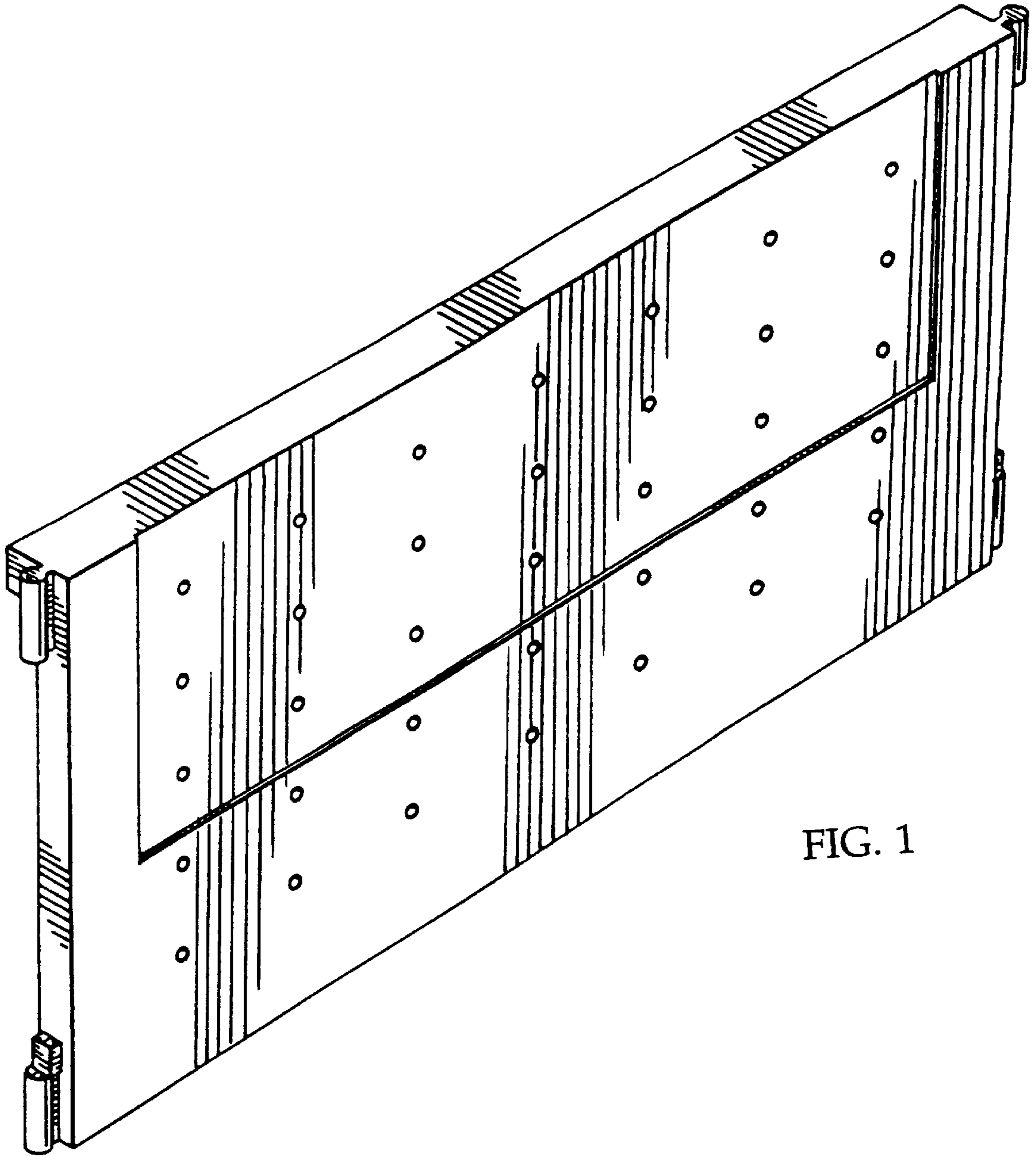


FIG. 1

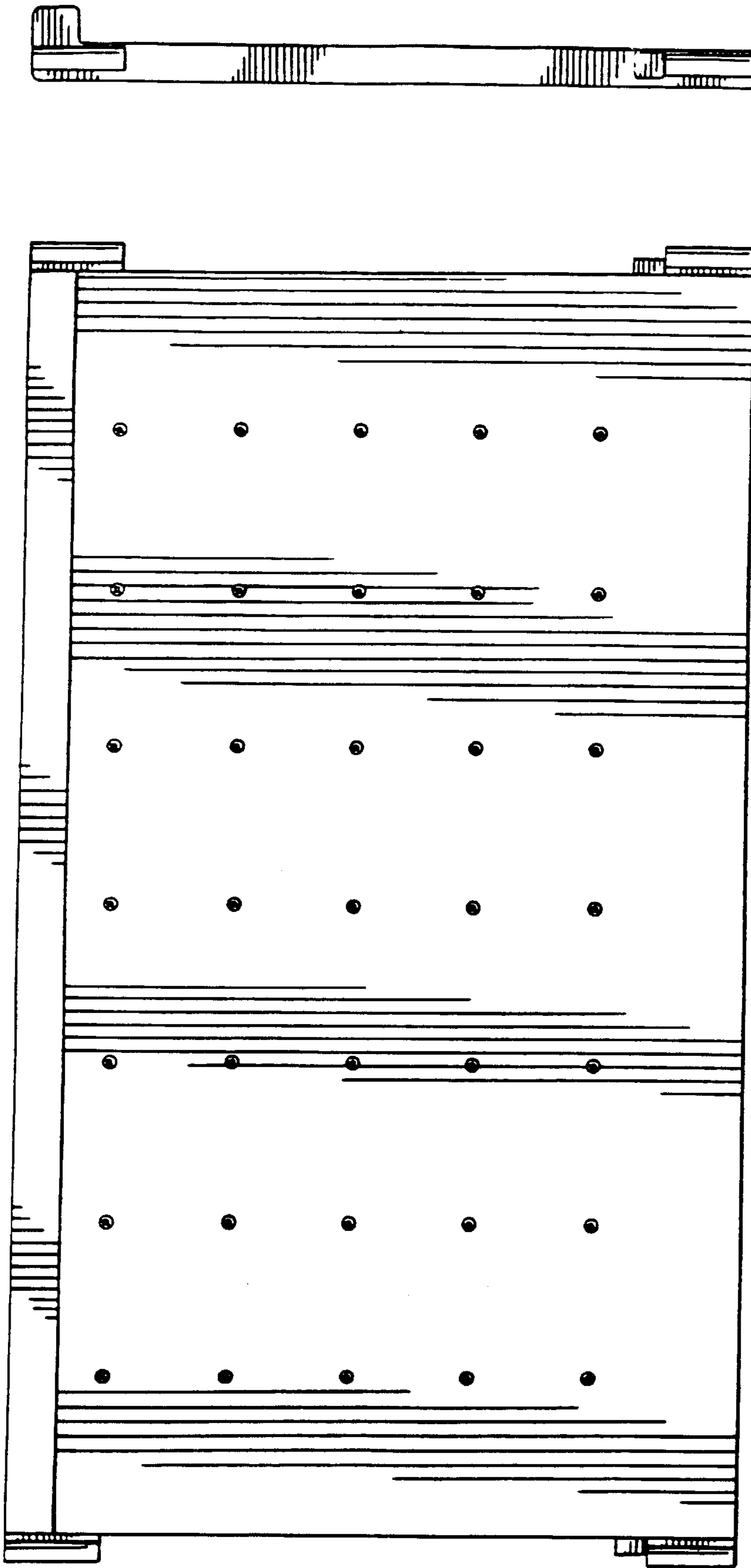


FIG. 2

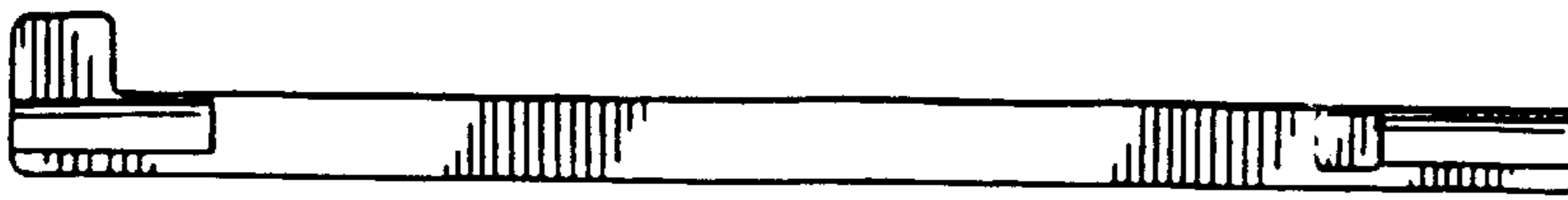


FIG. 3

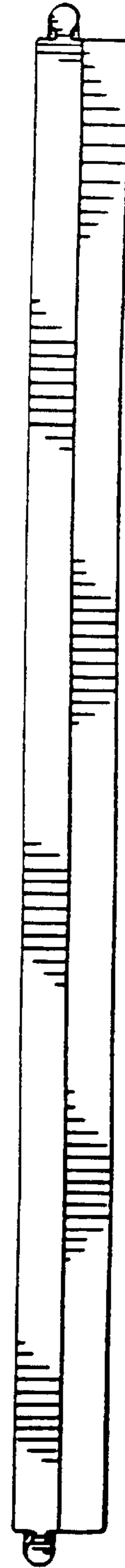


FIG. 4



FIG. 5