



US00D451213B2

(12) **United States Design Patent**  
**Gardner**

(10) **Patent No.:** **US D451,213 S**

(45) **Date of Patent:** **\*\* \*Nov. 27, 2001**

(54) **EXTRUDED PLASTIC WINDOW SHUTTER  
L-FRAME**

5,379,551 \* 1/1995 Swapp ..... 49/82.1  
5,894,706 \* 4/1999 Herbst ..... 160/371

(75) Inventor: **Larry S. Gardner**, Hoover, AL (US)

\* cited by examiner

(73) Assignee: **Alabama Venetian Blind Co.**,  
Birmingham, AL (US)

*Primary Examiner*—Doris Clark

(74) *Attorney, Agent, or Firm*—Robert J. Veal

(\* ) Notice: This patent is subject to a terminal disclaimer.

(57) **CLAIM**

The ornamental design for an extruded plastic window shutter L-frame, as shown and described.

(\*\*) Term: **14 Years**

**DESCRIPTION**

(21) Appl. No.: **29/134,486**

FIG. 1 is a perspective view of the extruded plastic window shutter L-frame showing my new design;

(22) Filed: **Dec. 22, 2000**

FIG. 2 is an end view of the extruded plastic window shutter L-frame molding;

(51) **LOC (7) Cl.** ..... **25-01**

FIG. 3 is a top view of the extruded plastic window shutter L-frame molding;

(52) **U.S. Cl.** ..... **D25/136**

(58) **Field of Search** ..... 160/104, 371,  
160/377, 236; 49/82.1, 74.1; 52/656.7,  
473, 202; D25/47, 49, 136, 60, 119

FIG. 4 is a frontal view of the extruded plastic window shutter L-frame molding;

FIG. 5 is a bottom view of the extruded plastic window shutter L-frame molding; and,

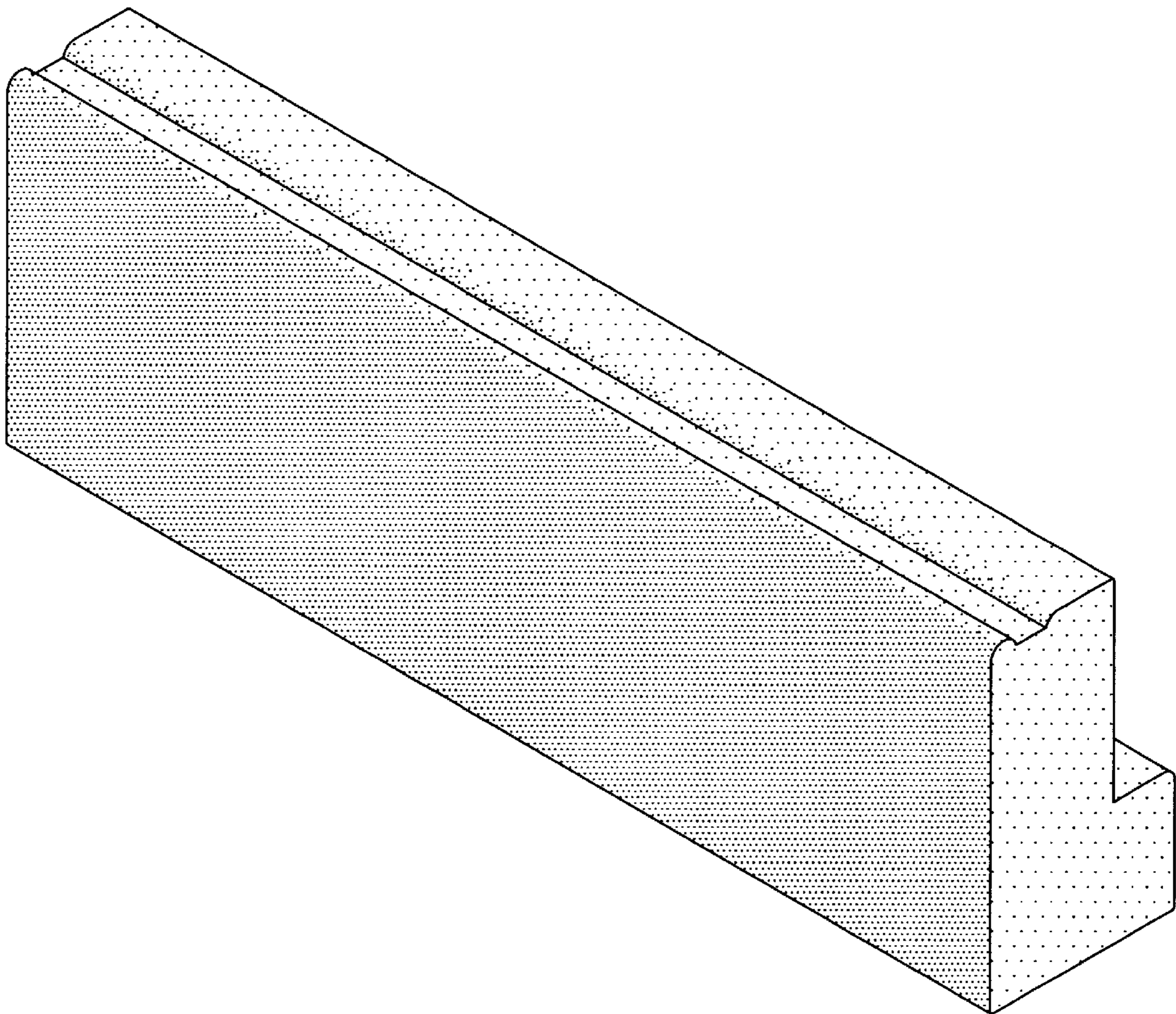
FIG. 6 is a rear view of the extruded plastic window shutter L-frame molding.

(56) **References Cited**

**U.S. PATENT DOCUMENTS**

D. 366,123 \* 1/1996 Seopes ..... D25/136  
3,324,785 \* 6/1967 Underdahl ..... 49/74.1

**1 Claim, 6 Drawing Sheets**



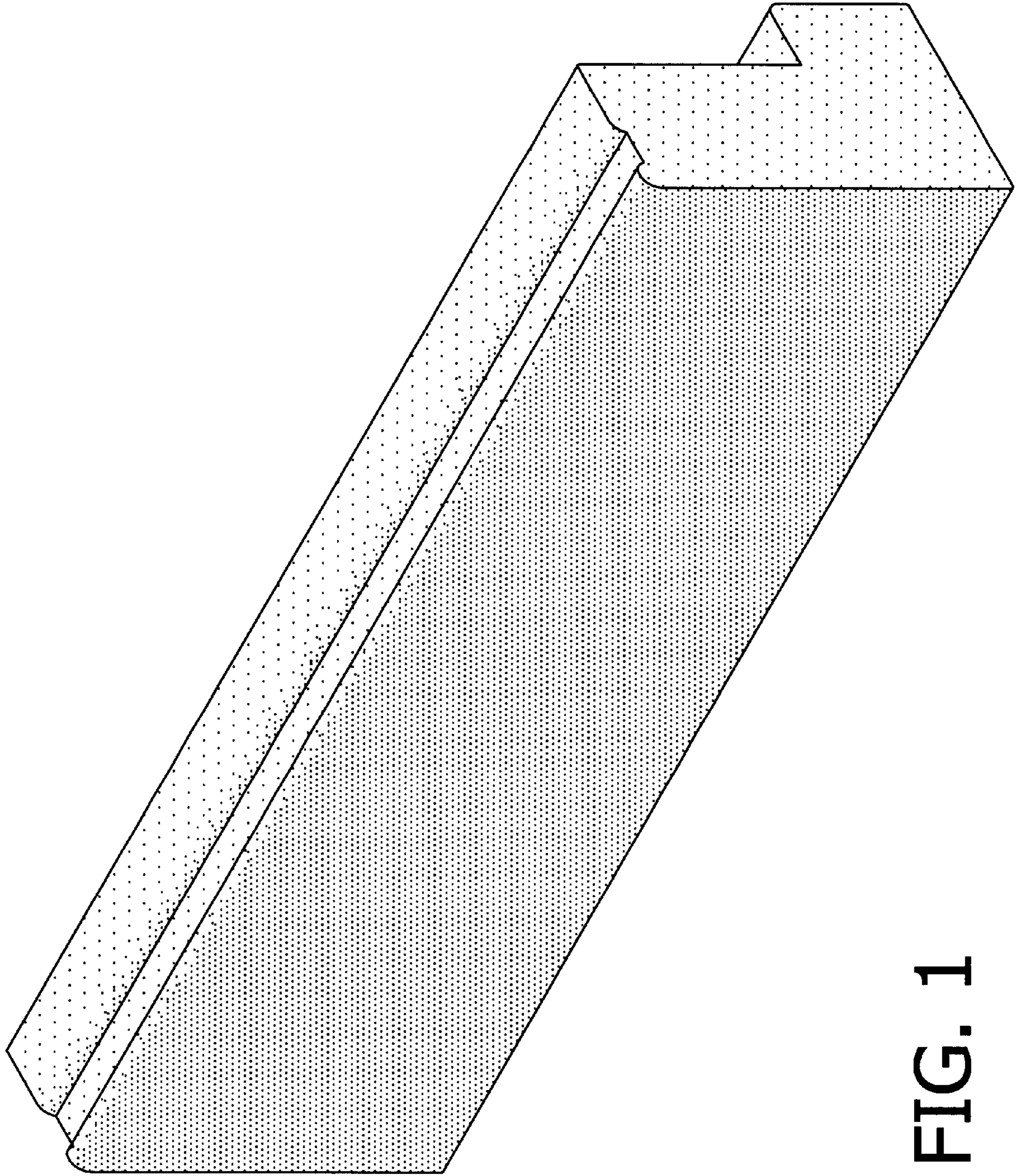


FIG. 1

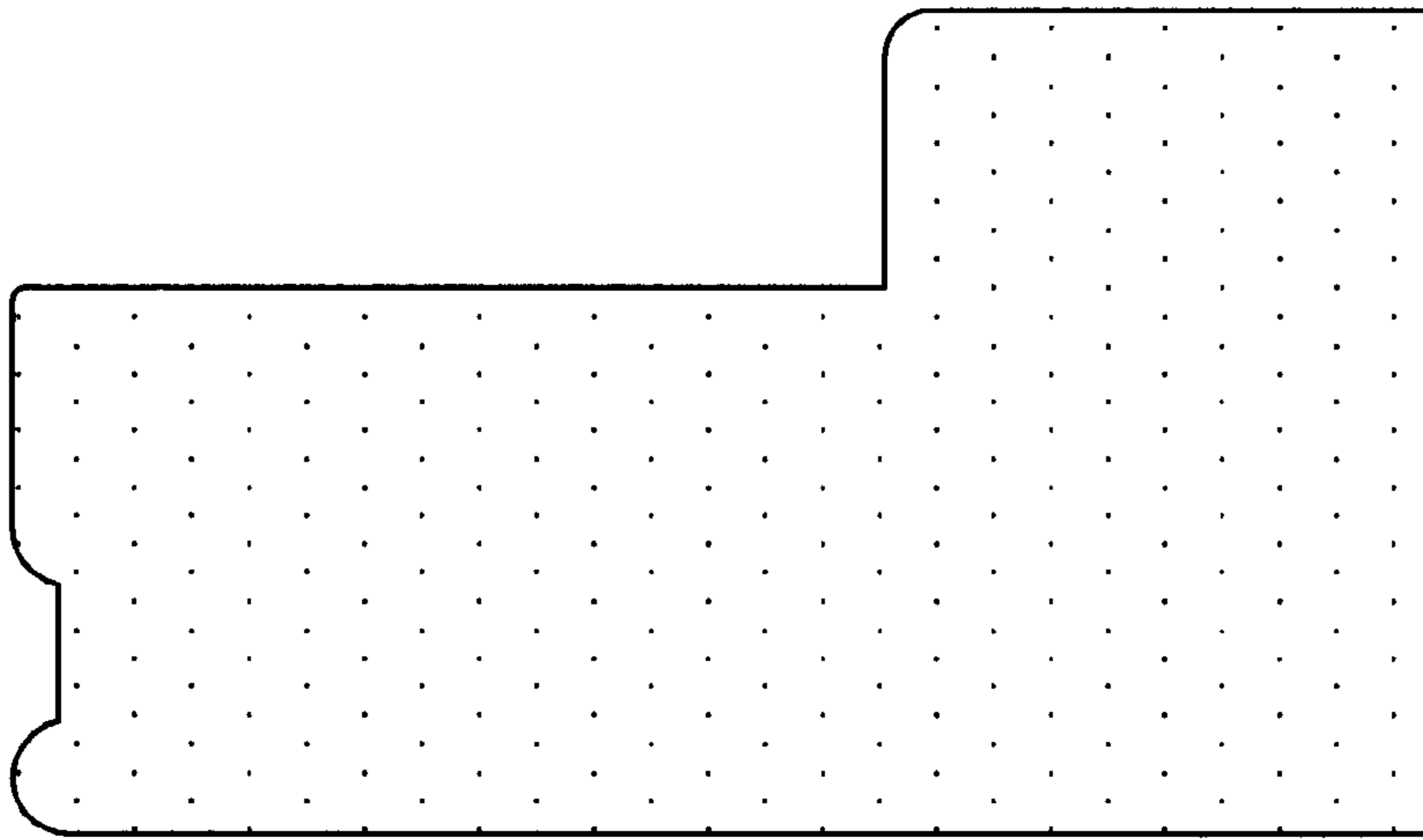


FIG.2

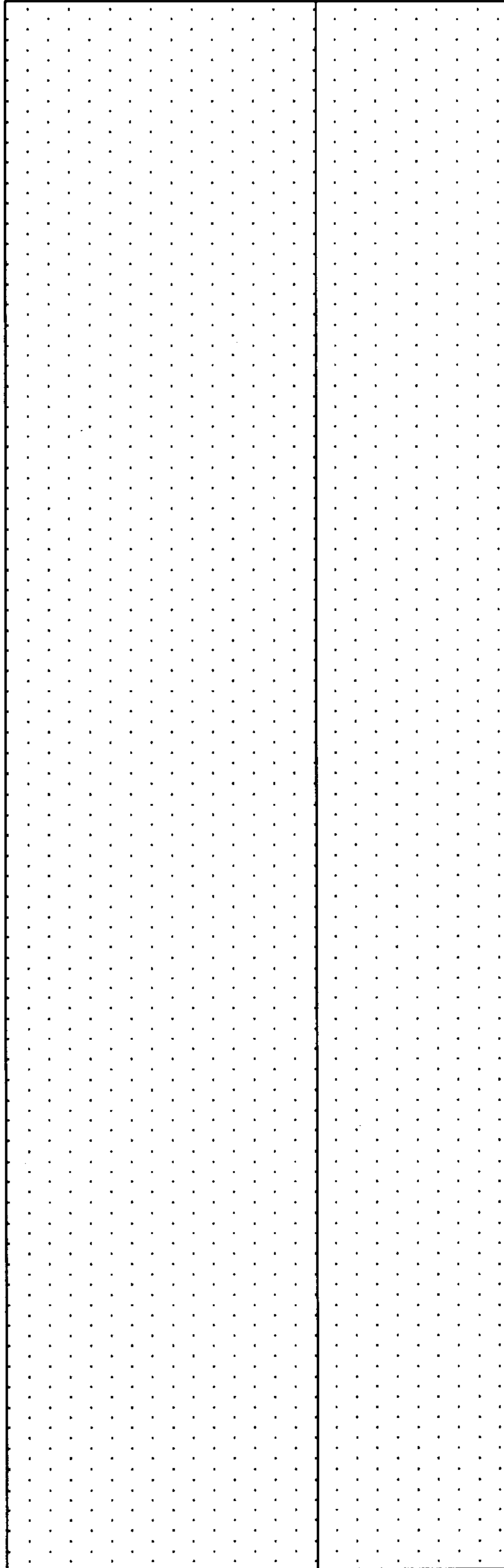


FIG.3

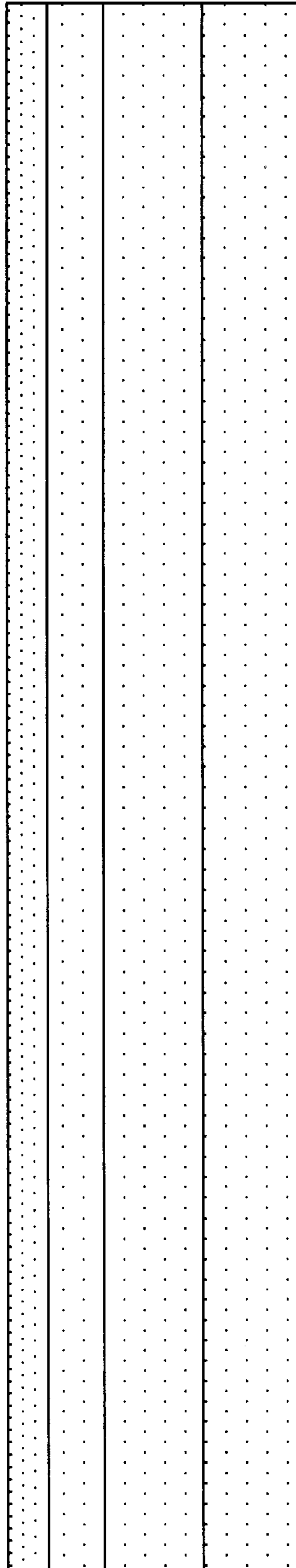


FIG.4



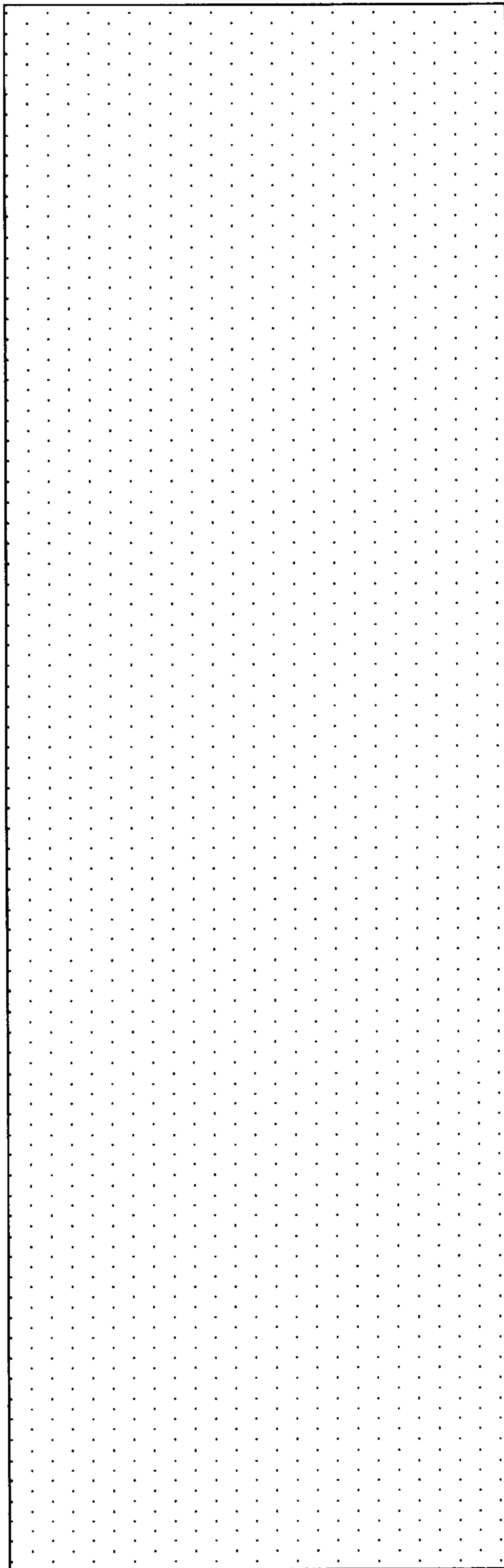


FIG.5

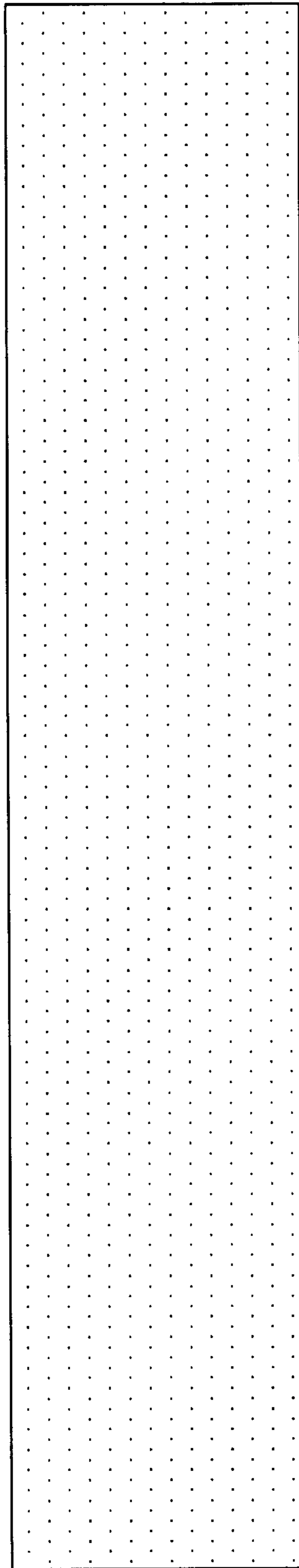


FIG.6