



US00D451204B1

(12) **United States Design Patent**  
**Schlichting et al.**

(10) **Patent No.:** **US D451,204 S**

(45) **Date of Patent:** **\*\* Nov. 27, 2001**

(54) **ANTI-NESTING DEVICE FOR A POST  
FRAME BUILDING**

5,519,970	5/1996	Reum et al. .
5,606,830	3/1997	Townsend, Jr. et al. .
5,765,319	6/1998	Callaghan, Jr. .
5,850,808	12/1998	Burdick .
9,913,780	6/1999	Goergen .

(76) Inventors: **Michael J. Schlichting**, 307 Bank St.;  
**Kurt J. Schlichting**, 617 Maple St.,  
both of Lena, IL (US) 61048

*Primary Examiner*—Doris Clark  
(74) *Attorney, Agent, or Firm*—Keith Frantz

(\*\*) Term: **14 Years**

(57) **CLAIM**

(21) Appl. No.: **29/125,838**

The ornamental design for an anti-nesting device for a post frame building, as shown and described.

(22) Filed: **Jun. 30, 2000**

(51) **LOC (7) Cl.** ..... **25-02**

**DESCRIPTION**

(52) **U.S. Cl.** ..... **D25/38**

FIG. 1 is a perspective view showing our new design.  
FIG. 2 is an end view thereof, the opposite end view being a mirror image view thereof.

(58) **Field of Search** ..... 52/101, 57; D25/38;  
256/4, 3, 11

FIG. 3 is a right side view thereof.

(56) **References Cited**

FIG. 4 is a left side view thereof.

**U.S. PATENT DOCUMENTS**

FIG. 5 is a top plan view thereof.

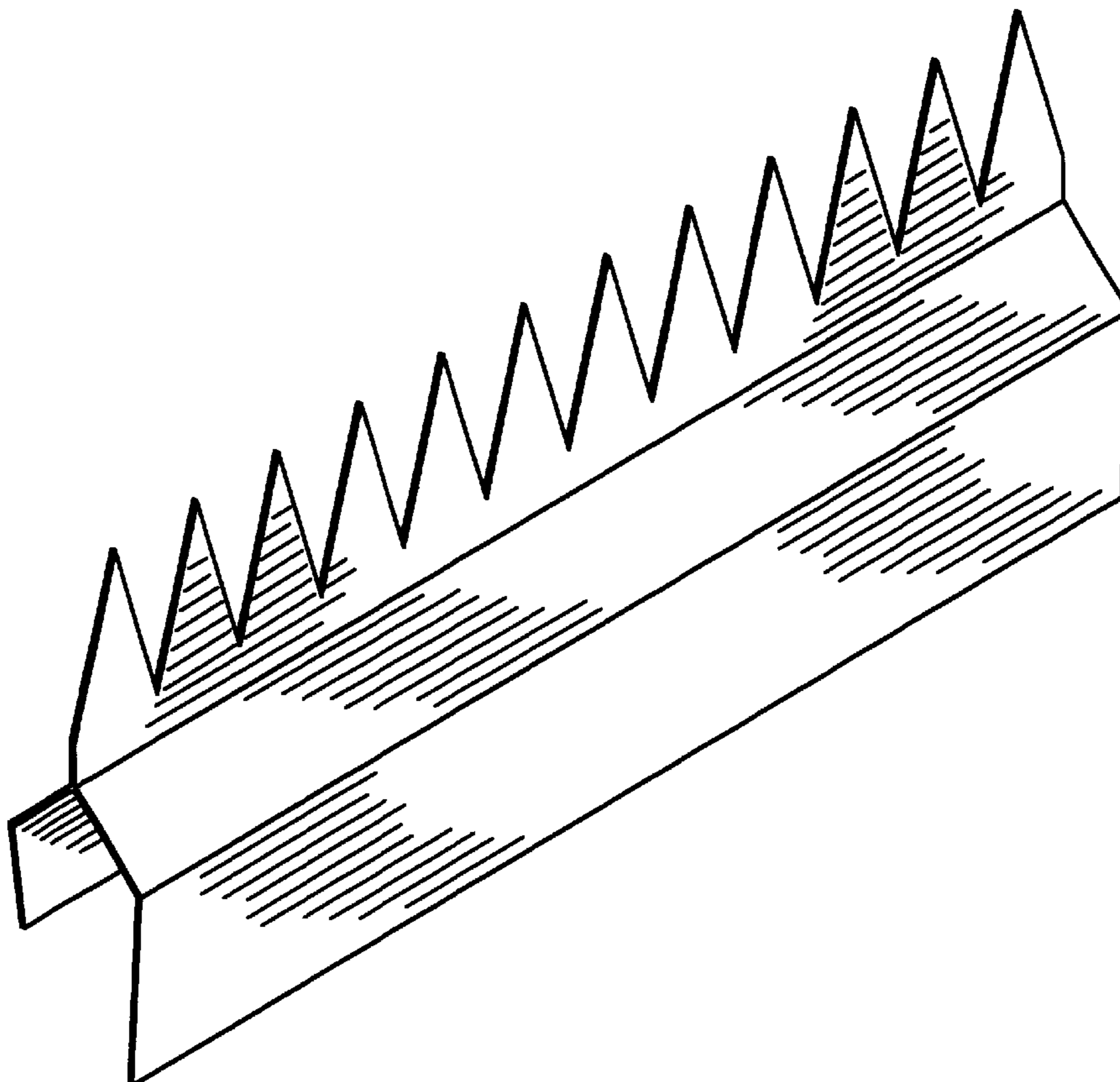
D. 26,410	12/1896	Benjamin .
2,258,803	10/1941	Pales .
4,275,532	6/1981	Watson .
4,359,844	11/1982	Hoggard et al. .
4,832,316	5/1989	Minchar .
4,937,988	7/1990	Gratton .
5,092,088	3/1992	Way .
5,209,032	5/1993	Laumeister .
5,253,444	10/1993	Donoho et al. .
5,303,523	4/1994	Hand et al. .
5,497,585	3/1996	Engler .

FIG. 6 is a bottom plan view thereof.

FIG. 7 is an end view of a second embodiment of an anti-nesting device for a post frame building as installed on to a framing strip shown in dashed lines, the strip being shown only to illustrate an environment in which our new design may be used, and forming no part of the invention hereof; and,

FIG. 8 is a perspective view thereof as installed on to said strip shown in dashed lines.

**1 Claim, 4 Drawing Sheets**



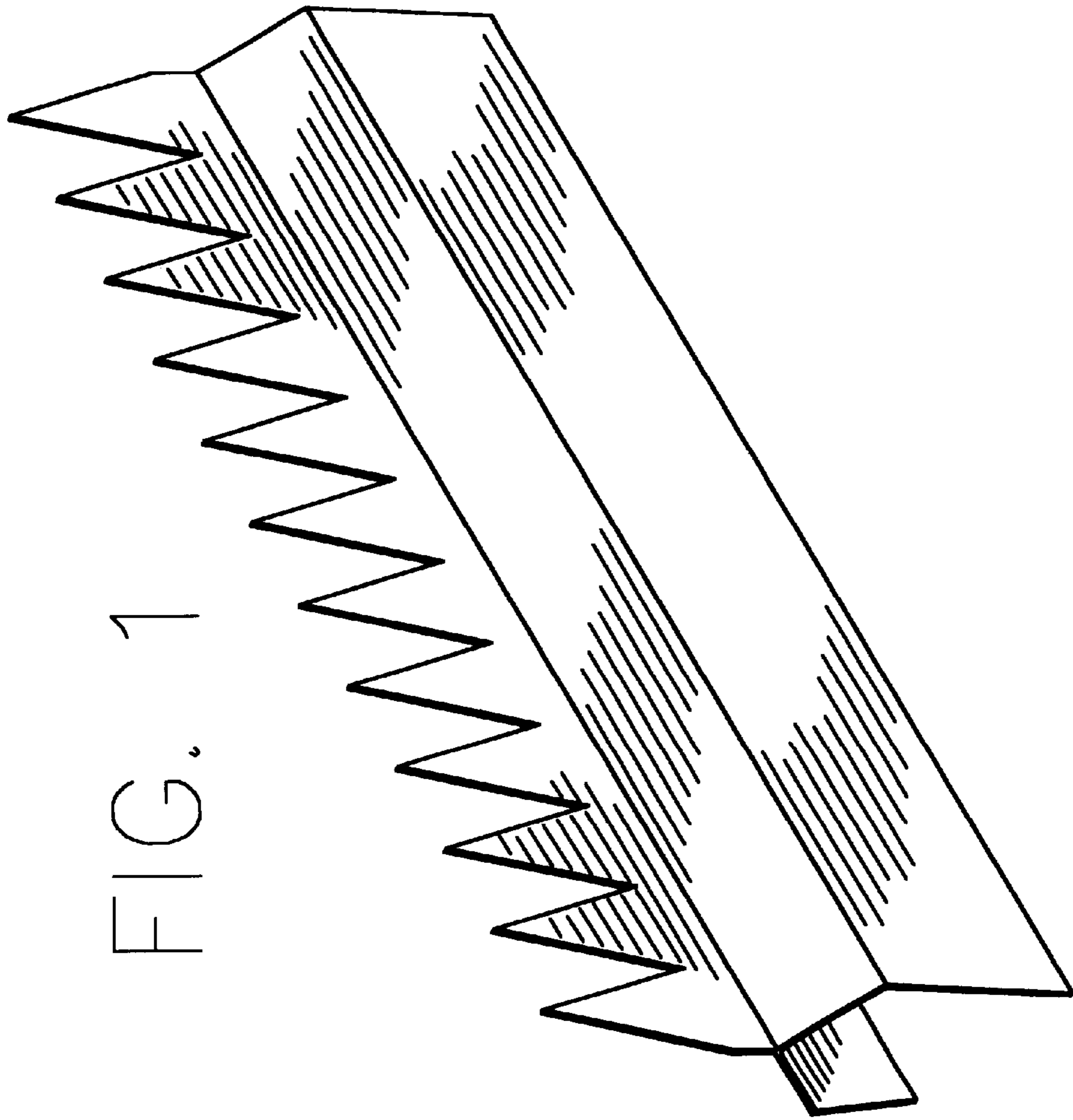


FIG. 1

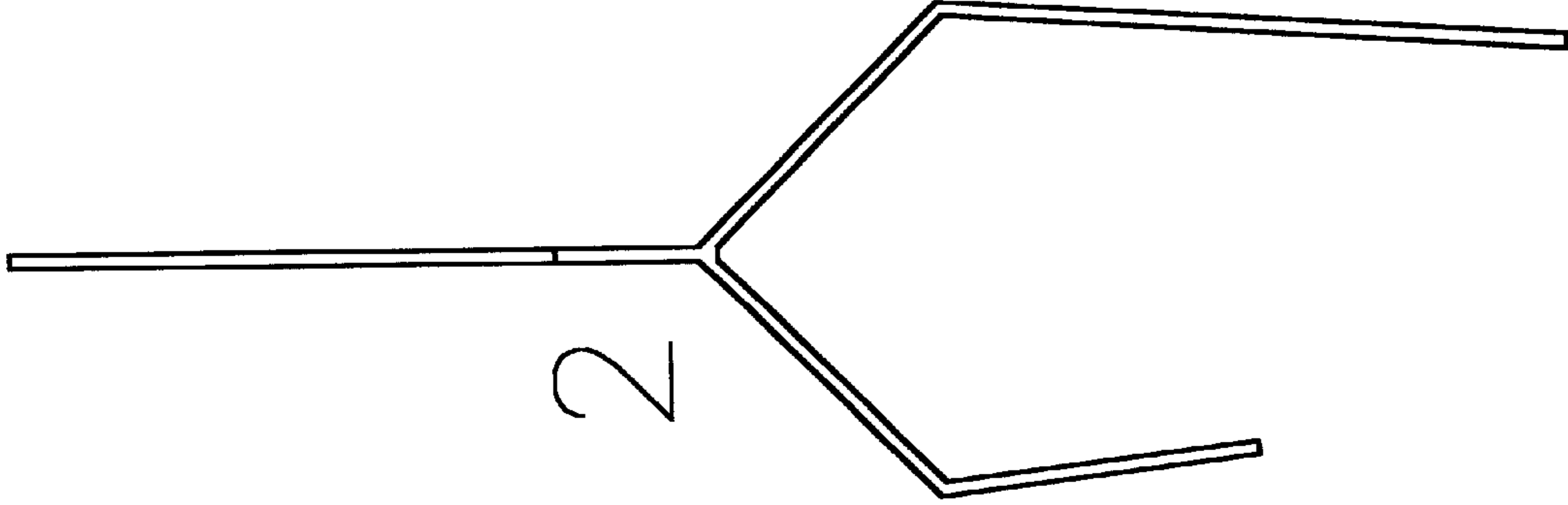


FIG. 2

FIG. 3

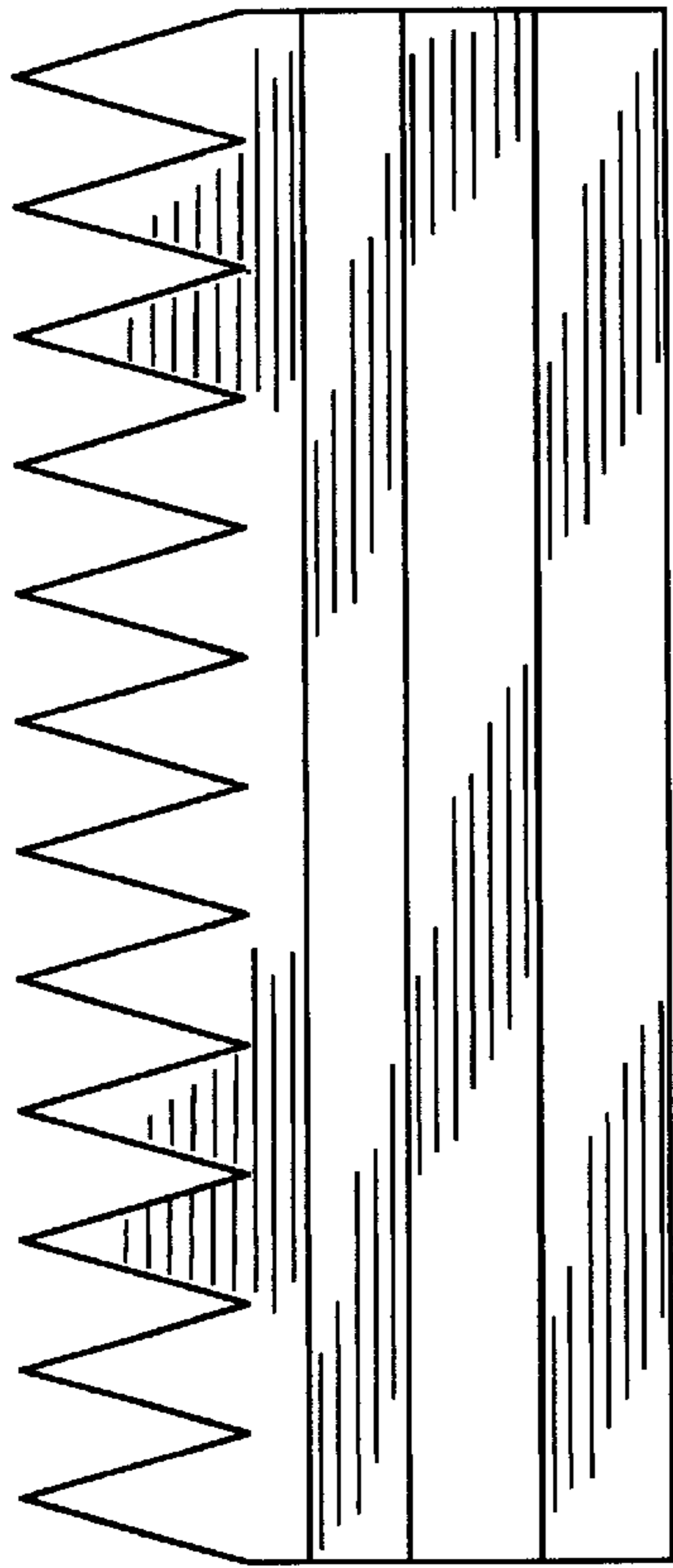


FIG. 4

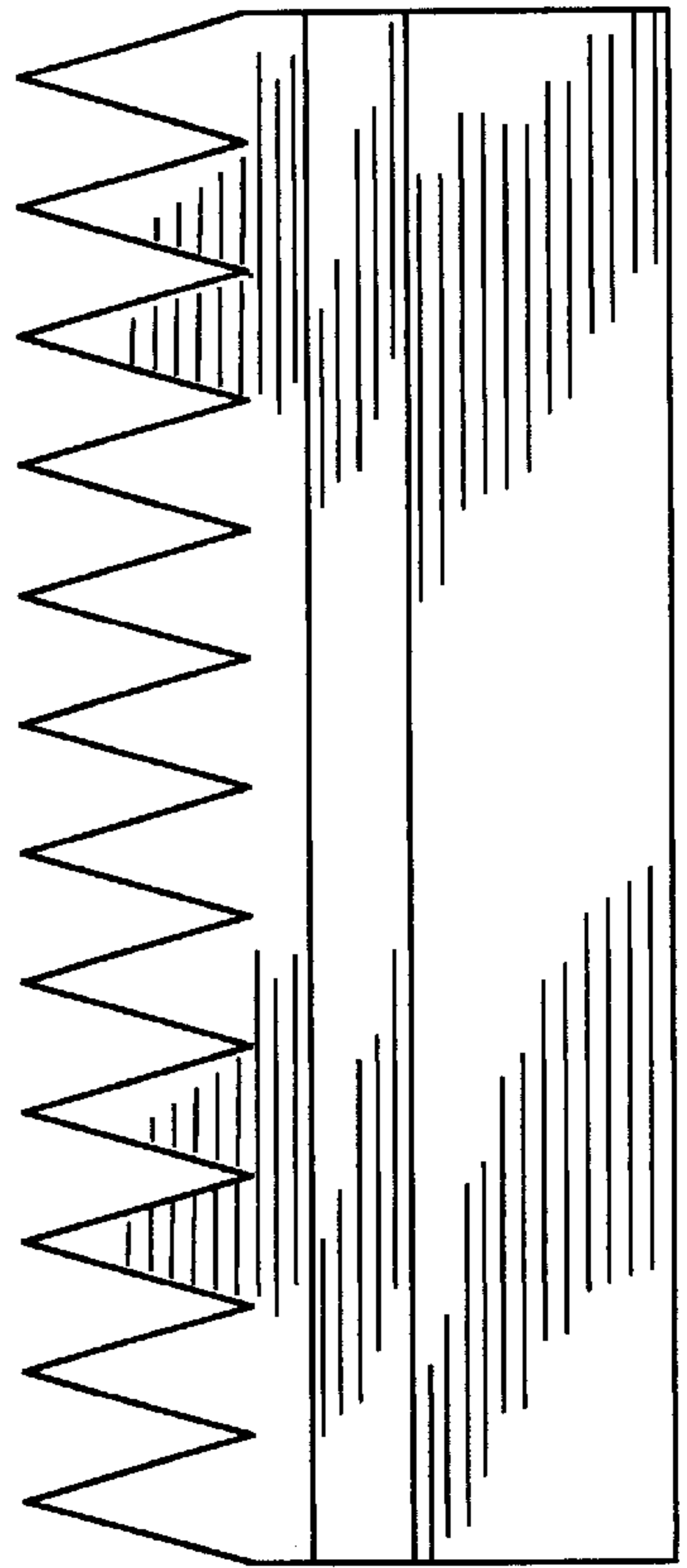


FIG. 5

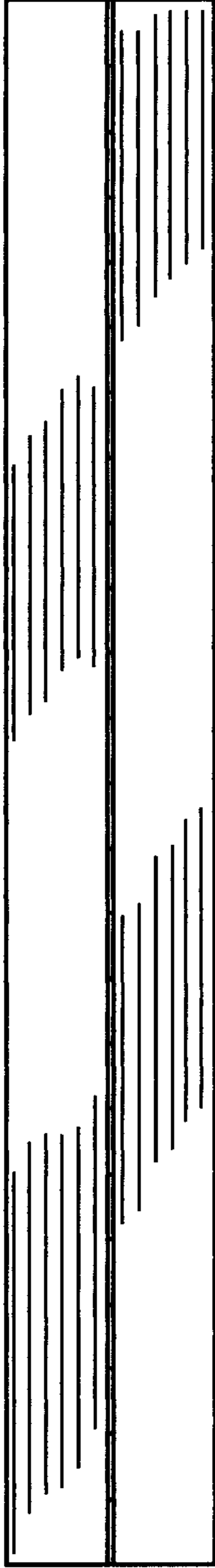


FIG. 6



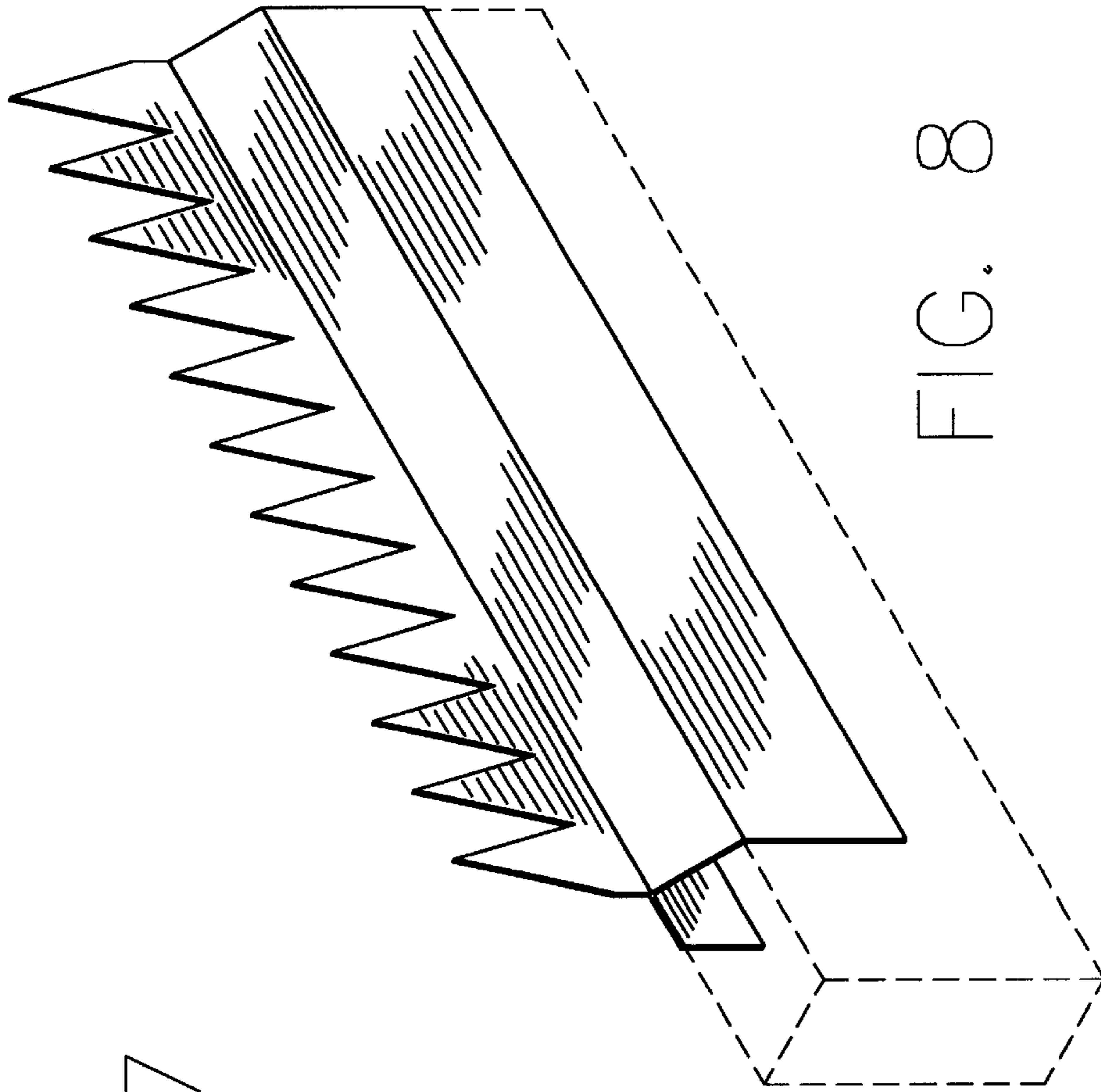


FIG. 7

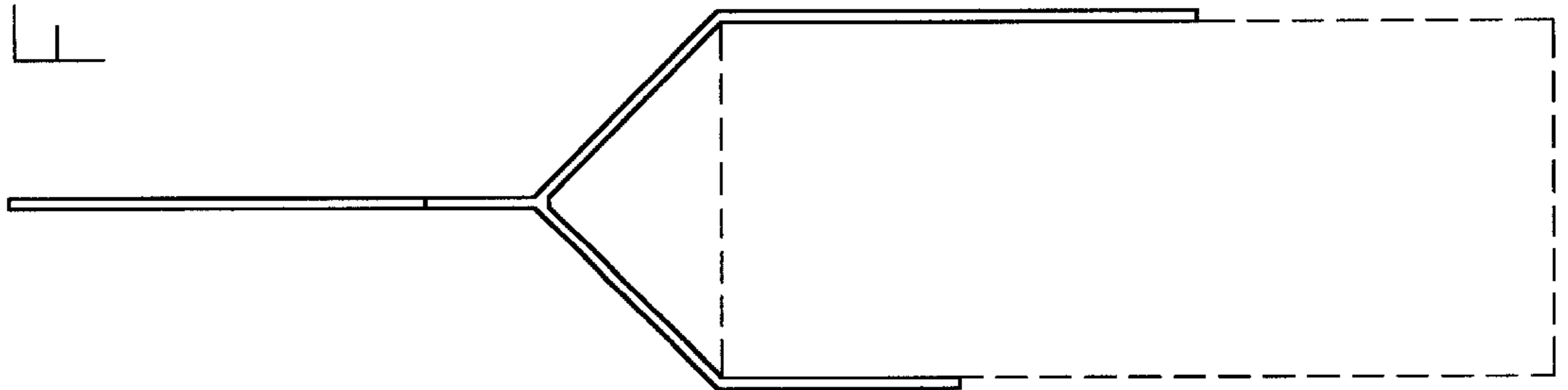


FIG. 8