



US00D451201B1

(12) **United States Design Patent**  
**Maypa**

(10) **Patent No.:** **US D451,201 S**

(45) **Date of Patent:** **\*\* Nov. 27, 2001**

(54) **BABY BOTTLE HOLDER**

5,823,486 10/1998 Smith et al. .

6,056,246 \* 5/2000 Argy, II ..... 248/103

(76) Inventor: **Nicanor D Maypa**, 4600 Sirius Ave. #  
R 281, Las Vegas, NV (US)  
89102-9109

\* cited by examiner

*Primary Examiner*—Stella Reid

(\*\*) Term: **14 Years**

(57) **CLAIM**

(21) Appl. No.: **29/133,857**

The ornamental design for a baby bottle holder, as shown and described.

(22) Filed: **Dec. 8, 2000**

**DESCRIPTION**

(51) **LOC (7) Cl.** ..... **07-01**

(52) **U.S. Cl.** ..... **D24/199**

(58) **Field of Search** ..... D24/199; 248/102,  
248/103, 104, 105, 106, 107

FIG. 1 is a front elevational view of the baby bottle holder of the present invention;

FIG. 2 is a rear elevational view of the baby bottle holder of FIG. 1;

FIG. 3 is a left side elevational view of the baby bottle holder of FIG. 1;

FIG. 4 is a right side elevational view of the baby bottle holder of FIG. 1;

FIG. 5 is a top plan view of the baby bottle holder of FIG. 1; and,

FIG. 6 is a bottom plan view of the baby bottle holder of FIG. 1.

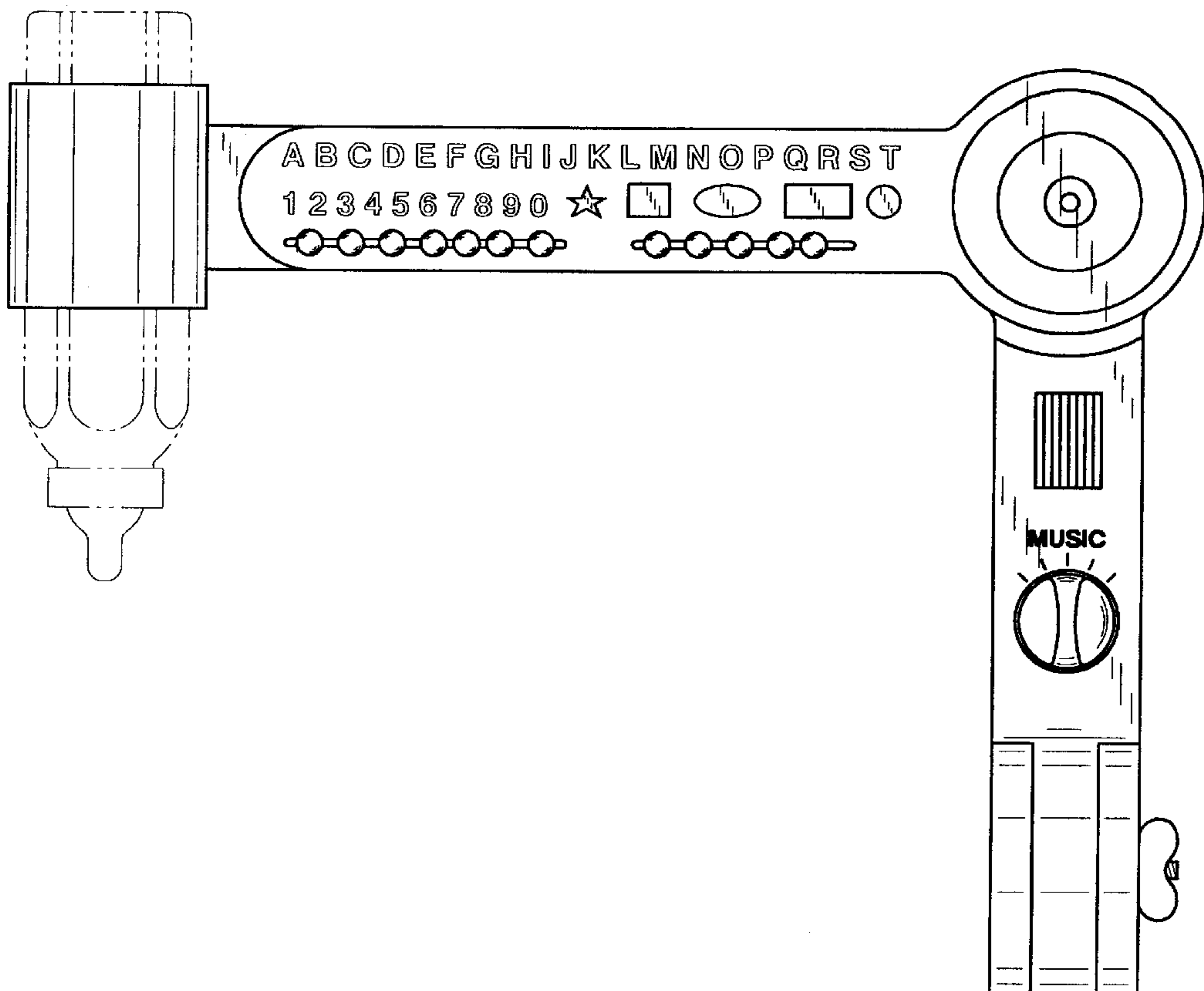
The broken lines showing of a bottle in FIG. 1 are for illustrative purposes only and form no part of the claimed design.

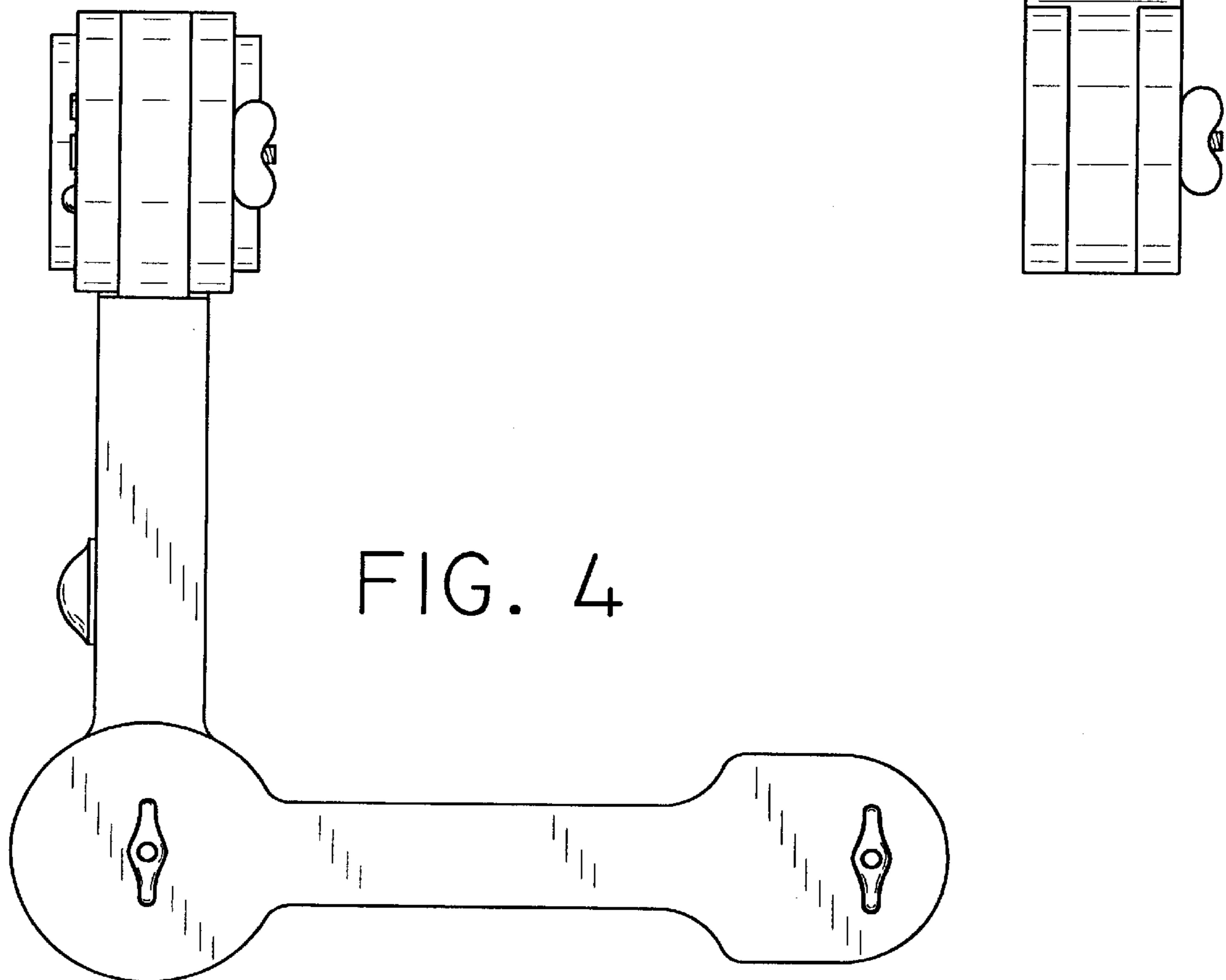
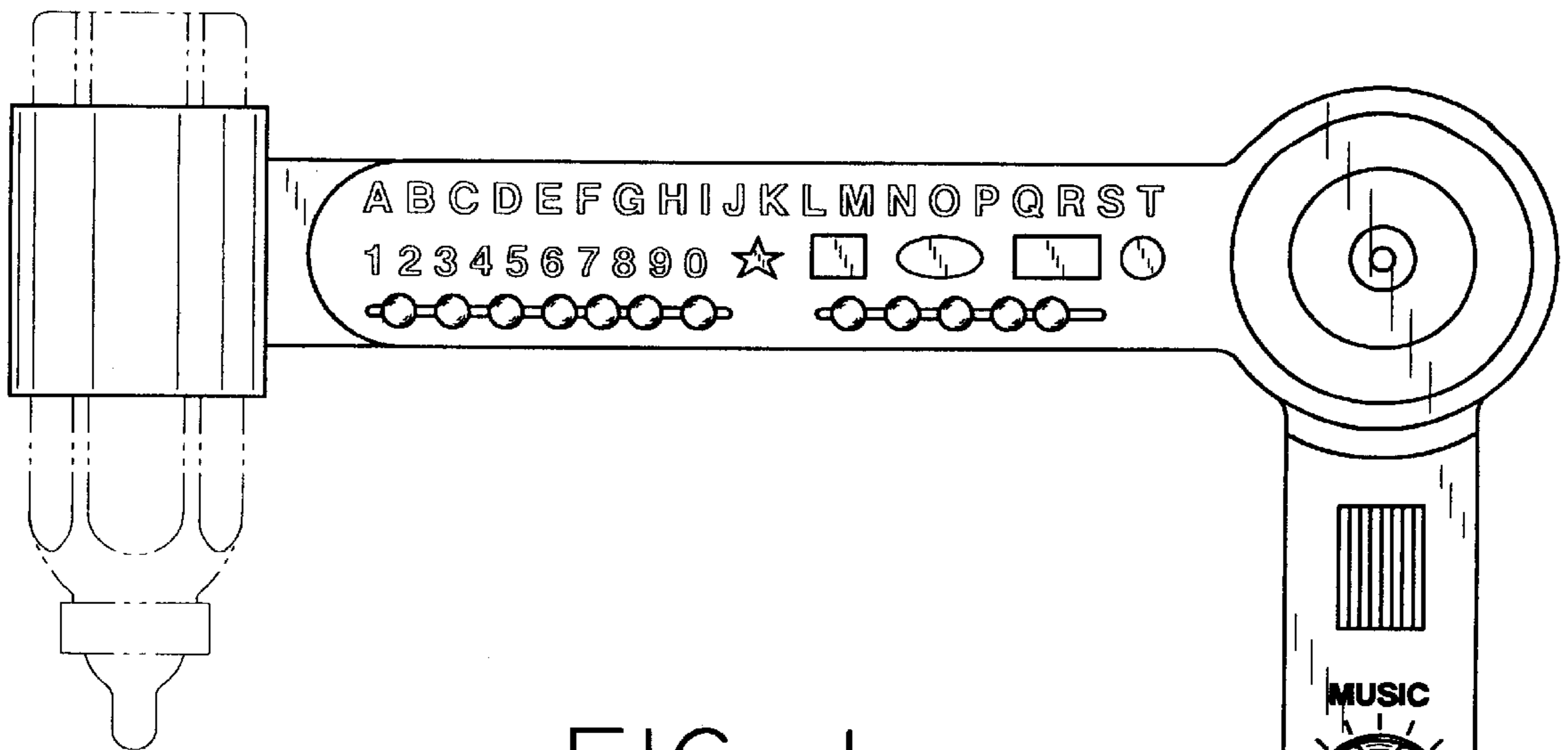
(56) **References Cited**

**U.S. PATENT DOCUMENTS**

D. 313,472	*	1/1991	Pierce	.....	D24/199
D. 353,462		12/1994	McBeth	.	
2,605,069	*	7/1952	Gillaspy	.....	248/103
2,711,872	*	6/1955	Lampke	.....	248/103
3,398,919	*	8/1968	Tokar	.....	248/103
3,627,161		12/1971	Wergeland	.	
4,034,945	*	7/1977	Sato	.....	248/103
4,735,388		4/1988	Marks	.	
5,511,980		4/1996	Wood	.	
5,664,746		9/1997	Benzakarya	.	
5,704,505	*	1/1998	Singh	.....	215/397

**1 Claim, 3 Drawing Sheets**





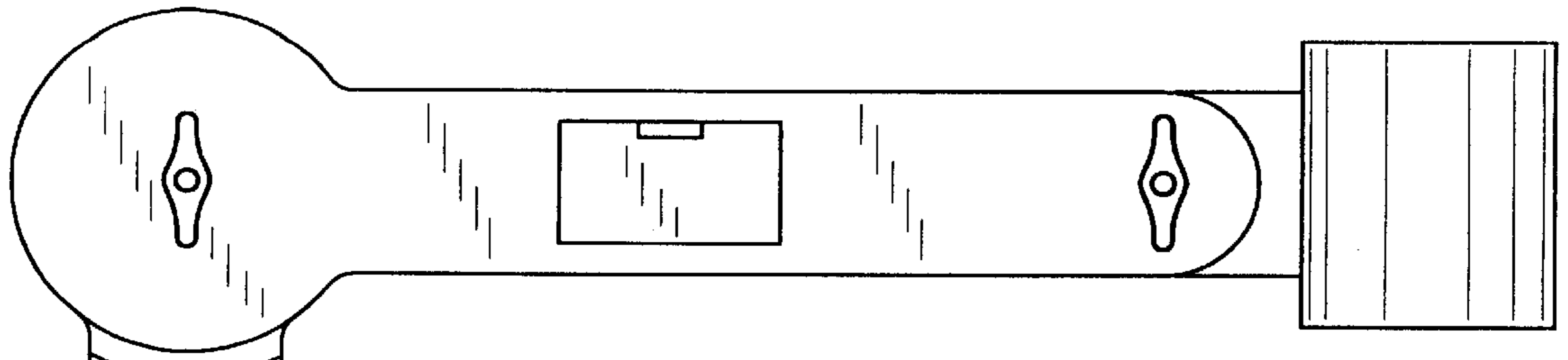


FIG. 2

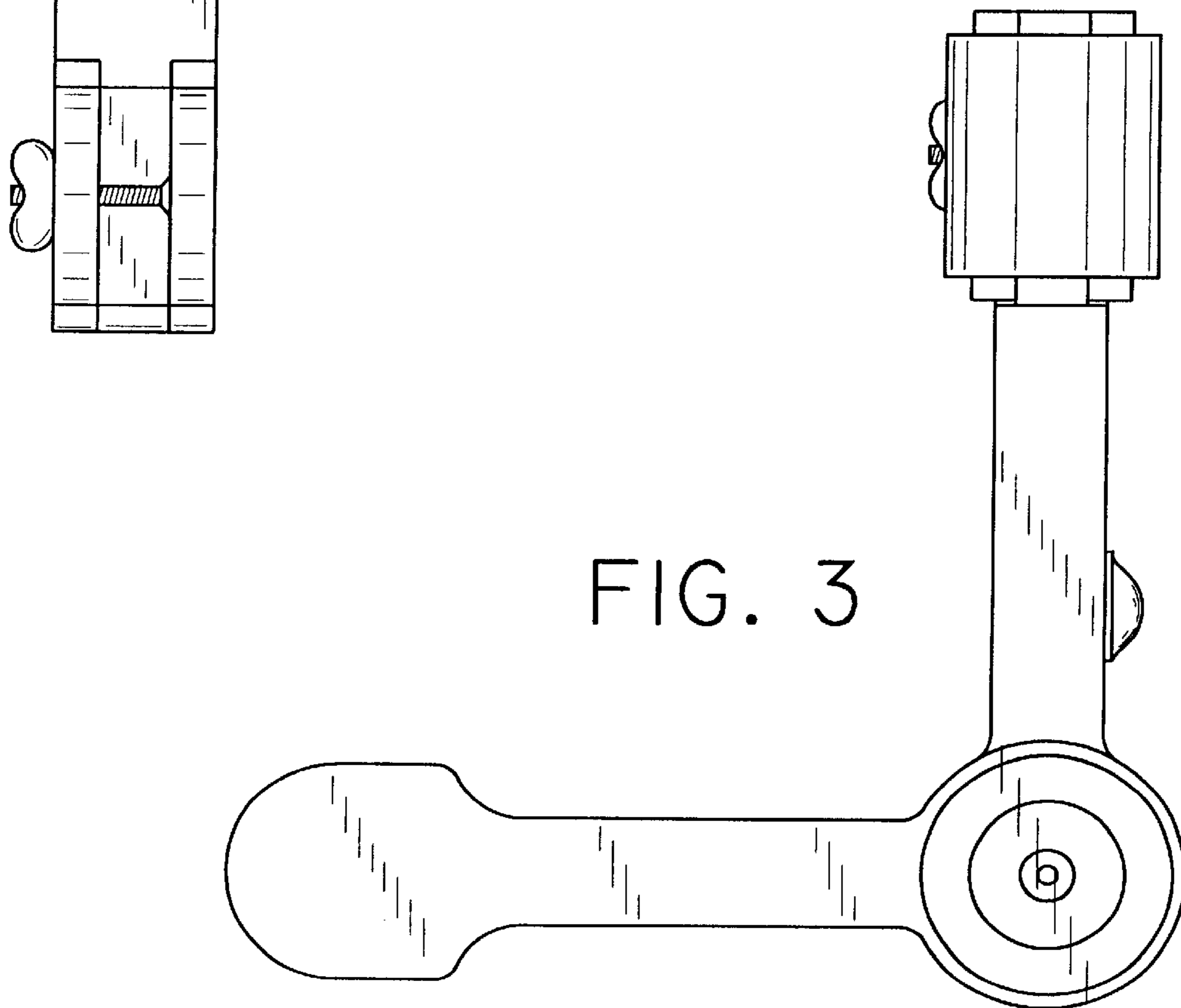


FIG. 3

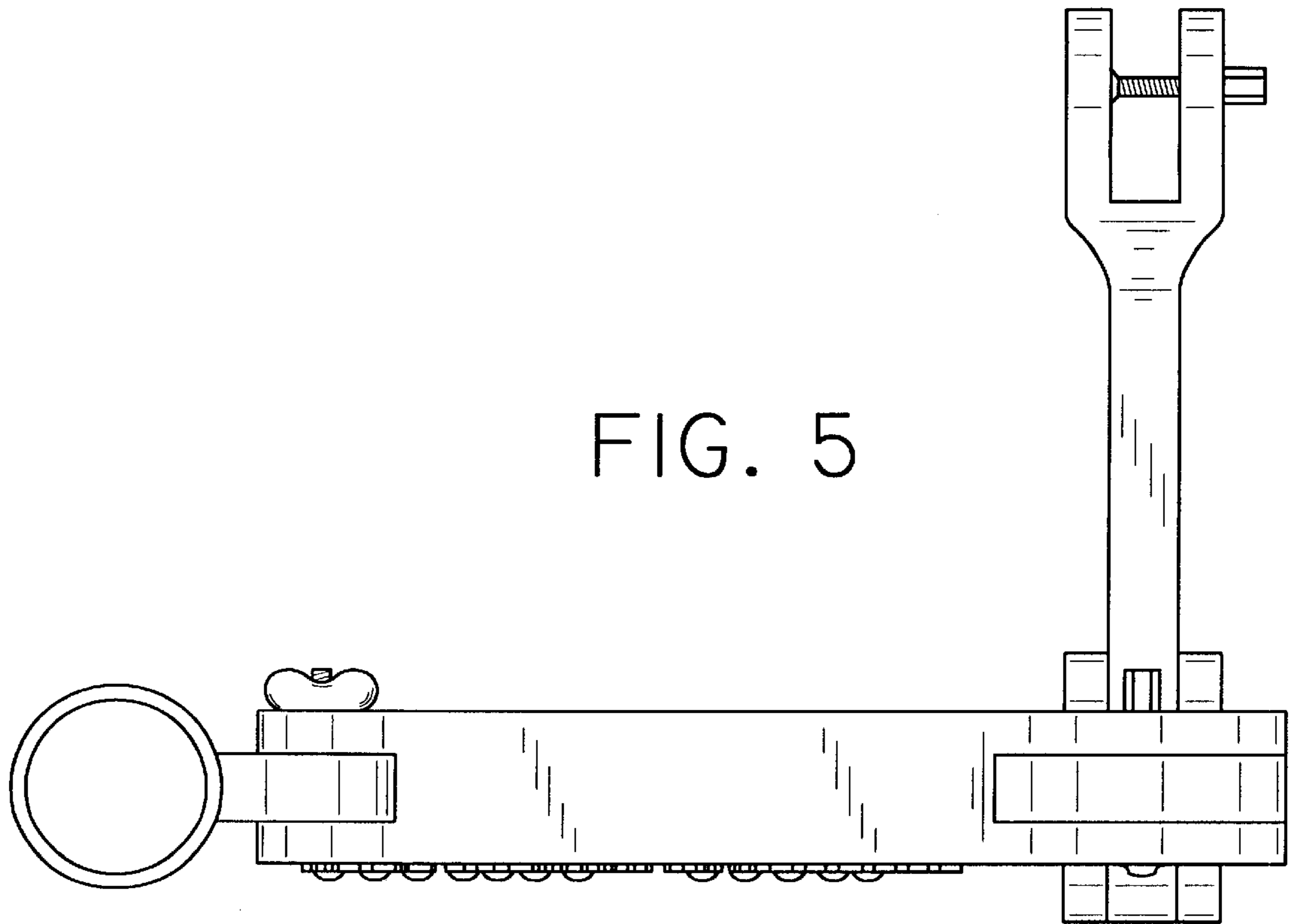


FIG. 5

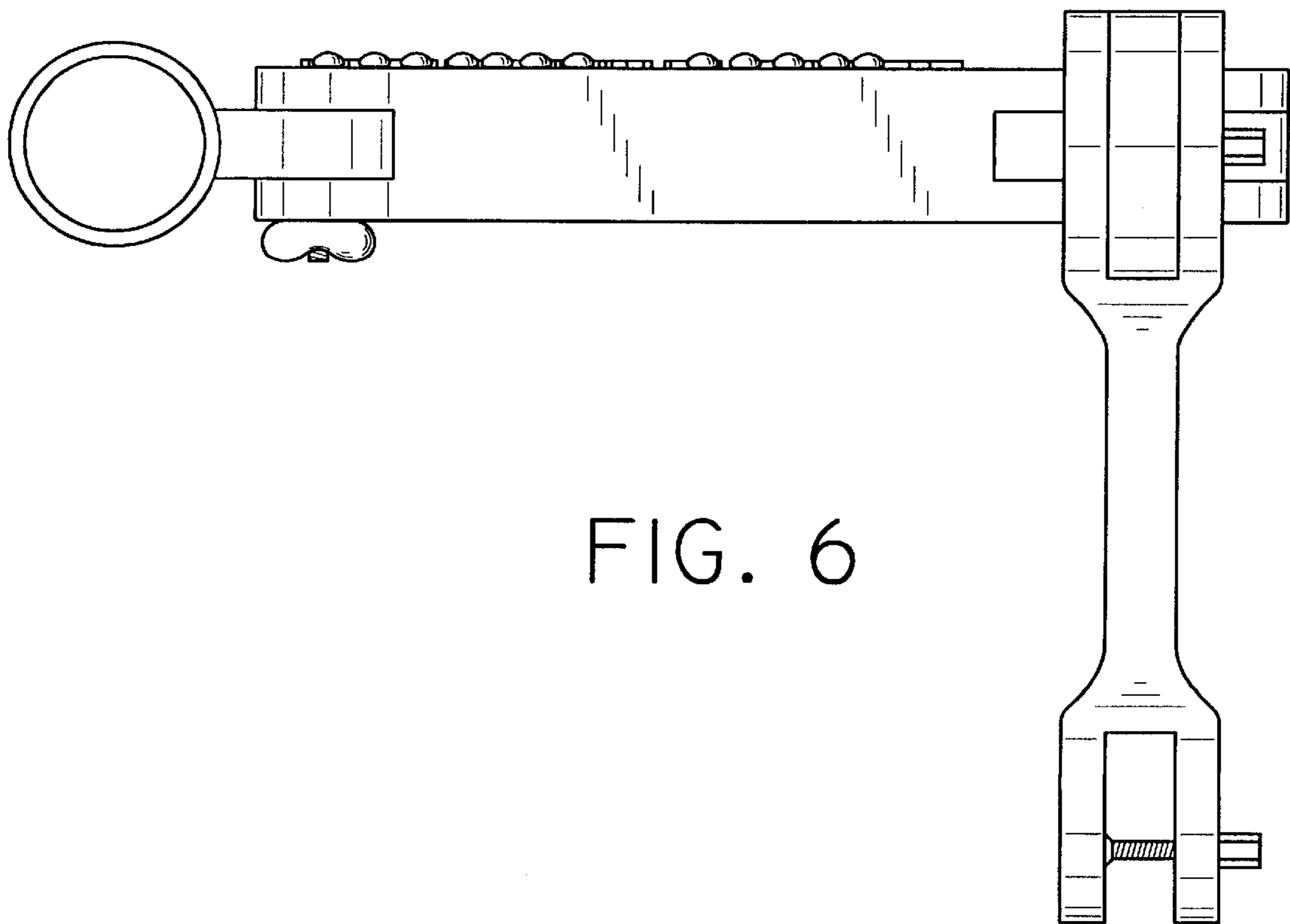


FIG. 6