



US00D451200B1

(12) United States Design Patent

Johansen et al.

(10) Patent No.: **US D451,200 S**

(45) Date of Patent: **** Nov. 27, 2001**

(54) **MIXING RING FOR NURSING BOTTLE**

(75) Inventors: **Jean L. Johansen; Brenda J. Meyers,**
both of Reedsburg, WI (US); **Alice A. Mensch,**
Chicago, IL (US); **Mark P. Slaven,**
Evanston, IL (US)

(73) Assignee: **Gerber Products Company,**
Reedsburg, WI (US)

(**) Term: **14 Years**

3,645,413	2/1972	Mitchell	215/11 R
3,651,973	3/1972	Yamauchi	215/11 B
3,677,198	7/1972	La Barge	215/11 C
3,746,198	7/1973	Howland	215/11 R
3,747,414	7/1973	Ohno	73/428
3,747,791	7/1973	Fouser	215/11 R
3,796,337	3/1974	Seunevel	215/11 C
3,820,692	6/1974	Swett et al.	222/547
4,613,050	9/1986	Atkin et al.	215/11 B
4,700,856	10/1987	Campbell et al.	215/11 E
4,818,114	4/1989	Ghavi	366/130

(List continued on next page.)

(21) Appl. No.: **29/136,796**

(22) Filed: **Feb. 6, 2001**

(51) **LOC (7) Cl. 07-01**

(52) **U.S. Cl. D24/197**

(58) **Field of Search D24/197; 215/11.1,**
215/11.2, 11.3, 11.4, 11.5, 11.6; D7/300.1,
412, 619

FOREIGN PATENT DOCUMENTS

832916	10/1938	(FR) .
1003787	3/1952	(FR) .
782804	9/1957	(GB) .
2154451A	9/1985	(GB) .
594305	5/1959	(IT) .

Primary Examiner—Stella Reid

(74) *Attorney, Agent, or Firm*—Drinker Biddle & Reath
LLP

(56) **References Cited**

U.S. PATENT DOCUMENTS

D. 309,948	8/1990	Chambers	D24/47
D. 315,213	3/1991	Ohnuki	D24/47
D. 315,409	3/1991	Baarber	D24/47
D. 330,084	10/1992	Kwang	D24/198
D. 356,160	3/1995	Cautereels	D24/197
D. 368,528	4/1996	Allegre	D24/197
D. 368,529	4/1996	Allegre	D24/197
D. 374,150	10/1996	Lillelund et al.	D7/387
D. 383,847	9/1997	Skinner	D24/197
D. 393,075	3/1998	Allegre	D24/197
D. 420,448	2/2000	Brown et al.	D24/197
1,075,119	10/1913	Reichner .	
1,632,854	6/1927	Rogers .	
1,672,466	6/1928	Oshman et al. .	
1,672,467	6/1928	Oshman et al. .	
1,733,184	10/1929	Decker .	
1,749,313	3/1930	Burtchaell .	
2,592,485 *	4/1952	Stair	366/130
3,273,703	9/1966	Stribley	206/46
3,366,261	1/1968	Dewey	215/11
3,530,979	9/1970	Merrill et al.	206/46
3,593,870	7/1971	Anderson	215/11 B

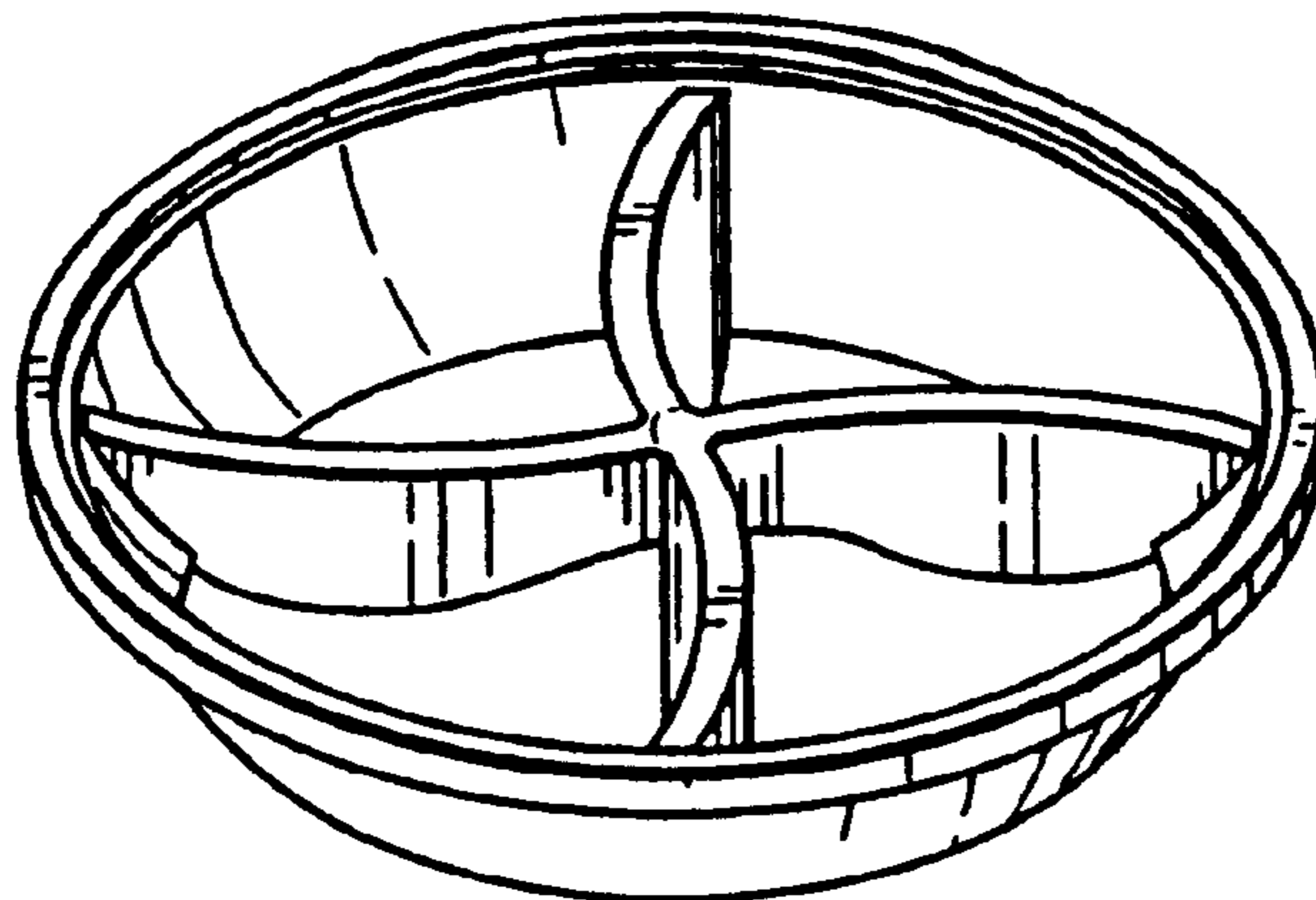
(57) **CLAIM**

The ornamental design for a mixing ring for nursing bottle, as shown and described.

DESCRIPTION

FIG. 1 is a top, isometric view of a mixing ring for a nursing bottle, showing our new design;
FIG. 2 is a front elevational view thereof, the back elevational view being identical;
FIG. 3 is a side elevational view thereof, rotated 45 degrees, the opposite side elevational view being a mirror image thereof;
FIG. 4 is a top plan view thereof;
FIG. 5 is a bottom plan view thereof;
FIG. 6 is another front elevational view thereof; and,
FIG. 7 is another top plan view thereof.
The broken line showing of the nursing bottle in FIGS. 6 and 7 is for illustrative purposes only and forms no part of the claimed design.

1 Claim, 2 Drawing Sheets



US D451,200 S

Page 2

U.S. PATENT DOCUMENTS

			5,509,549	4/1996	Marandola	215/11.3
			5,547,275	8/1996	Lillelund et al.	366/130
4,915,242	4/1990	Marte	5,579,935	12/1996	Atkins et al.	215/11.1
5,020,679	6/1991	Signorini	5,788,369	8/1998	Tseng	316/130
5,038,948	8/1991	Signorini	5,791,503	8/1998	Lyons	215/11.5
5,069,351	12/1991	Gunderson et al.	5,794,802	8/1998	Caola	215/11.1
5,215,203	6/1993	Malcolm	5,863,126	1/1999	Guild	366/130
5,295,597	3/1994	Green	5,878,898	3/1999	Shefflin	215/11.6
5,316,160	5/1994	Cautereels	6,016,929	1/2000	Williams	215/11.1
5,353,964	10/1994	Liu et al.	6,042,850	3/2000	Ida et al.	426/2
5,419,445	5/1995	Kaesemeyer				
5,433,328	7/1995	Baron et al.				

* cited by examiner

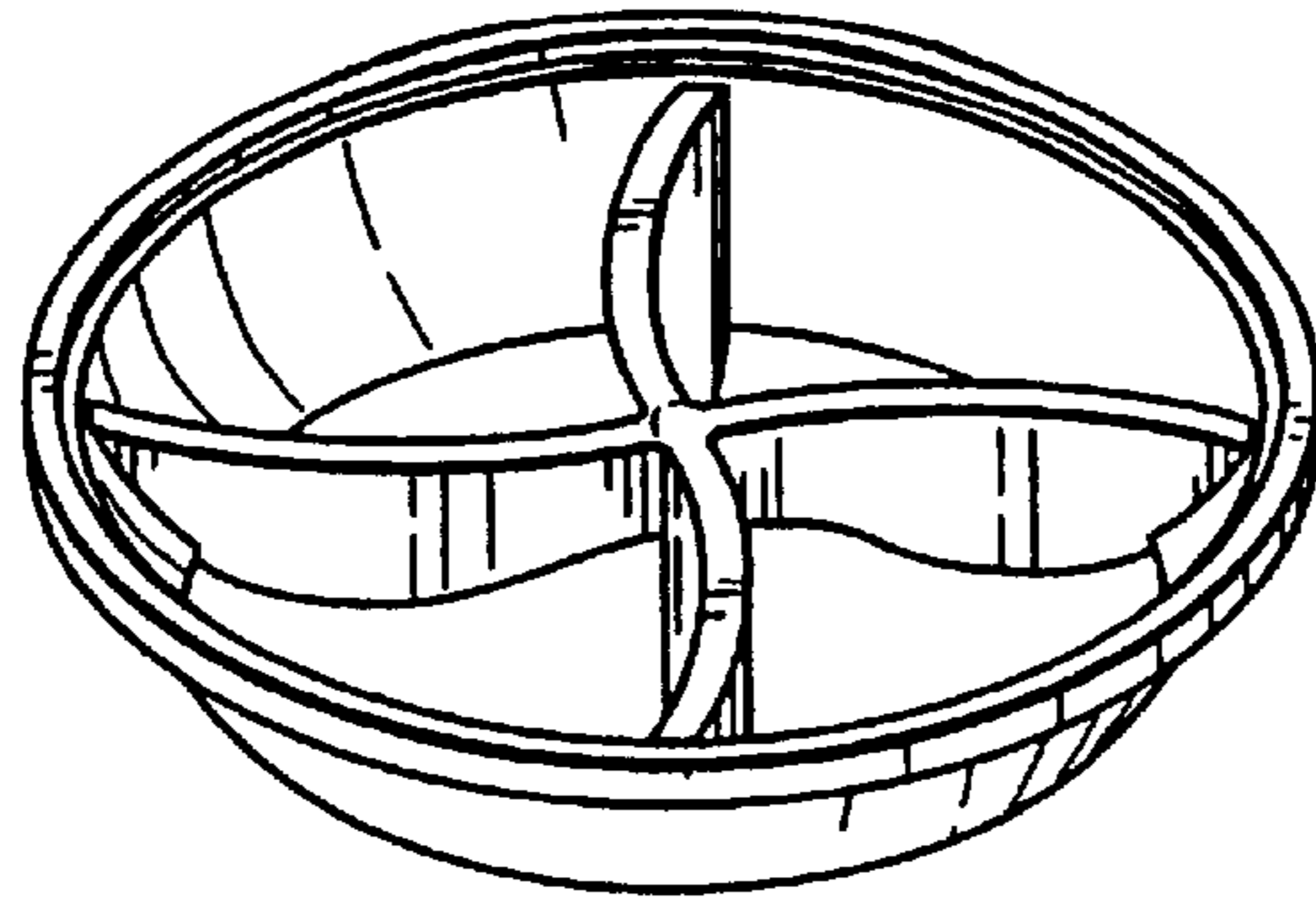


FIG. 1

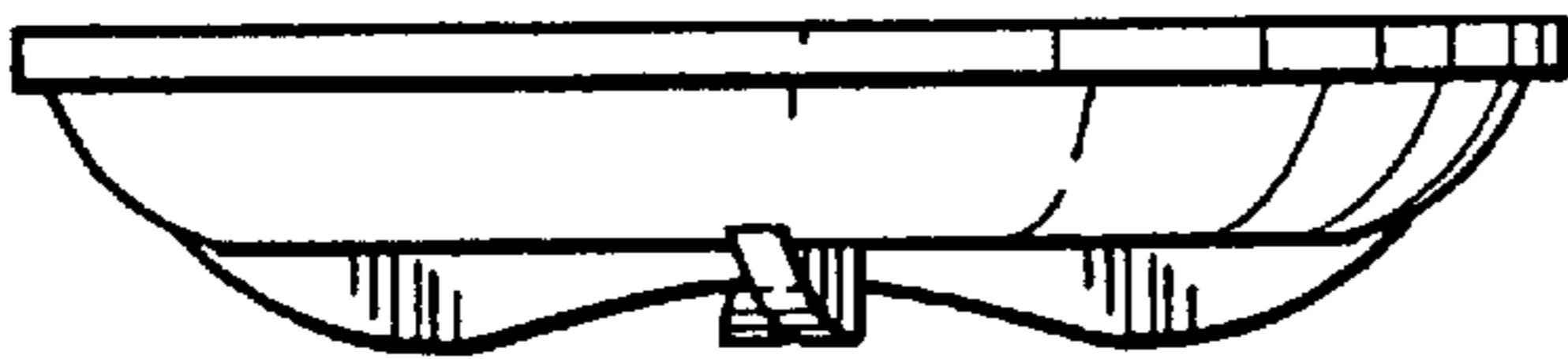


FIG. 2



FIG. 3

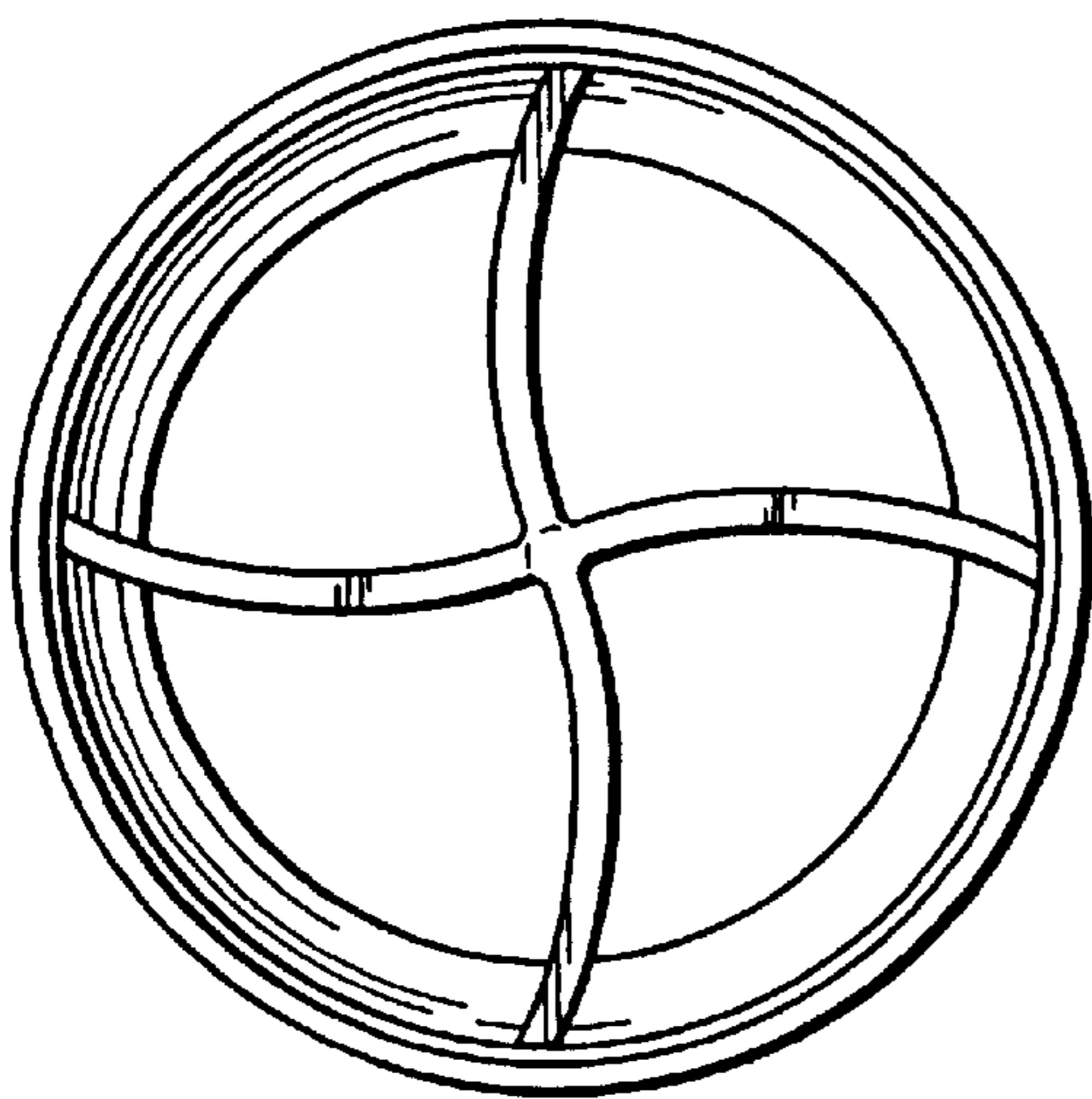


FIG. 4

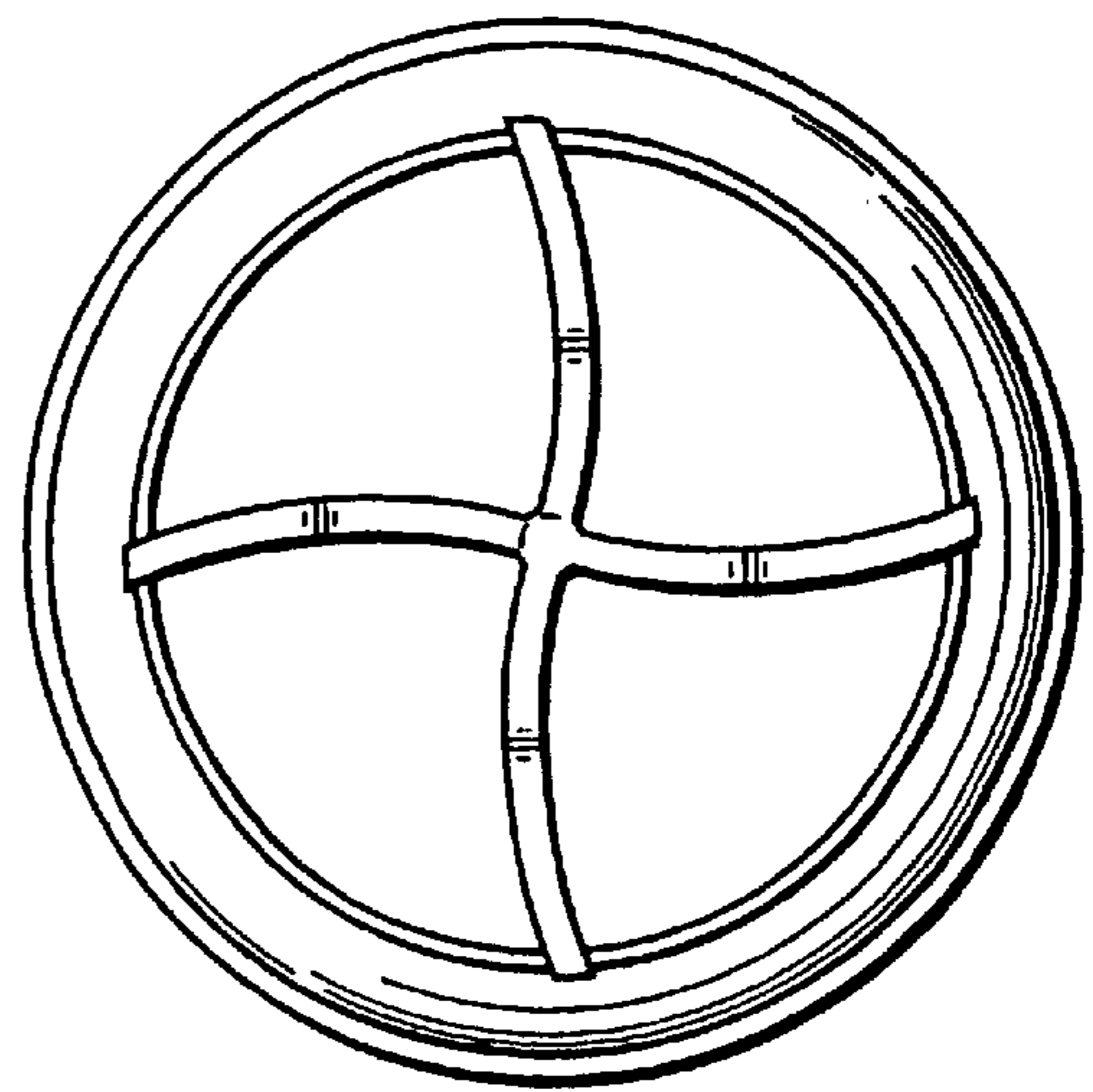


FIG. 5

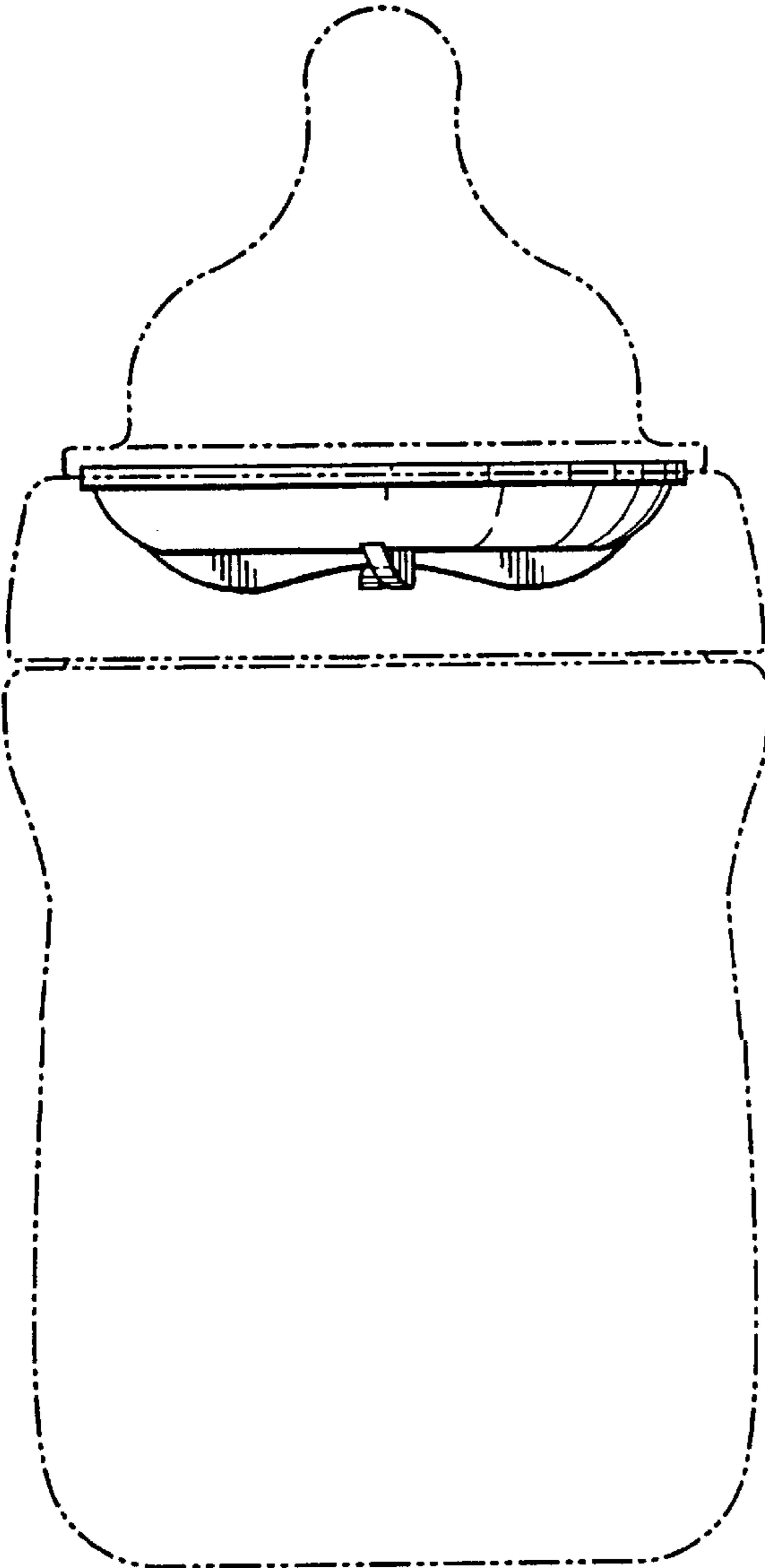


FIG. 6

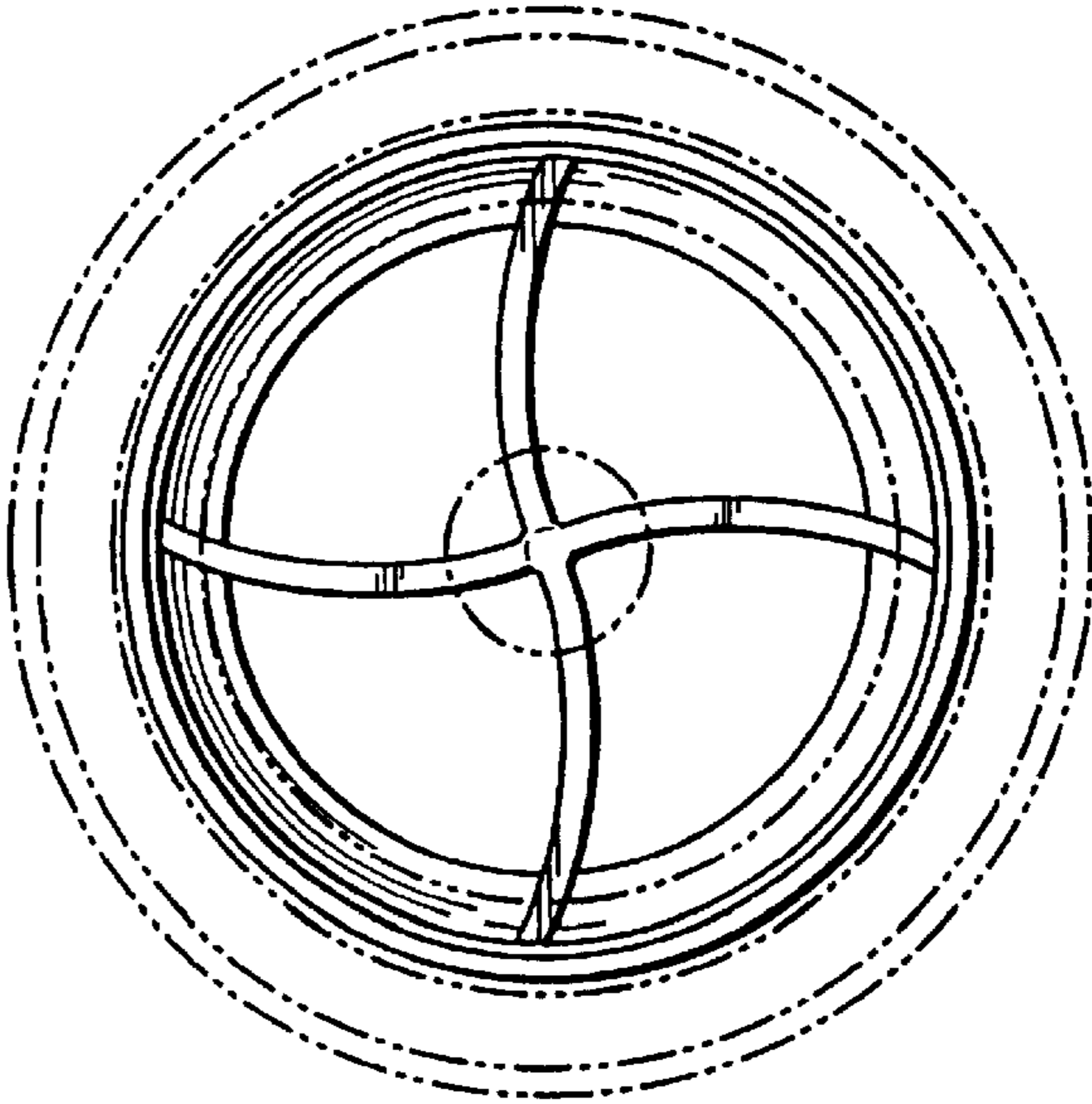


FIG. 7