



US00D451199B1

(12) **United States Design Patent**
Atkin et al.

(10) **Patent No.:** **US D451,199 S**

(45) **Date of Patent:** **** Nov. 27, 2001**

(54) **DIAPHRAGM MOUNT FOR INFANT FEEDING BOTTLE**

(75) Inventors: **Edward Atkin**, London; **Roger Leonard Williams**, Hertfordshire, both of (GB)

(73) Assignee: **Cannon Rubber Limited**, London (GB)

(**) Term: **14 Years**

(21) Appl. No.: **29/129,953**

(22) Filed: **Sep. 27, 2000**

(51) **LOC (7) Cl.** **07-01**

(52) **U.S. Cl.** **D24/197**

(58) **Field of Search** D24/197; 215/11.1, 215/11.2, 11.3, 11.4, 11.5, 11.6

(56) **References Cited**

U.S. PATENT DOCUMENTS

2,979,078 * 4/1961 Witz 215/11.4

3,946,888	*	3/1976	Tonkin	215/11.5
4,339,046	*	7/1982	Coen	215/11.5
4,685,577	*	8/1987	Chen	215/11.5
5,071,017	*	12/1991	Stull	215/260
5,499,729	*	3/1996	Greenwood et al.	215/11.5
5,791,503	*	8/1998	Lyons	215/11.5

* cited by examiner

Primary Examiner—Stella Reid

(74) *Attorney, Agent, or Firm*—McDermott, Will & Emery

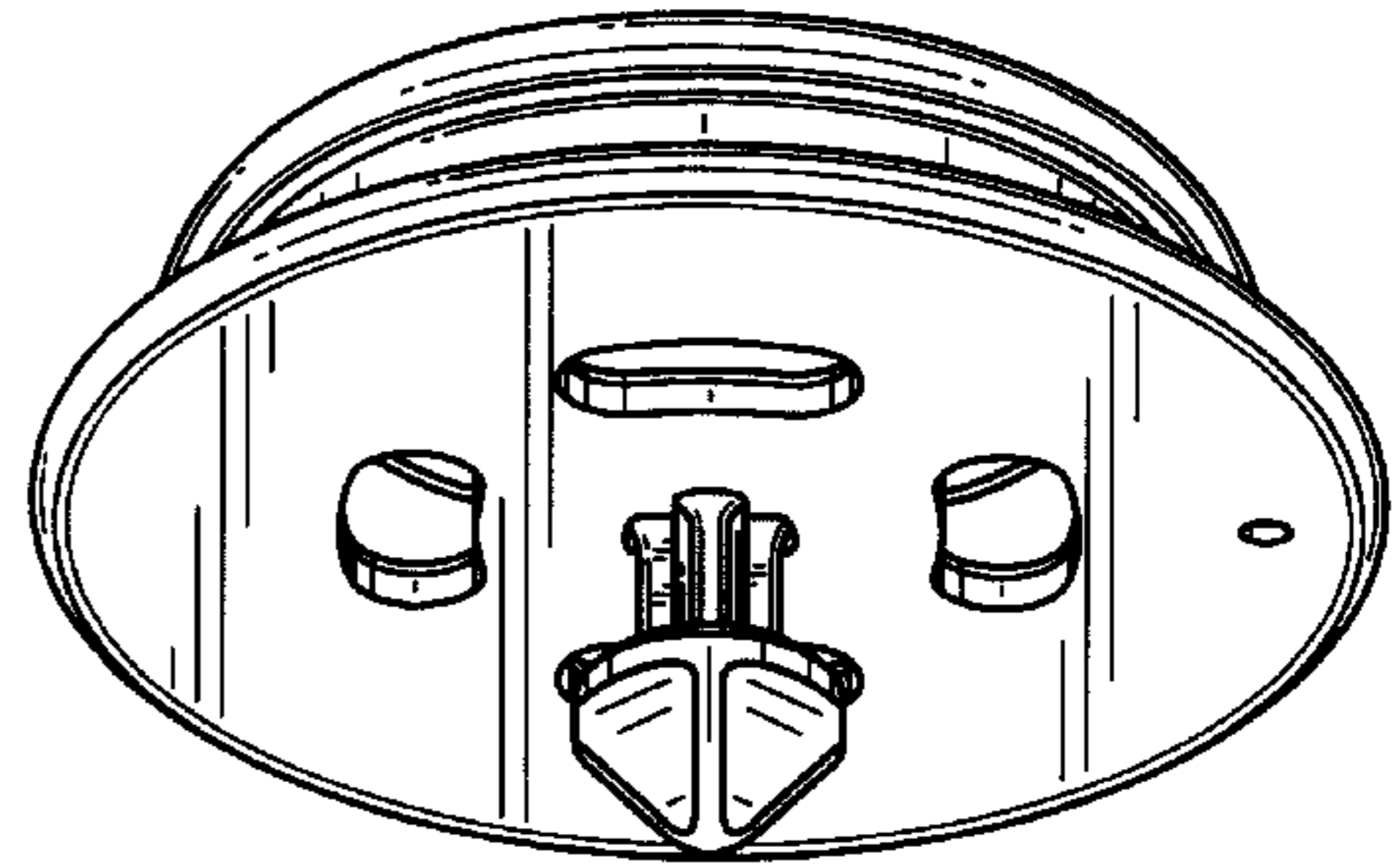
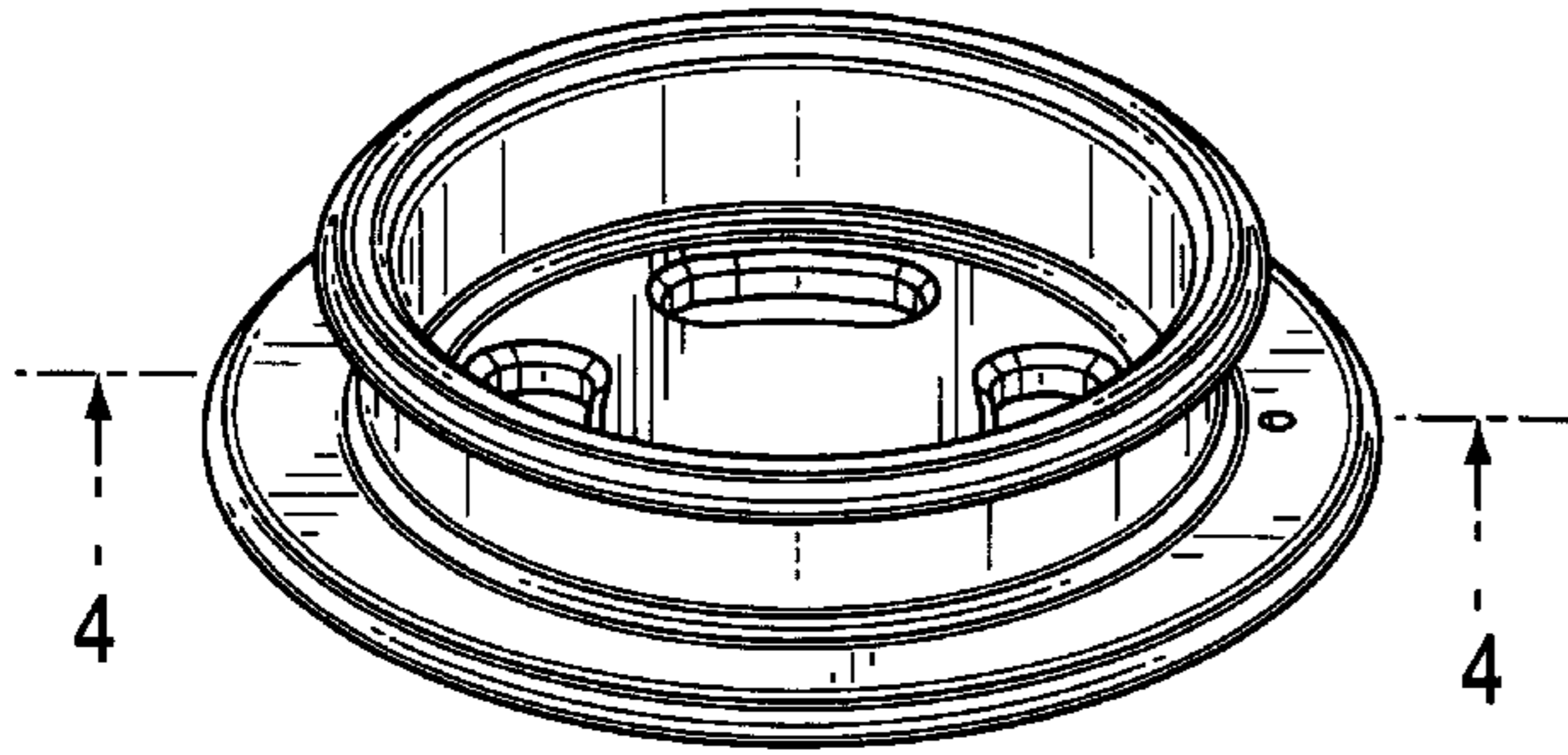
(57) **CLAIM**

The ornamental design for a diaphragm mount for infant feeding bottle, as shown and described.

DESCRIPTION

FIG. 1 is a top perspective view of a diaphragm mount for infant feeding bottle, showing our new design; FIG. 2 is a bottom perspective view thereof; FIG. 3 is a side view thereof; and, FIG. 4 is a cross-sectional view taken along line 4—4 of FIG. 1.

1 Claim, 2 Drawing Sheets



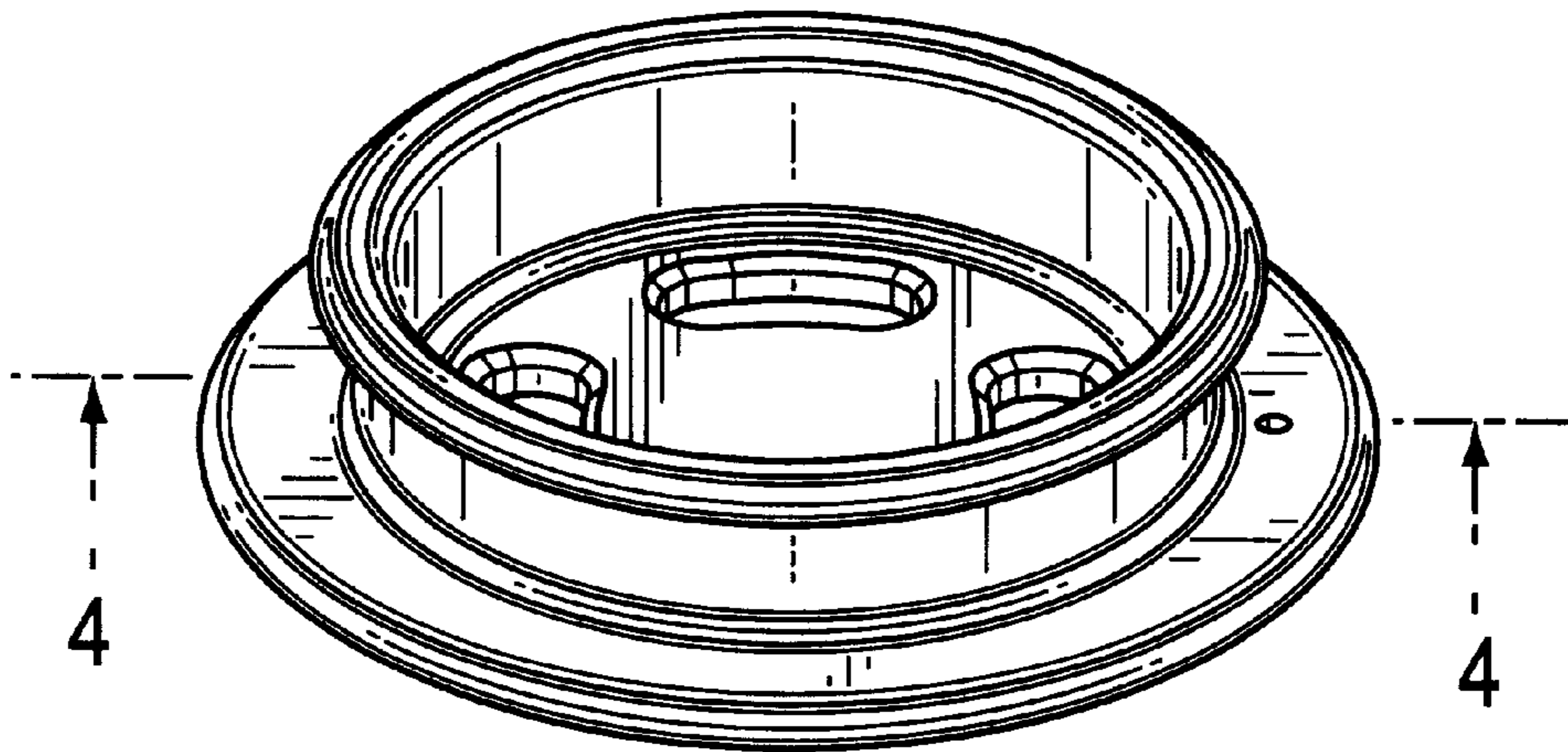


FIG. 1

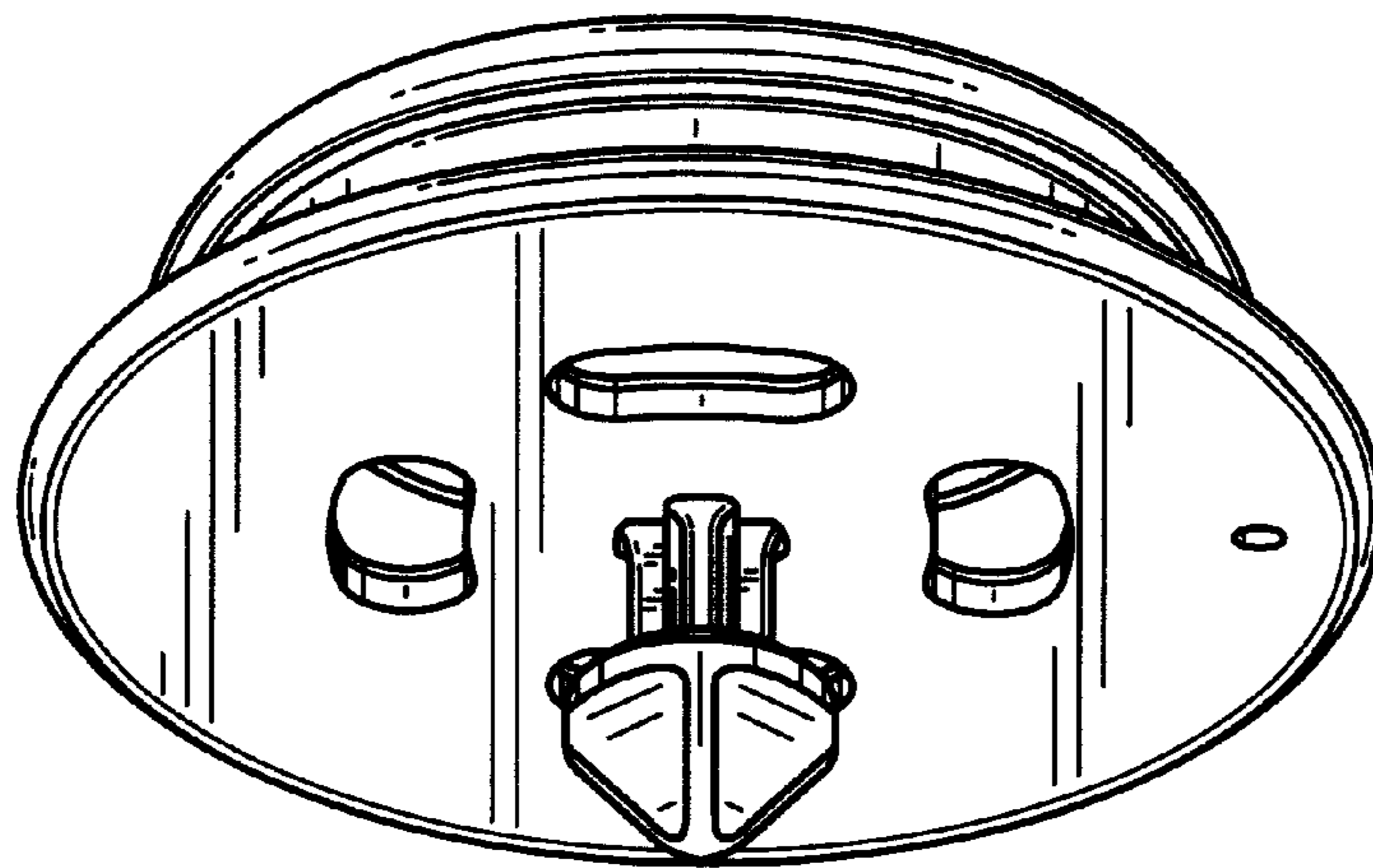


FIG. 2

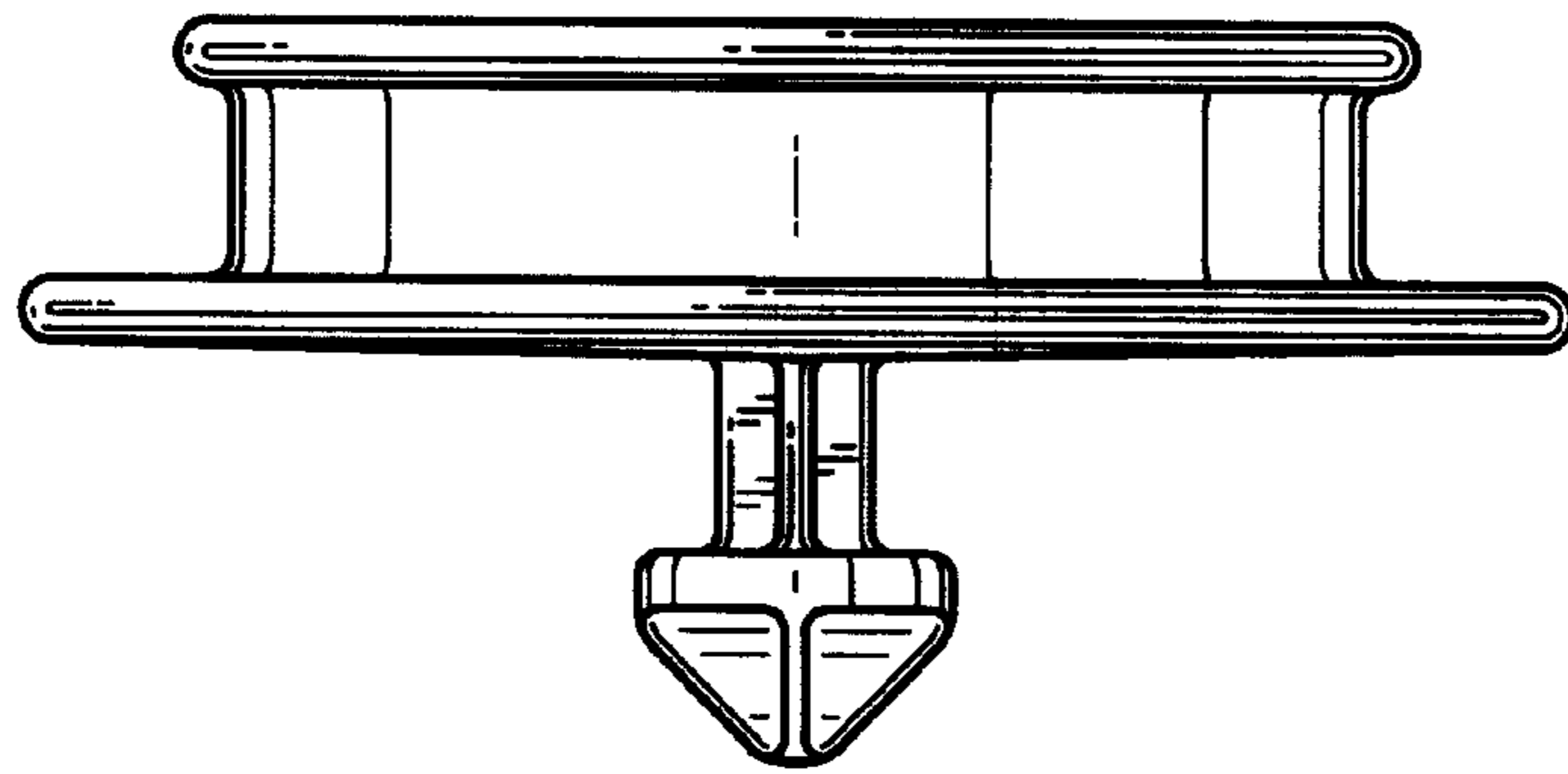


FIG. 3

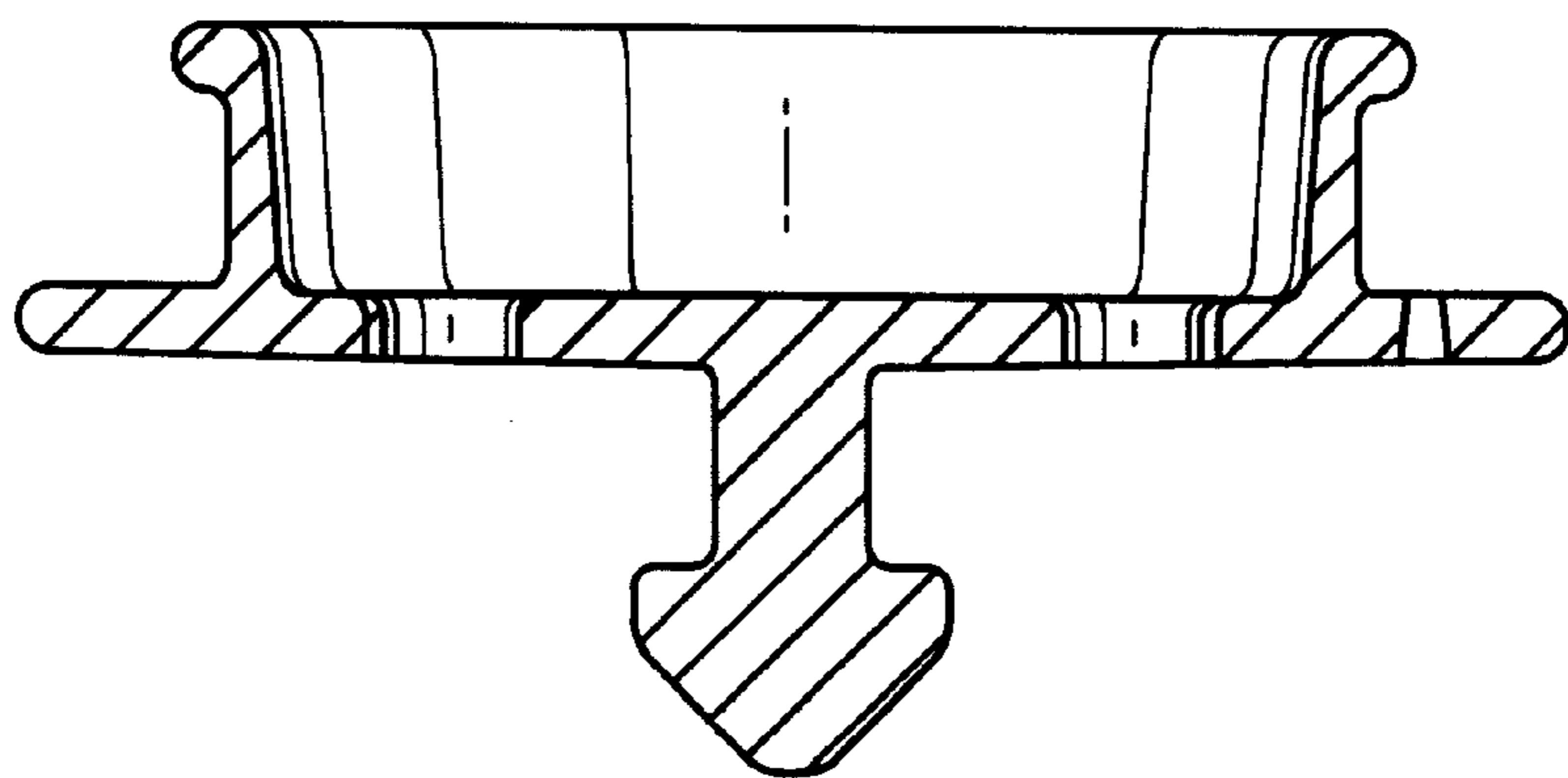


FIG. 4