



US00D451196B1

(12) **United States Design Patent**
Block et al.

(10) **Patent No.:**

US D451,196 S

(45) **Date of Patent:**

**** Nov. 27, 2001**

(54) **DERMABRASION HAND PIECE**

(75) Inventors: **Randall D. Block; Eric M. Simon,**
both of Salt Lake City, UT (US)

(73) Assignee: **Dynatronics Corporation,** Salt Lake
City, UT (US)

(**) Term: **14 Years**

(21) Appl. No.: **29/119,377**

(22) Filed: **Feb. 28, 2000**

(51) **LOC (7) Cl.** **24-02**

(52) **U.S. Cl.** **D24/133; D24/112; D24/146**

(58) **Field of Search** D24/133, 146,
D24/147; 606/131, 132; 451/75, 90, 91,
102

(56) **References Cited**

U.S. PATENT DOCUMENTS

D. 441,863	*	5/2001	Khalaj et al.	D24/133
2,608,032		8/1952	Garver	51/11
2,921,585		1/1960	Schumann	128/355
3,085,573		4/1963	Meyer et al.	128/240
3,574,239		4/1971	Sollerud	4/1
3,715,838		2/1973	Young et al.	51/12
4,090,334		5/1978	Kurowski et al.	51/427
4,375,740		3/1983	Brown	51/425
4,445,517		5/1984	Feild	128/752
4,516,398		5/1985	Wuchinich	604/22

(List continued on next page.)

FOREIGN PATENT DOCUMENTS

3421390 A1	12/1985	(DE) .
234608 A1	4/1986	(DE) .
4102684 A1	8/1992	(DE) .
9215436	3/1994	(DE) .
0035040 A1	9/1981	(EP) .
0143617 A2	6/1985	(EP) .
0258901 A2	3/1988	(EP) .
0564392 A2	10/1993	(EP) .
0806184 A1	11/1997	(EP) .
1.136.127	5/1957	(FR) .

553076	12/1956	(IT) .
1184922	10/1987	(IT) .
WO 97/11650	4/1997	(WO) .
WO 99/07439	2/1999	(WO) .
WO 99/20336	4/1999	(WO) .
WO 99/23951	5/1999	(WO) .

OTHER PUBLICATIONS

English language abstract for German Patent No. DE 4102684 A1, listed above.

English language abstract for German Patent No. DD 234608 A1, listed above.

English language abstract for German Patent No. DE 3421390 A1, listed above.

SoundSkin Corporation, "Smart Peel Skin Exfoliation System" (1998, U.S.A.).

Silhouet-Tone (U.S.A.) Ltd., "Micro Peel" (U.S.A.).

Micro Dermabrasion International, "Skin-A-Peel" (U.S.A.).

Slimtone USA, "Diamond Dermabrasion" (U.S.A.).

SMEI srl, "Skin System E" (Italy).

Cosmos Medical Technology, Inc., "EuroPeel Micro-Dermabrasion System" (U.S.A.).

Primary Examiner—Ian Simmons

(74) *Attorney, Agent, or Firm*—Kirton & McConkie; Berne S. Broadbent; Keith Hargrove

(57) **CLAIM**

The ornamental design for a dermabrasion hand piece, as shown and described.

DESCRIPTION

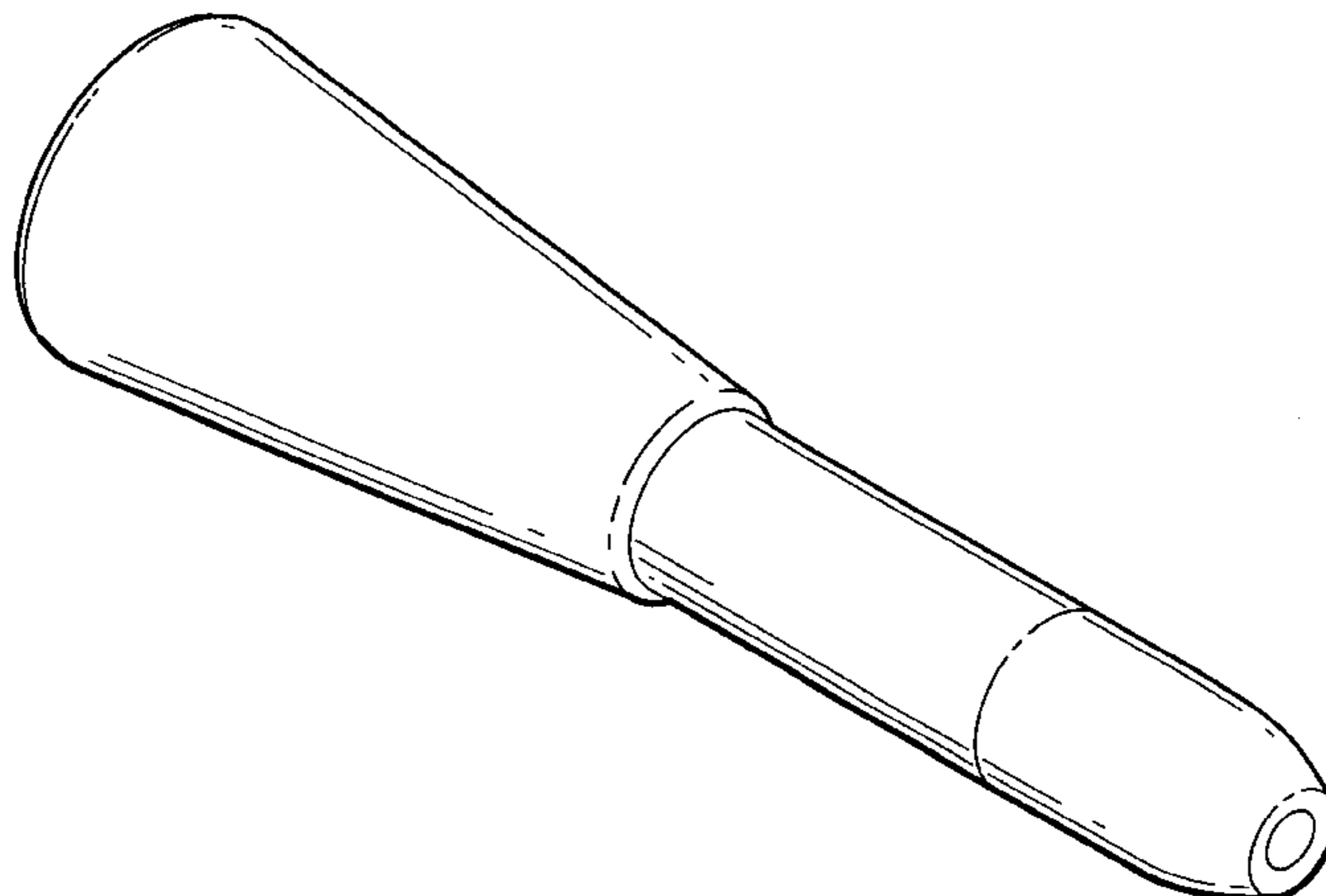
FIG. 1 illustrates a perspective view of the hand piece in accordance with the present invention;

FIG. 2 depicts a side plan view of the hand piece of FIG. 1;

FIG. 3 depicts a front plan view of the hand piece of FIG. 1; and,

FIG. 4 depicts a back plan view of the hand piece of FIG. 1.

1 Claim, 1 Drawing Sheet



US D451,196 S

Page 2

U.S. PATENT DOCUMENTS

4,531,934	7/1985	Kossovsky et al.	604/22	5,334,019	8/1994	Goldsmith et al.	433/88
4,560,373	12/1985	Sugino et al.	604/30	5,350,299	9/1994	Gallant	433/88
4,578,058	3/1986	Grandon	604/27	5,423,803	6/1995	Tankovich et al.	606/9
4,646,480	3/1987	Williams	51/424	5,484,283	1/1996	Franetzki	433/116
4,674,239	6/1987	Jodoin	51/424	5,489,291	2/1996	Wiley	606/170
4,676,749	6/1987	Mabille	433/88	5,525,058	6/1996	Gallant et al.	433/88
4,757,814	7/1988	Wang et al.	128/318	5,562,643	10/1996	Johnson	604/290
4,966,609	10/1990	Callinan et al.	51/295	5,752,829	5/1998	Goldsmith et al.	433/88
5,037,431	8/1991	Summers et al.	606/131	5,765,759	6/1998	Bruns et al.	239/398
5,037,432	8/1991	Molinari	606/131	5,795,626	8/1998	Gabel et al.	427/458
5,080,656	1/1992	Martz et al.	604/289	5,800,446	9/1998	Banuchi	606/131
5,100,412	3/1992	Rosso	606/131	5,810,842	9/1998	Di Fiore et al.	606/131
5,207,234	5/1993	Rosso	128/898	5,885,211	3/1999	Eppstein et al.	600/309
5,322,504	6/1994	Doherty et al.	606/167	5,971,999 *	10/1999	Naldoni	606/131
5,330,354	7/1994	Gallant	433/88	6,139,554 *	10/2000	Karkar et al.	606/131
5,334,016	8/1994	Goldsmith et al.	433/29	6,235,039 *	5/2001	Parkin et al.	606/131

* cited by examiner

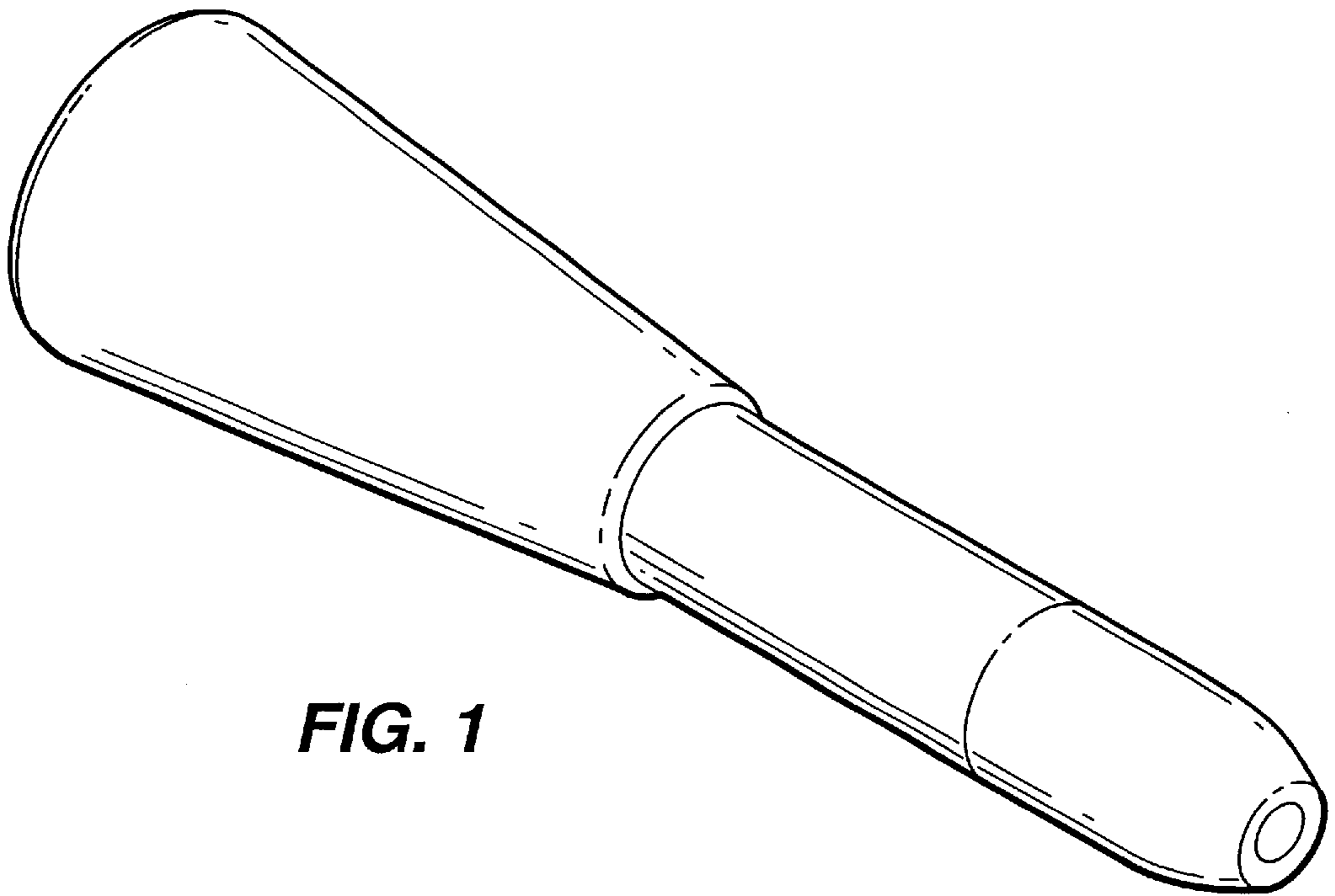


FIG. 1

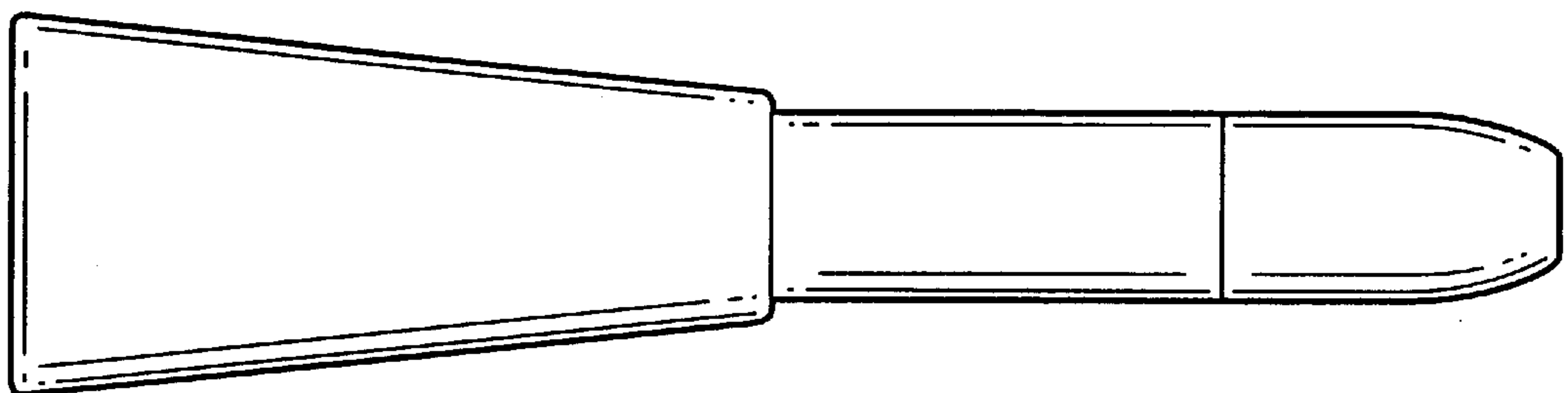


FIG. 2

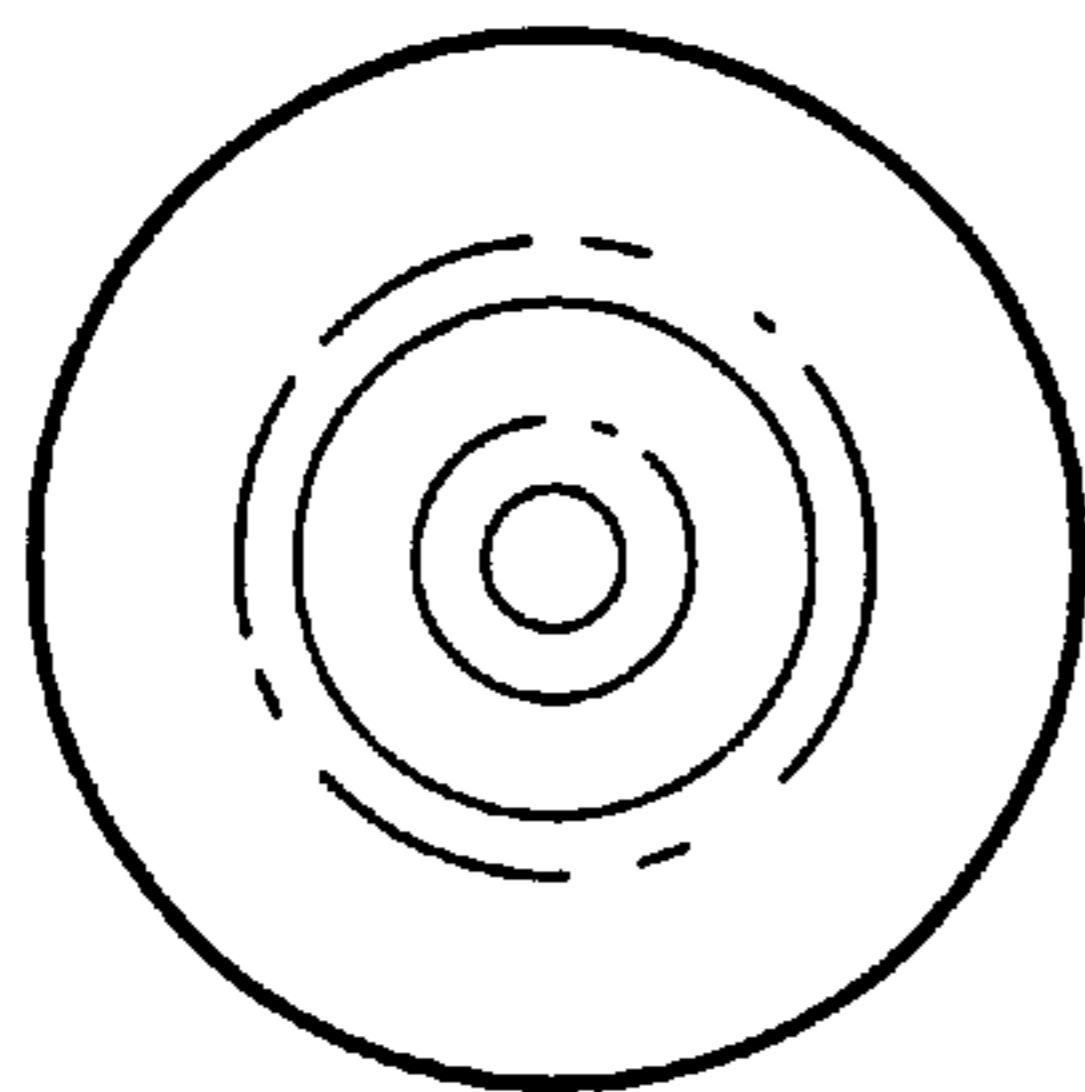


FIG. 3

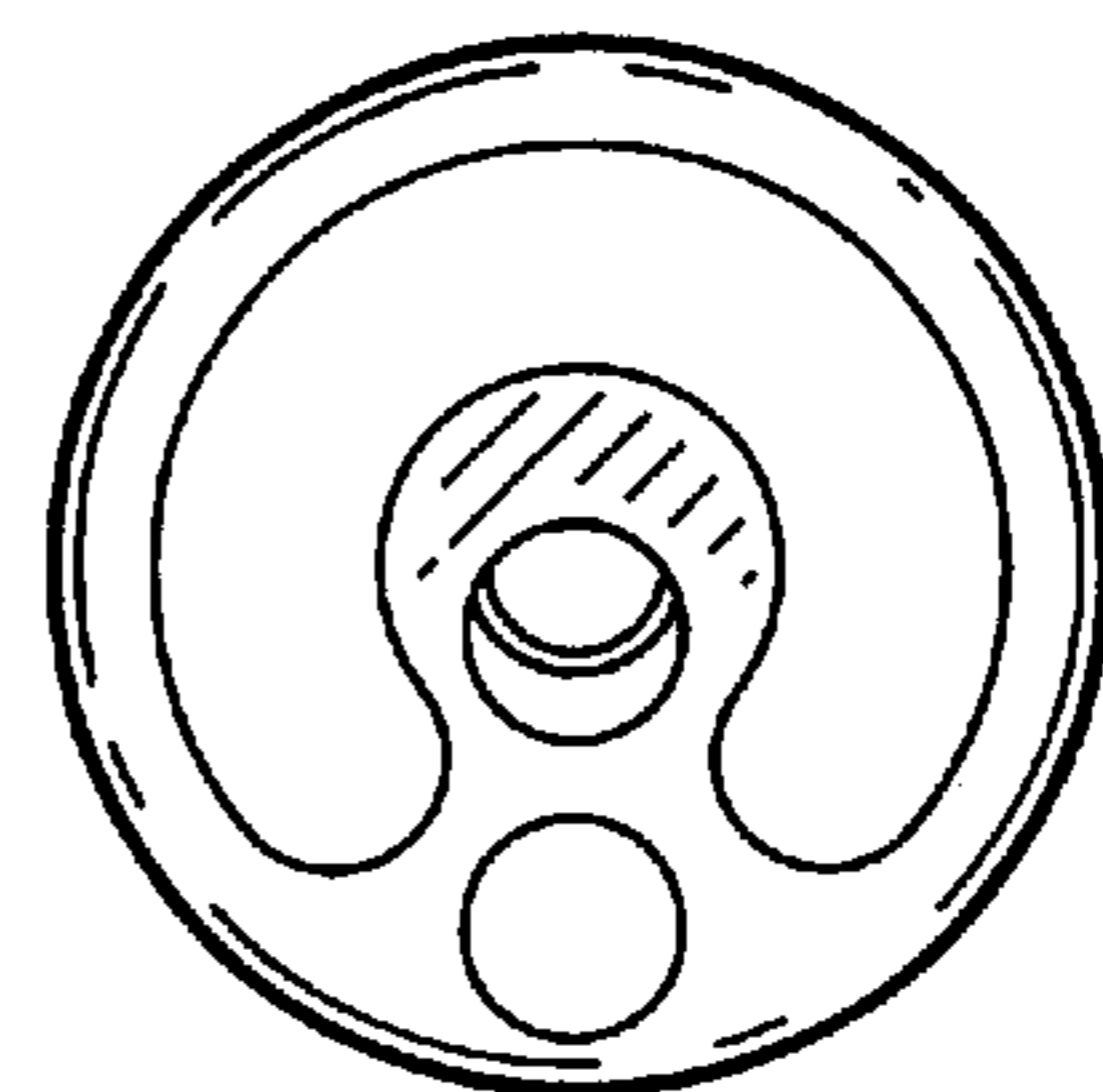


FIG. 4