



US00D451195B2

(12) **United States Design Patent**
Daniels et al.

(10) **Patent No.:** **US D451,195 S**

(45) **Date of Patent:** **** Nov. 27, 2001**

(54) **SET OF SHARPS CONTAINERS**

(75) Inventors: **Dan Daniels**, Dandenong South; **Philip David Savory**, Mornington; **Mario Matkovich**, Williamstown, all of (AU)

(73) Assignee: **Catalina Nominees**, Vic (AU)

(**) Term: **14 Years**

(21) Appl. No.: **29/122,885**

(22) Filed: **May 5, 2000**

(30) **Foreign Application Priority Data**

Nov. 9, 1999 (AU) AU3658/99

(51) **LOC (7) Cl.** **24-02**

(52) **U.S. Cl.** **D24/131; D34/7**

(58) **Field of Search** D24/131; D34/7,
D34/10, 11, 1; 206/366, 365, 367, 369,
370, 567, 570

(56) **References Cited**

U.S. PATENT DOCUMENTS

D. 332,680	*	1/1993	Ramirez	D34/7
D. 360,062	*	7/1995	Mosior	D24/131
4,714,168		12/1987	Johnson et al.	.	
4,715,498		12/1987	Hanifl	.	
4,890,733	*	1/1990	Anderson	206/365
5,065,939		11/1991	Boothe et al.	.	
5,076,429		12/1991	Patrick et al.	.	
5,117,997	*	6/1992	Fink	206/560
5,154,345		10/1992	Shillington	.	
5,387,735		2/1995	Ponsi et al.	.	
5,570,783	*	11/1996	Thorne et al.	206/366
5,605,245		2/1997	Bernis et al.	.	
5,630,506	*	5/1997	Thorne et al.	206/366
5,740,909		4/1998	Nazare et al.	.	
5,848,692	*	12/1998	Thorne et al.	206/366
6,120,743	*	9/2000	Papari	206/567

FOREIGN PATENT DOCUMENTS

A-47048/89		6/1900	(AU)	.
0 431 879 A1		6/1991	(EP)	.
0 8420641 A1		5/1998	(EP)	.
WO 92/05744		4/1992	(WO)	.

WO 96/31414 10/1996 (WO).

* cited by examiner

Primary Examiner—Ian Simmons

(74) *Attorney, Agent, or Firm*—Lyon & Lyon LLP

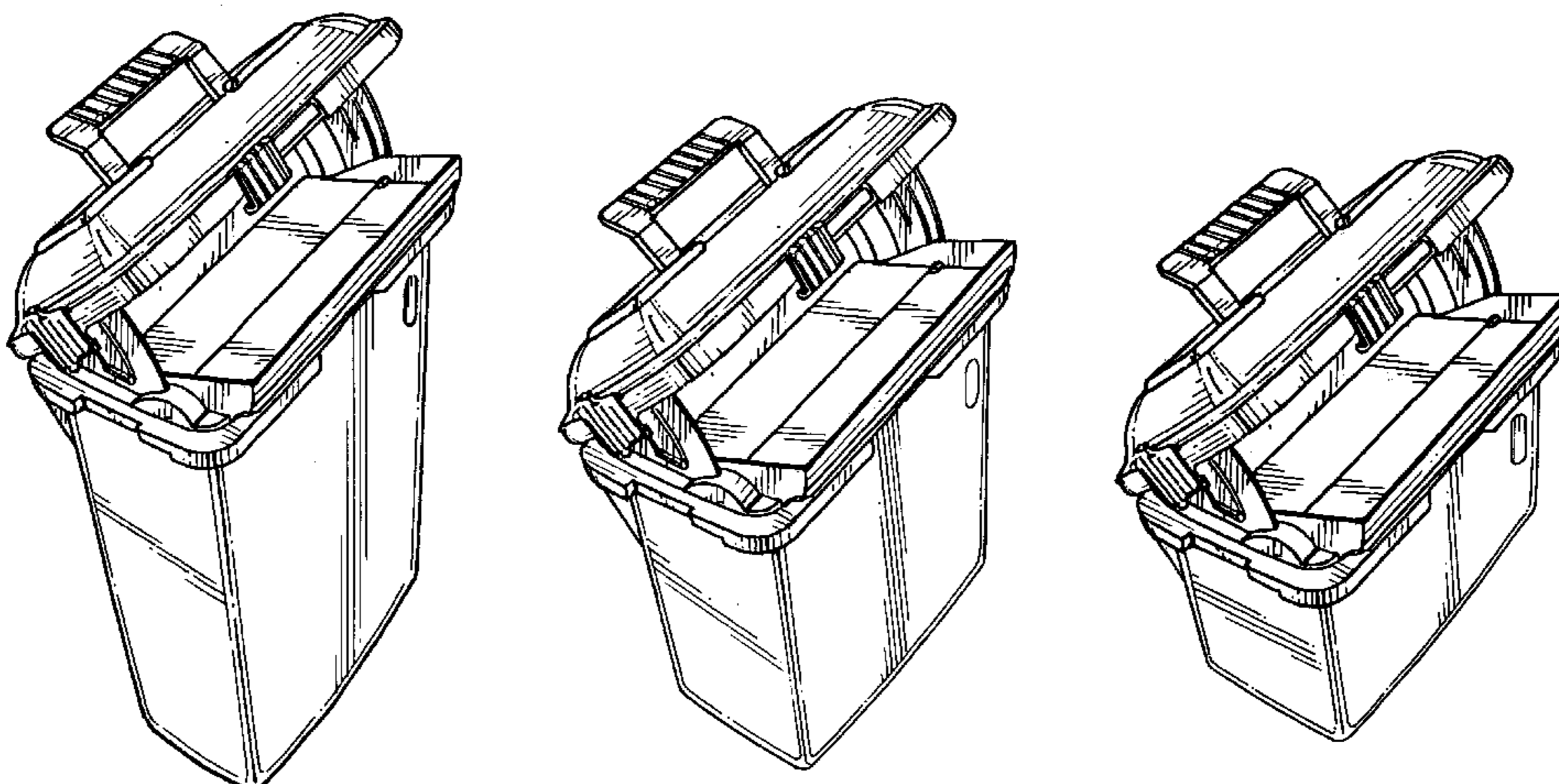
(57) **CLAIM**

The ornamental design for a set of sharps containers, as shown and described.

DESCRIPTION

FIG. 1 is a perspective view of a set of sharps containers showing our new design, shown in closed position; FIG. 2 is a perspective view thereof, shown in partly open position; FIG. 3 is a perspective view thereof, shown in fully open position; FIG. 4 is a front view thereof; FIG. 5 is a side view thereof; FIG. 6 is a rear view thereof; FIG. 7 is a top view thereof; FIG. 8 is a perspective view of a second embodiment of a set of sharps containers showing our new design, shown in closed position; FIG. 9 is a perspective view thereof, shown in partly open position; FIG. 10 is a perspective view thereof, shown in fully open position; FIG. 11 is a front view thereof; FIG. 12 is a side view thereof; FIG. 13 is a rear view thereof; FIG. 14 is a top plan view thereof; FIG. 15 is a perspective view of a third embodiment of a set of sharps containers showing our new design, shown in closed position; FIG. 16 is a perspective view thereof, shown in partly open position; FIG. 17 is a perspective view thereof, shown in fully open position; FIG. 18 is a front view thereof; FIG. 19 is a side view thereof; FIG. 20 is a rear view thereof; and, FIG. 21 is a top plan view thereof.

1 Claim, 6 Drawing Sheets



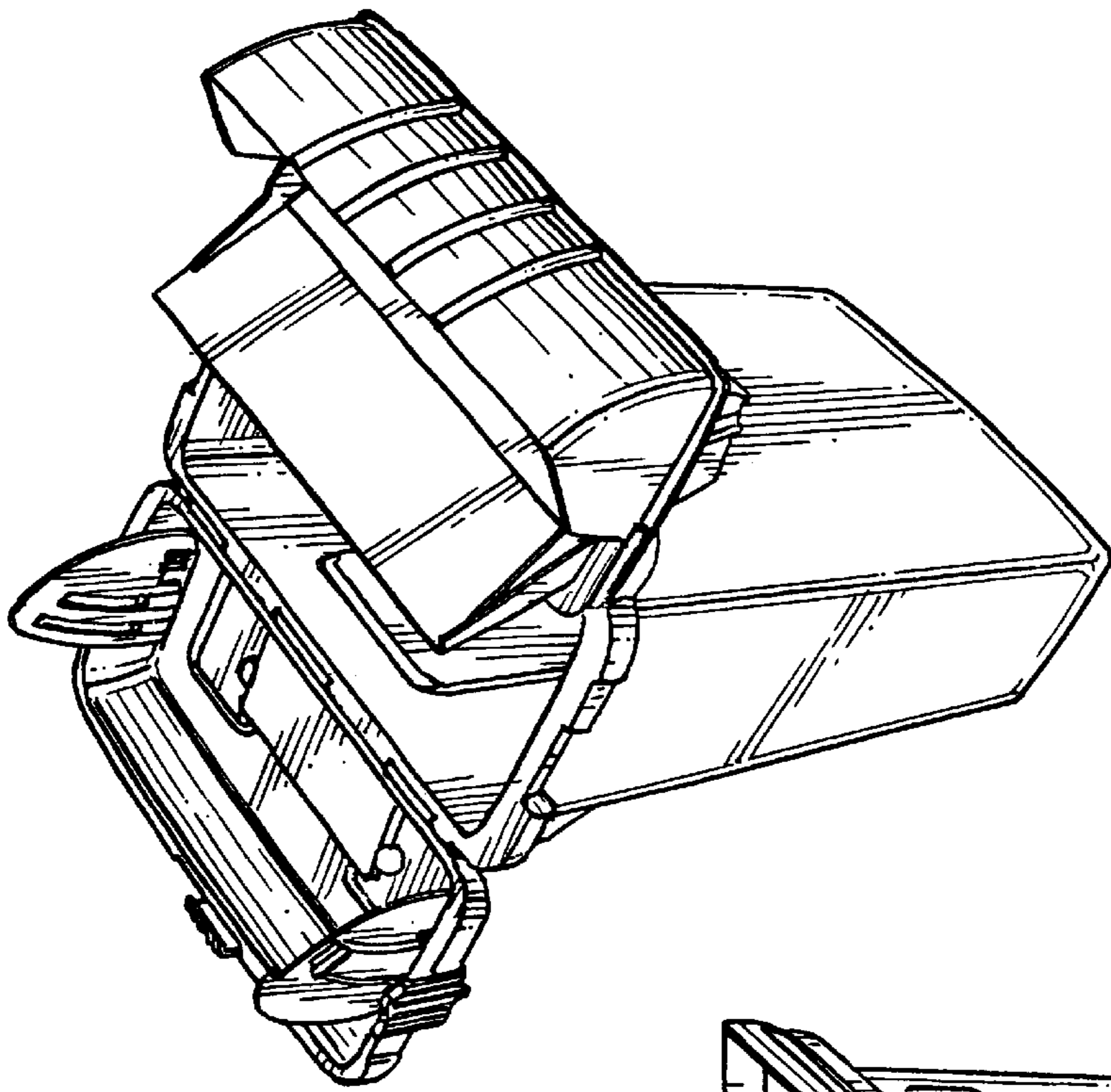


FIG 3

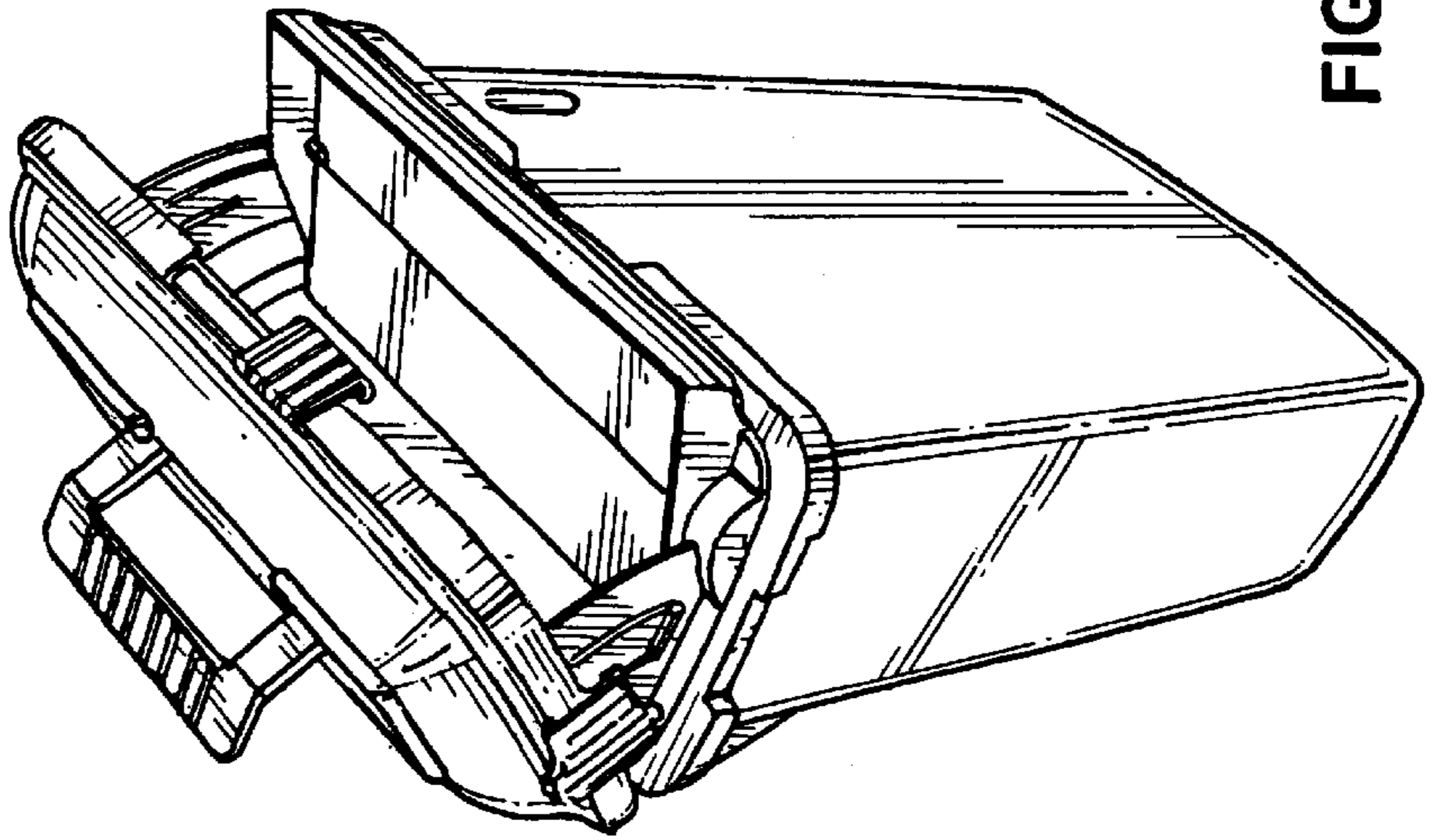


FIG 2

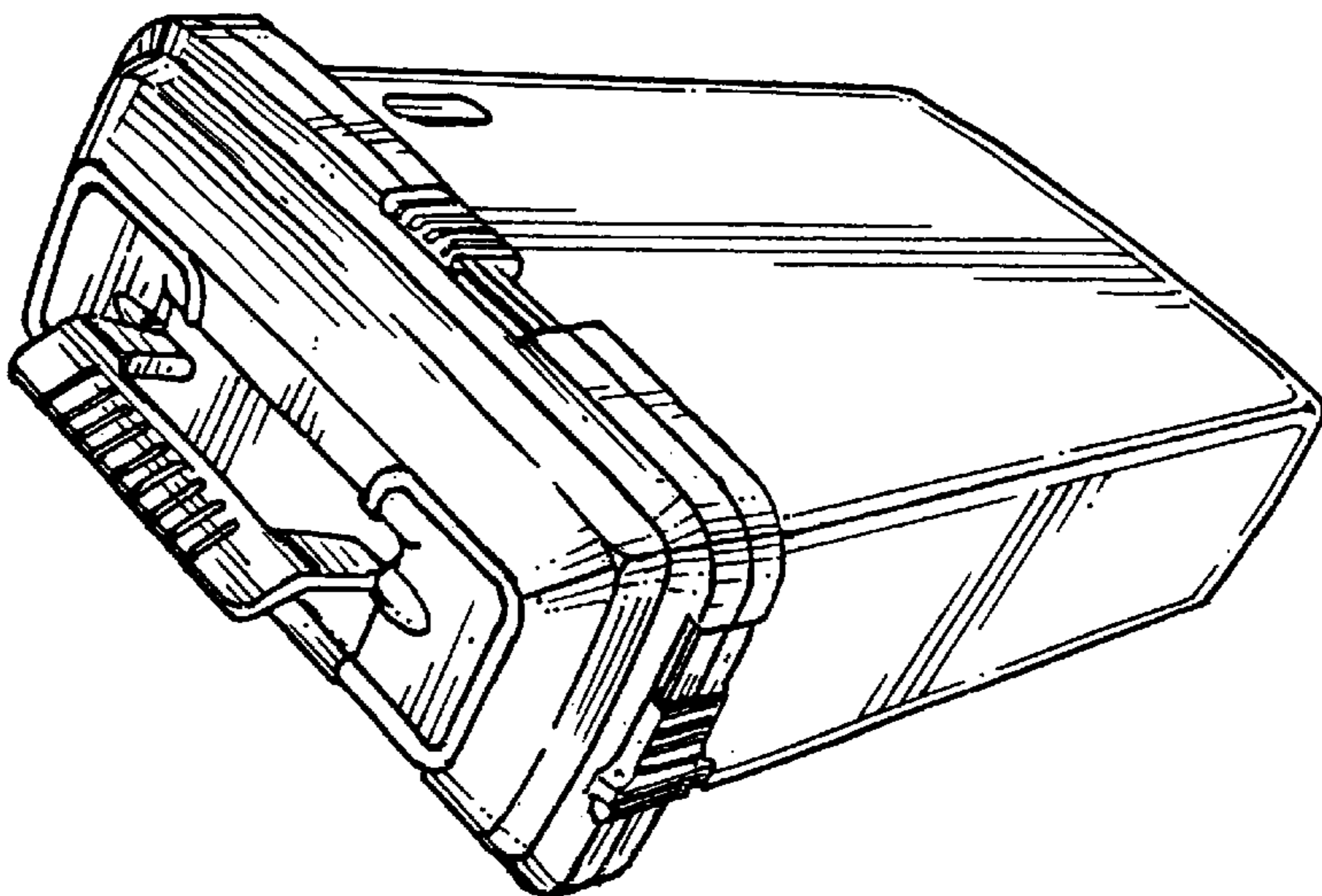


FIG 1

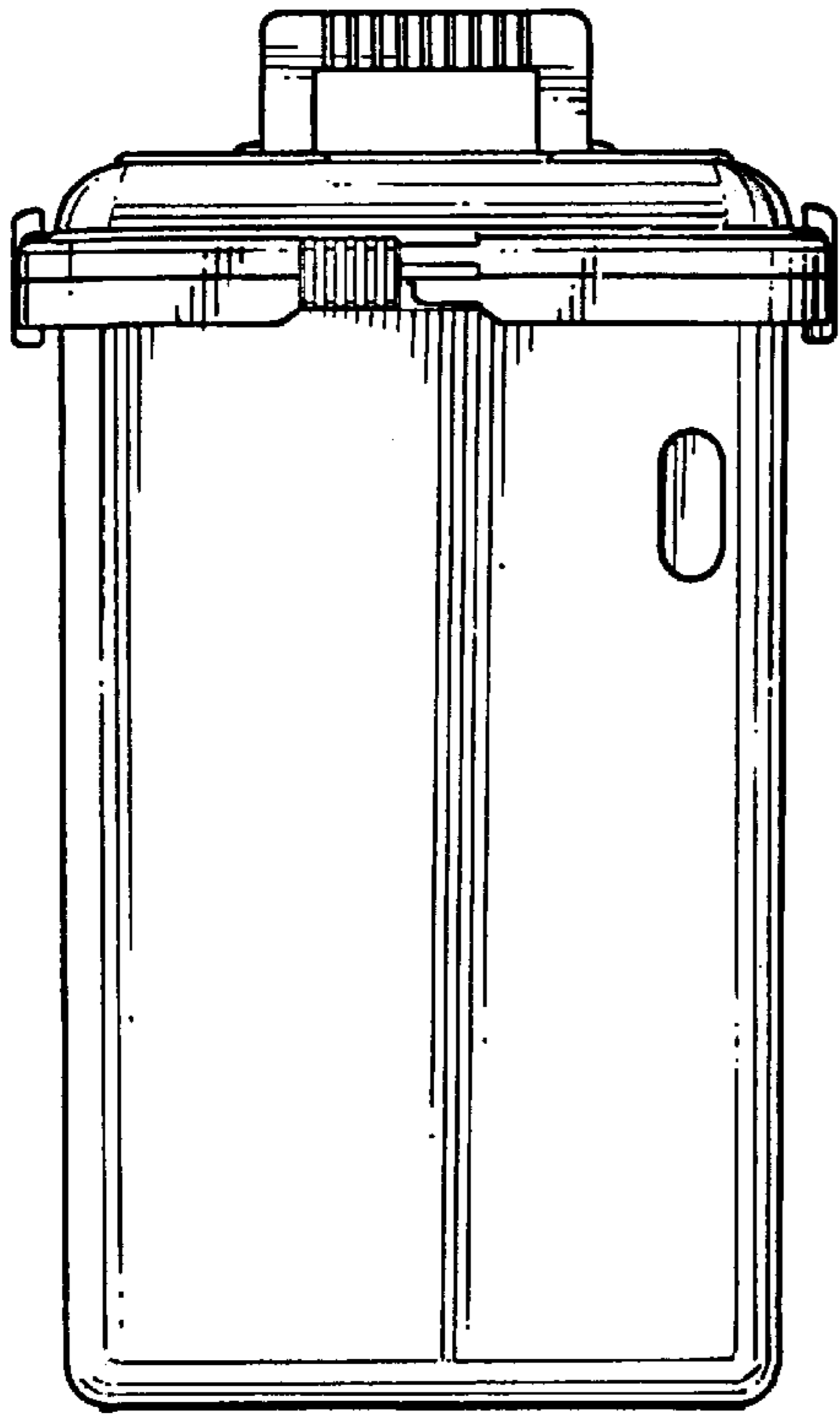


FIG 4

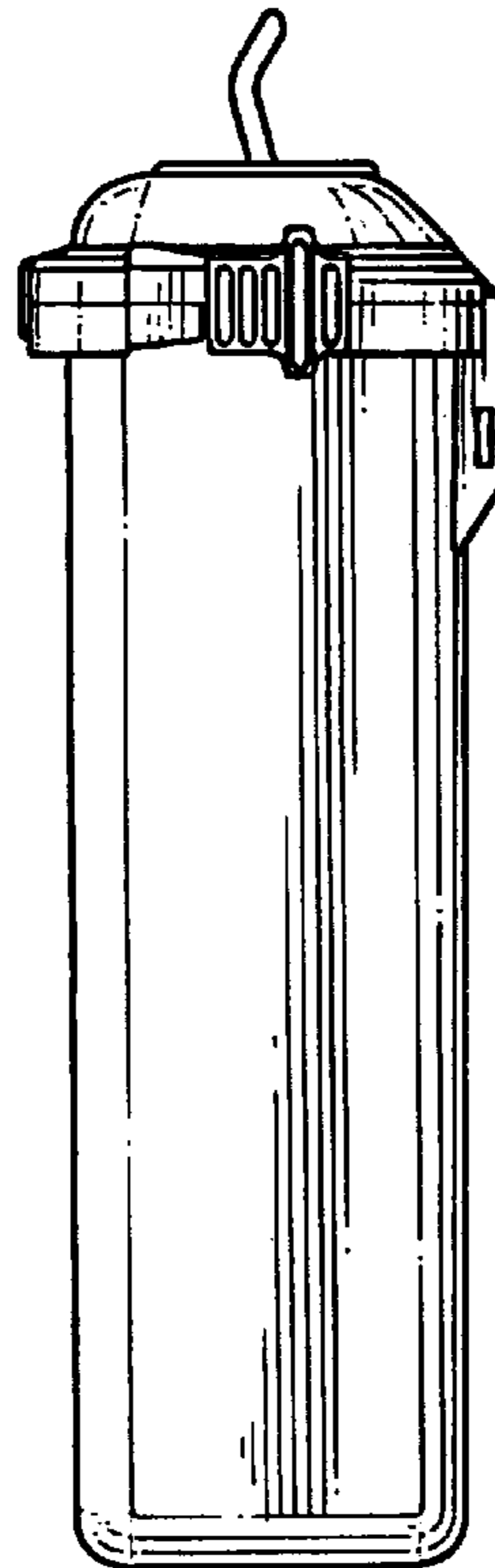


FIG 5

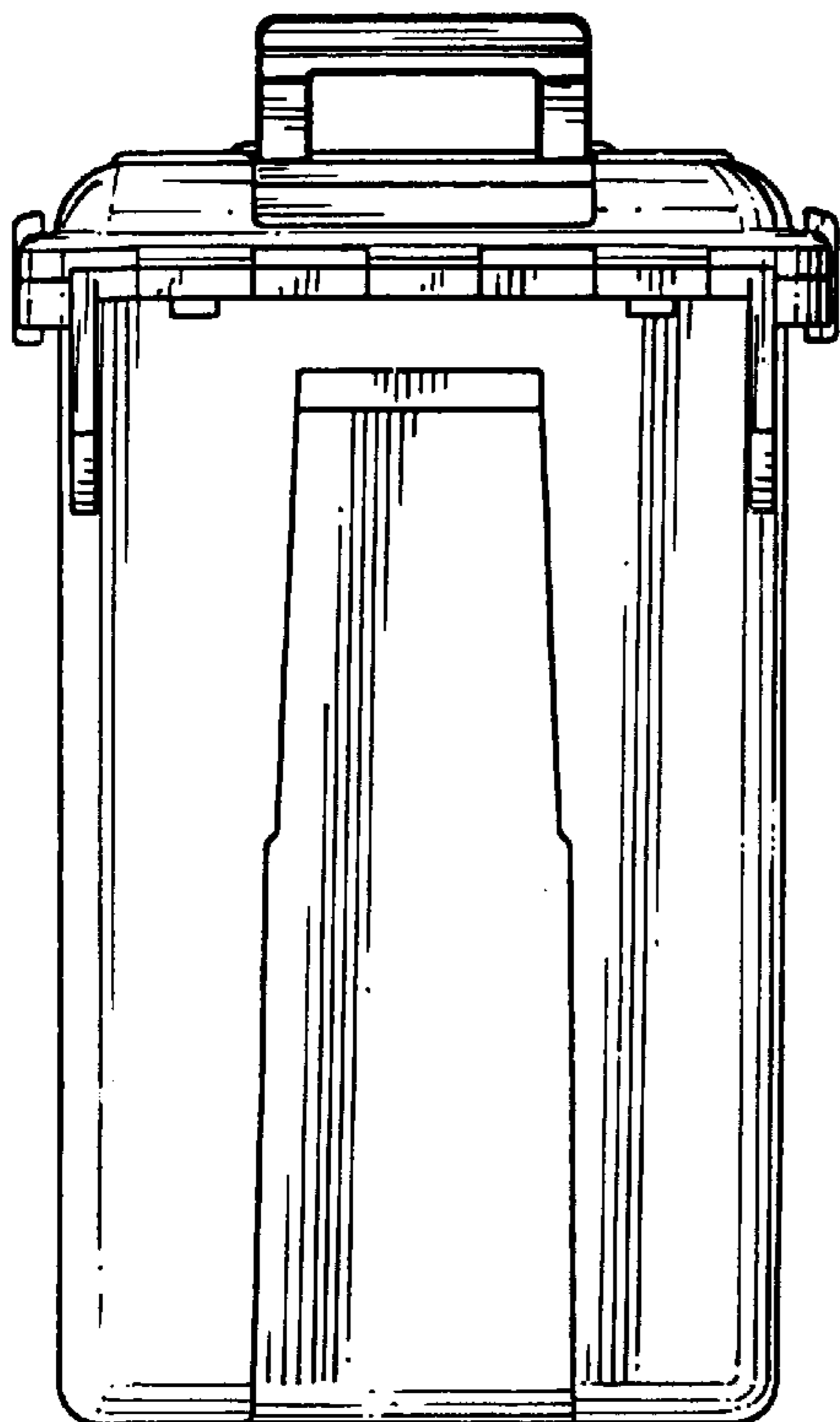


FIG 6

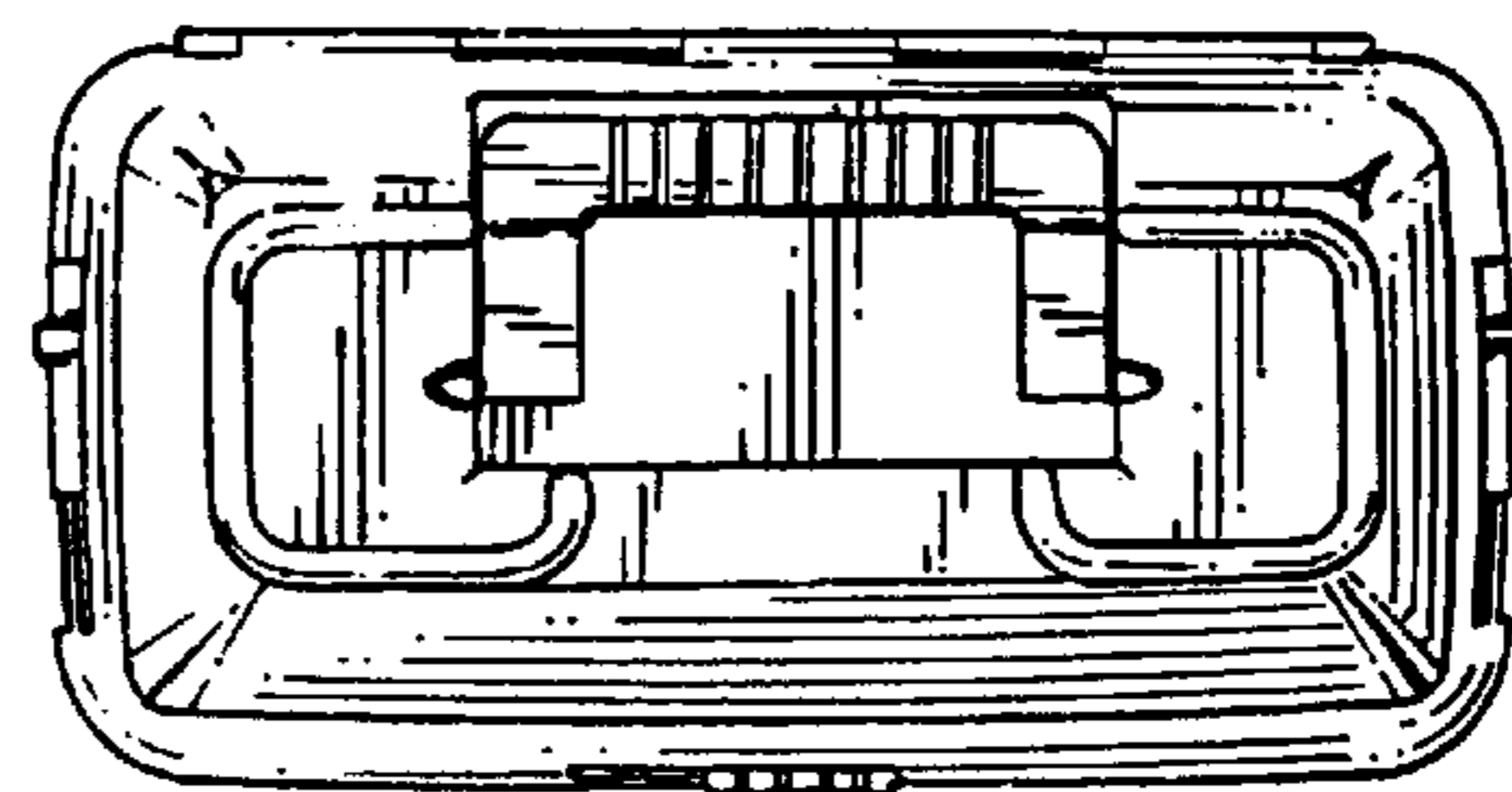


FIG 7

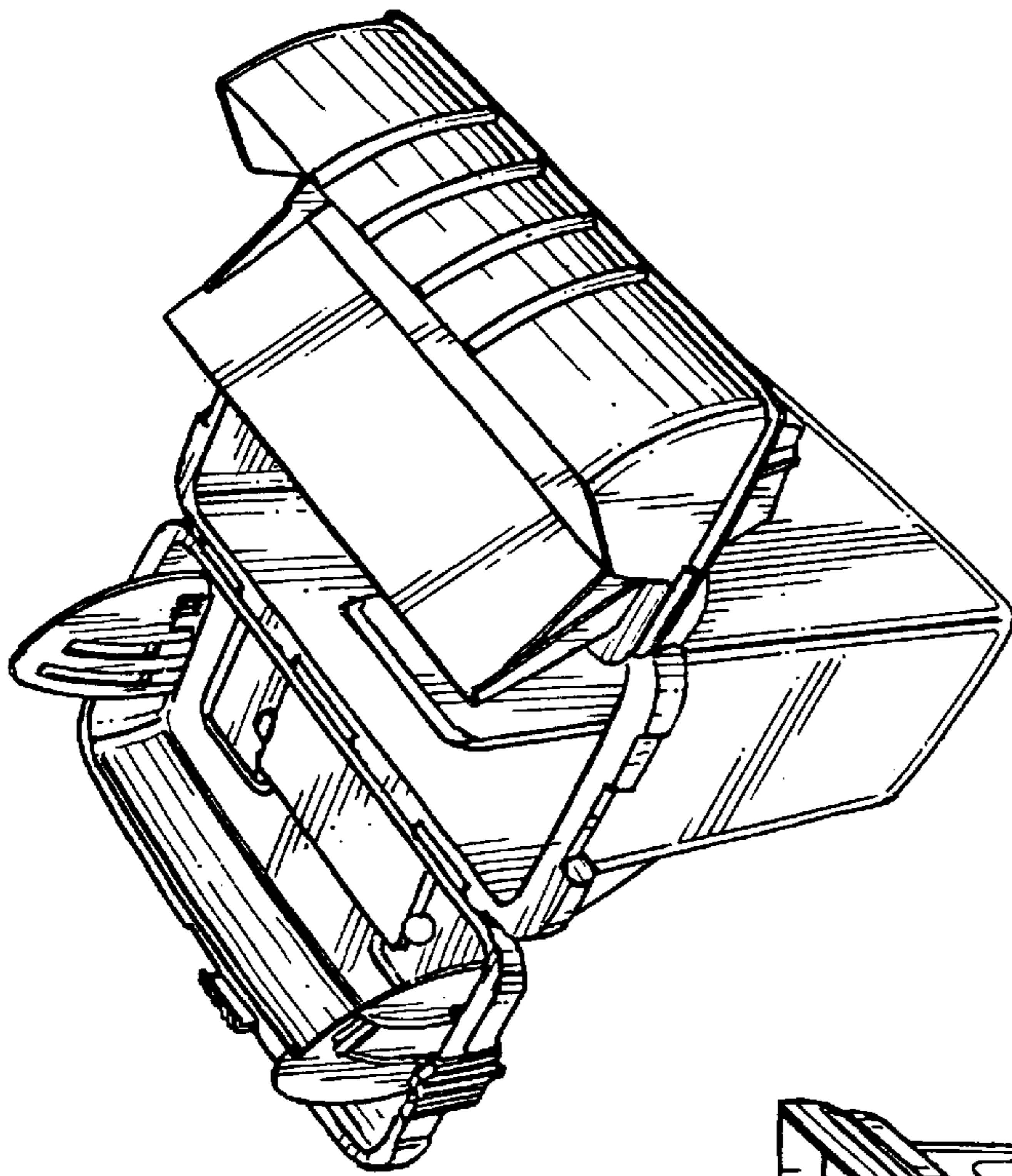


FIG 10

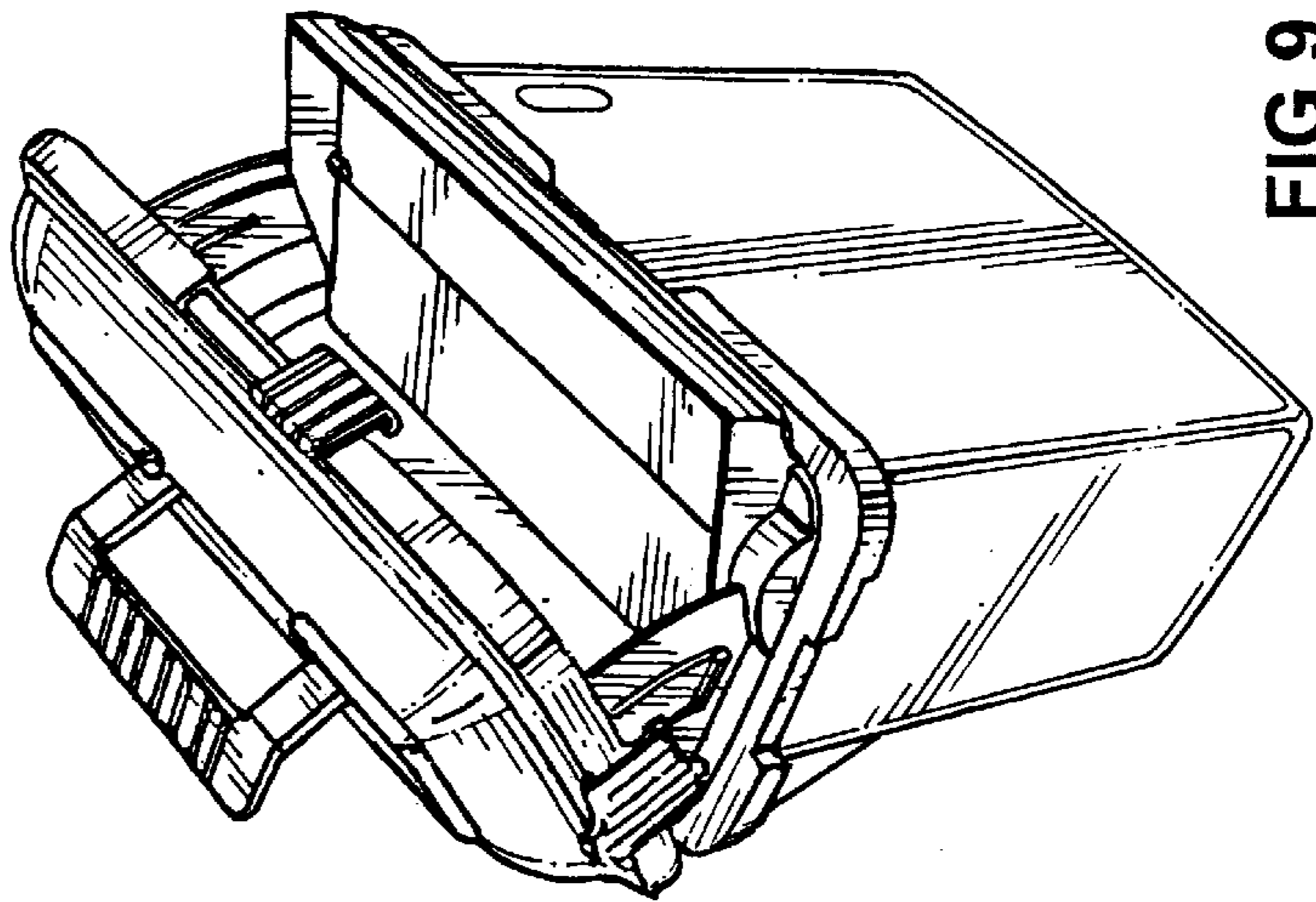


FIG 9

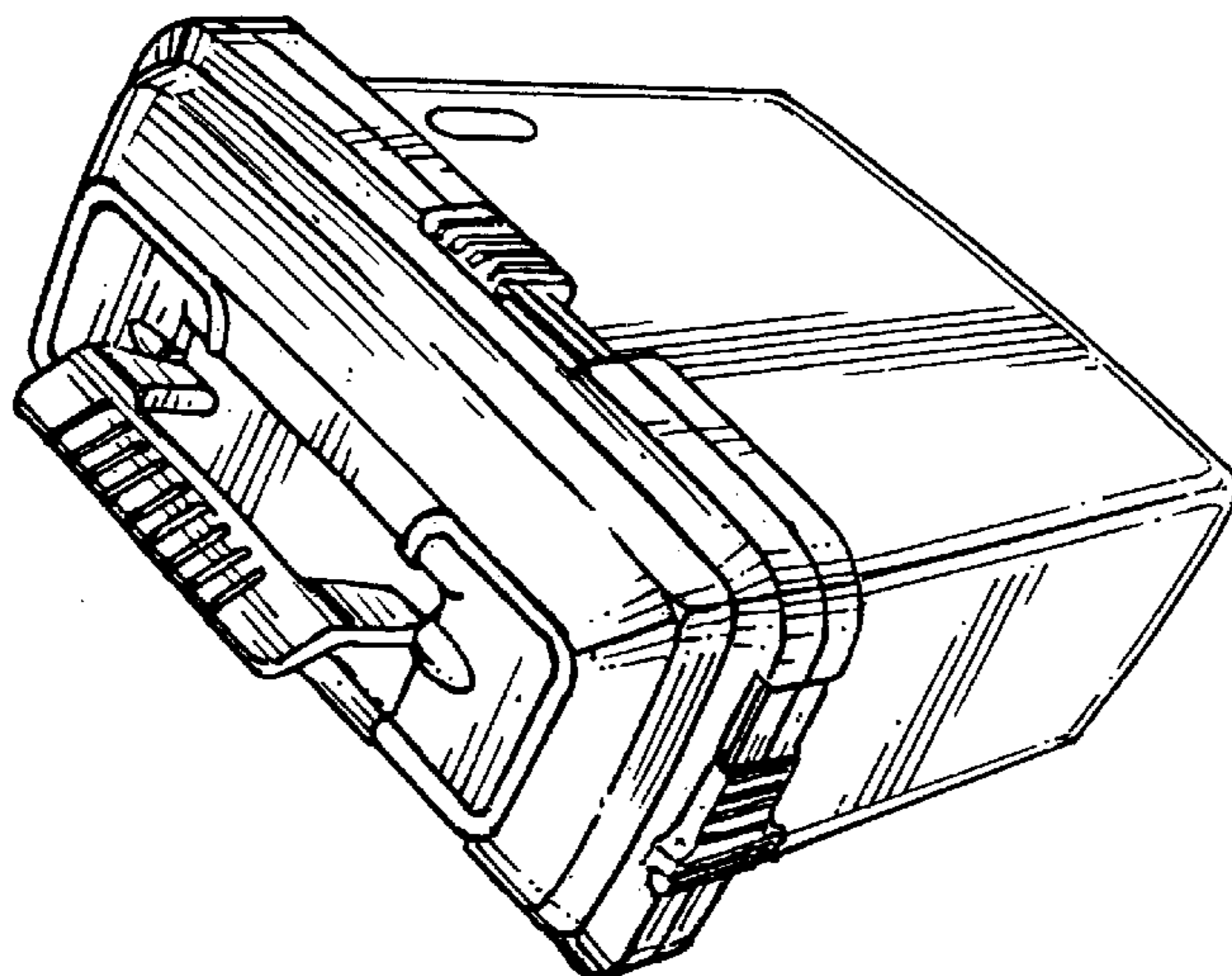


FIG 8

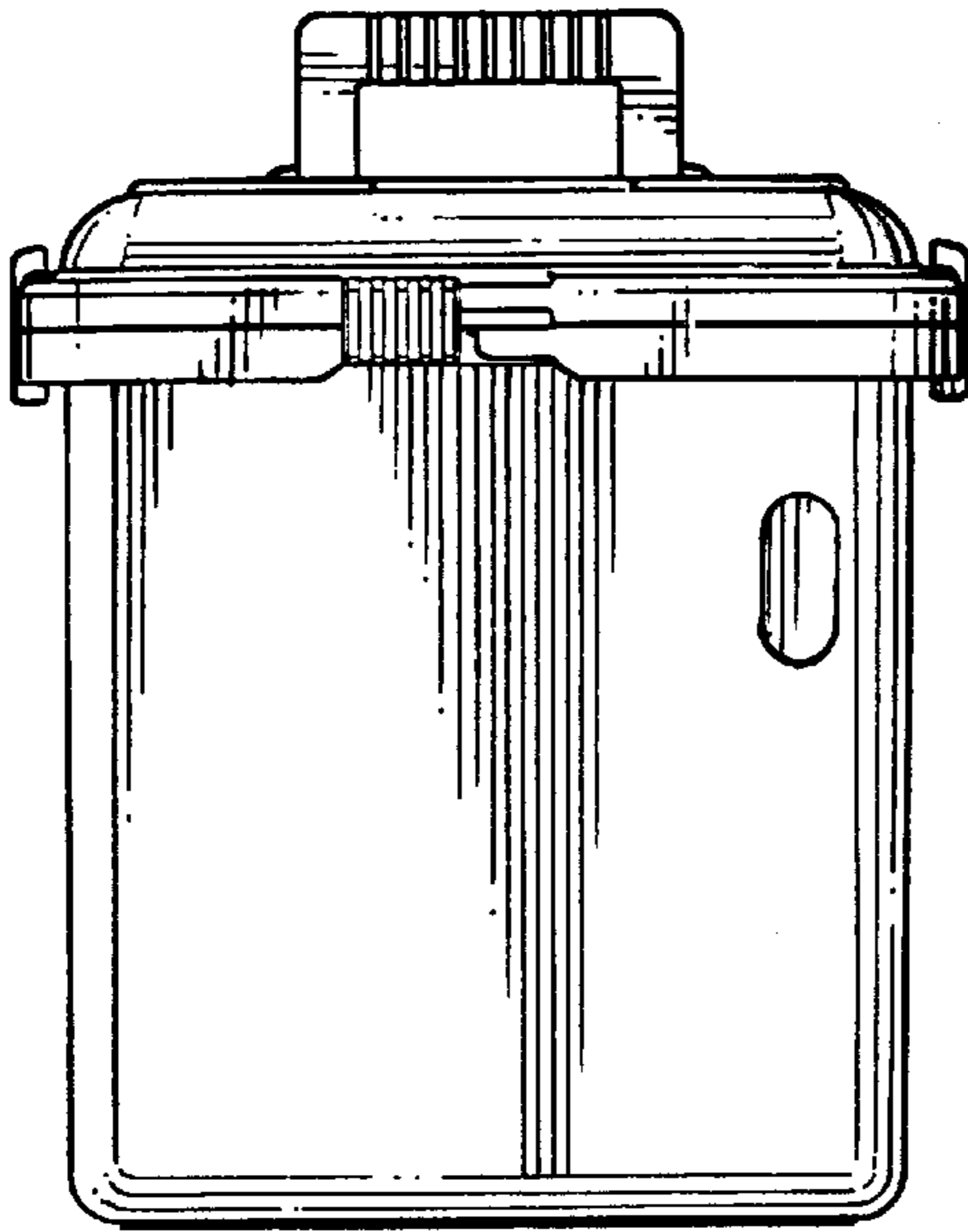


FIG 11

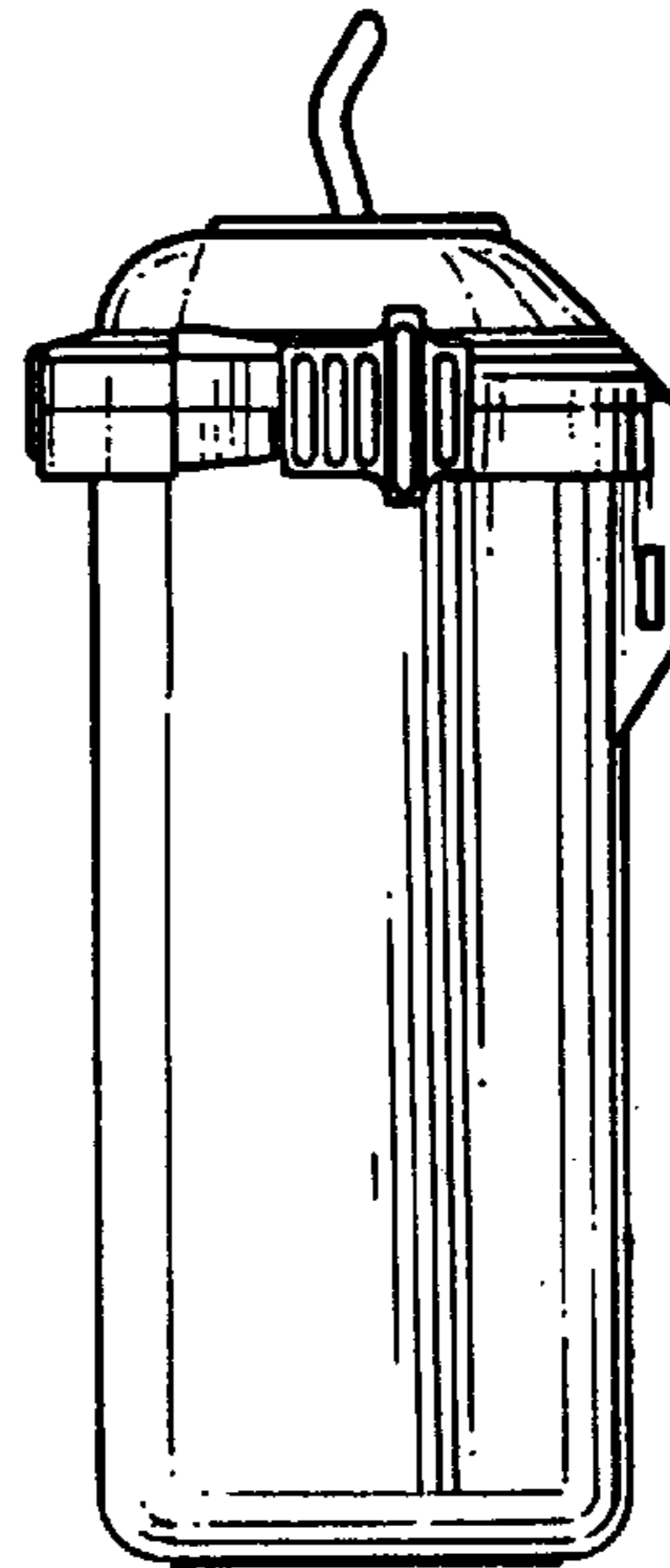


FIG 12

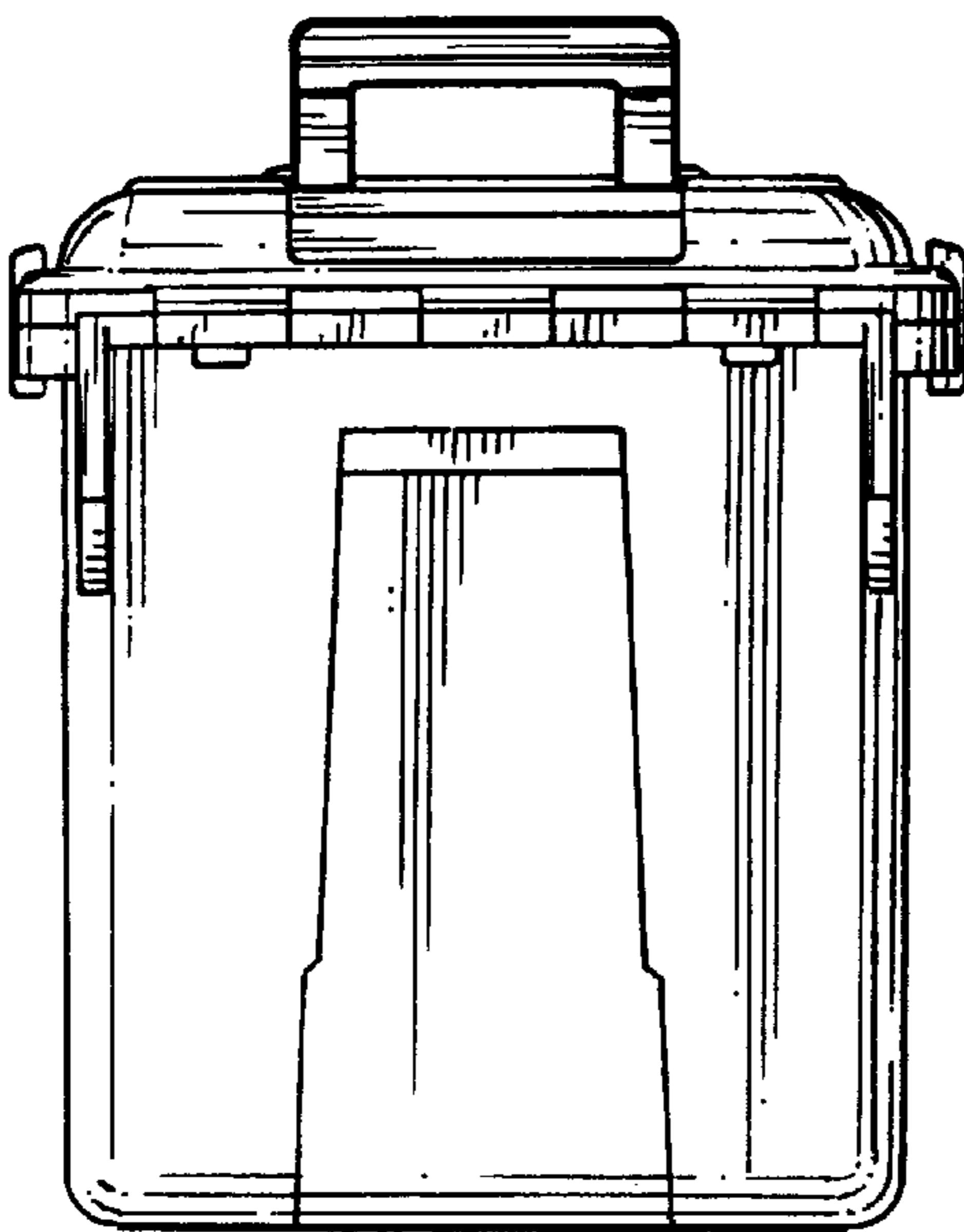


FIG 13

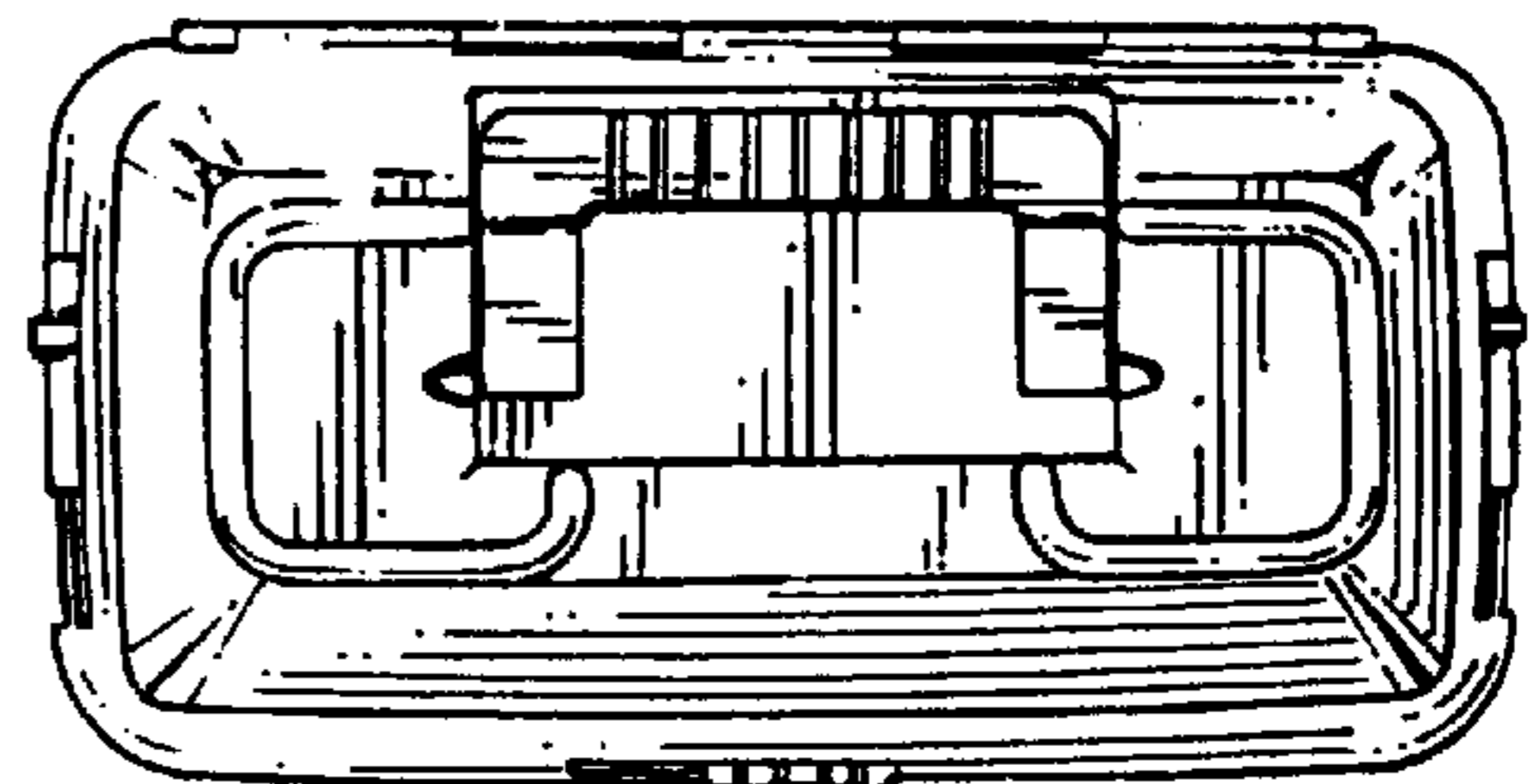


FIG 14

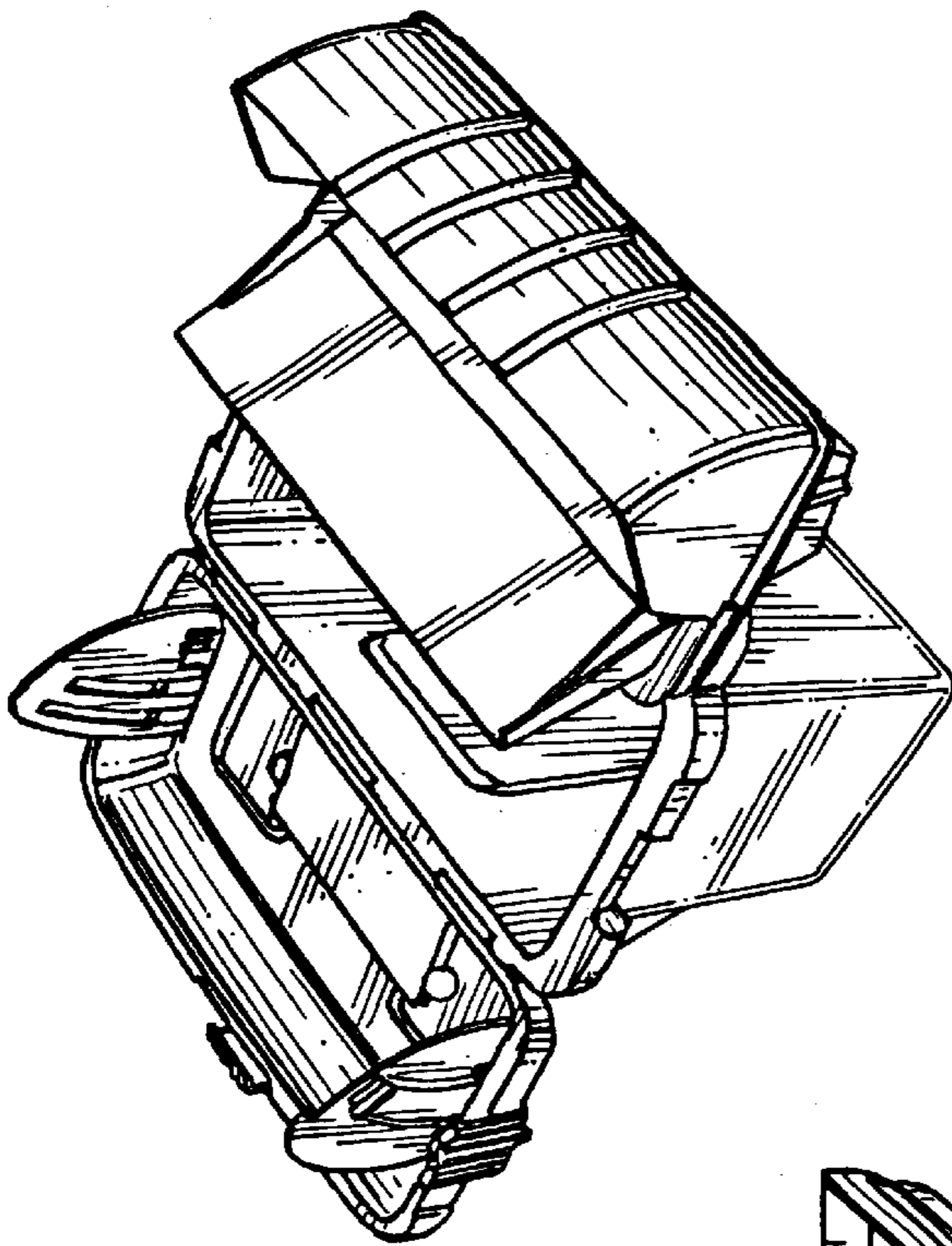


FIG 17

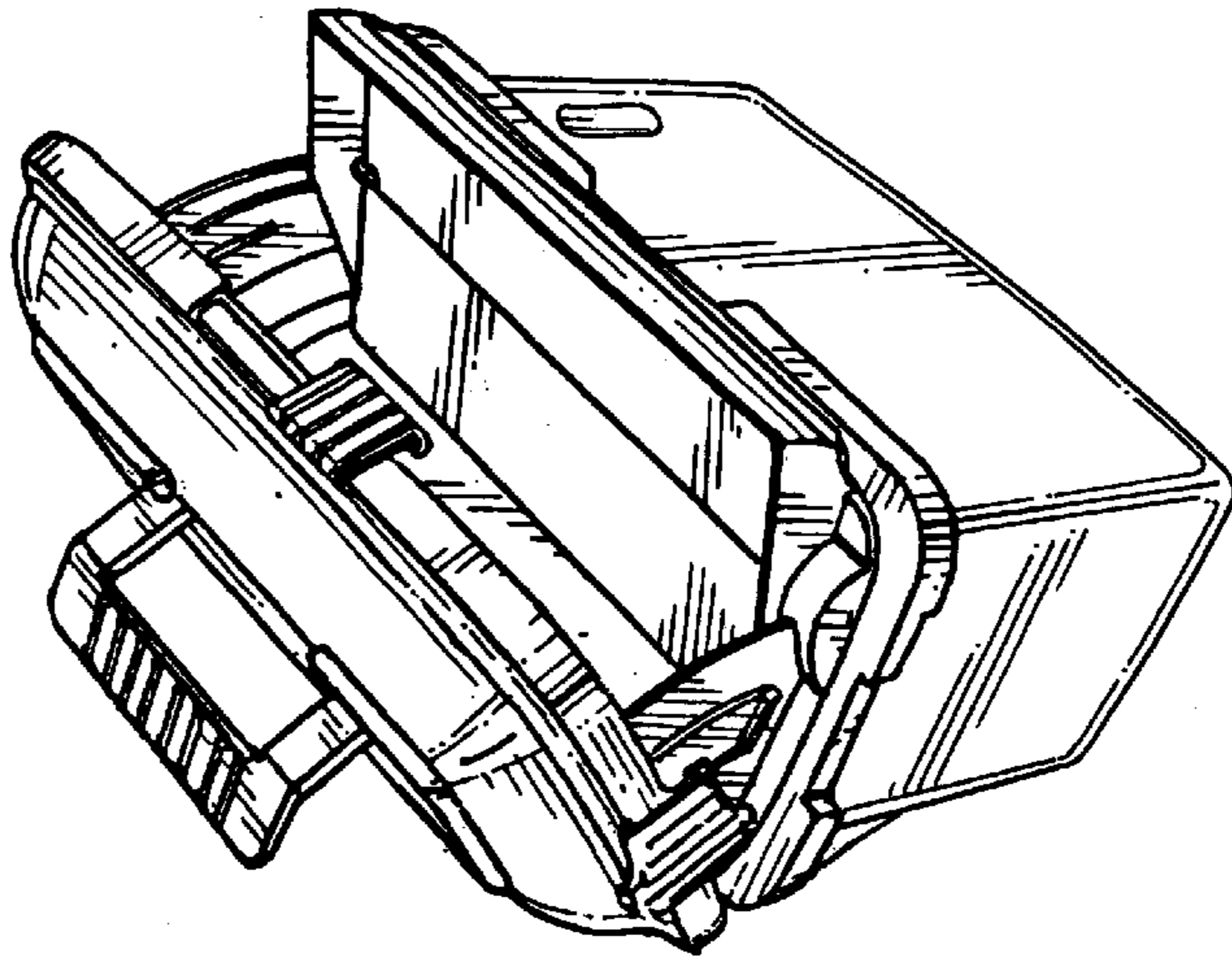


FIG 16

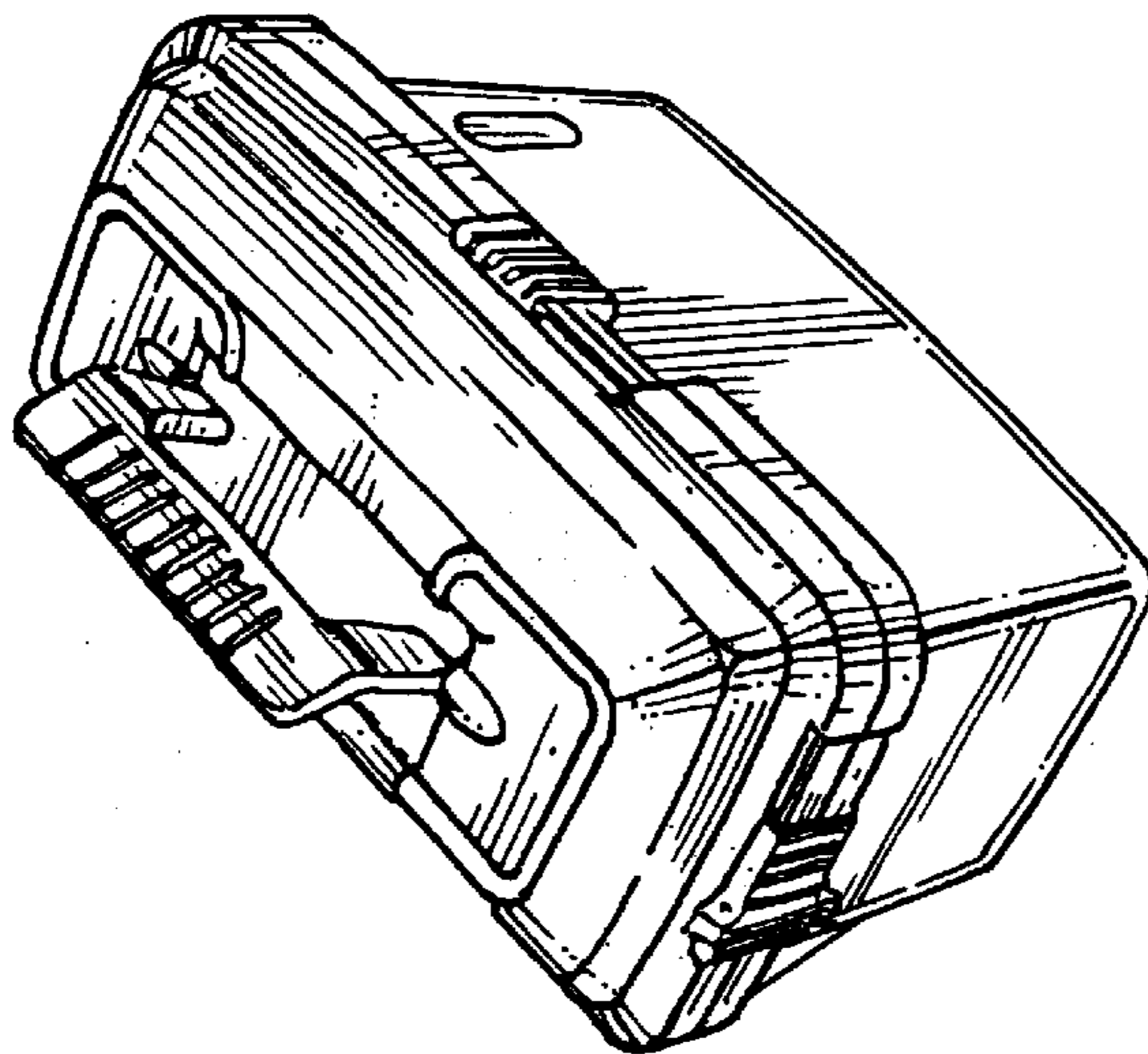


FIG 15

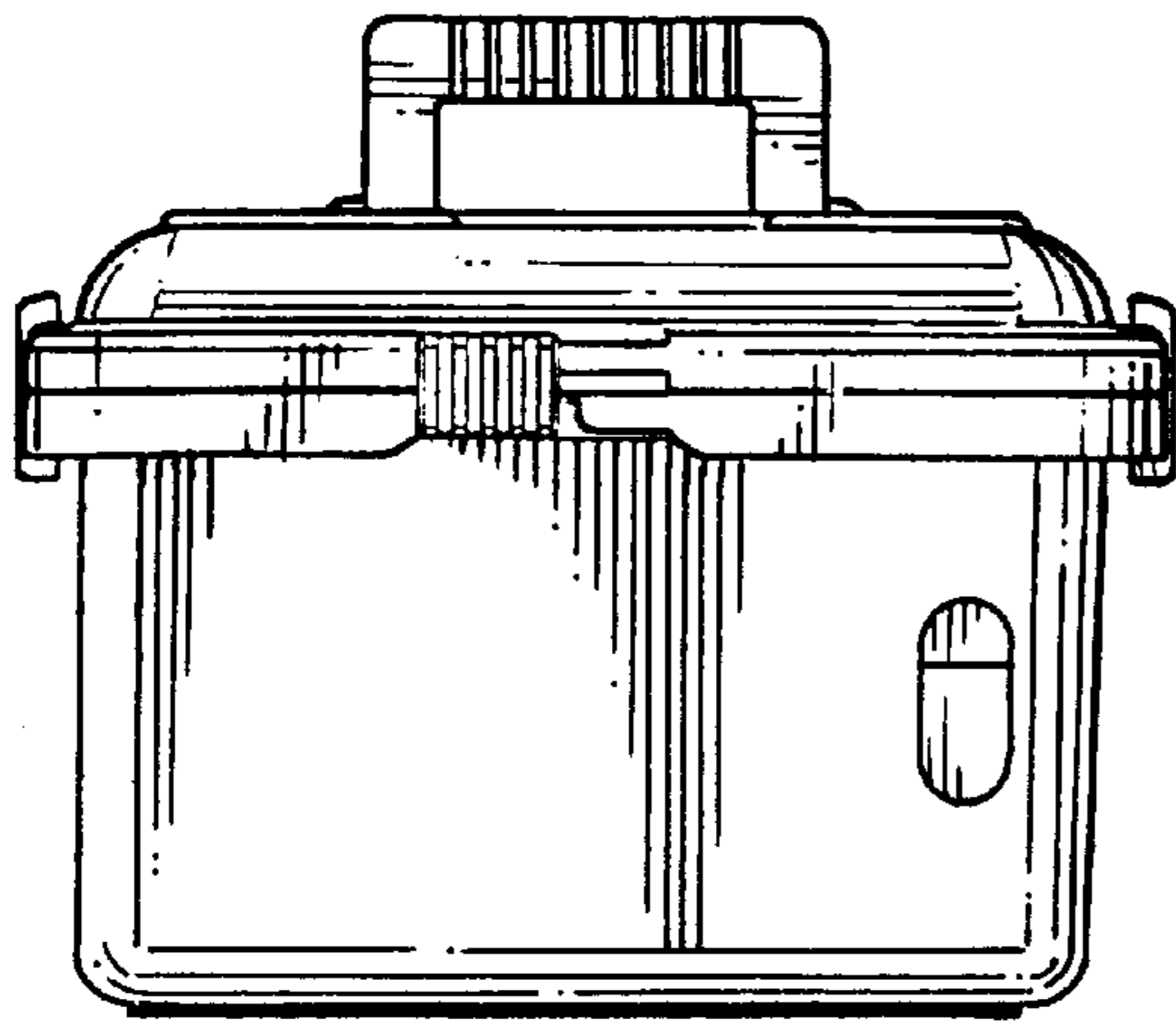


FIG 18

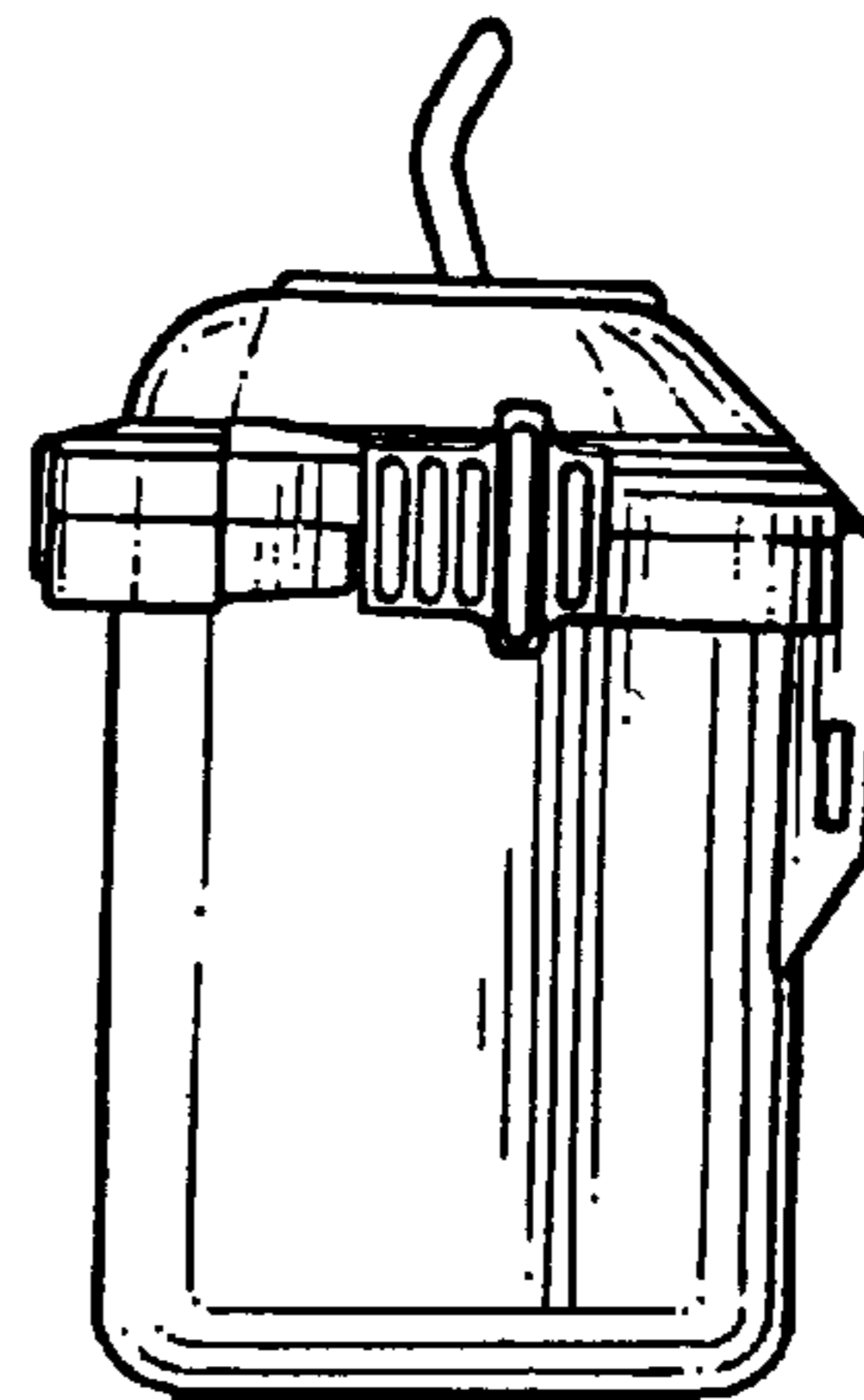


FIG 19

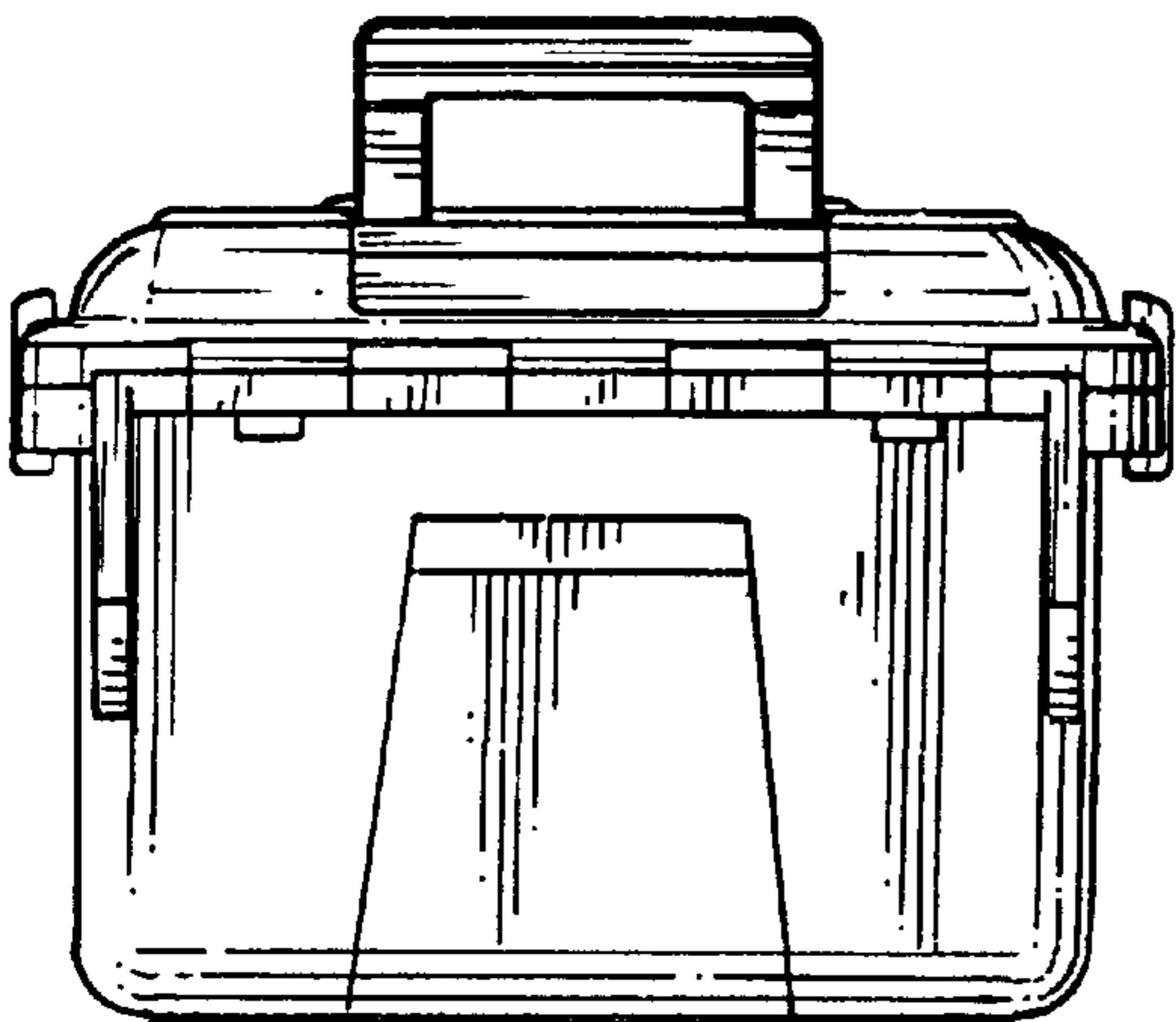


FIG 20

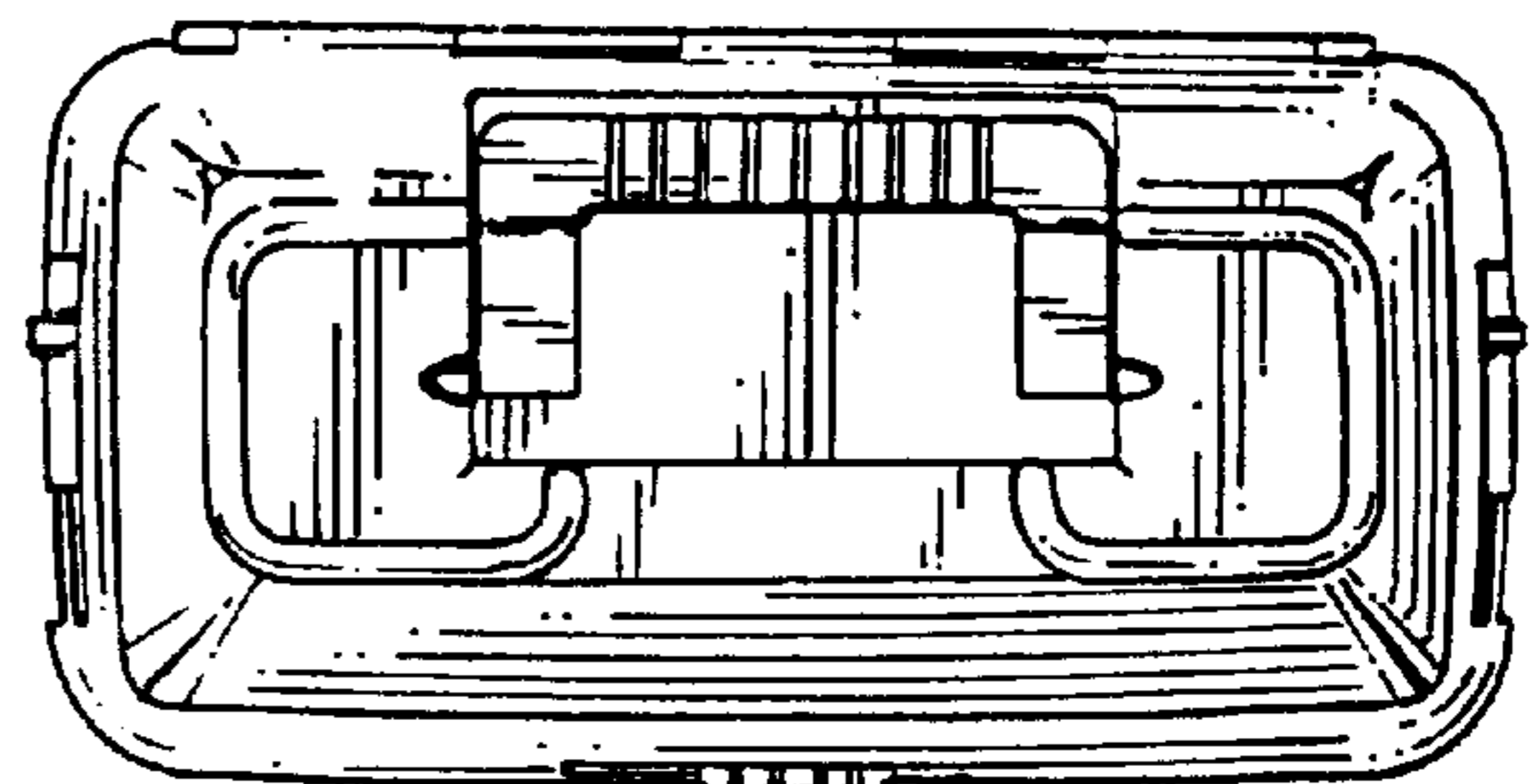


FIG 21