



US00D451189B1

(12) **United States Design Patent**
Liu

(10) **Patent No.:** **US D451,189 S**

(45) **Date of Patent:** **** Nov. 27, 2001**

(54) **COMBINED CEILING FAN MOTOR HOUSING AND BRACKETS UNIT**

Primary Examiner—Lisa Lichtenstein
(74) *Attorney, Agent, or Firm*—Charles E. Baxley

(75) **Inventor:** **Ching-Wen Liu, Feng-Yuan (TW)**

(57) **CLAIM**

(73) **Assignee:** **Pan Air Electric Co., Ltd (TW)**

The ornamental design for a combined ceiling fan motor housing and brackets unit, as shown and described.

(**) **Term:** **14 Years**

(21) **Appl. No.:** **29/140,254**

DESCRIPTION

(22) **Filed:** **Apr. 16, 2001**

FIG. 1 is a perspective view of a combined ceiling fan motor housing and brackets unit showing my new design;

(51) **LOC (7) Cl.** **23-04**

FIG. 2 is a front elevational view thereof;

(52) **U.S. Cl.** **D23/411; D23/377**

FIG. 3 is a rear front elevational view thereof;

(58) **Field of Search** **D22/377, 379, D22/385, 411; 416/5**

FIG. 4 is a left side elevational view thereof;

FIG. 5 is a right side elevational view thereof;

(56) **References Cited**

U.S. PATENT DOCUMENTS

D. 314,618 * 2/1991 Yen D23/377

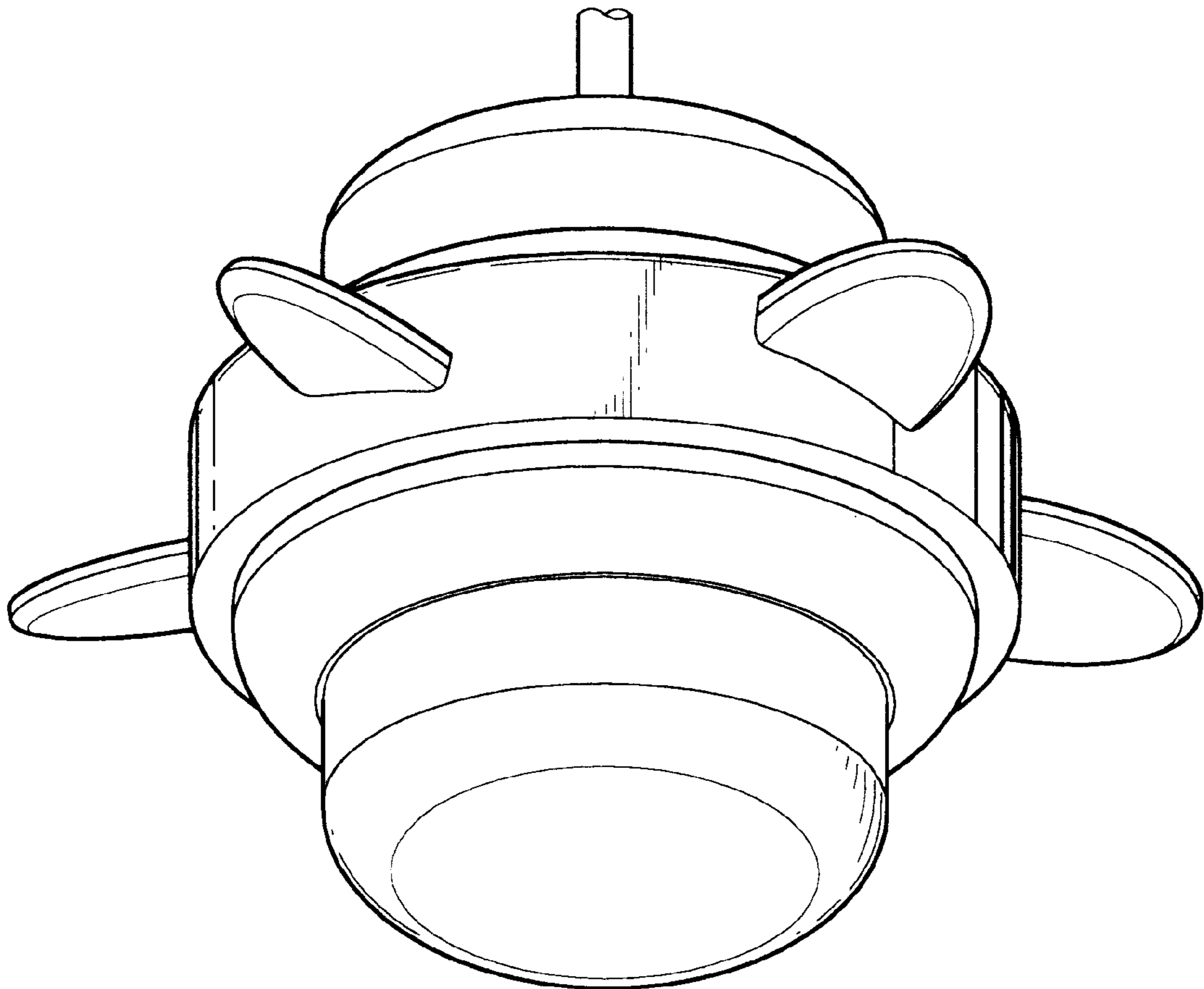
D. 328,639 * 8/1992 Hsieh D23/377

FIG. 6 is a top plan view thereof; and,

FIG. 7 is a bottom plan view thereof.

* cited by examiner

1 Claim, 7 Drawing Sheets



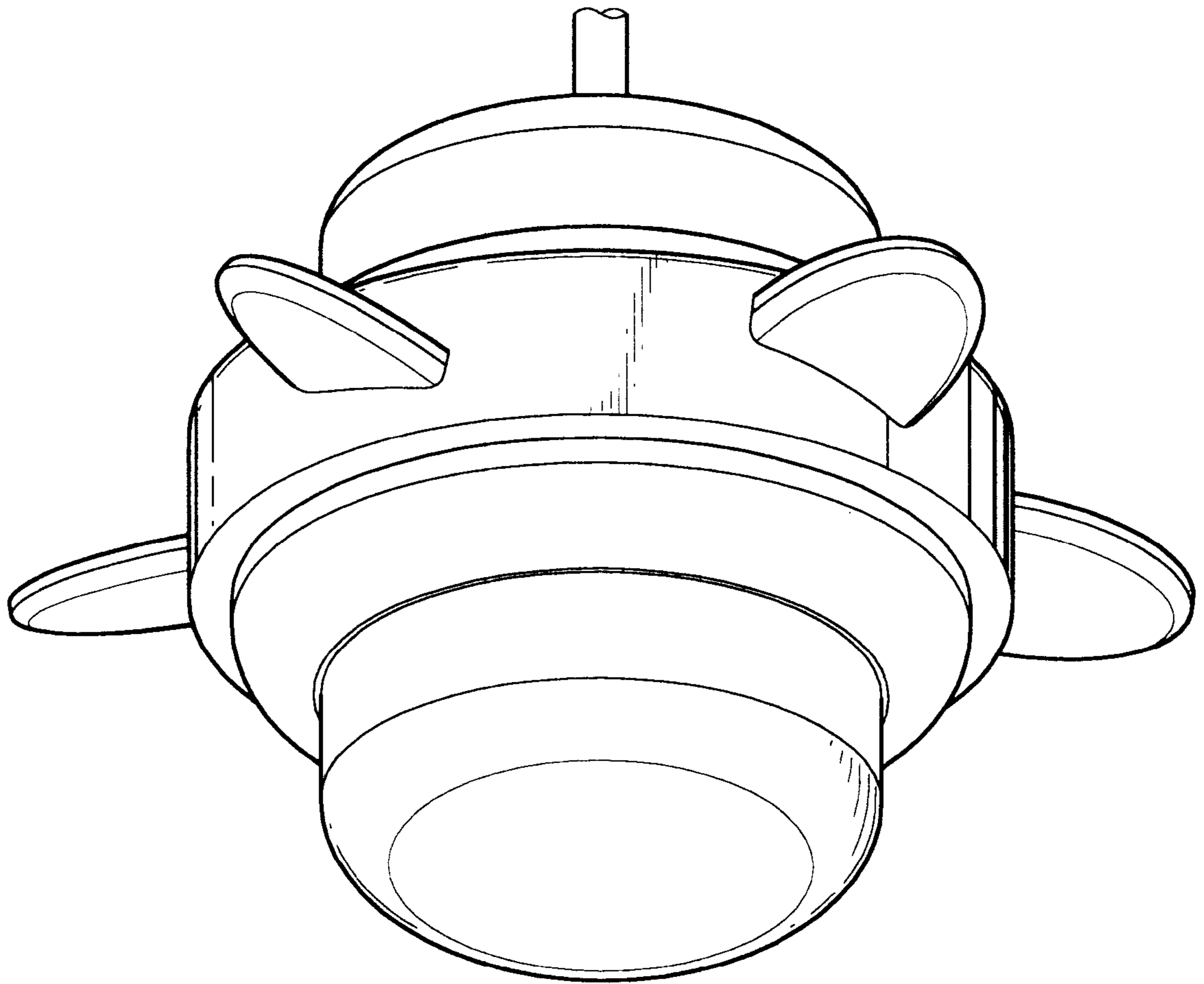


FIG. 1

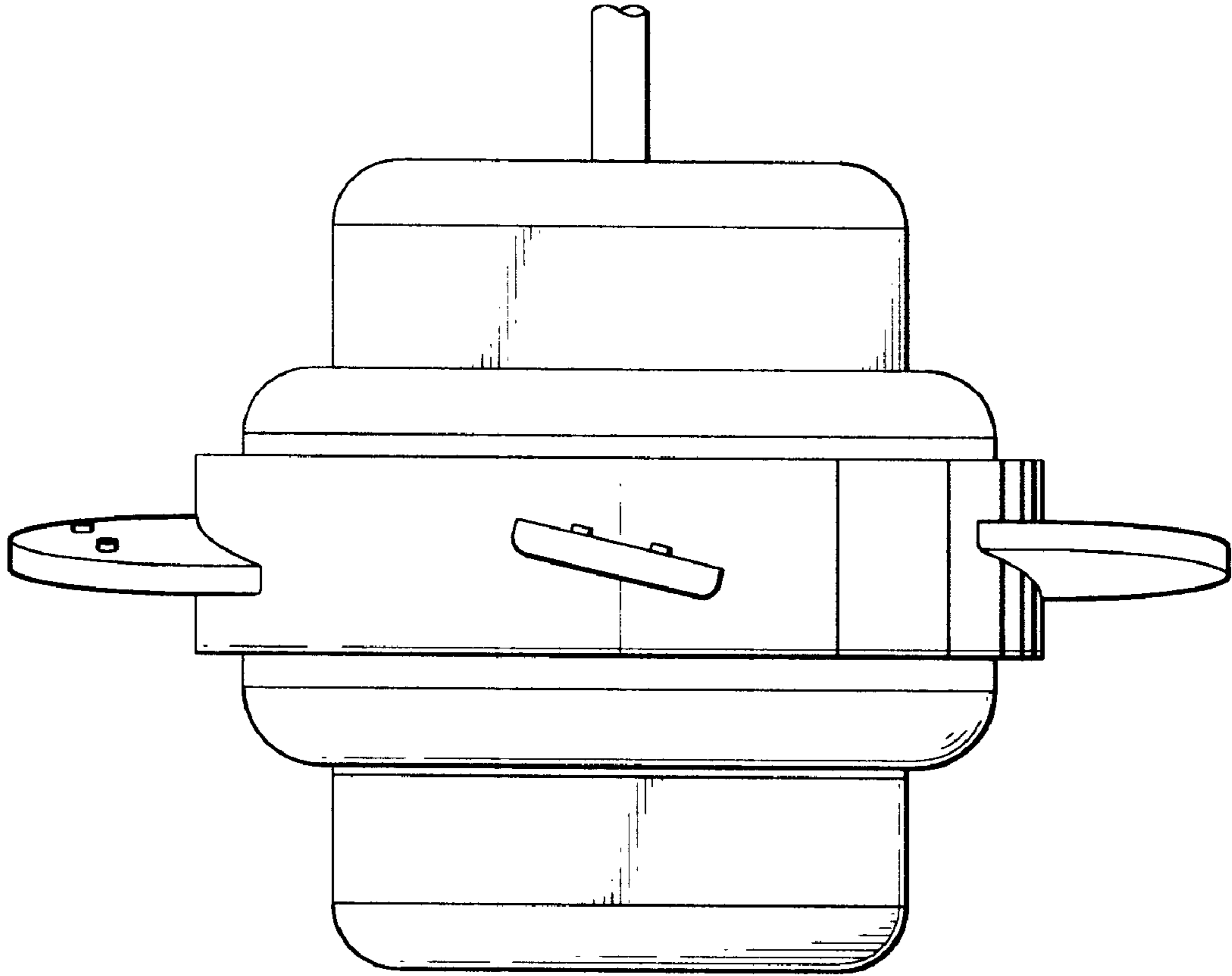
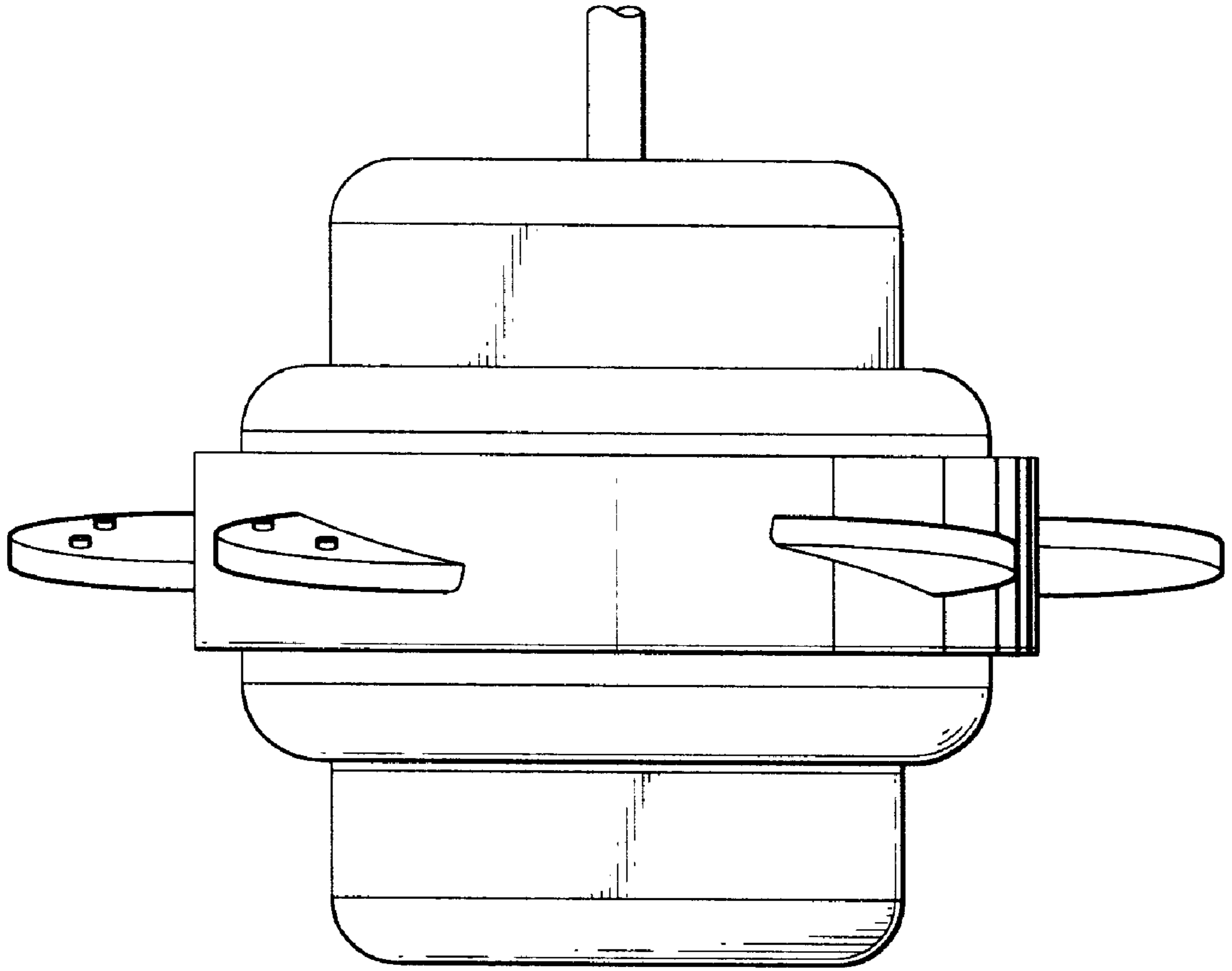


FIG. 2



F I G. 3

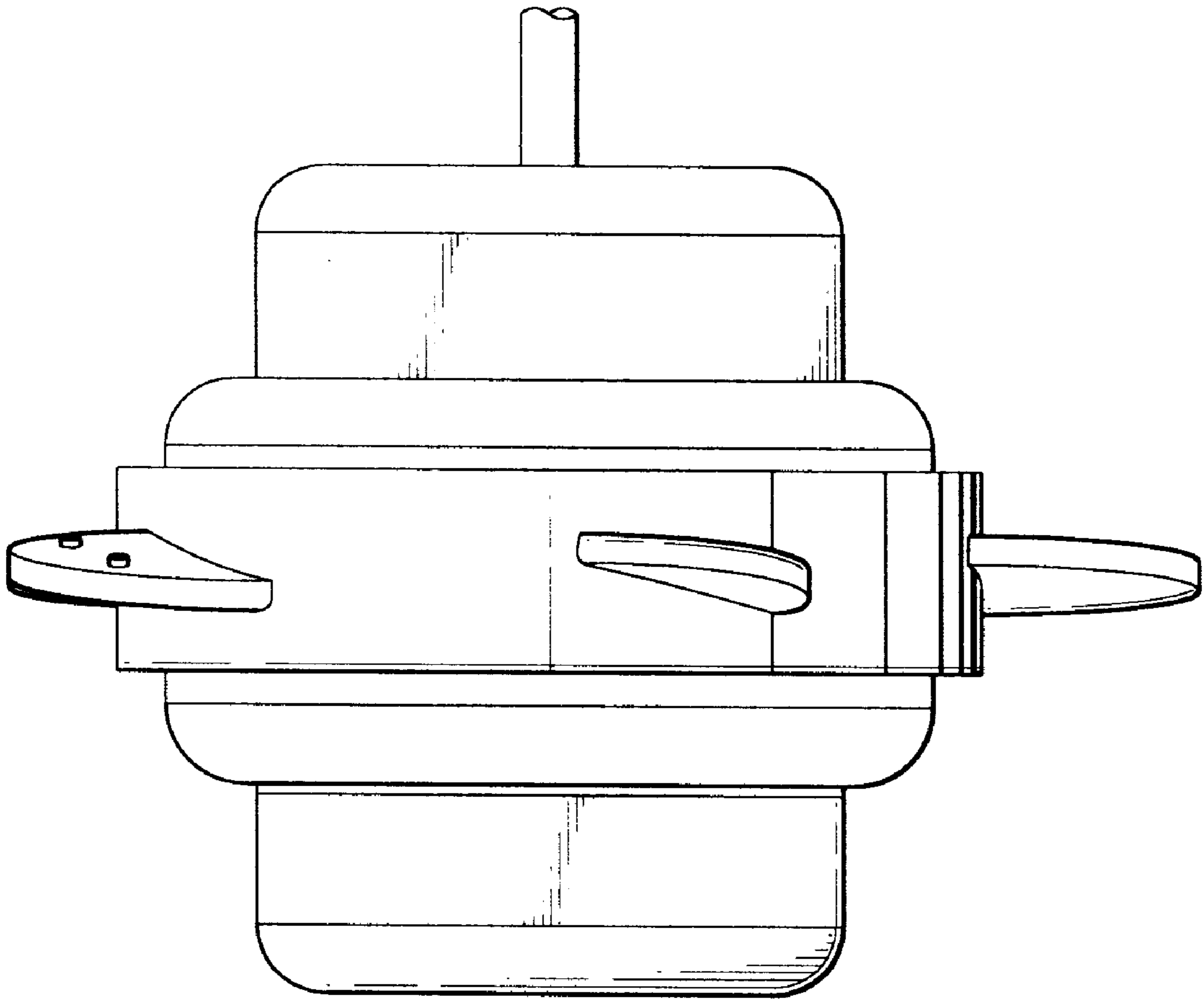


FIG. 4

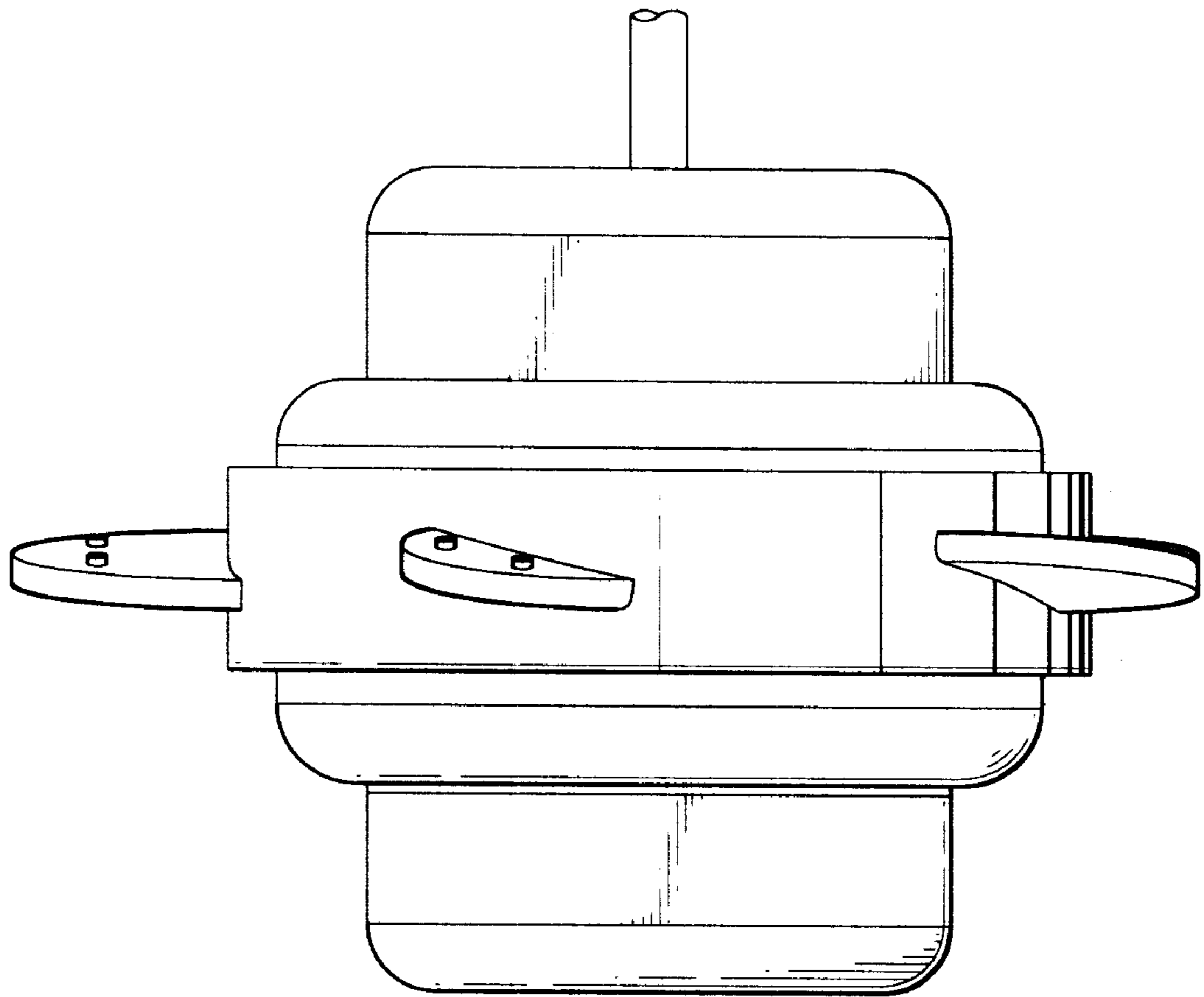


FIG. 5

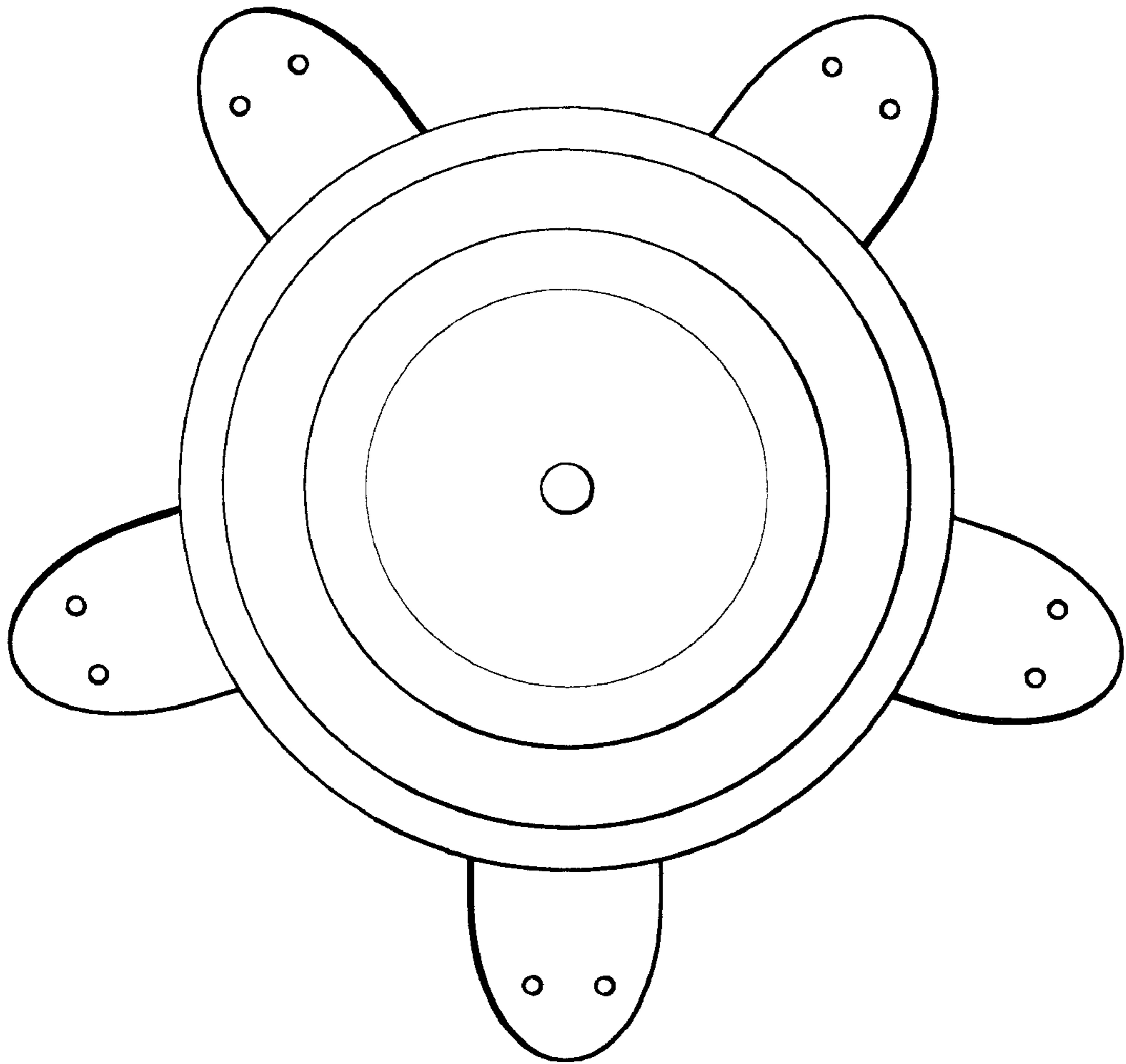


FIG. 6

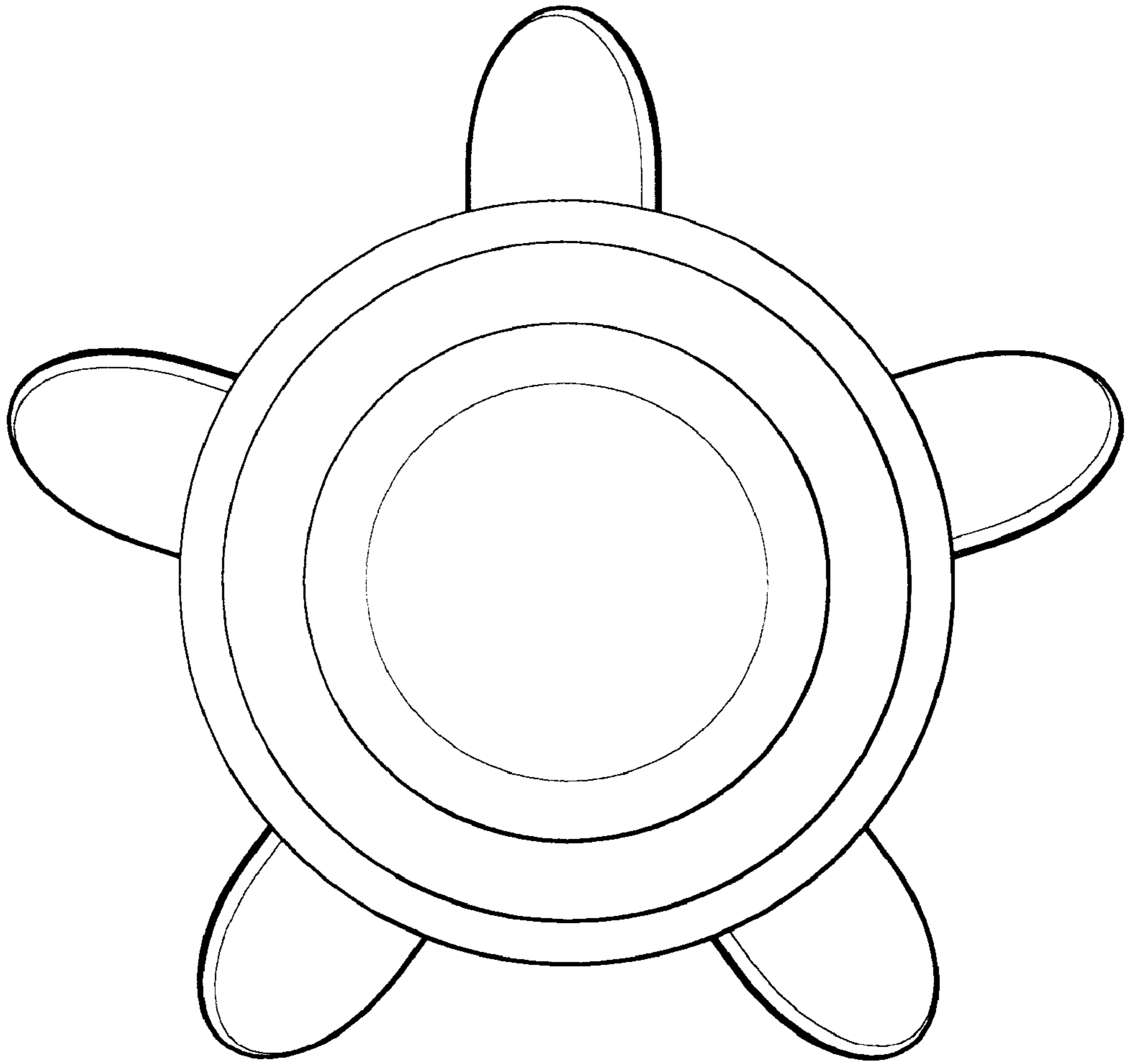


FIG. 7