



US00D451187B1

(12) **United States Design Patent**
Webb

(10) **Patent No.:** **US D451,187 S**

(45) **Date of Patent:** **** Nov. 27, 2001**

- (54) **AIR VENT**
- (75) Inventor: **Walter L. Webb**, Mukilteo, WA (US)
- (73) Assignee: **Leen & Associates, Inc.**, Bellevue, WA (US)
- (**) Term: **14 Years**
- (21) Appl. No.: **29/146,383**
- (22) Filed: **Aug. 11, 2000**

- 2,472,748 6/1949 Labus .
- 2,824,429 2/1958 Zucker .
- 3,500,739 3/1970 Dry .
- 3,938,430 2/1976 Koppang .
- 5,334,091 8/1994 Shih-Chin .
- 5,370,576 12/1994 Krofchalk .

* cited by examiner

Primary Examiner—Lisa Lichtenstein
(74) *Attorney, Agent, or Firm*—Dean A. Craine

Related U.S. Application Data

- (62) Division of application No. 29/101,411, filed on Mar. 3, 1999, which is a continuation of application No. 09/032,413, filed on Feb. 27, 1998, now Pat. No. 5,971,847.
- (51) **LOC (7) Cl.** **23-04**
- (52) **U.S. Cl.** **D23/393**
- (58) **Field of Search** D23/393, 370, D23/388; 454/290, 316, 325

References Cited

U.S. PATENT DOCUMENTS

- D. 358,205 * 5/1995 Ruhland D23/393

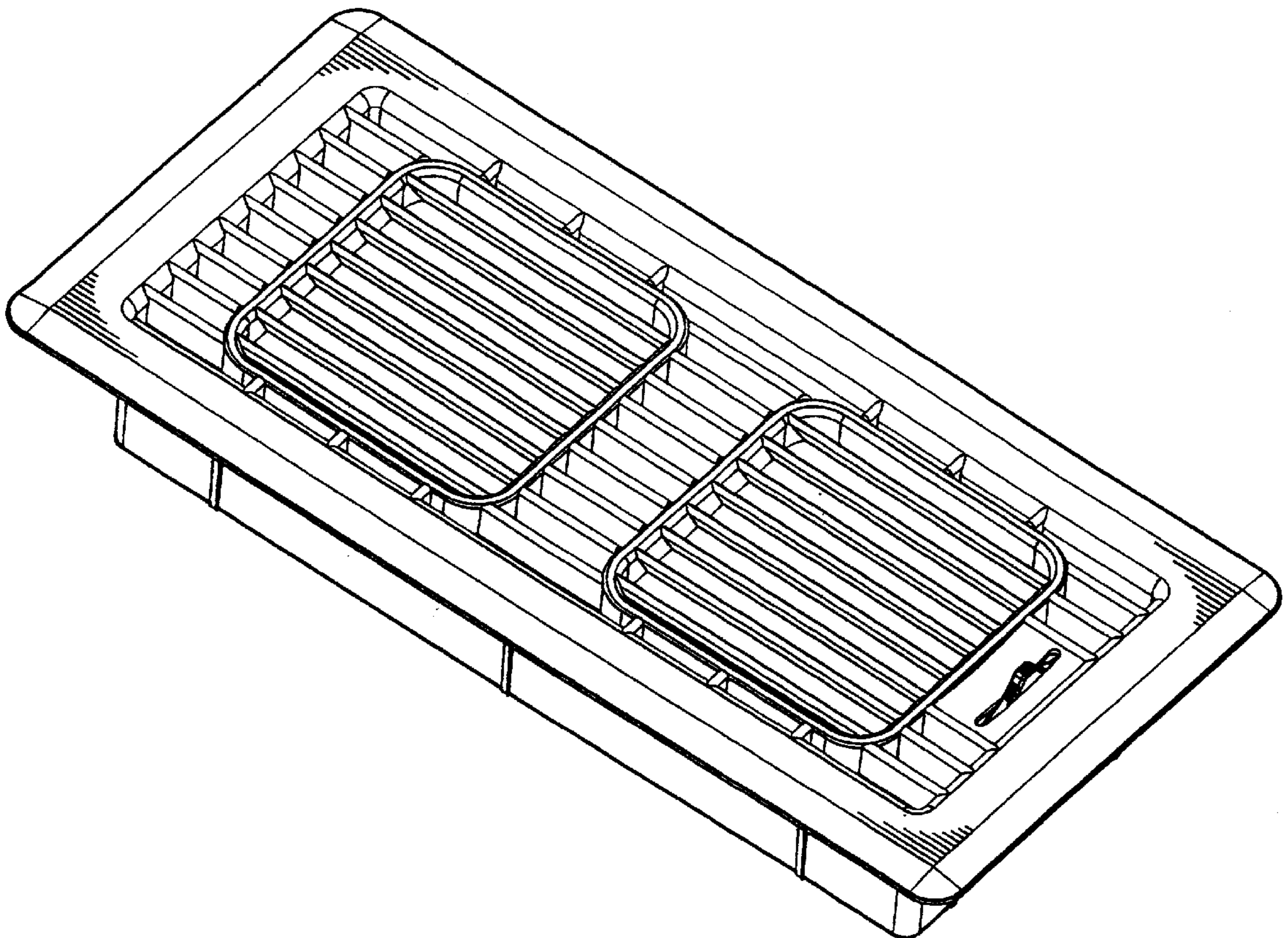
(57) **CLAIM**

The ornamental design for an air vent, as shown and described.

DESCRIPTION

FIG. 1 is a perspective view of the subject design air vent.
 FIG. 2 is a top plan view of the invention.
 FIG. 3 is a bottom plan view of the invention.
 FIG. 4 is a front elevation view of the invention.
 FIG. 5 is a rear elevation view of the invention.
 FIG. 6 is a left side elevation view of the invention; and,
 FIG. 7 is a right side elevation view of the invention.

1 Claim, 3 Drawing Sheets



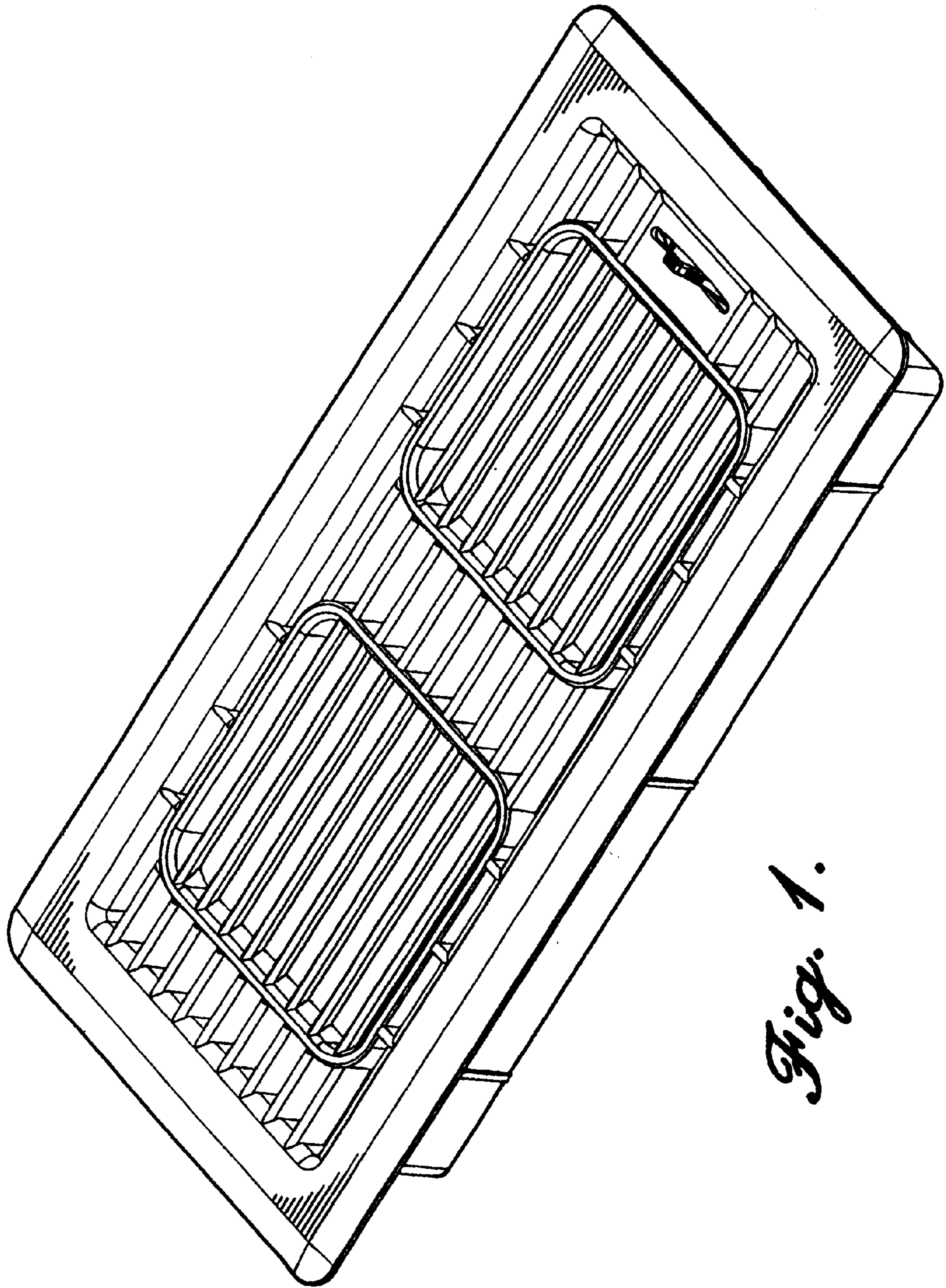


Fig. 1.

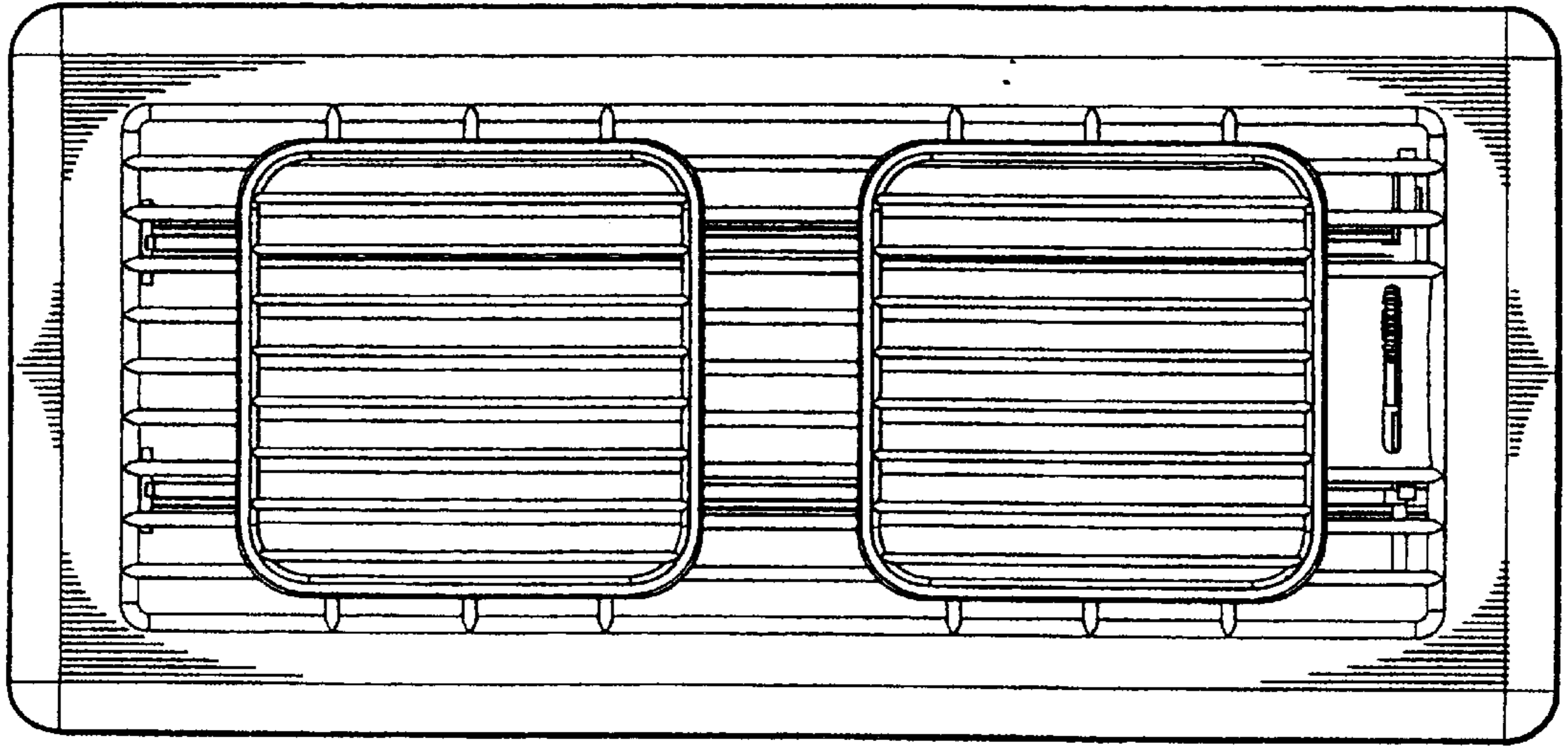


Fig. 2.

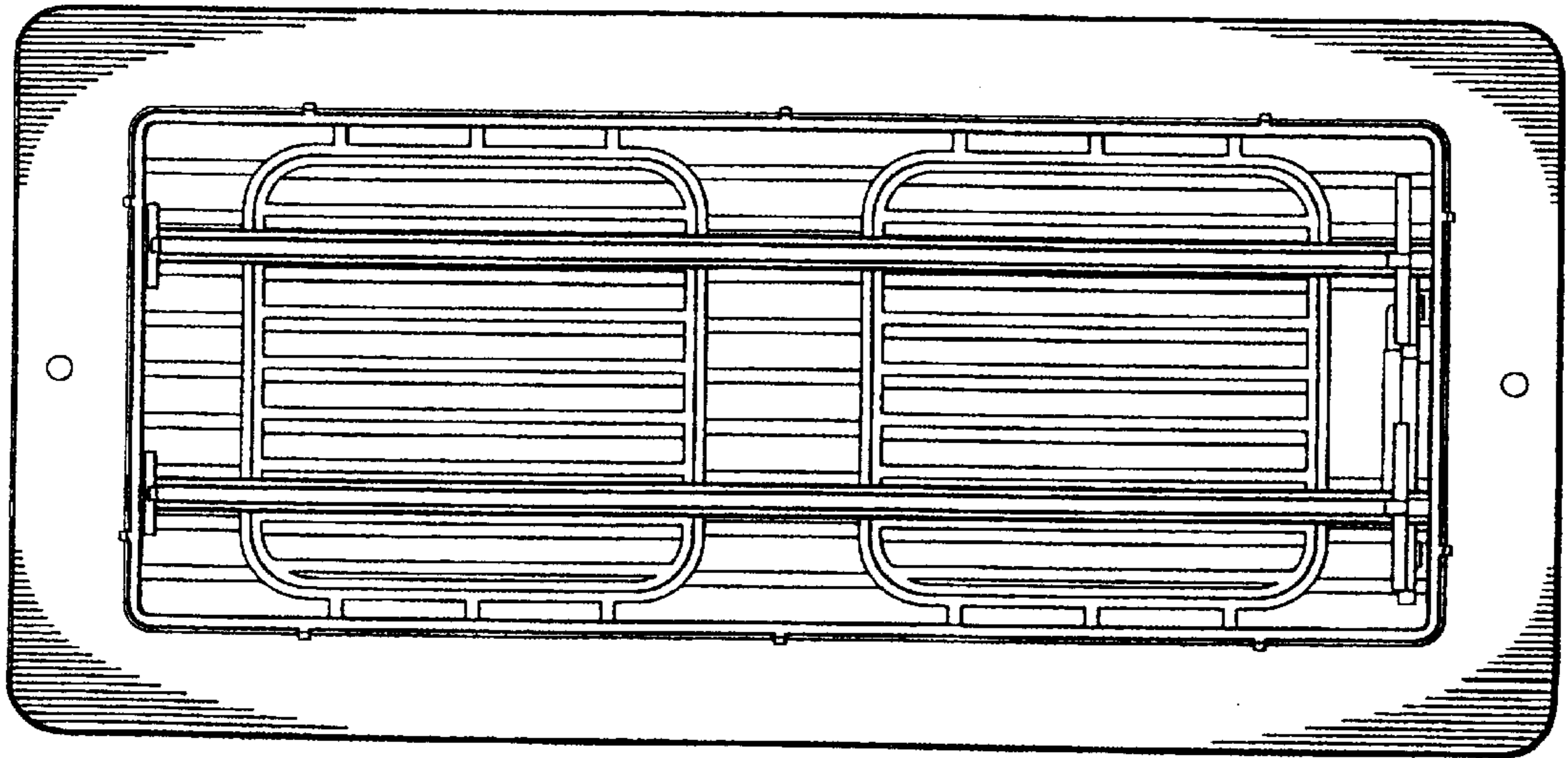


Fig. 3.

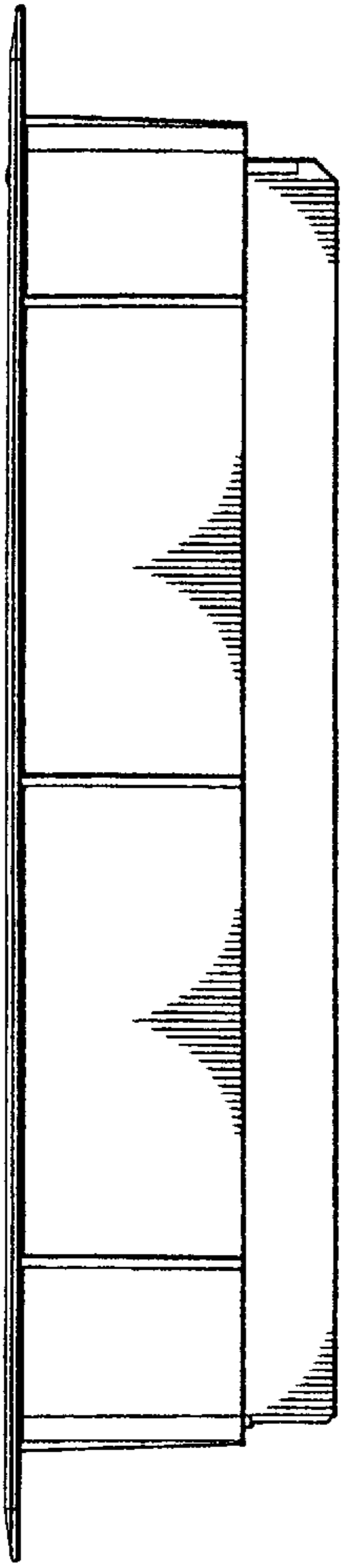


Fig. 4.

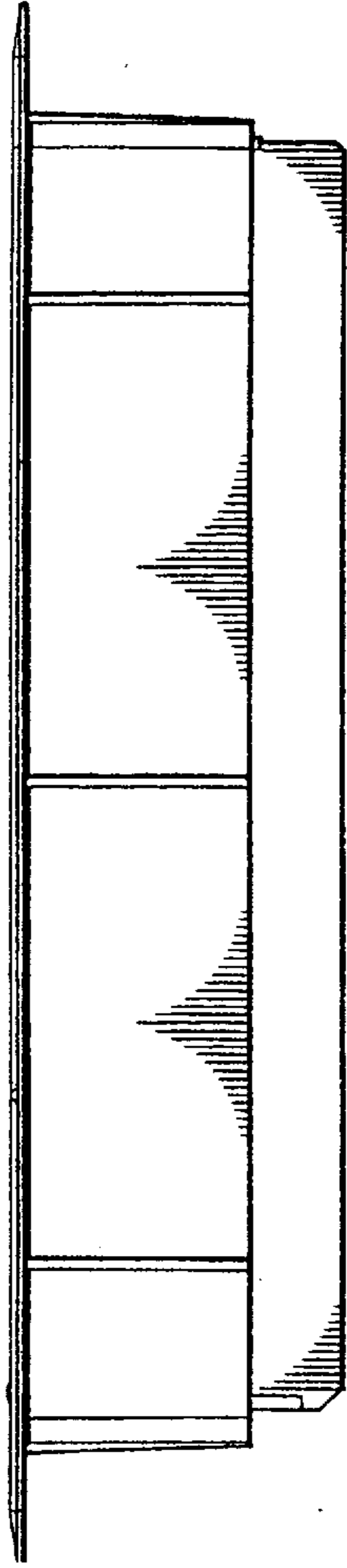


Fig. 5.

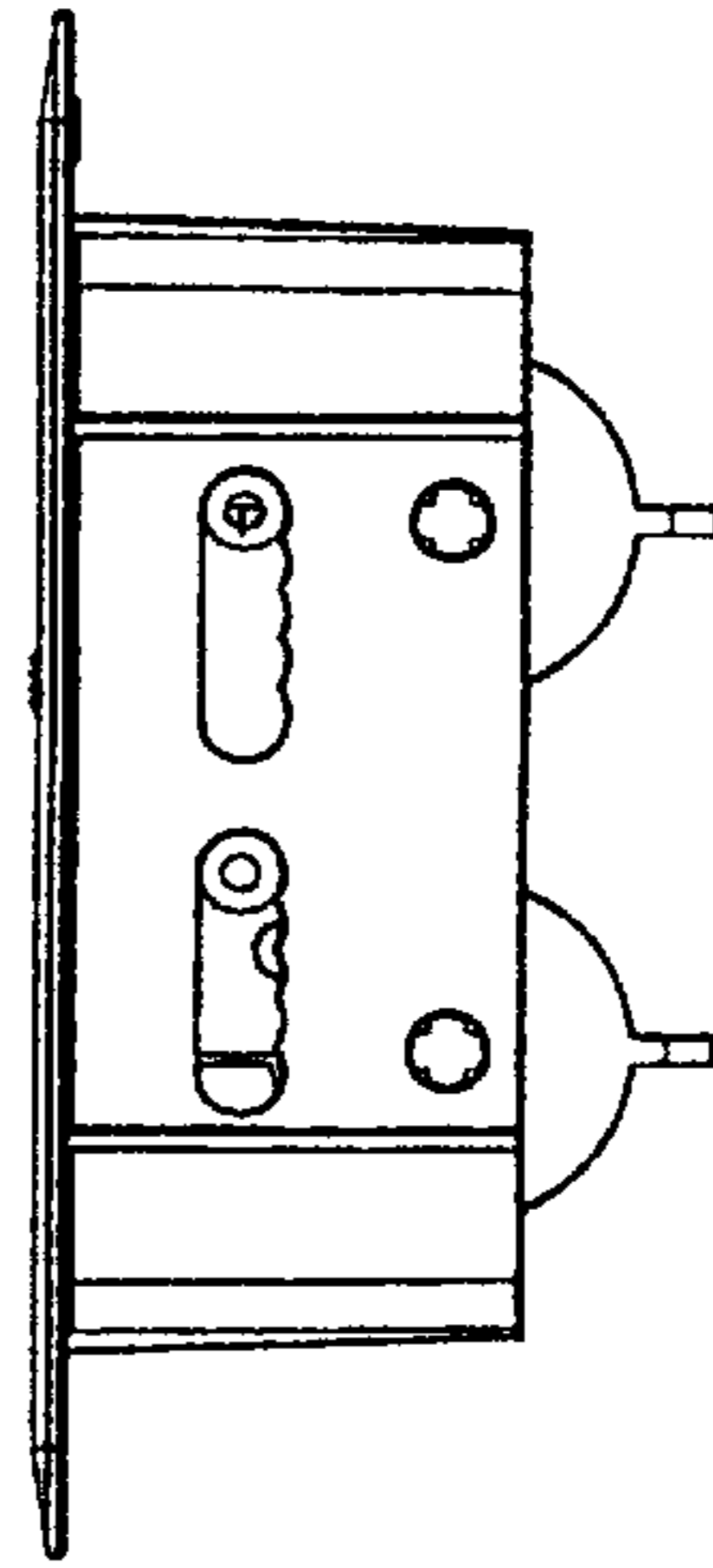


Fig. 6.

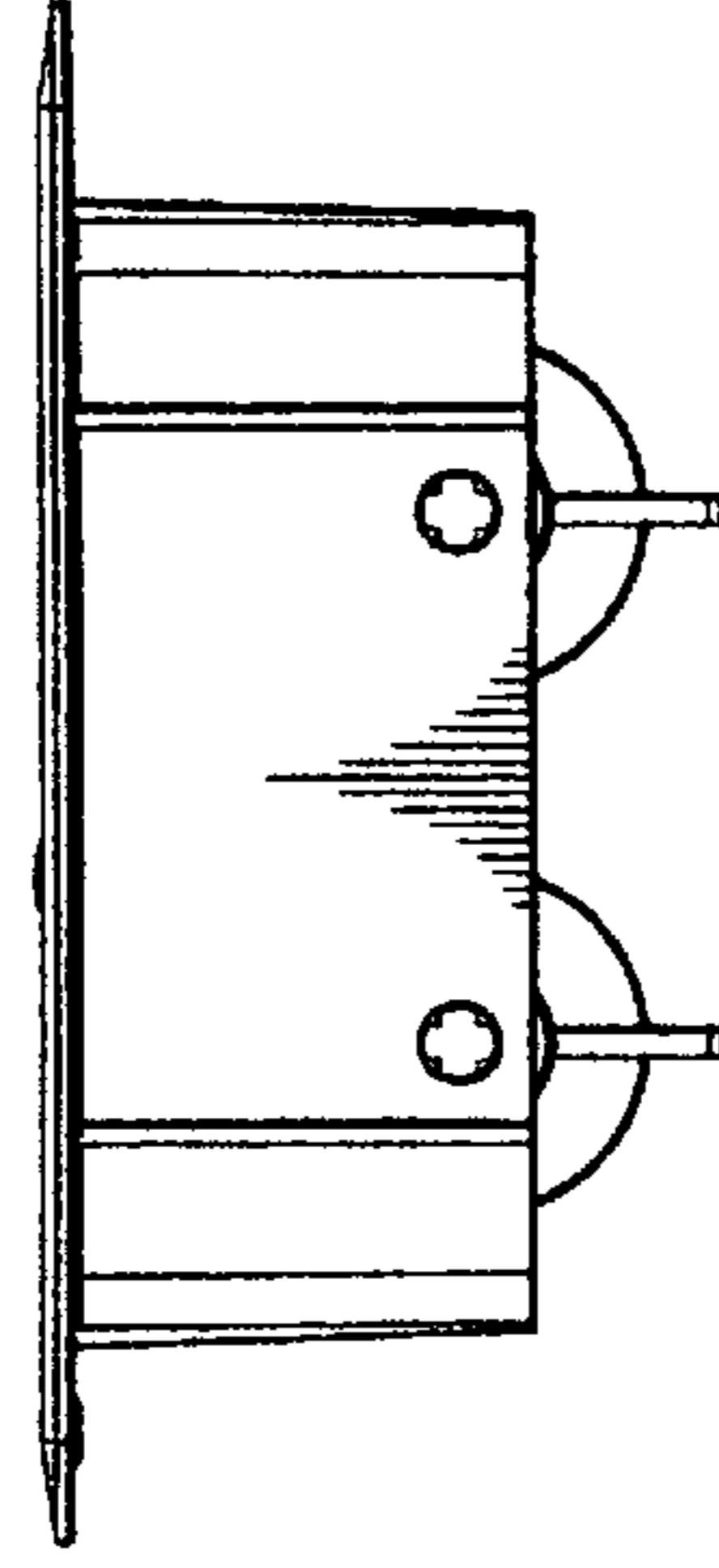


Fig. 7.