



US00D451185B1

(12) **United States Design Patent**  
**Kario et al.**

(10) **Patent No.:** **US D451,185 S**

(45) **Date of Patent:** **\*\* Nov. 27, 2001**

(54) **CEILING FAN**

(76) Inventors: **Vannicoia Kario; Paima Paoia**, both of  
No.346, Shui-Yuan Rd., Feng-Yuan  
City, Taichung Hsien (TW)

(\*\*) Term: **14 Years**

(21) Appl. No.: **29/140,620**

(22) Filed: **Apr. 23, 2001**

(51) **LOC (7) Cl.** ..... **23-04**

(52) **U.S. Cl.** ..... **D23/377**

(58) **Field of Search** ..... D23/377, 379,  
D23/385, 411, 413; 416/5

(56) **References Cited**

**U.S. PATENT DOCUMENTS**

D. 413,378 \* 8/1999 Zuege ..... D23/377

D. 425,610 \* 5/2000 Gee, II ..... D23/377

D. 434,844 \* 12/2000 Williams ..... D23/377

\* cited by examiner

*Primary Examiner*—Lisa Lichtenstein

(74) *Attorney, Agent, or Firm*—Charles E. Baxley

(57) **CLAIM**

The ornamental design for a ceiling fan, as shown and described.

**DESCRIPTION**

FIG. 1 is a perspective view of ceiling fan showing our new design;

FIG. 2 is a front elevational view thereof;

FIG. 3 is a rear elevational view thereof;

FIG. 4 is a left side elevational view thereof;

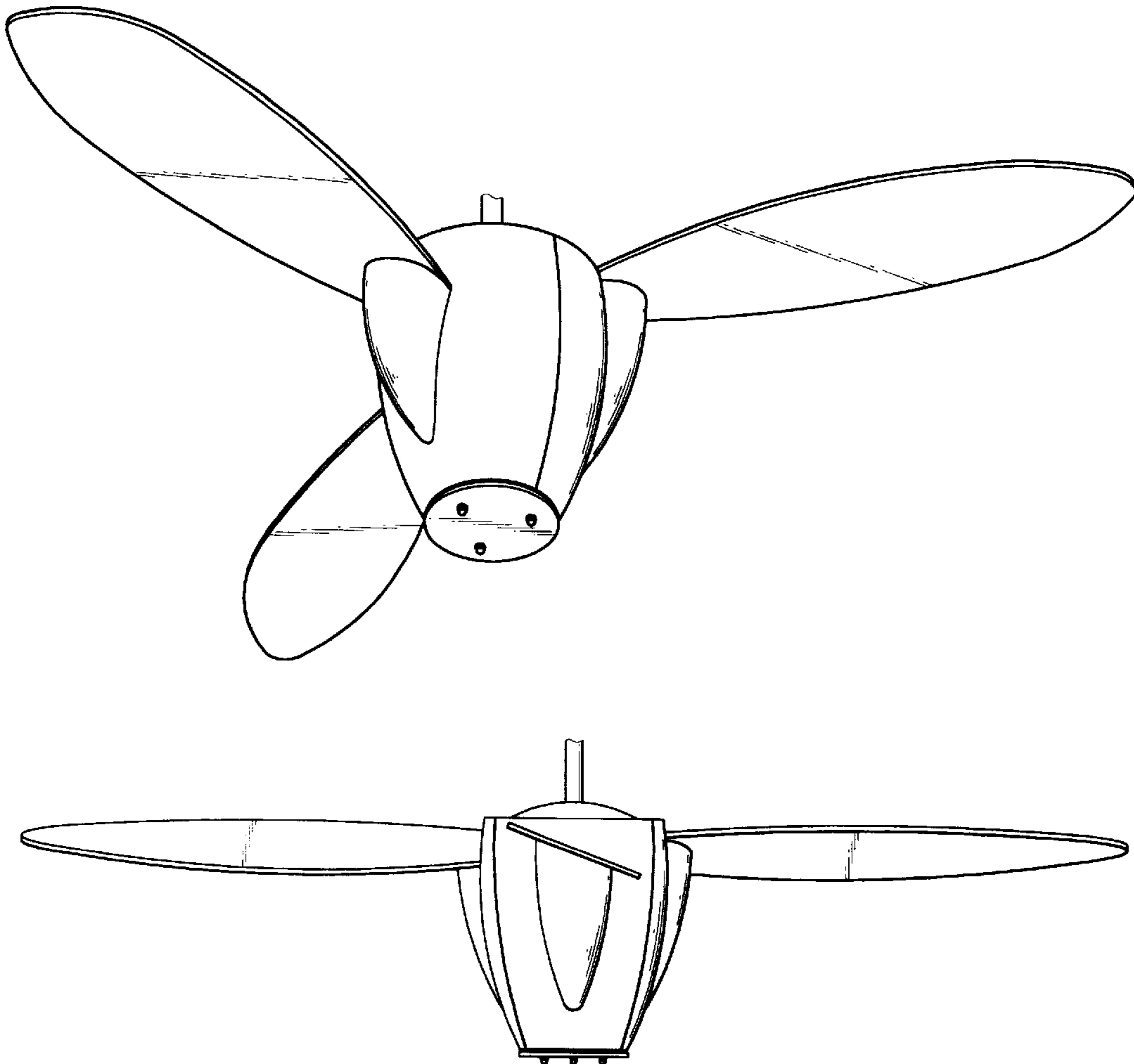
FIG. 5 is a right side elevational view thereof;

FIG. 6 is a top plan view thereof; and,

FIG. 7 is a bottom plan view thereof.

The support rod has been shown broken away to indicate indeterminate length.

**1 Claim, 7 Drawing Sheets**



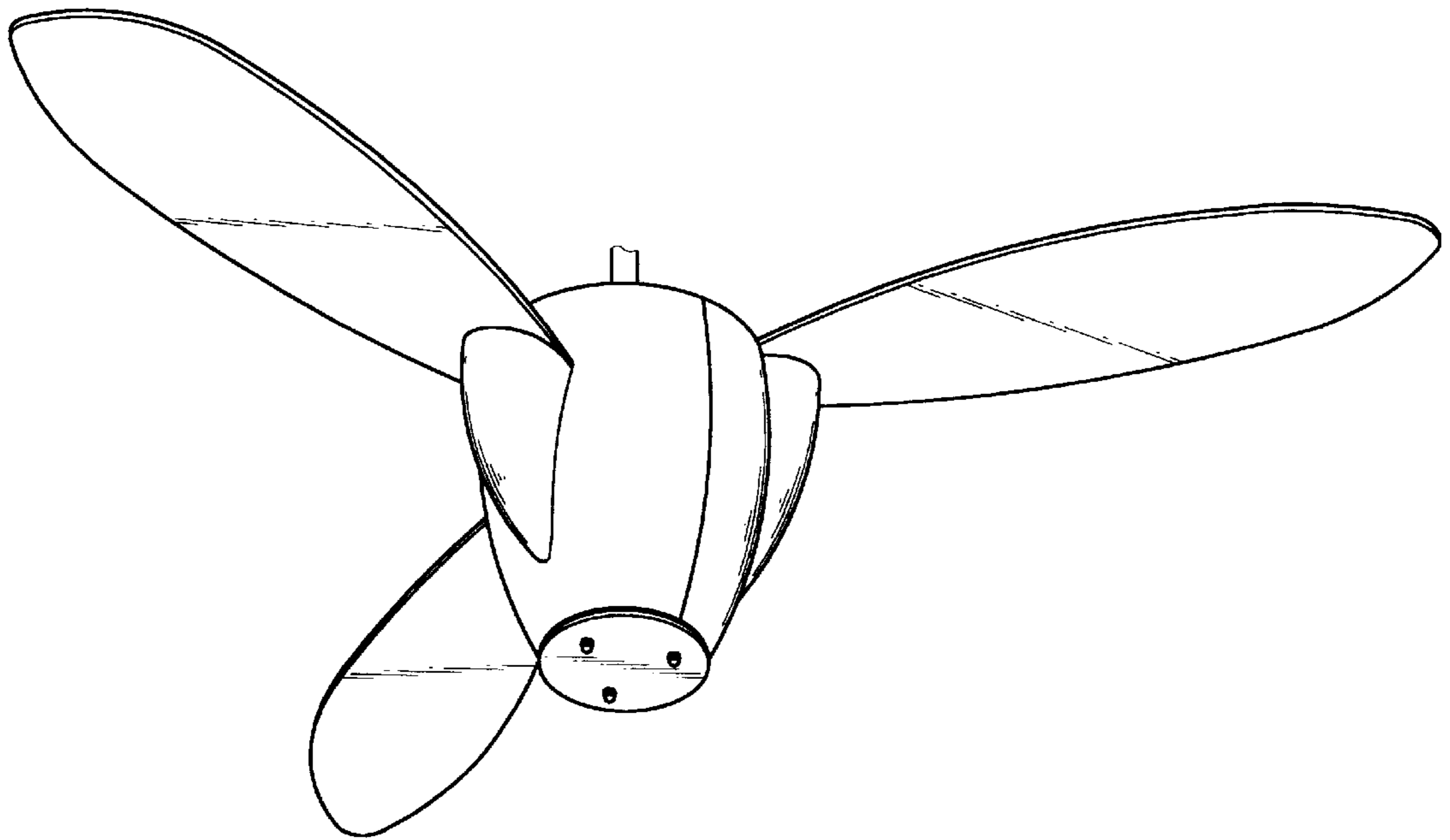


FIG. 1

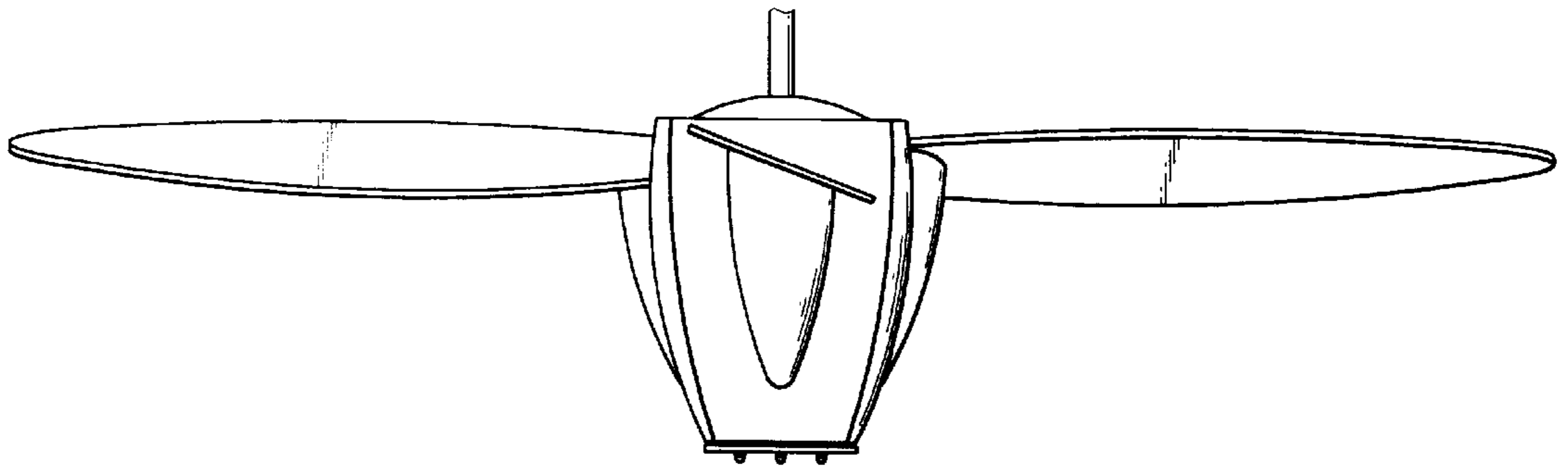


FIG. 2

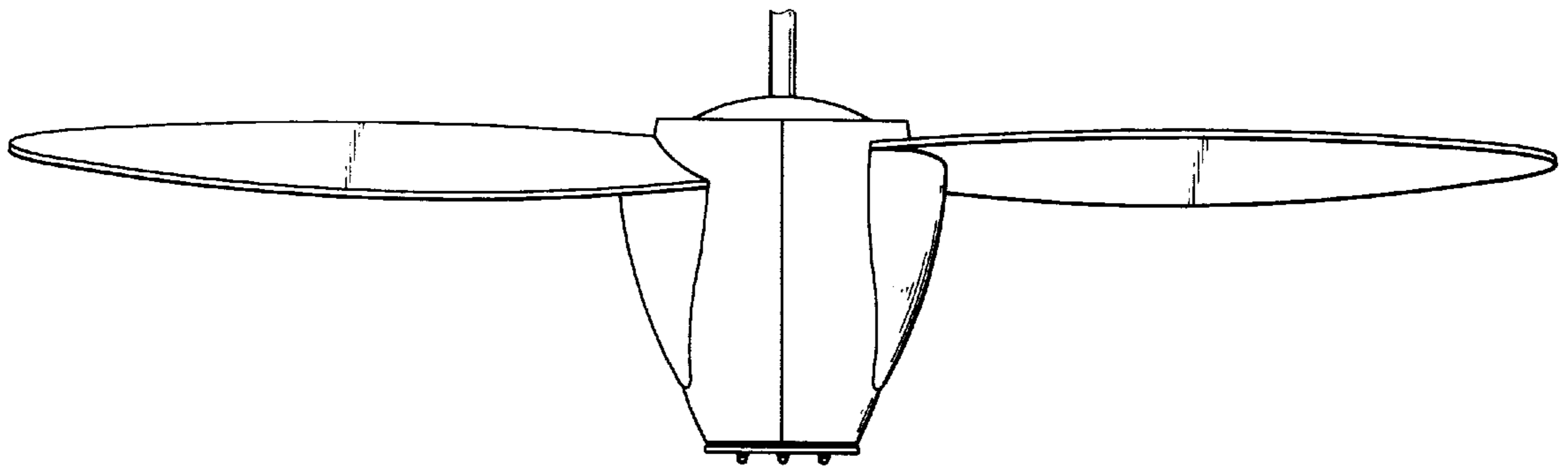


FIG. 3

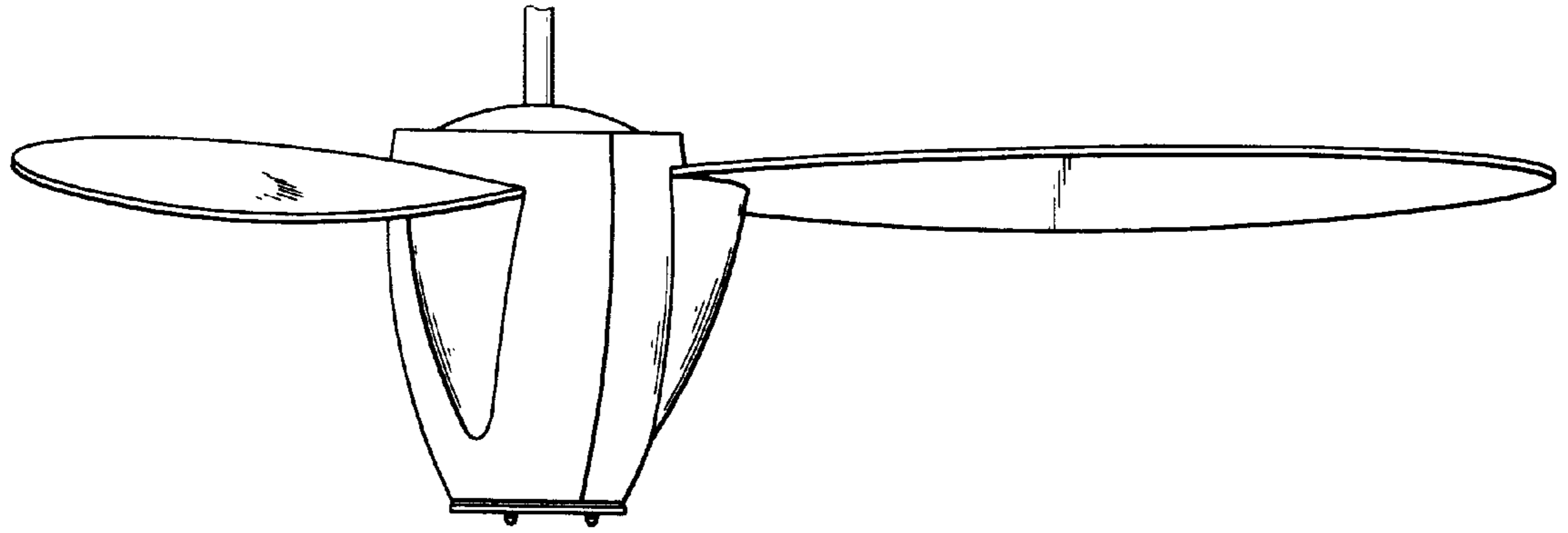


FIG. 4

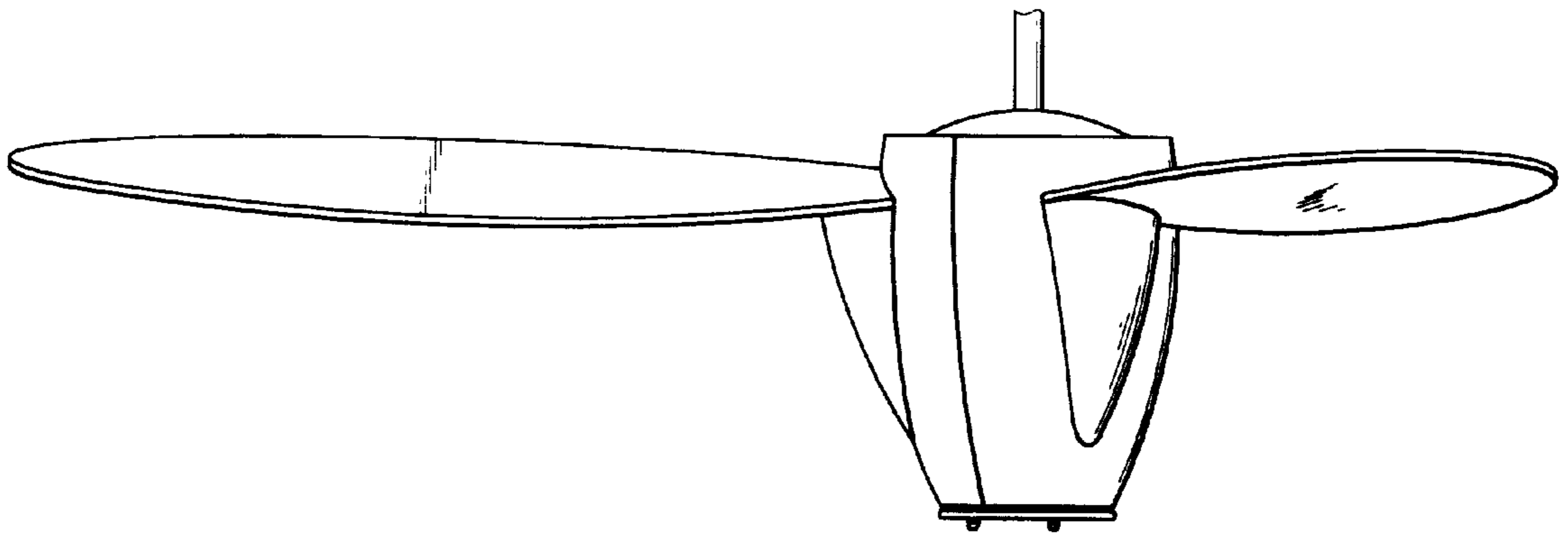


FIG. 5

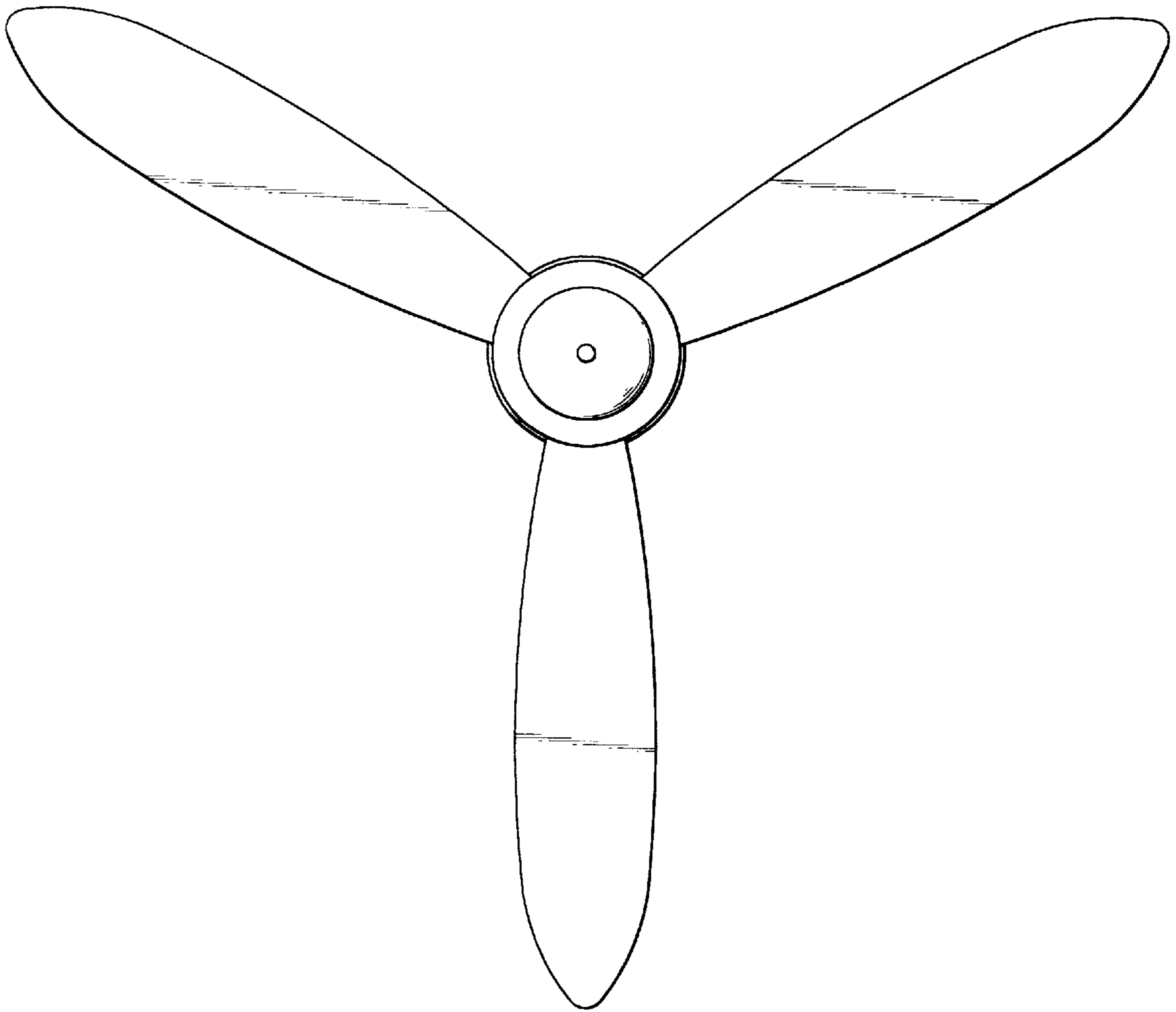


FIG. 6

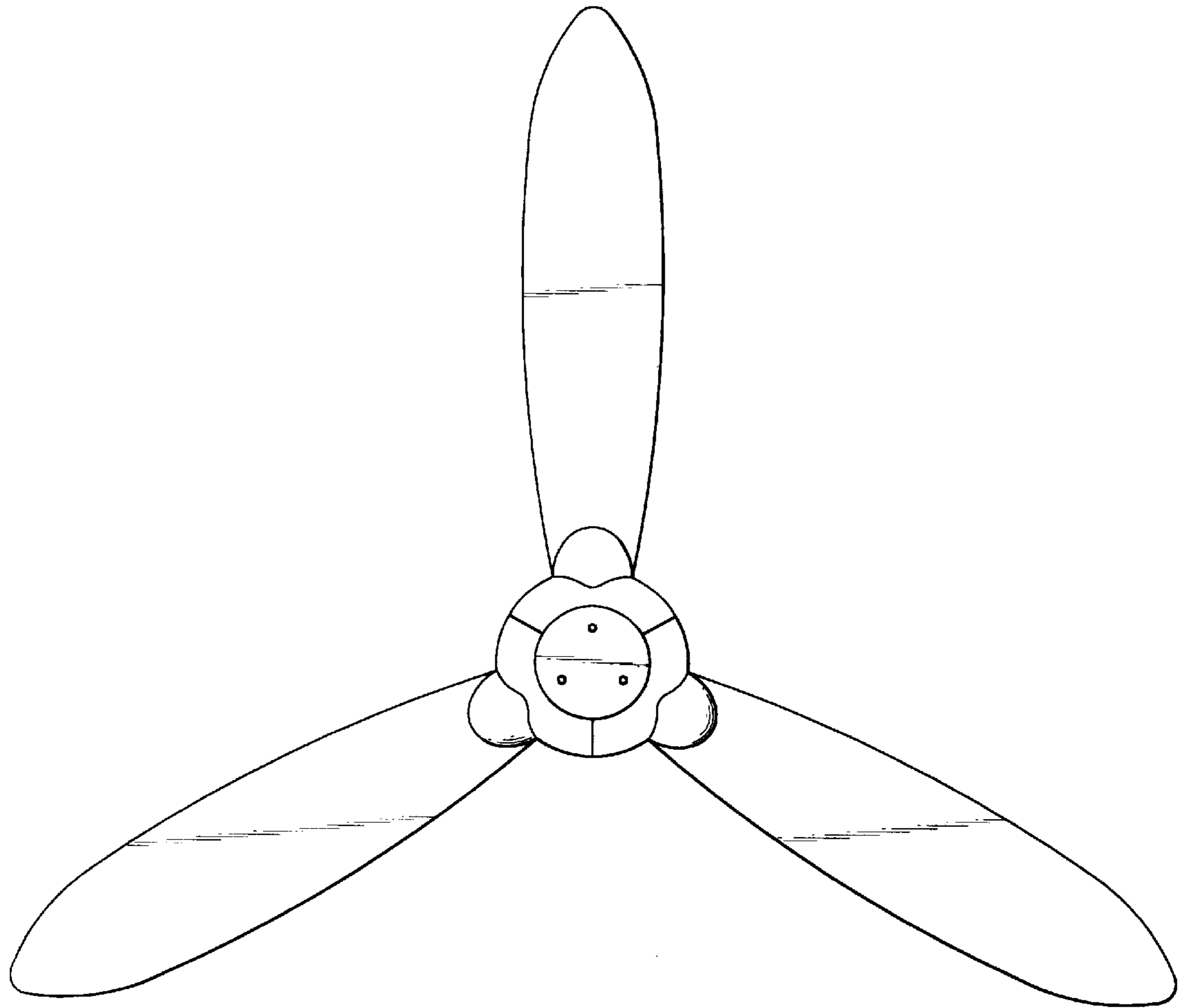


FIG. 7