



US00D451184B1

(12) **United States Design Patent**
Yuen

(10) **Patent No.:** **US D451,184 S**

(45) **Date of Patent:** **** Nov. 27, 2001**

(54) **FAN**

D. 345,599 * 3/1994 Williams, Jr. 416/63
5,304,035 * 4/1994 Carter 416/63

(75) **Inventor:** **John se Kit Yuen, Kowloon (HK)**

* cited by examiner

(73) **Assignee:** **John Manufacturing Limited,**
Kowloon (HK)

Primary Examiner—Lisa Lichtenstein
(74) *Attorney, Agent, or Firm*—Staas & Halsey LLP

(**) **Term:** **14 Years**

(57) **CLAIM**

(21) **Appl. No.:** **29/132,236**

The ornamental design for a fan, as shown and described.

(22) **Filed:** **Nov. 7, 2000**

DESCRIPTION

(30) **Foreign Application Priority Data**

Jun. 30, 2000 (HK) 0010858

(51) **LOC (7) Cl.** **23-04**

(52) **U.S. Cl.** **D23/377; D23/379**

(58) **Field of Search** **D23/377, 379,**
D23/370; 416/247 R, 63, 244 R, 146 R

FIG. 1 is a right side view of the fan showing my design;
FIG. 2 is a top view thereof;
FIG. 3 is a left view thereof;
FIG. 4 is a bottom view thereof;
FIG. 5 is a front view thereof; and,
FIG. 6 is a rear view thereof.

(56) **References Cited**

The cord has been shown broken away in the middle to indicate indeterminate lengths.

U.S. PATENT DOCUMENTS

D. 329,088 * 9/1992 Yuen D23/377

1 Claim, 1 Drawing Sheet

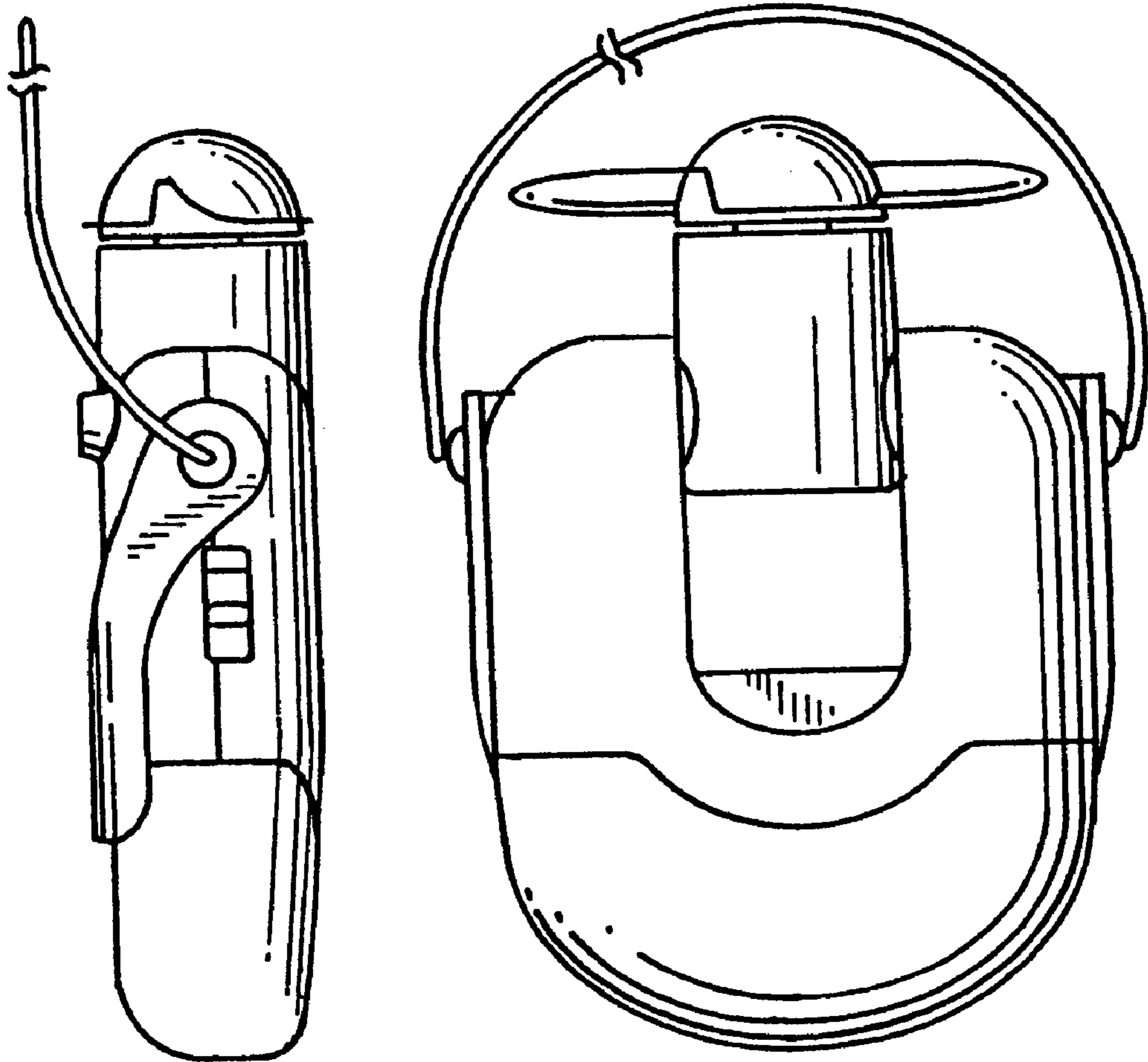


FIG. 4

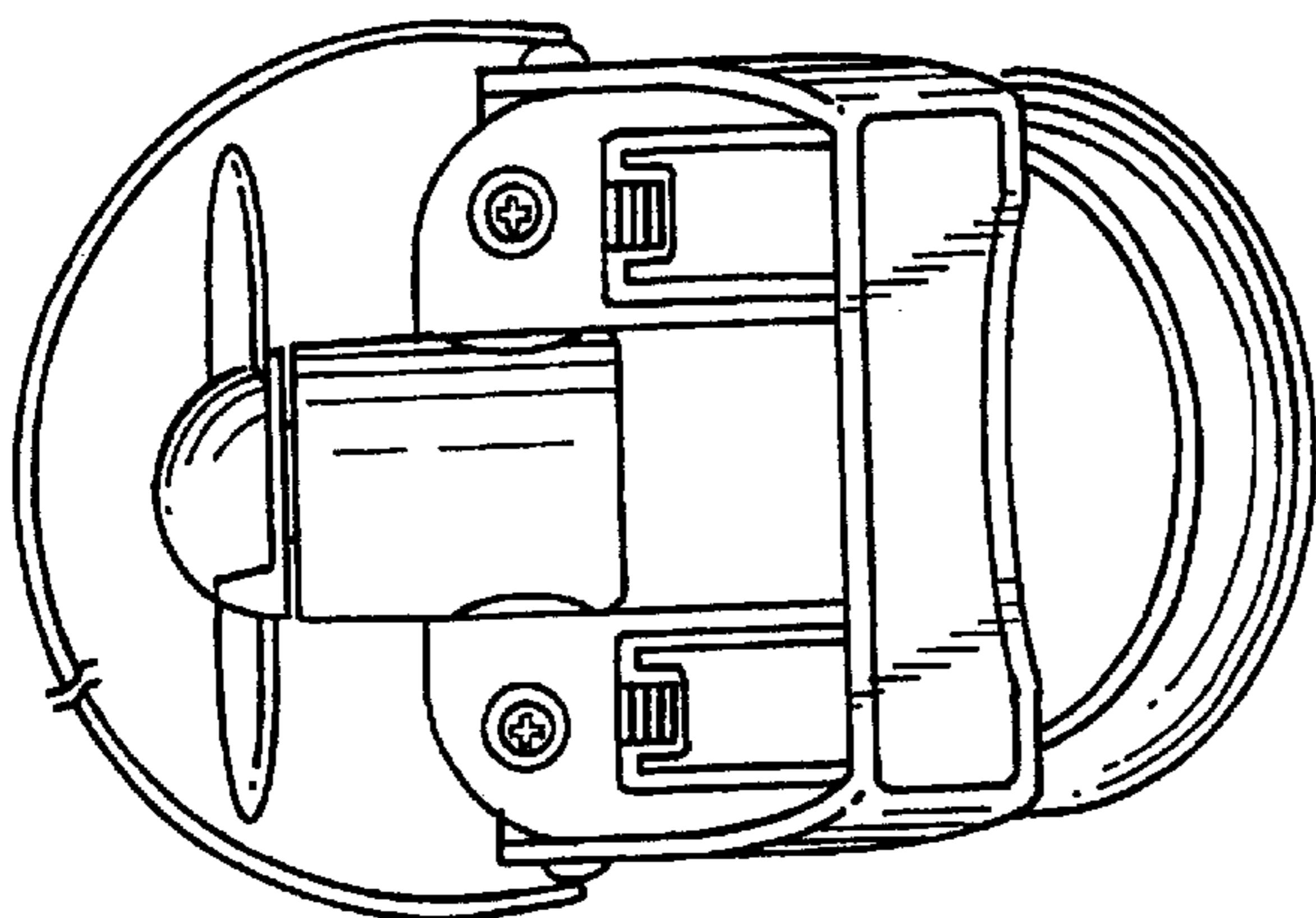


FIG. 3

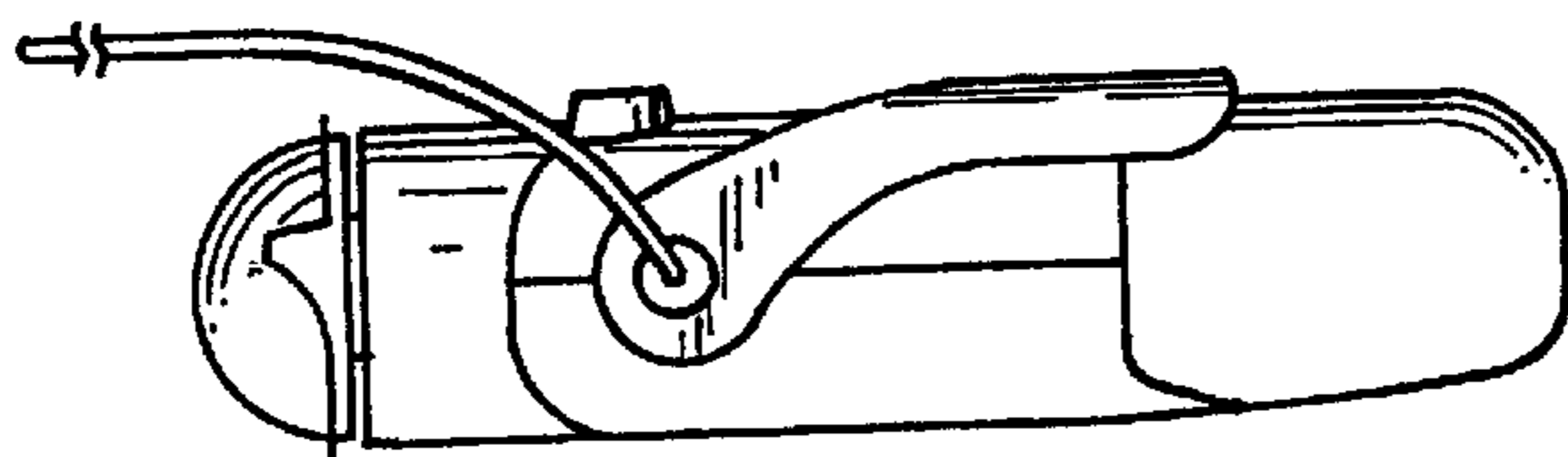


FIG. 1

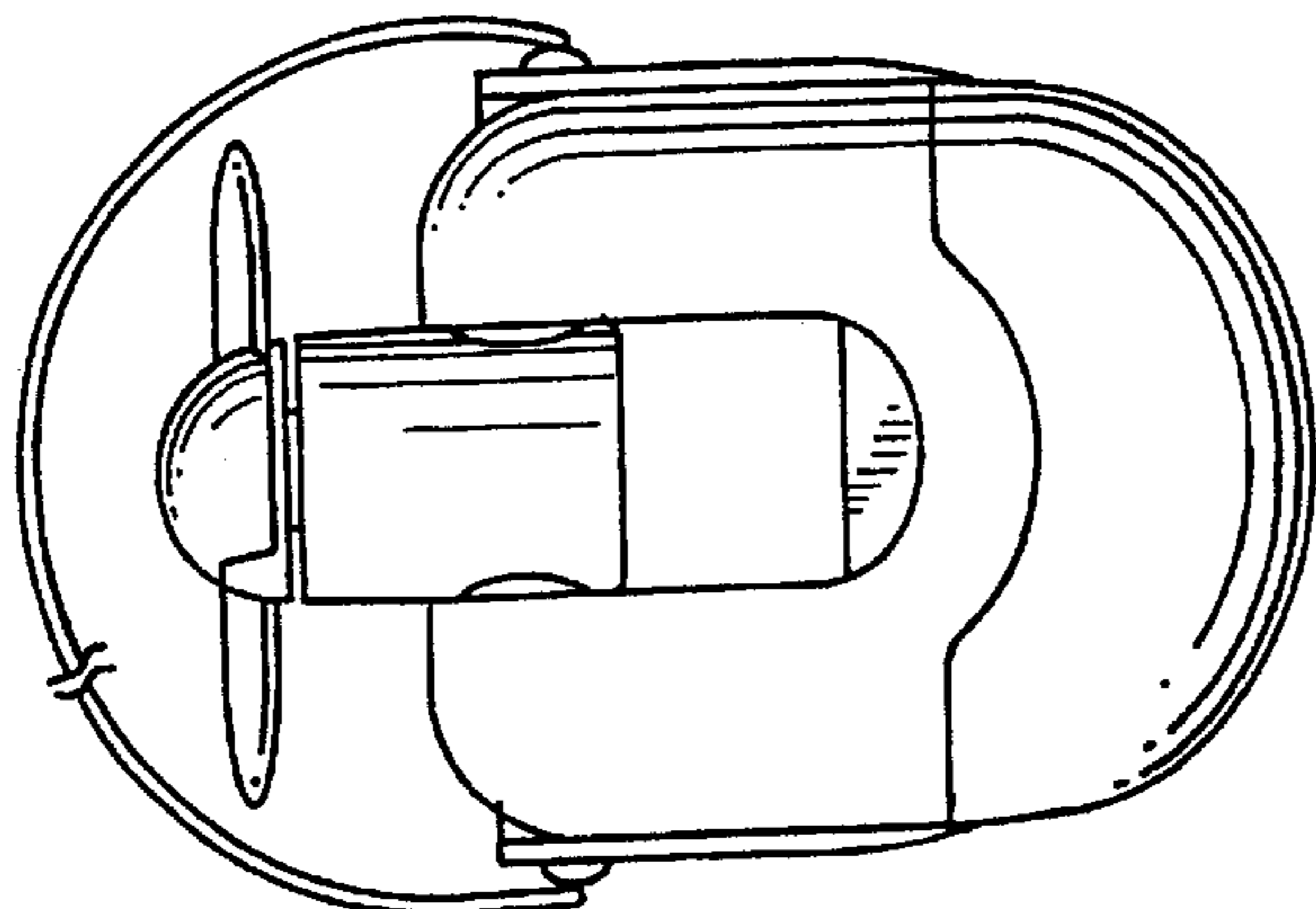


FIG. 2

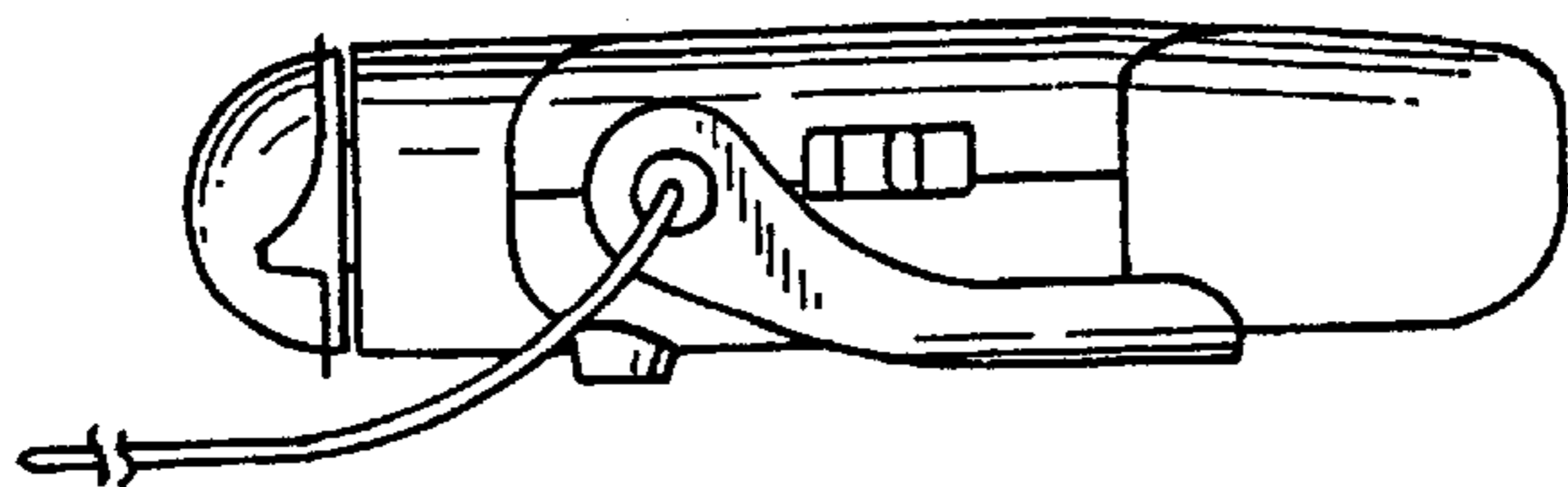


FIG. 5

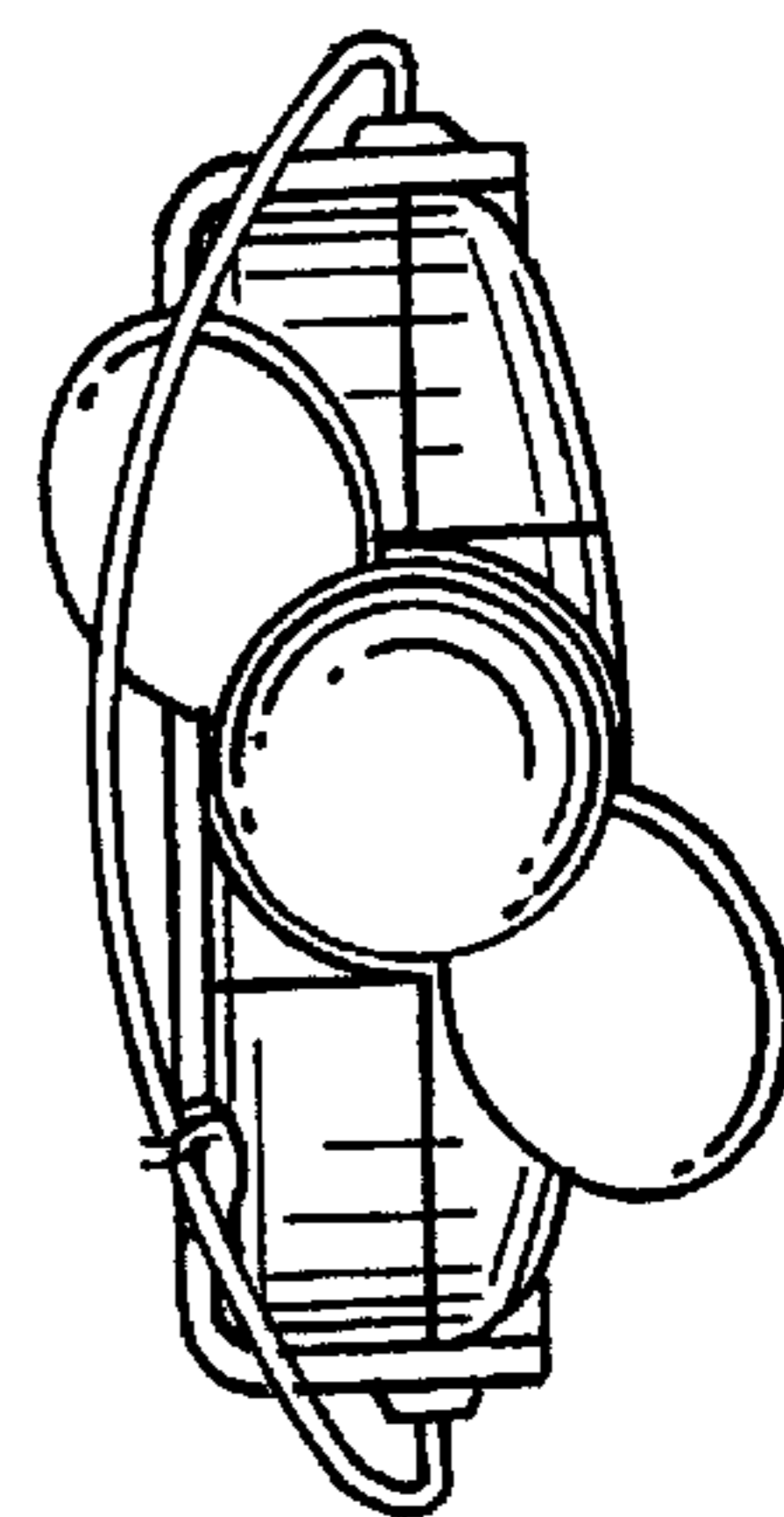


FIG. 6

