



US00D451183B1

(12) **United States Design Patent**
Hirano et al.

(10) **Patent No.:** **US D451,183 S**

(45) **Date of Patent:** **** Nov. 27, 2001**

(54) **LIGHT EMITTING AROMA THERAPY ARTICLE**

D. 380,257 * 6/1997 Ganor D23/366
D. 434,842 * 12/2000 Thomas et al. D23/366

(75) Inventors: **Teruhisa Hirano; Shimio Shirogane,**
both of Kobe (JP)

* cited by examiner

(73) Assignee: **The Procter & Gamble Company,**
Cincinnati, OH (US)

Primary Examiner—Lisa Lichtenstein

(74) *Attorney, Agent, or Firm*—Paul M. Ulrich

(**) Term: **14 Years**

(57) **CLAIM**

The ornamental design for a light emitting aroma therapy article, as shown and described.

(21) Appl. No.: **29/135,620**

(22) Filed: **Jan. 16, 2001**

DESCRIPTION

(30) **Foreign Application Priority Data**

Jul. 14, 2000 (GB) 2094264

(51) **LOC (7) Cl.** **23-04**

(52) **U.S. Cl.** **D23/366**

(58) **Field of Search** D23/366-369;
239/54-60, 47, 34; 261/DIG. 65; 422/125,
305; 392/390, 403-406; D26/52

FIG. 1 is a perspective view of a light emitting aroma therapy article, embodying our new design;

FIG. 2 is a front elevational view thereof;

FIG. 3 is a back elevational view thereof;

FIG. 4 is a left side elevational view thereof, the right side being a mirror image thereof;

FIG. 5 is a top planar view thereof; and,

FIG. 6 is a bottom planar view thereof.

(56) **References Cited**

U.S. PATENT DOCUMENTS

D. 191,396 * 9/1961 Weber, III D23/366

1 Claim, 2 Drawing Sheets

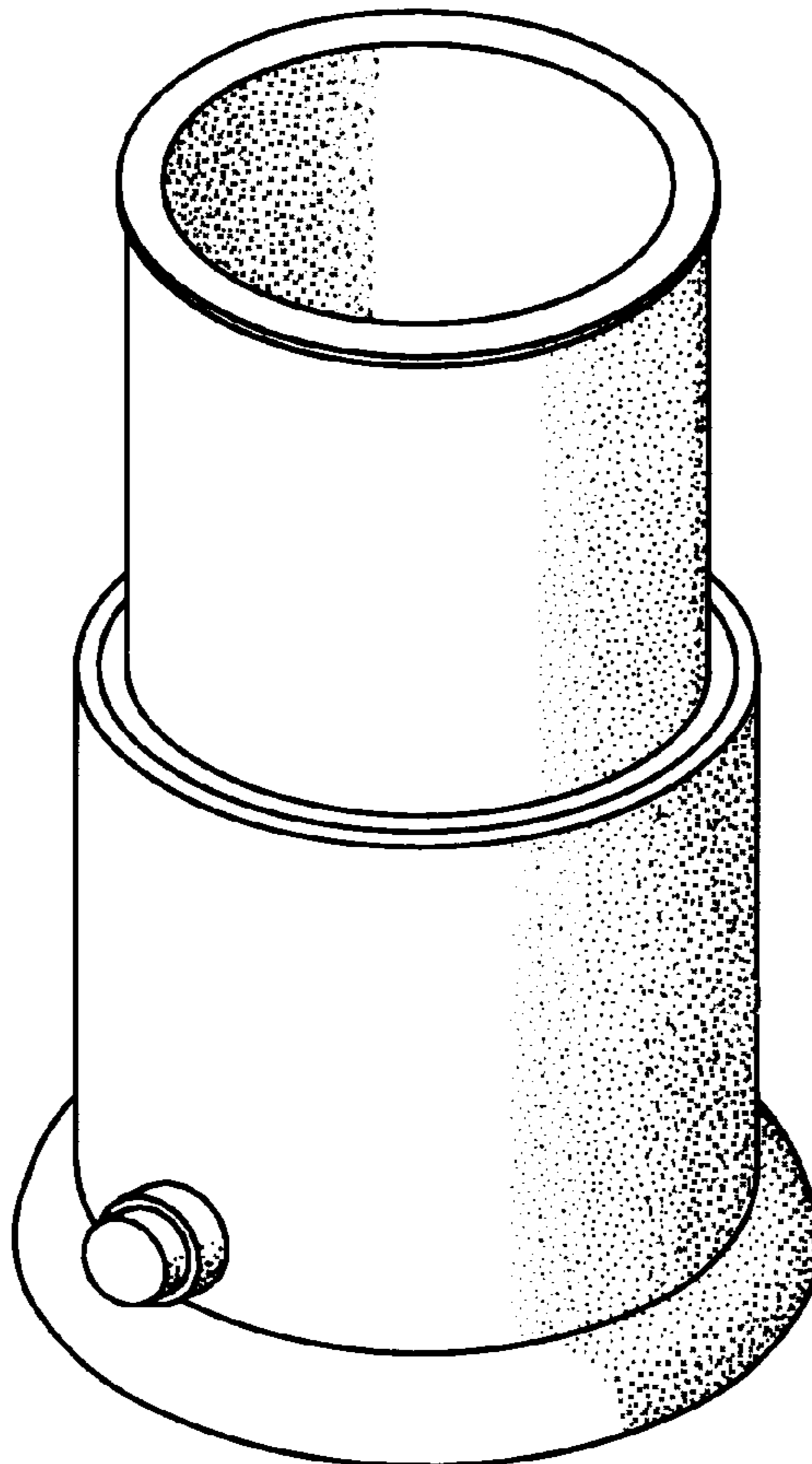


Fig. 1

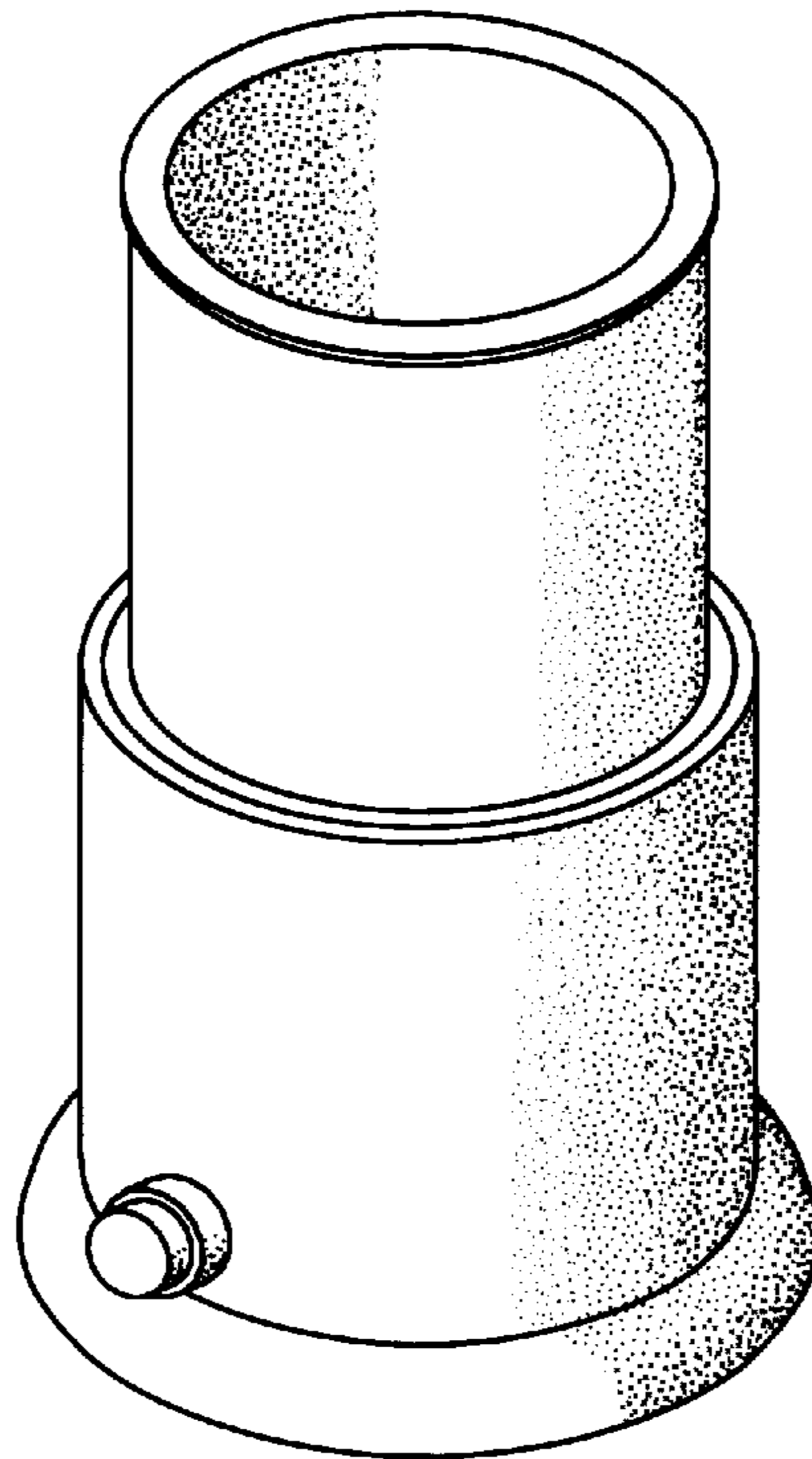


Fig. 2

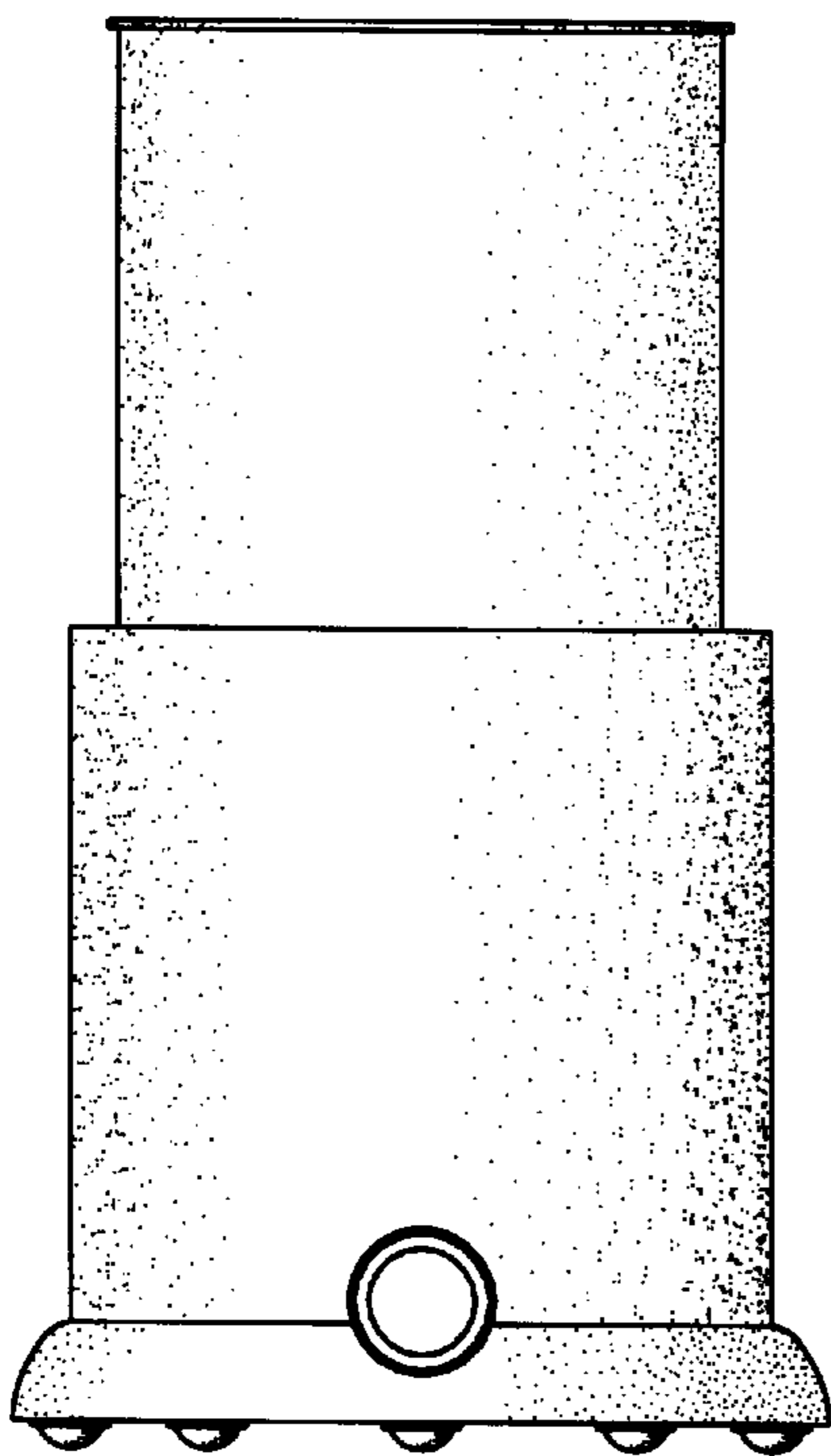


Fig. 3

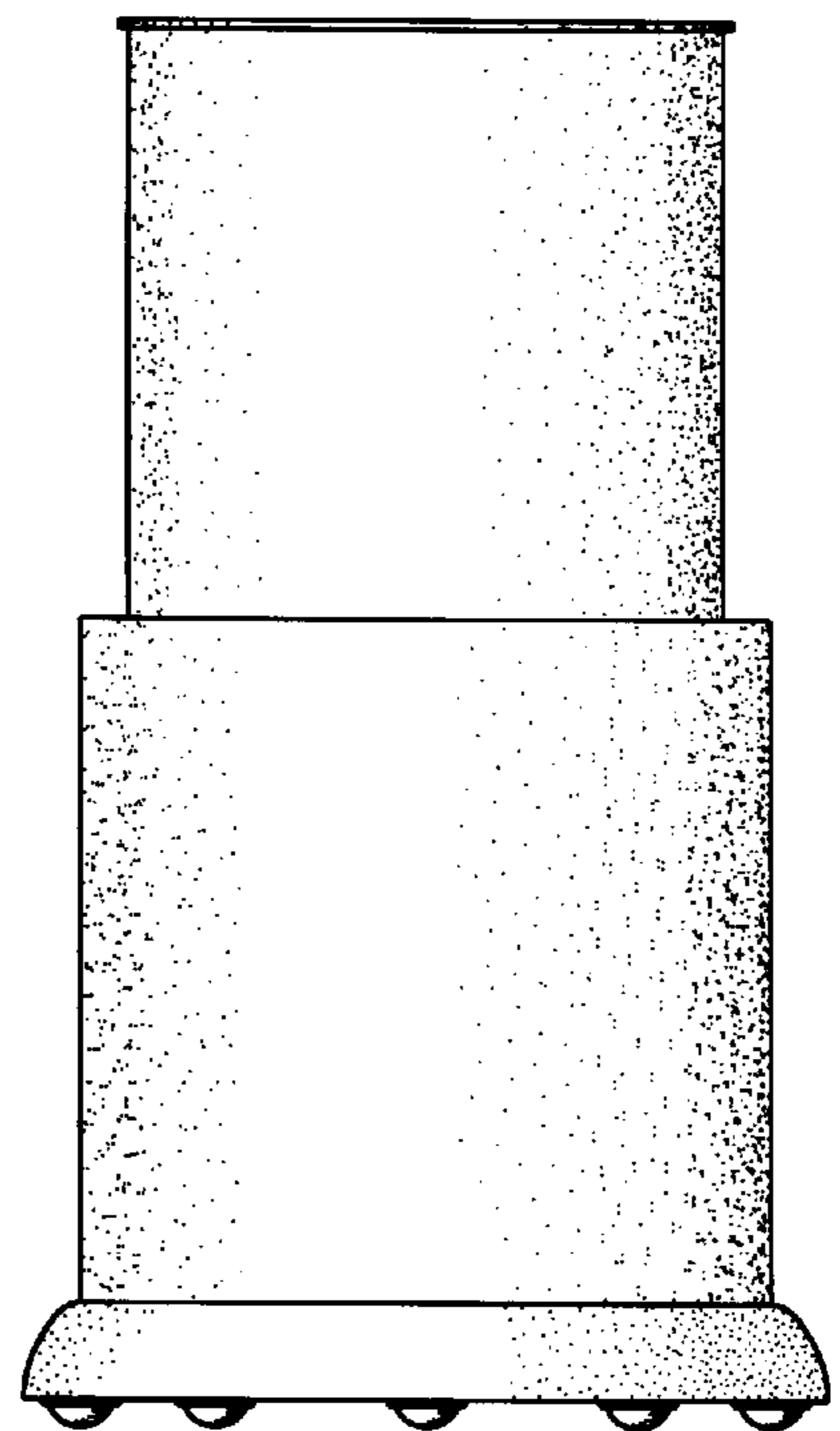


Fig. 4

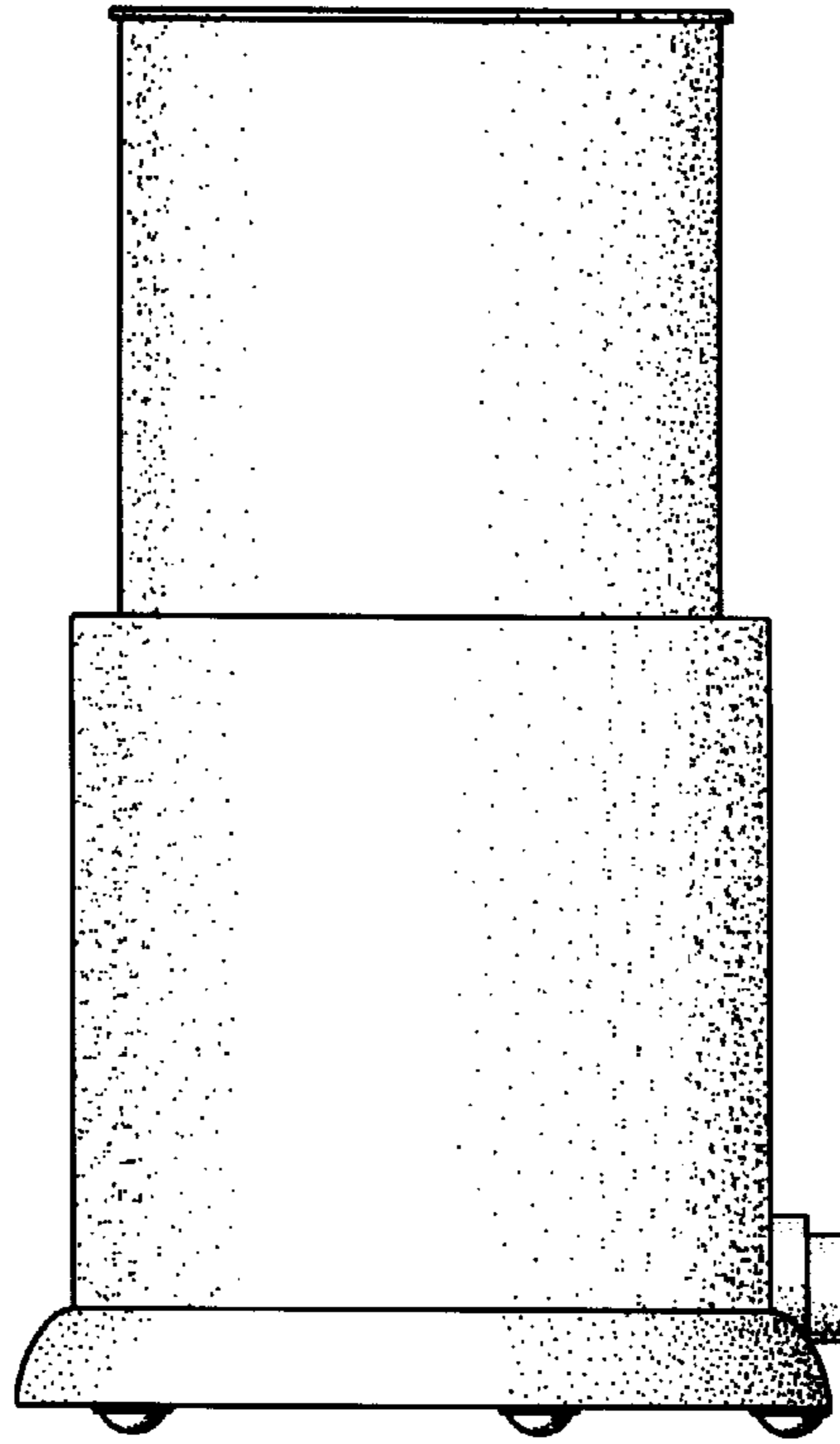


Fig. 5

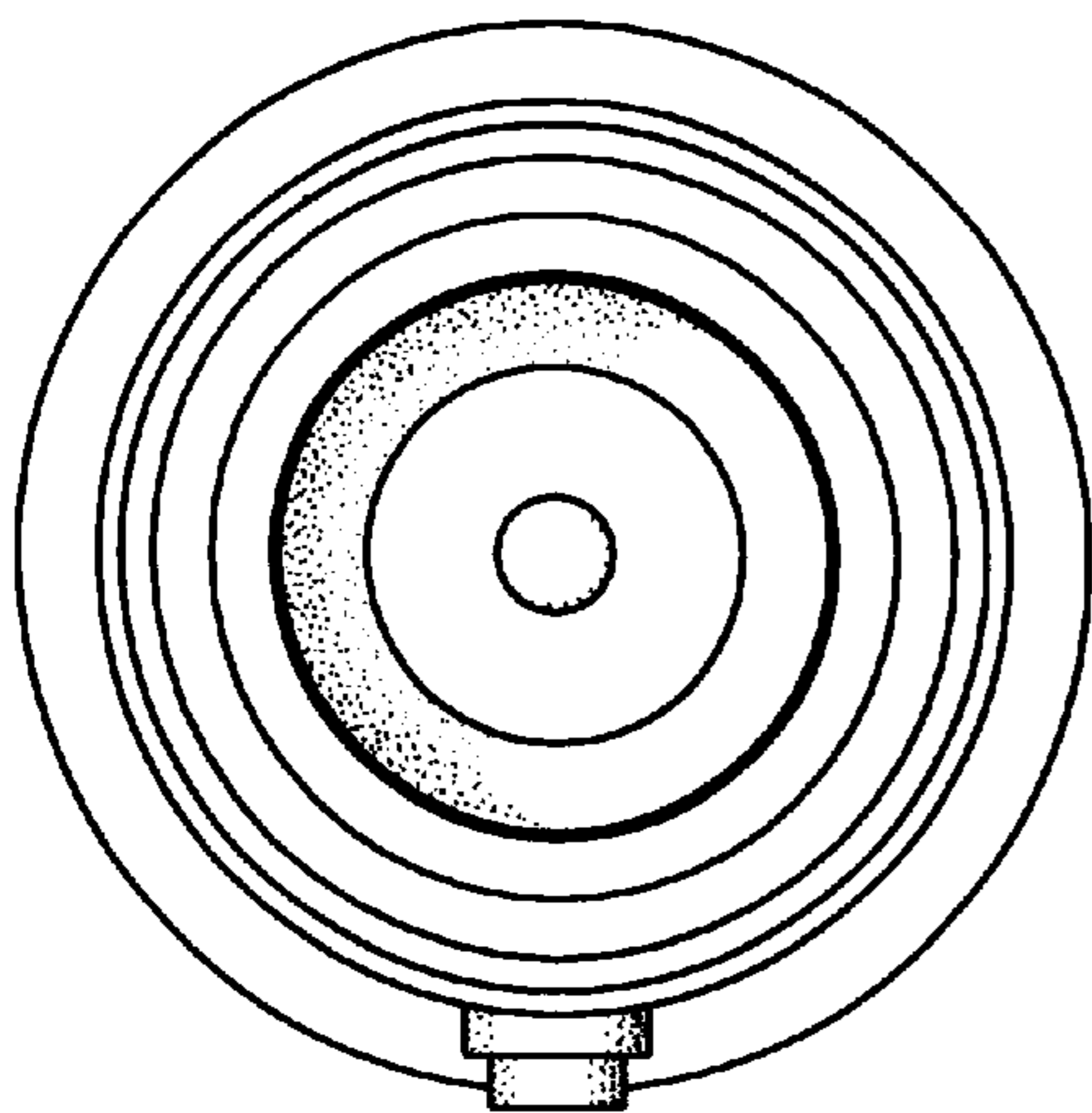


Fig. 6

