



US00D451178B1

(12) **United States Design Patent**
Massey, Jr.

(10) **Patent No.:** **US D451,178 S**

(45) **Date of Patent:** **** Nov. 27, 2001**

(54) **PORTABLE TOILET SEAT COVER**

(76) Inventor: **William Yates Massey, Jr.**, 2608
Phelps Ave., Forestville, MD (US)
20747

(**) Term: **14 Years**

(21) Appl. No.: **29/124,624**

(22) Filed: **Jun. 9, 2000**

(51) **LOC (7) Cl.** **23-02**

(52) **U.S. Cl.** **D23/311**

(58) **Field of Search** D23/295, 296,
D23/297, 311, 312; 4/237, 238, 239, 248,
245.1, 245.3, 245.4, 245.7, 245.8

(56) **References Cited**

U.S. PATENT DOCUMENTS

D. 320,069	*	9/1991	Rossiter	D23/311
912,280	*	2/1909	Brott	4/245.8 X
1,070,618	*	8/1913	Leatherland	4/245.8
1,522,699	*	1/1925	Reid	4/245.8
2,580,563	*	1/1952	Levin	4/245.8
2,716,244	*	8/1955	Wendel	D23/311 X
4,920,584	*	5/1990	Abdrabbo	4/245.1
5,557,809	*	9/1996	Adams	4/245.3
6,073,274	*	6/2000	McQueen	4/245.4

* cited by examiner

Primary Examiner—Doris Clark
Assistant Examiner—Robert A. Delehanty

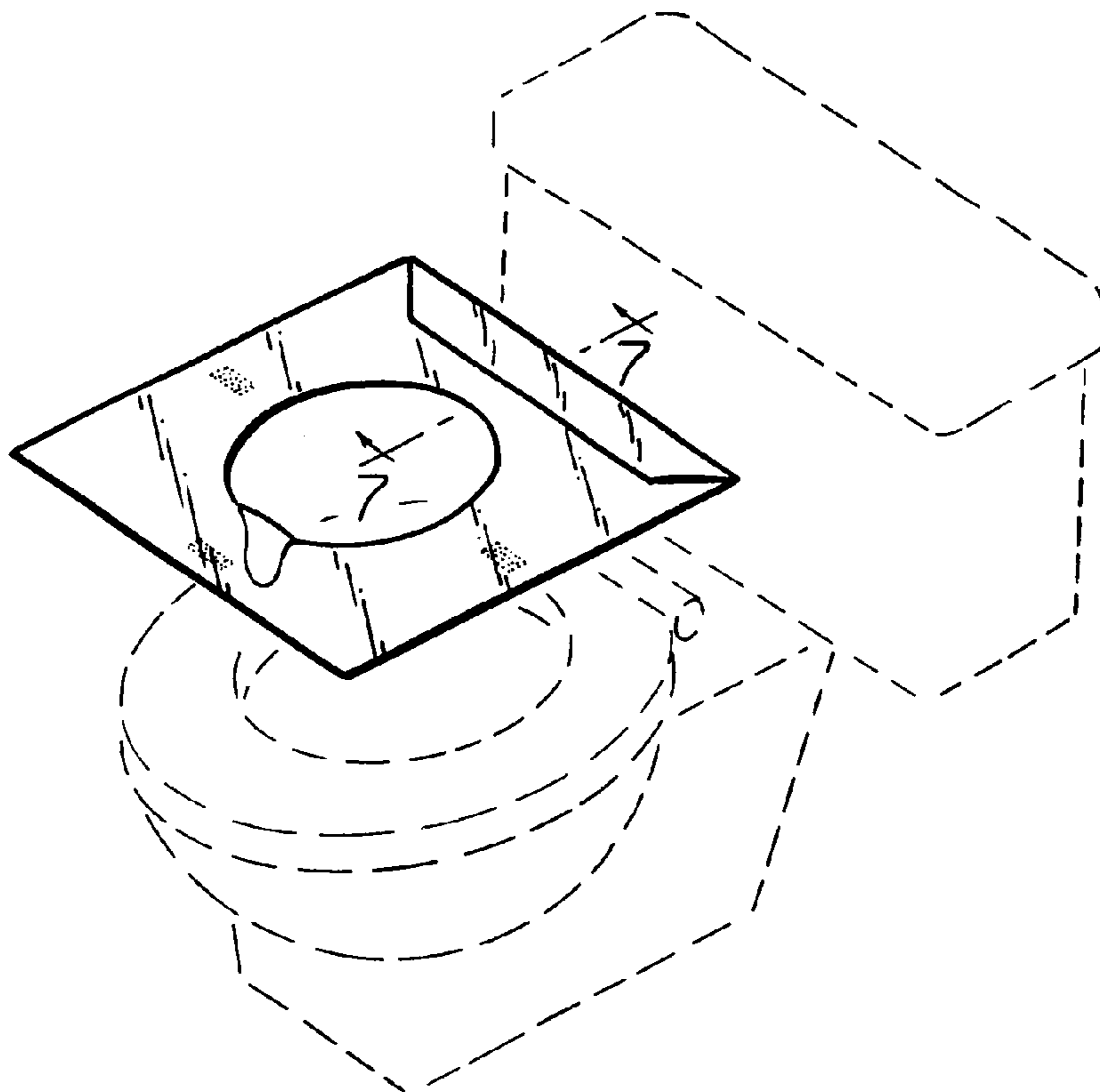
(57) **CLAIM**

The ornamental design for the portable toilet seat cover, as shown and described.

DESCRIPTION

FIG. 1 is a top plan view of a portable toilet seat cover showing my new design;
 FIG. 2 is a bottom plan view thereof;
 FIG. 3 is a top plan view with tissue compartment removed for clarity of illustration;
 FIG. 4 is a top, side perspective view on a reduced scale shown in condition of placement upon a toilet seat, tissue is removed prior to use thereof;
 FIG. 5 is a top side perspective view on a reduced scale shown in condition of use installed on a toilet seat, tissue is removed prior to use thereof;
 FIG. 6 is a sectional view taken along line 6—6 shown in FIG. 5 showing the portable toilet seat cover installed on a toilet seat; and,
 FIG. 7 is a partial sectional view taken along line 7—7, shown in FIG. 4 thereof.
 The broken line showing of a toilet is for illustrative purposes only and forms no part of the claimed design.

1 Claim, 2 Drawing Sheets



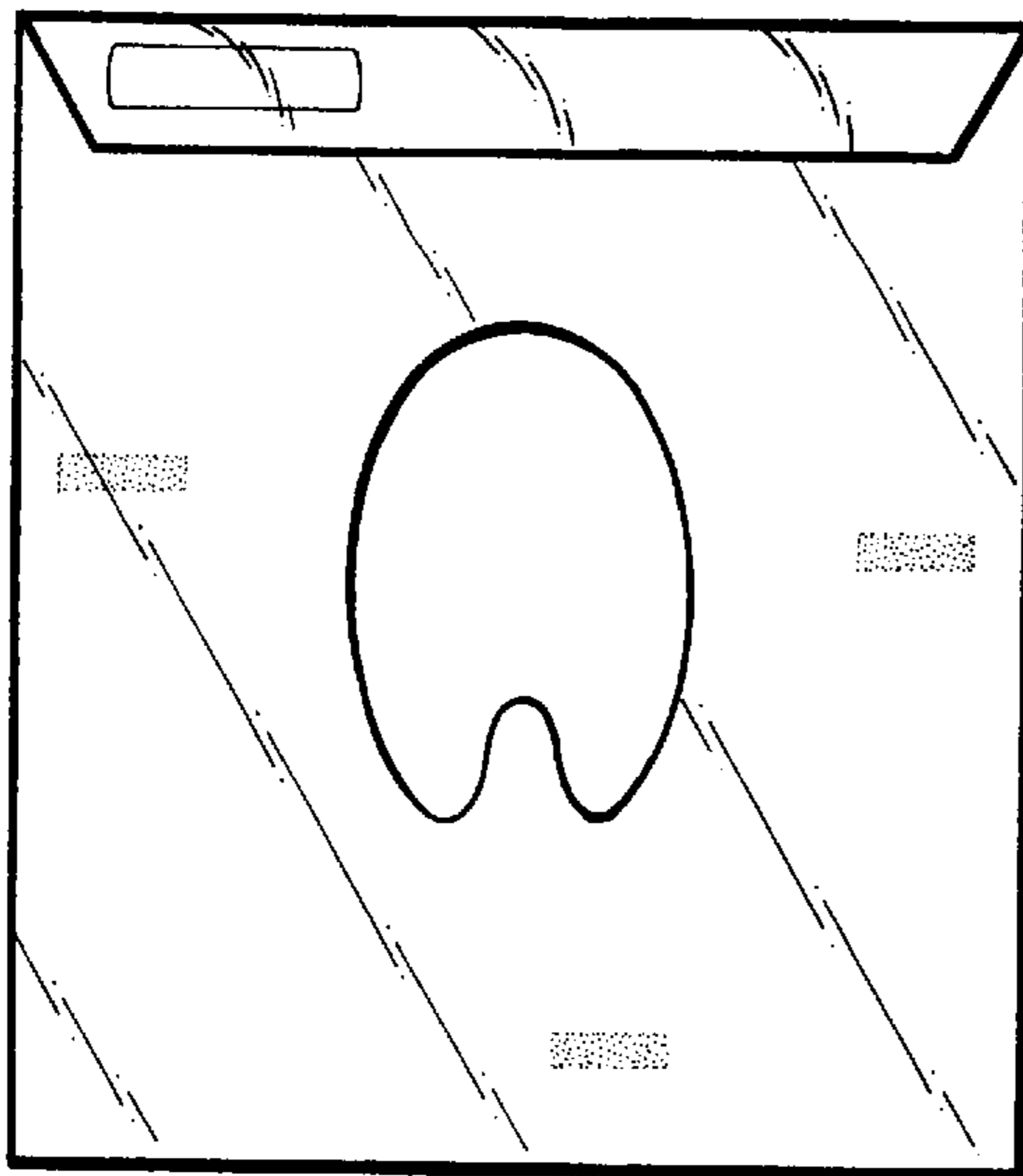


FIG. 1

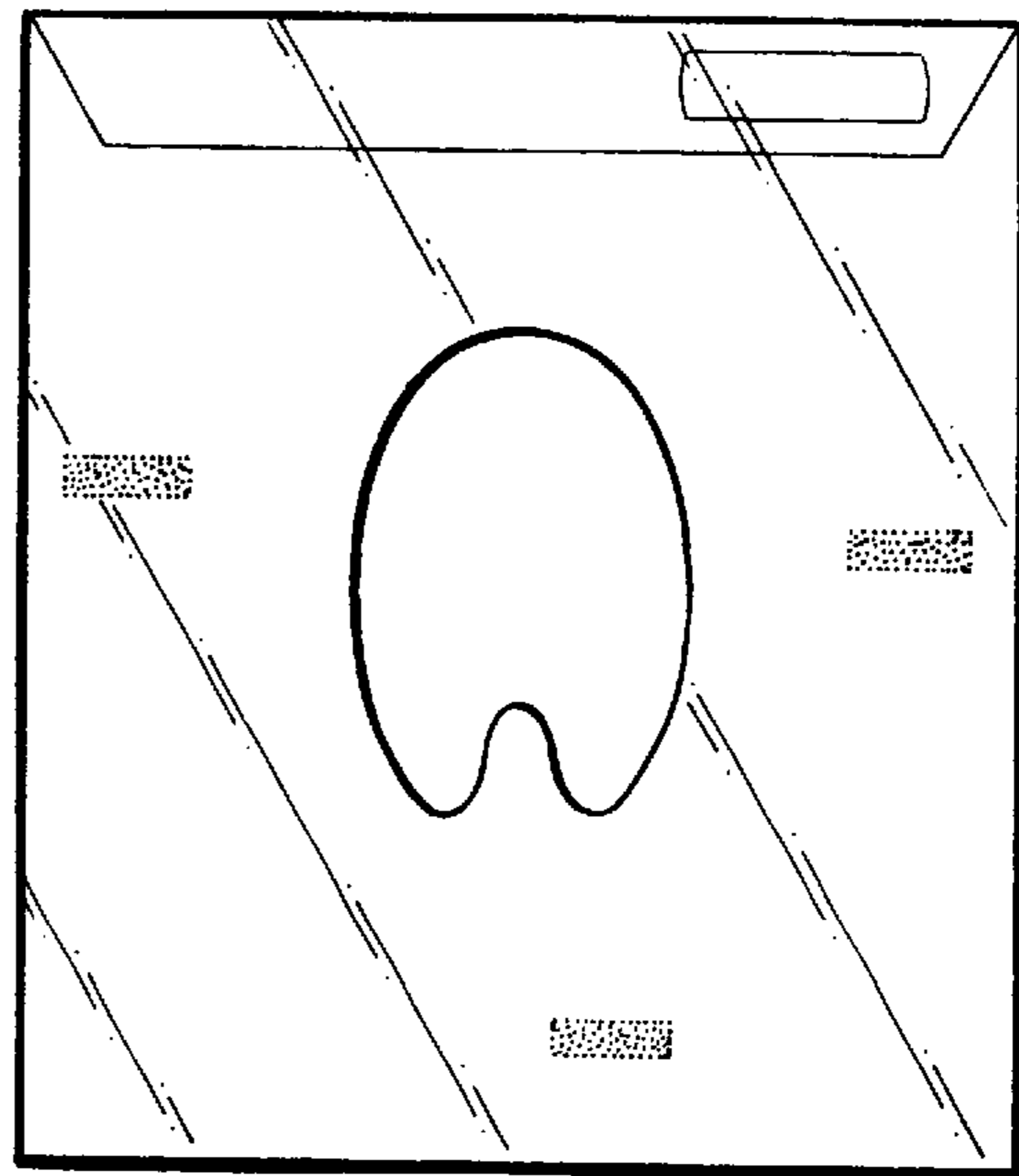


FIG. 2

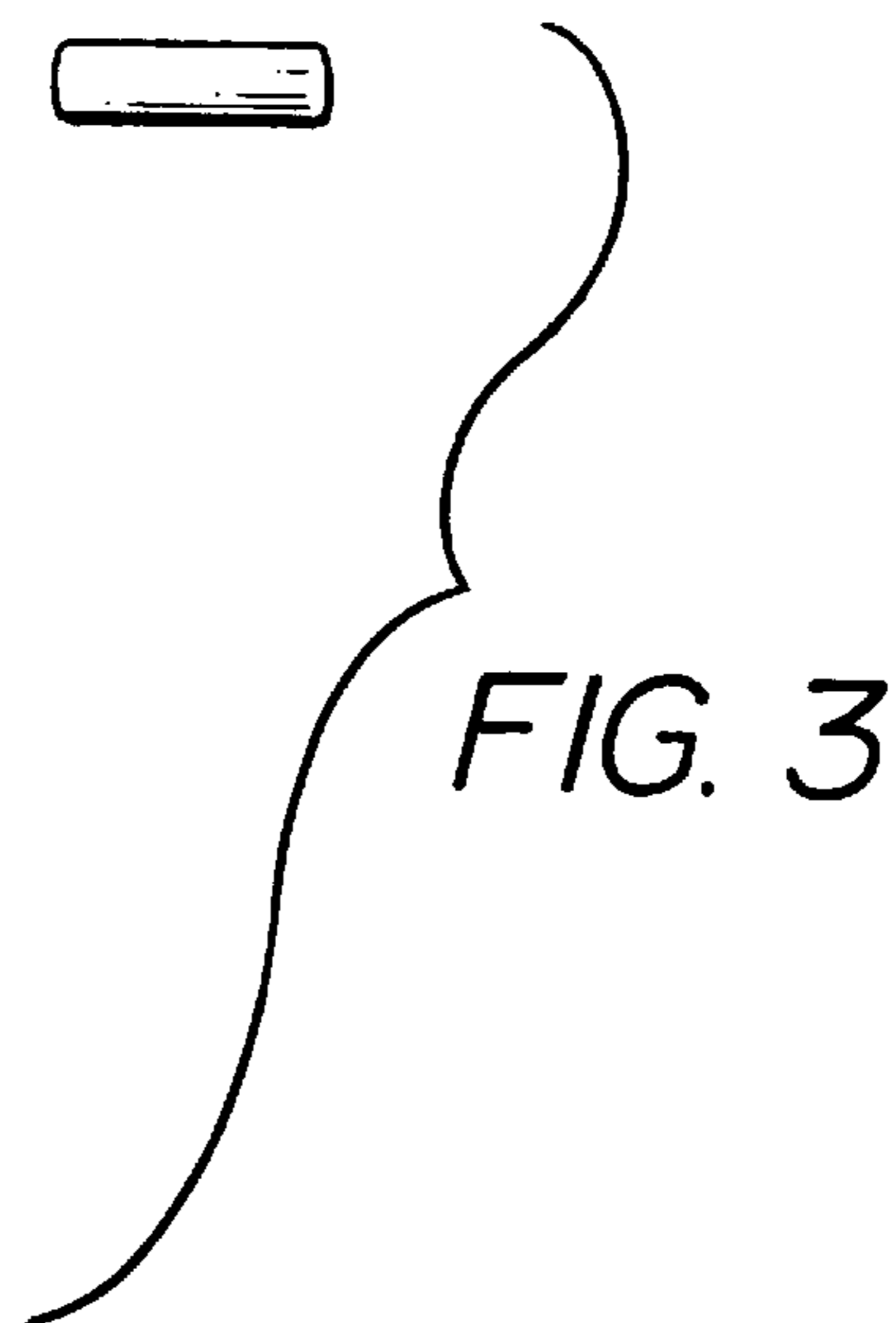
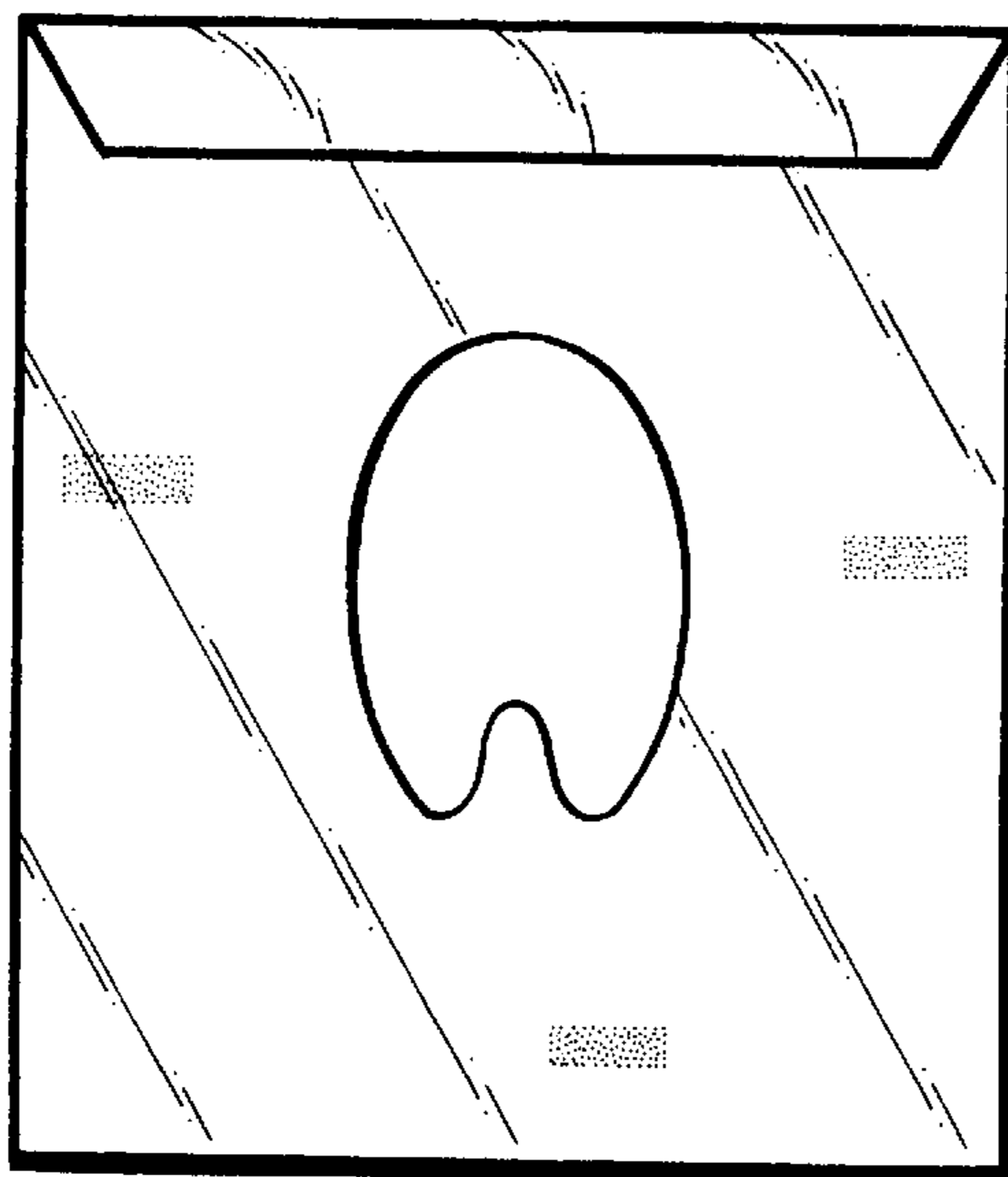


FIG. 3

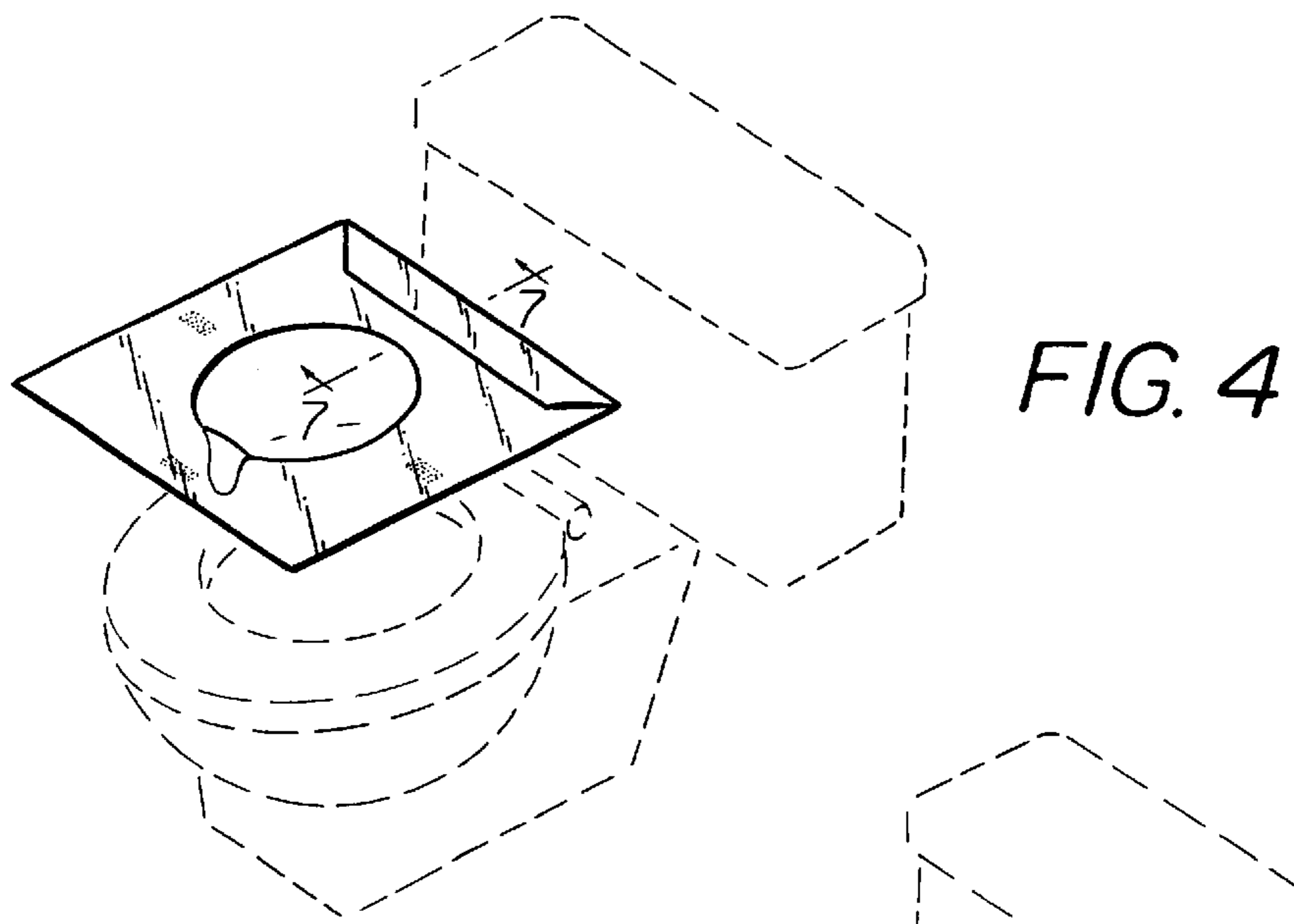


FIG. 4

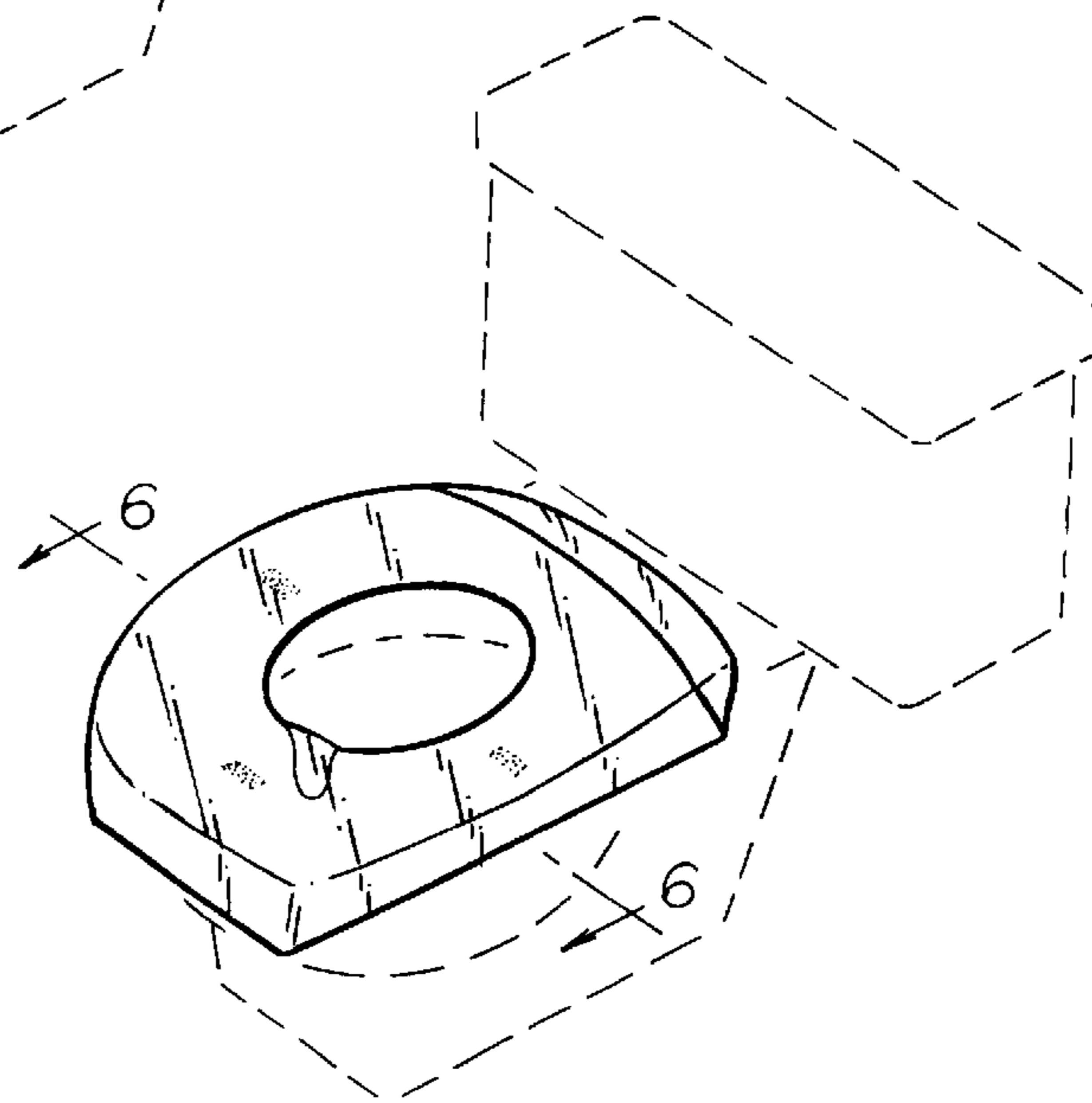


FIG. 5

FIG. 6

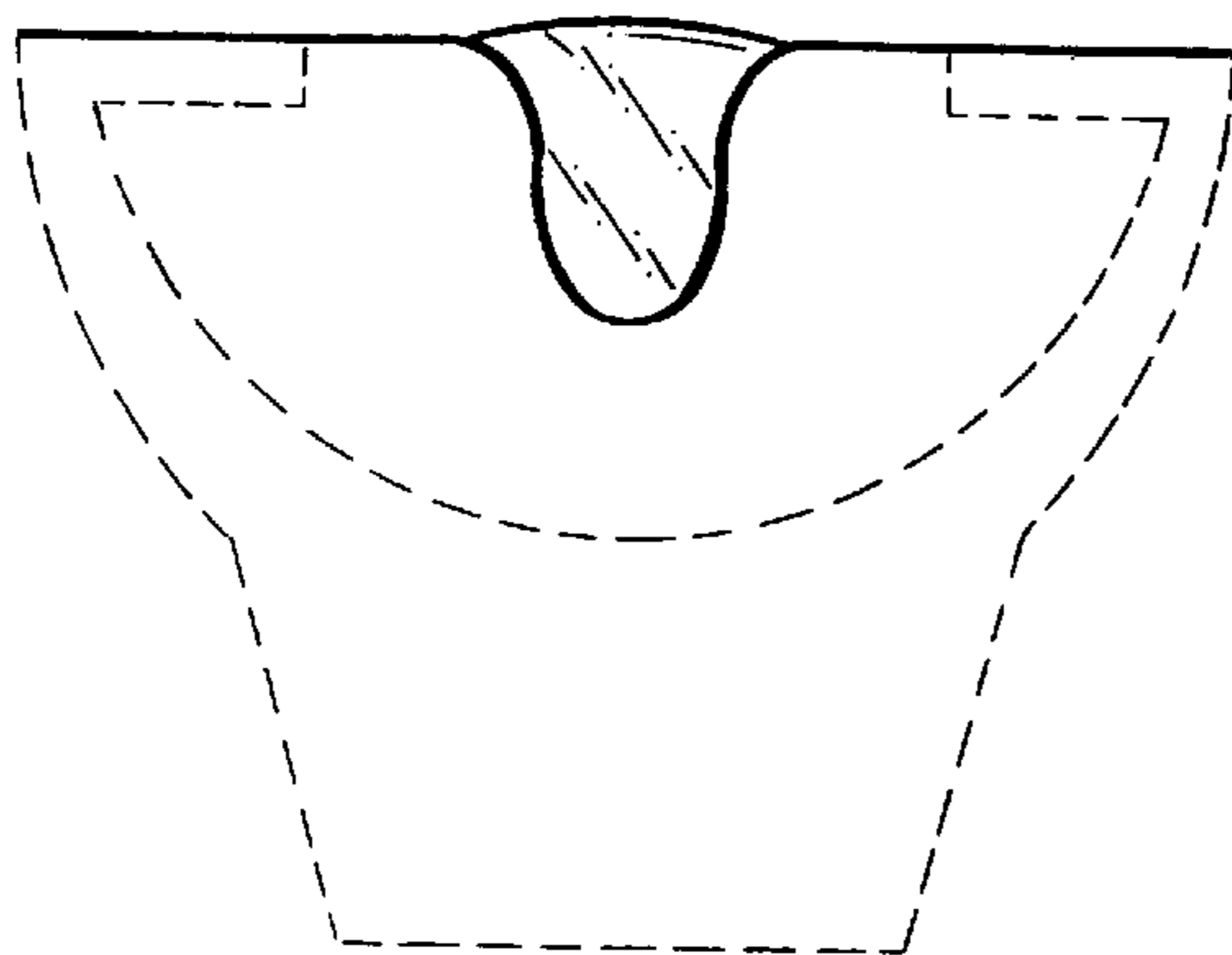


FIG. 7

