



US00D451177B1

(12) **United States Design Patent**  
**Scholpp**

(10) **Patent No.:** **US D451,177 S**

(45) **Date of Patent:** **\*\* Nov. 27, 2001**

(54) **TOILET SEAT**

(75) **Inventor:** **Werner Scholpp, Oberriexingen (DE)**

(73) **Assignee:** **La Difference Vertriebsgesellschaft für innovative Produkte m.b.H., Oberriexingen (DE)**

(\*\*) **Term:** **14 Years**

(21) **Appl. No.:** **29/123,915**

(22) **Filed:** **May 26, 2000**

(51) **LOC (7) Cl.** ..... **23-02**

(52) **U.S. Cl.** ..... **D23/311**

(58) **Field of Search** ..... D23/295, 296,  
D23/297, 311, 312; 4/237, 238, 239, 242.1,  
245.7, 245.8, 300

(56) **References Cited**

**U.S. PATENT DOCUMENTS**

D. 282,964	*	3/1986	Beprestis	.....	D23/311
D. 372,766	*	8/1996	Francke	.....	D23/311
D. 390,931	*	2/1998	Jackson	.....	D23/311
D. 394,498	*	5/1998	Ritzer	.....	D23/311
5,915,845	*	6/1999	Lee	.....	4/237

\* cited by examiner

*Primary Examiner*—Louis S. Zarfaz

*Assistant Examiner*—Robert A. Delehanty

(74) *Attorney, Agent, or Firm*—Pauley Petersen Kinne & Fejer

(57) **CLAIM**

The ornamental design for a toilet seat, as shown.

**DESCRIPTION**

FIG. 1 is a top view of a toilet seat, according to one preferred embodiment of this invention;

FIG. 2 is a bottom view of the toilet seat, as shown in FIG. 1;

FIG. 3 is a front view of the toilet seat, as shown in FIG. 1;

FIG. 4 is a rear view, of the opposite the side view shown in FIG. 3, of the toilet seat, as shown in FIG. 1;

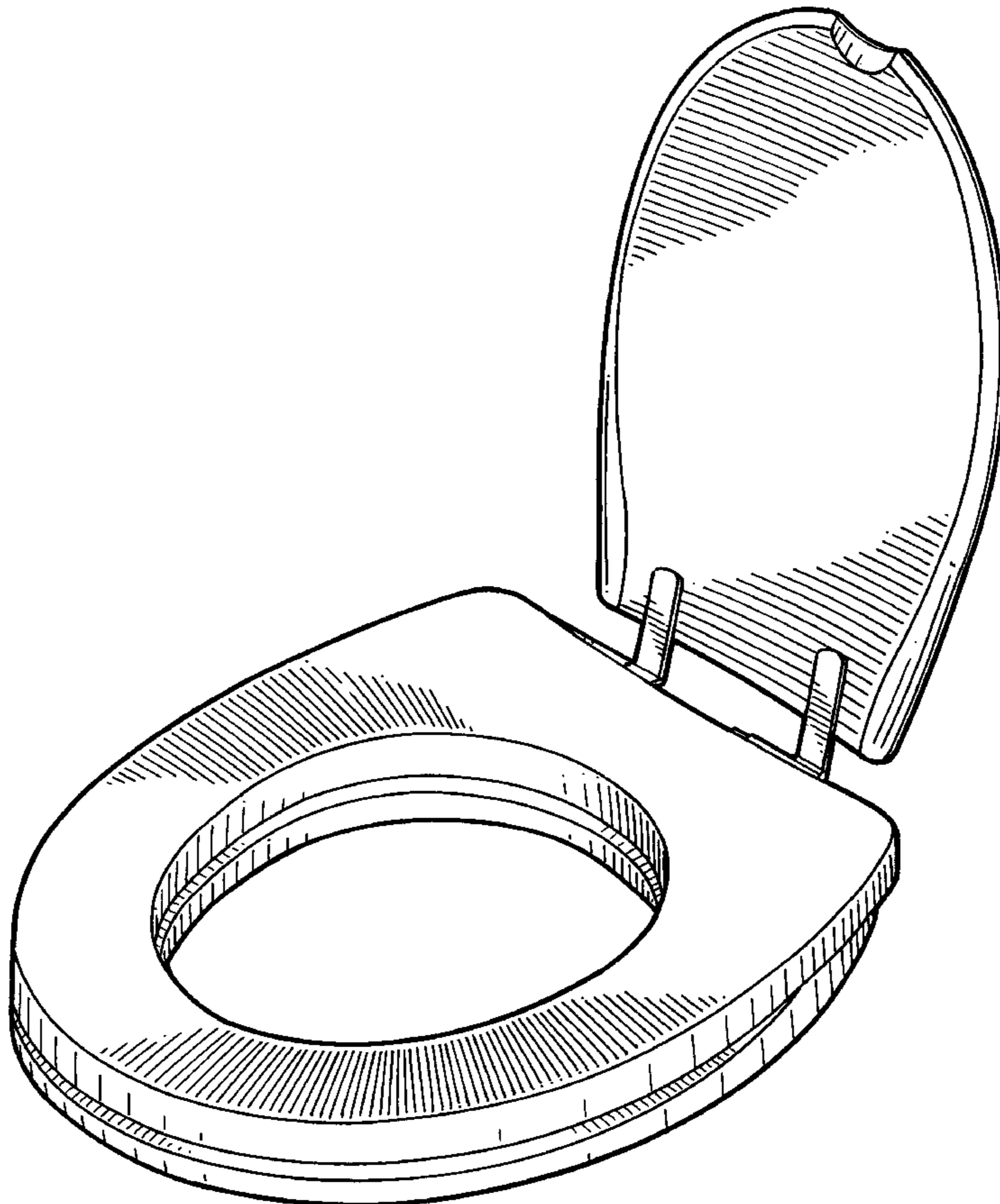
FIG. 5 is a side view of the toilet seat, as shown in FIG. 1;

FIG. 6 is a perspective view of the toilet seat, as shown in FIG. 1;

FIG. 7 is a perspective view of the toilet seat, as shown in FIG. 1, in a first open position; and,

FIG. 8 is a perspective view of the toilet seat, as shown in FIG. 1, in a second open position.

**1 Claim, 7 Drawing Sheets**



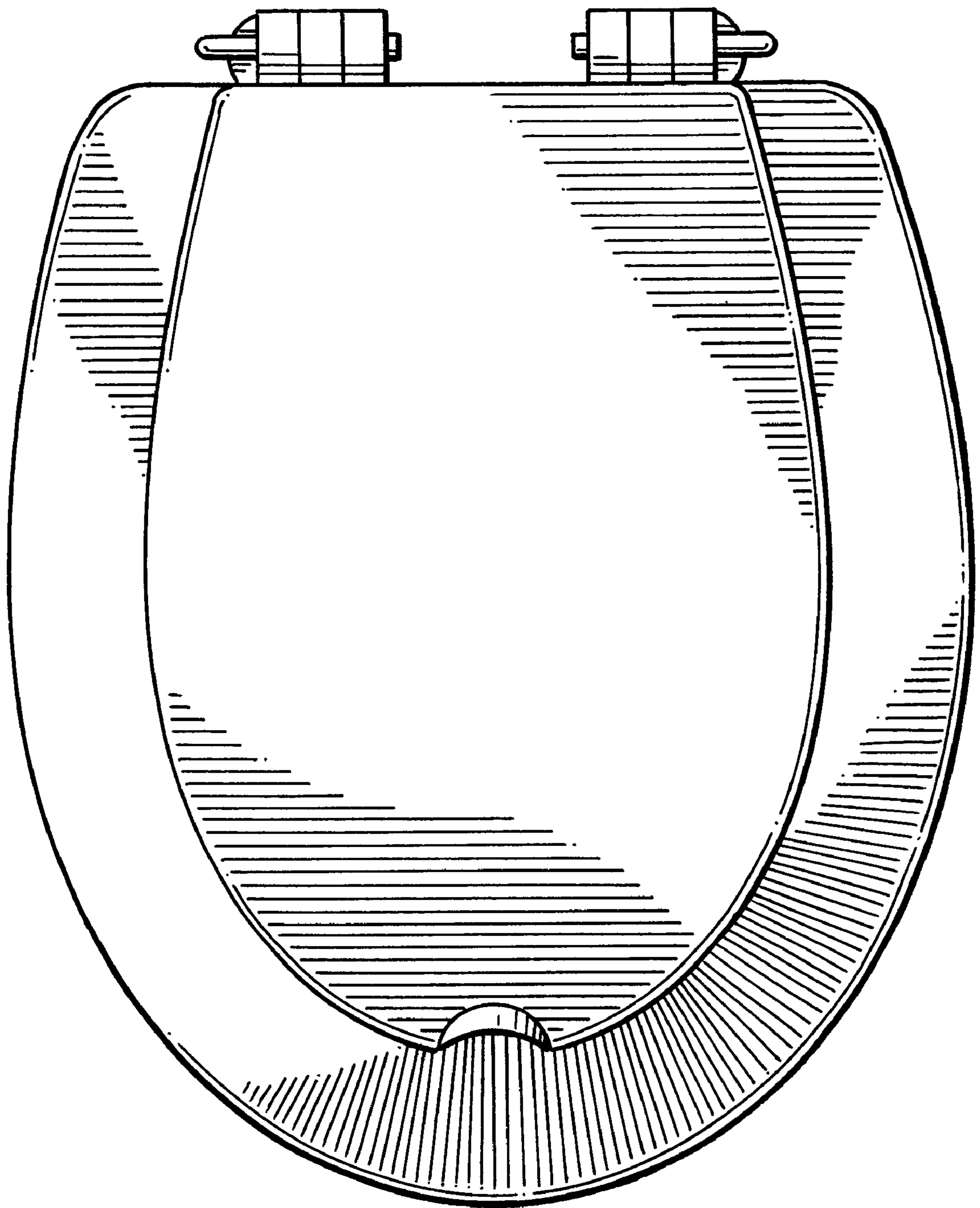


FIG. 1

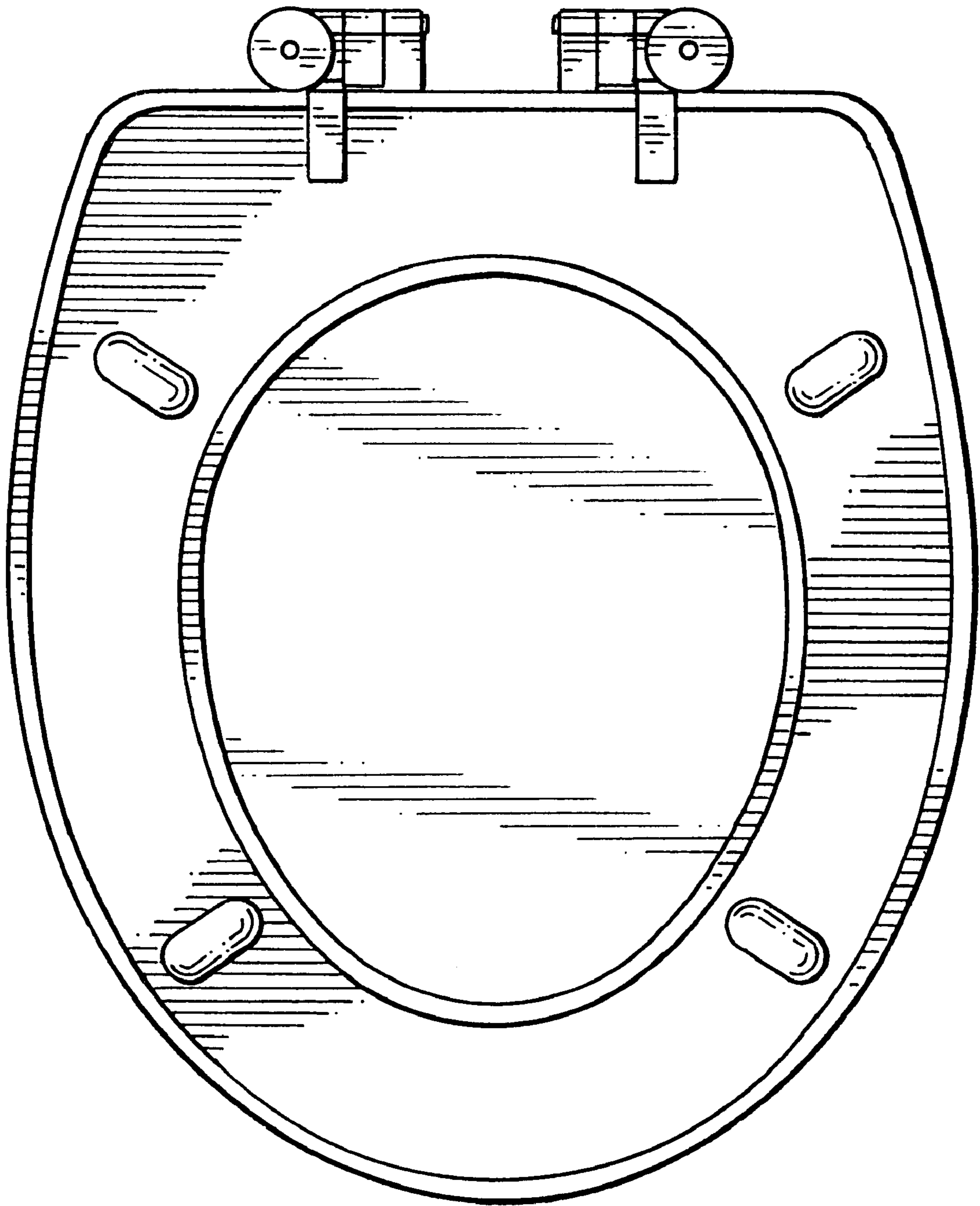


FIG. 2

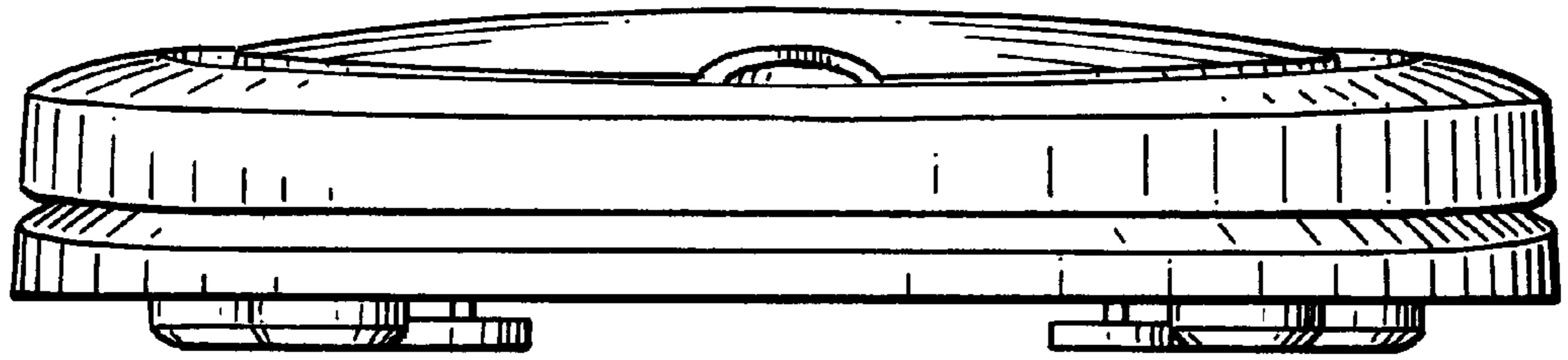


FIG. 3

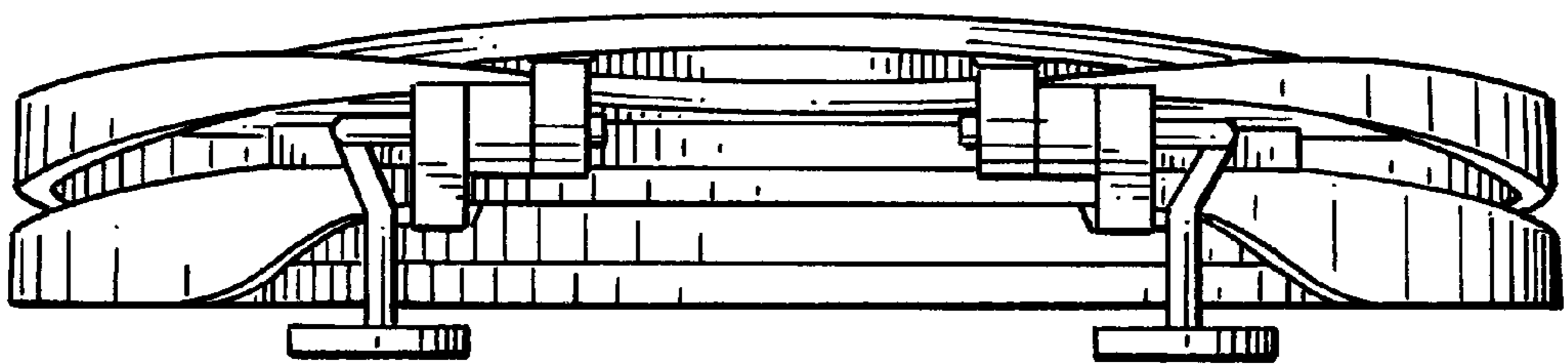


FIG. 4

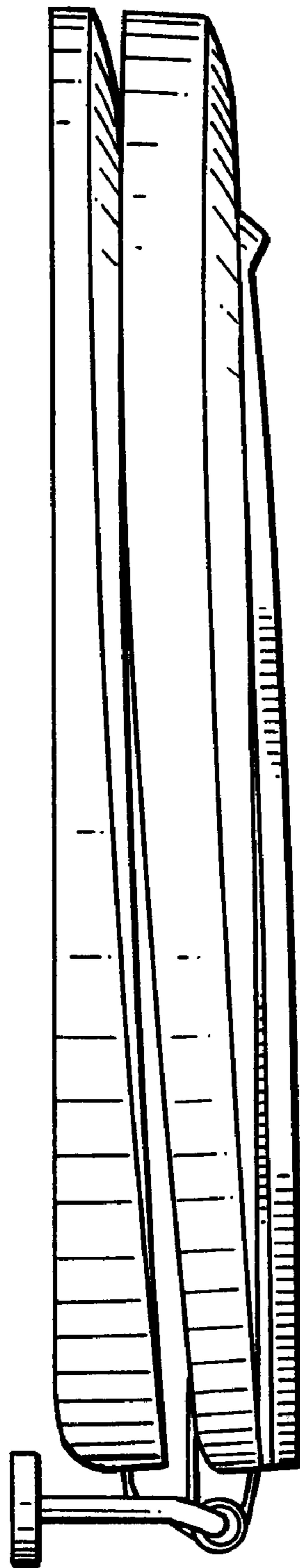


FIG. 5

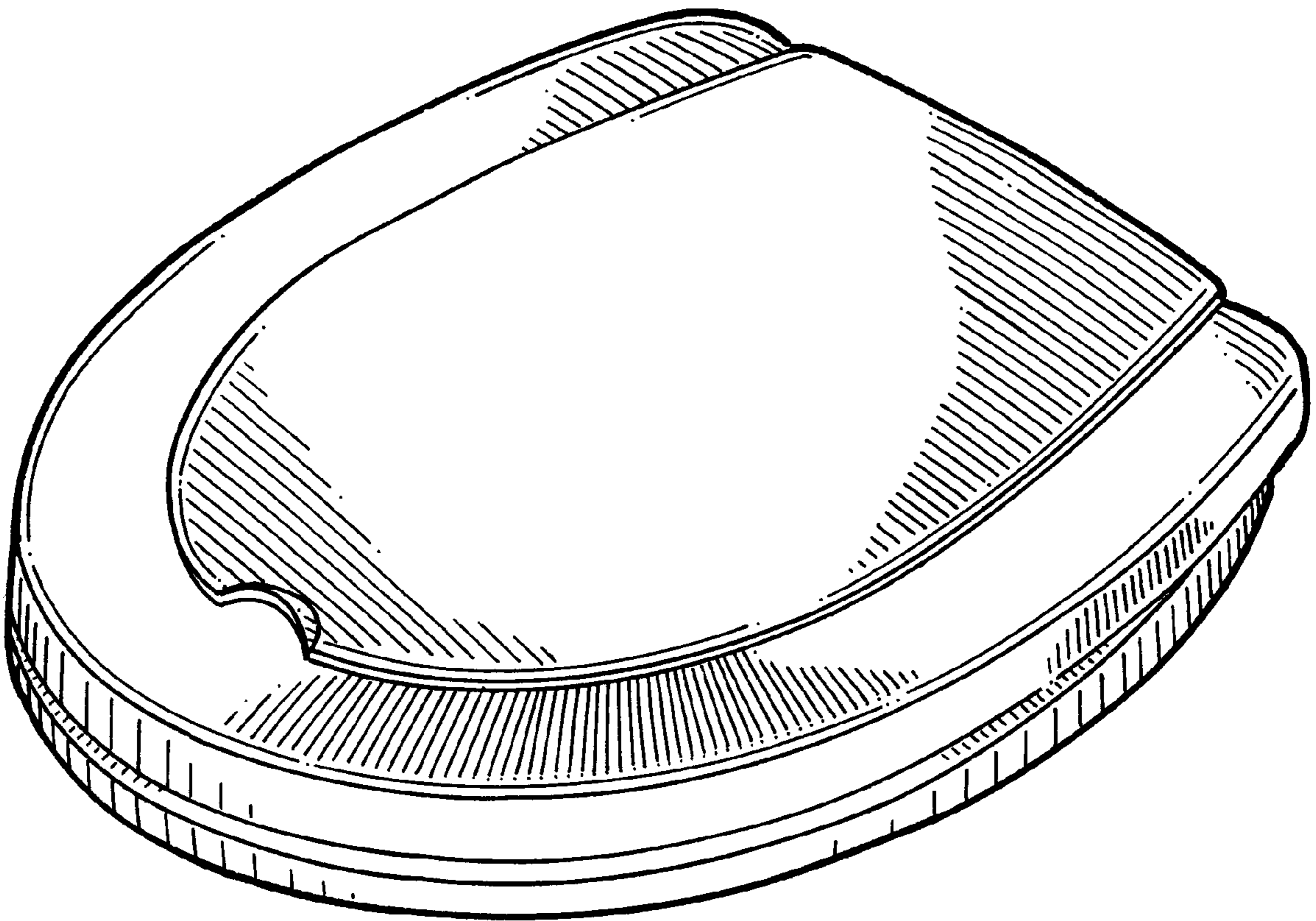


FIG. 6

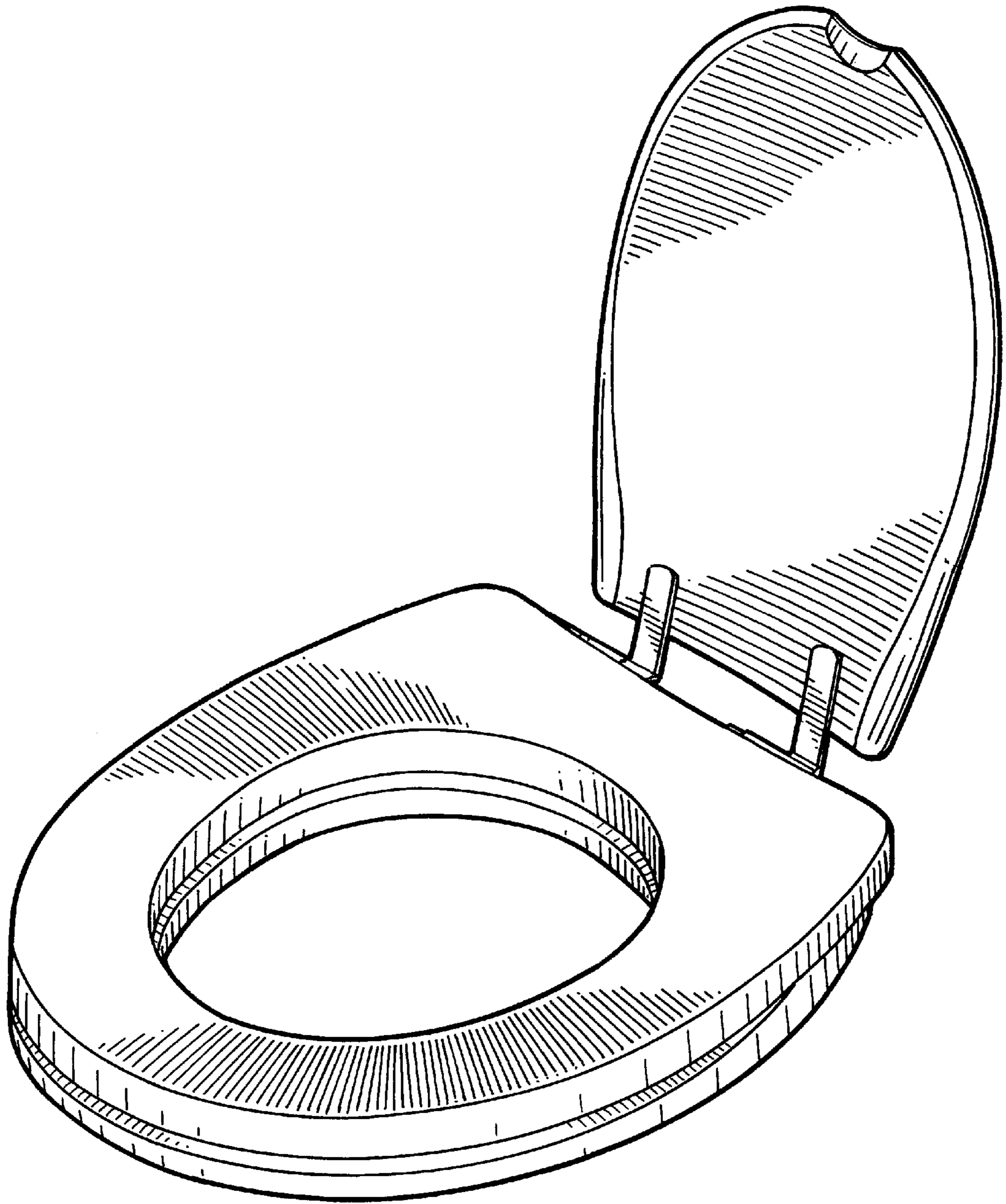


FIG. 7

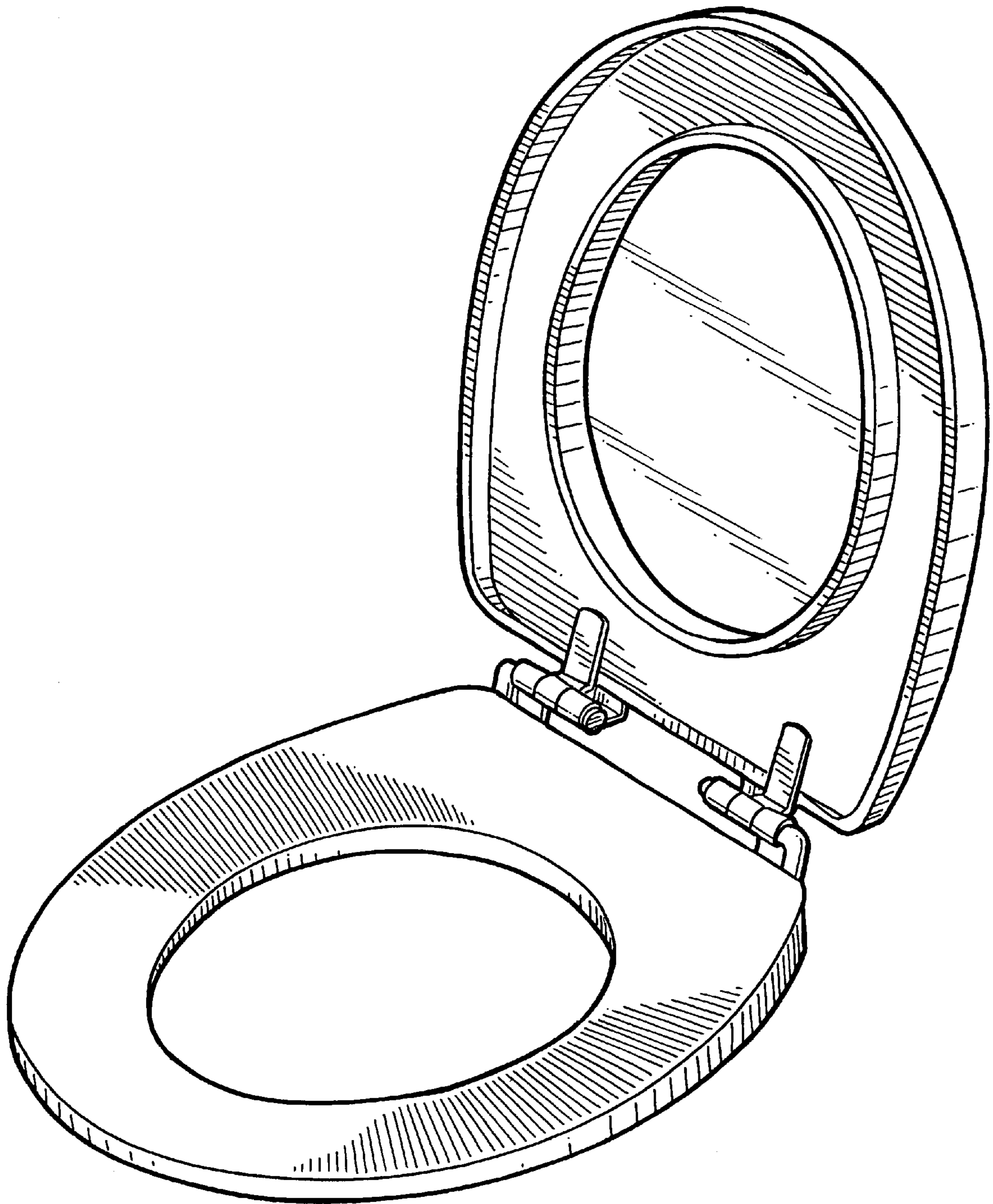


FIG. 8