



US00D451176B1

(12) **United States Design Patent**
Millard et al.

(10) **Patent No.:** **US D451,176 S**

(45) **Date of Patent:** **** Nov. 27, 2001**

(54) **STAND**

(75) Inventors: **Theresa J. Millard**, Sheboygan Falls;
Mary J. Reid, Sheboygan, both of WI
(US)

(73) Assignee: **Kohler Co.**, Kohler, WI (US)

(**) Term: **14 Years**

(21) Appl. No.: **29/143,896**

(22) Filed: **Jun. 21, 2001**

Related U.S. Application Data

(62) Division of application No. 29/121,407, filed on Apr. 6,
2000, now Pat. No. Des. 444,867.

(51) **LOC (7) Cl.** **23-02**

(52) **U.S. Cl.** **D23/308**

(58) **Field of Search** D23/270-274,
D23/284-286, 289, 293.1, 303, 308; 4/619,
630-632, 638, 640, 643; D6/396-397, 405,
480, 574; 108/24, 156, 161

(56) **References Cited**

U.S. PATENT DOCUMENTS

- D. 226,562 * 3/1973 Zakaski D23/271
- D. 319,551 * 9/1991 Lewis D6/450
- D. 415,260 * 10/1999 Jones D23/284

OTHER PUBLICATIONS

Acanthus, Fig. 2, p. 2 and Honeysuckle, Fig. 191, p. 167:
Architectural and Building Trades Dictionary, 1950.*

Items #1344, 1345, 1348: Catalog of Ornamental Ironwork,
Tennessee Fabricating Co., c. 1951.*

Marble Console with Legs, p. 5, Buyline 6864, Kitchen &
Bath Source Book, 1996/97.*

Porcher catalog ad showing a "Lutece" vanity top, 1983.*

Kohler catalog ad, p. 46 showing a "Valcour" lavatory,
undated.*

Kohler catalog ad, p. 232-A, showing a "Deauville" dress-
ing table, 1929.*

* cited by examiner

Primary Examiner—Louis S. Zarfes

Assistant Examiner—Robert A Delehanty

(74) *Attorney, Agent, or Firm*—Quarles & Brady LLP

(57) **CLAIM**

The ornamental design for a stand, as shown and described.

DESCRIPTION

In a preferred embodiment, the nature of this product is as
a pedestal primarily useful for mounting a plumbing fixture
such as a lavatory.

FIG. 1 is a left, top, front perspective view of a stand
embodying our new design;

FIG. 2 is a front elevational view thereof;

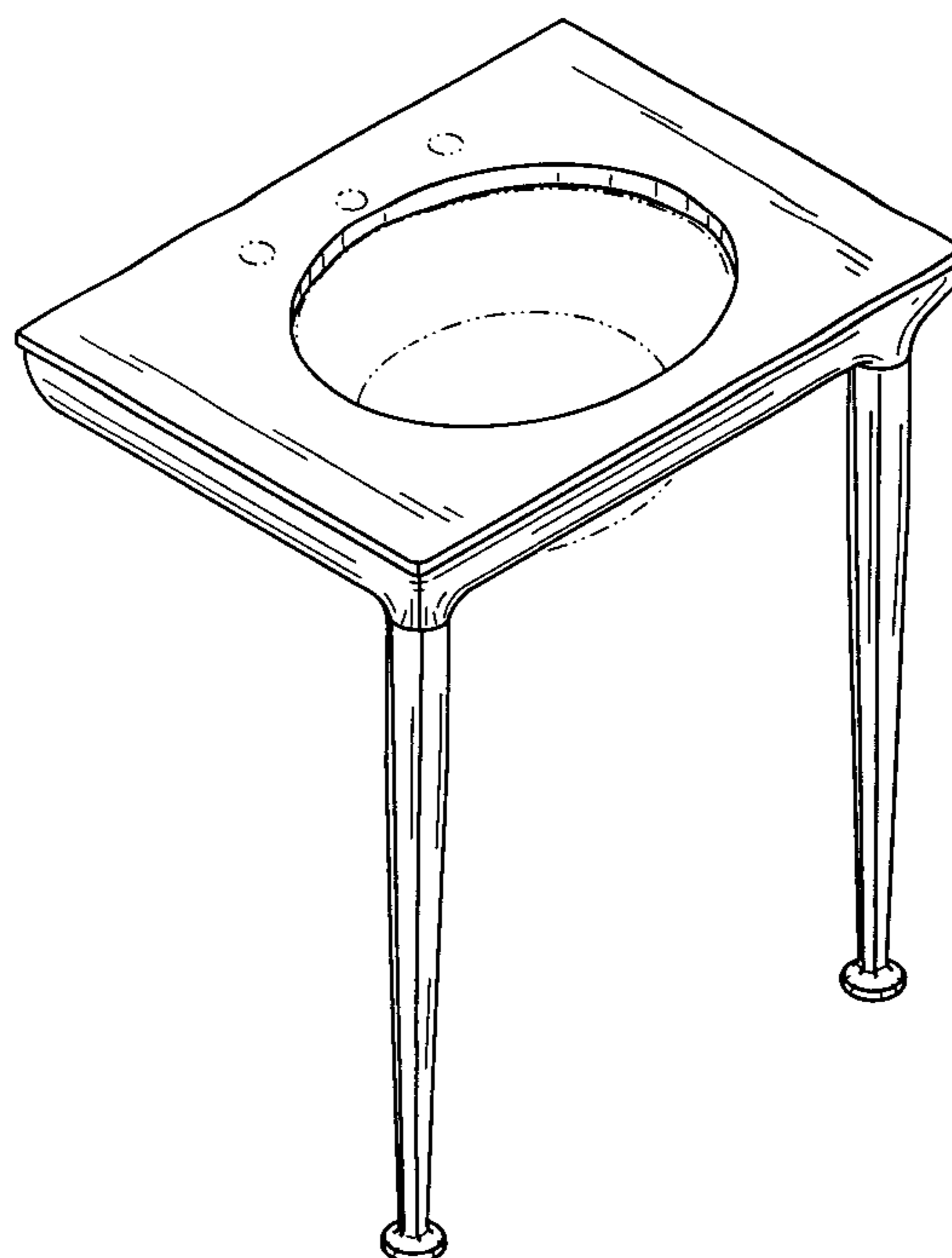
FIG. 3 is a left side elevational view thereof, the right side
elevational view being a mirror image of the left side shown;

FIG. 4 is a top plan view thereof; and,

FIG. 5 is a bottom plan view thereof.

The broken line representations of holes in FIGS. 1, 4, and
5, of a lavatory bowl in FIGS. 1-3 and 5, and of support
structure in FIG. 5, are for the purpose of illustration only,
and form no part of the claimed design.

1 Claim, 3 Drawing Sheets



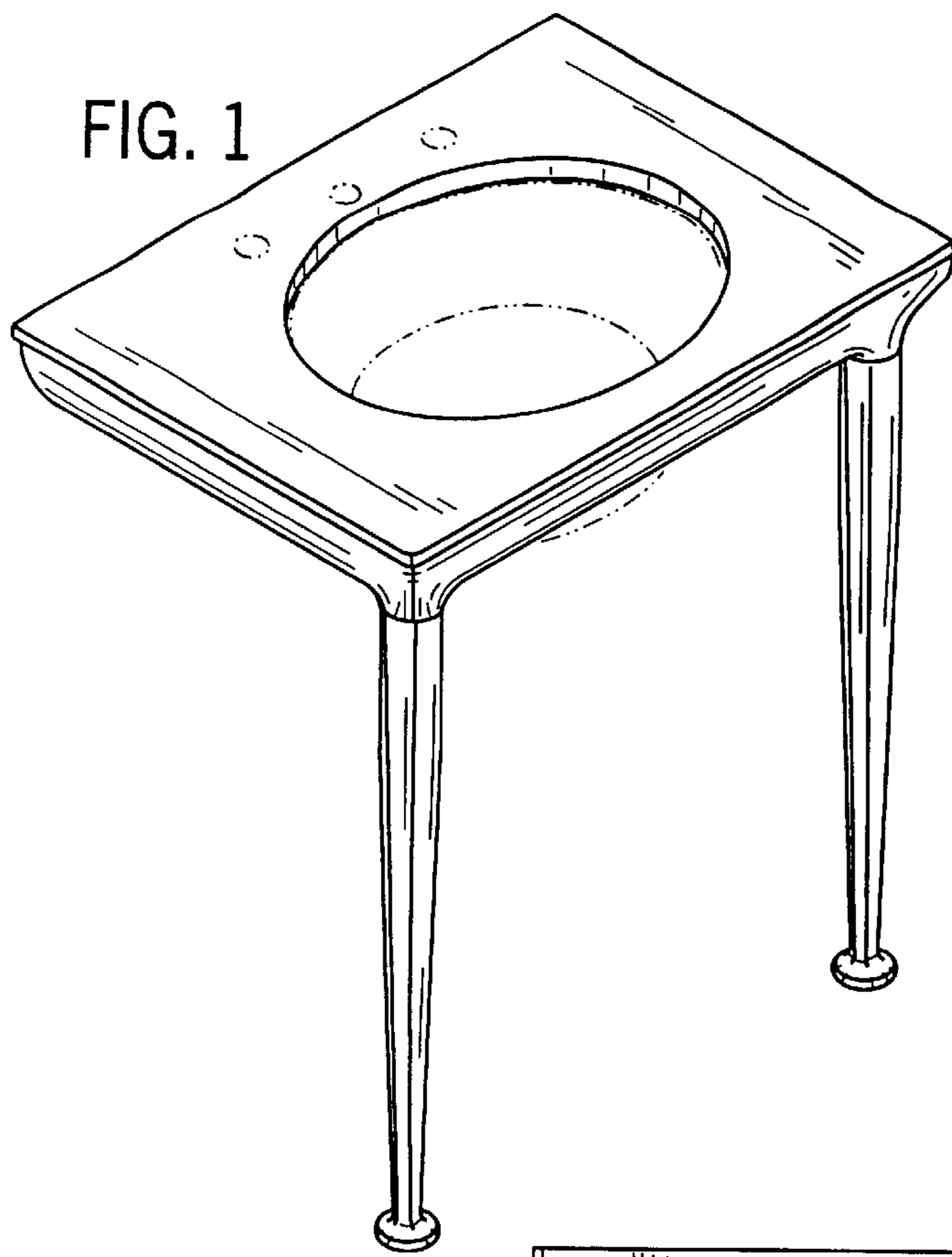


FIG. 2

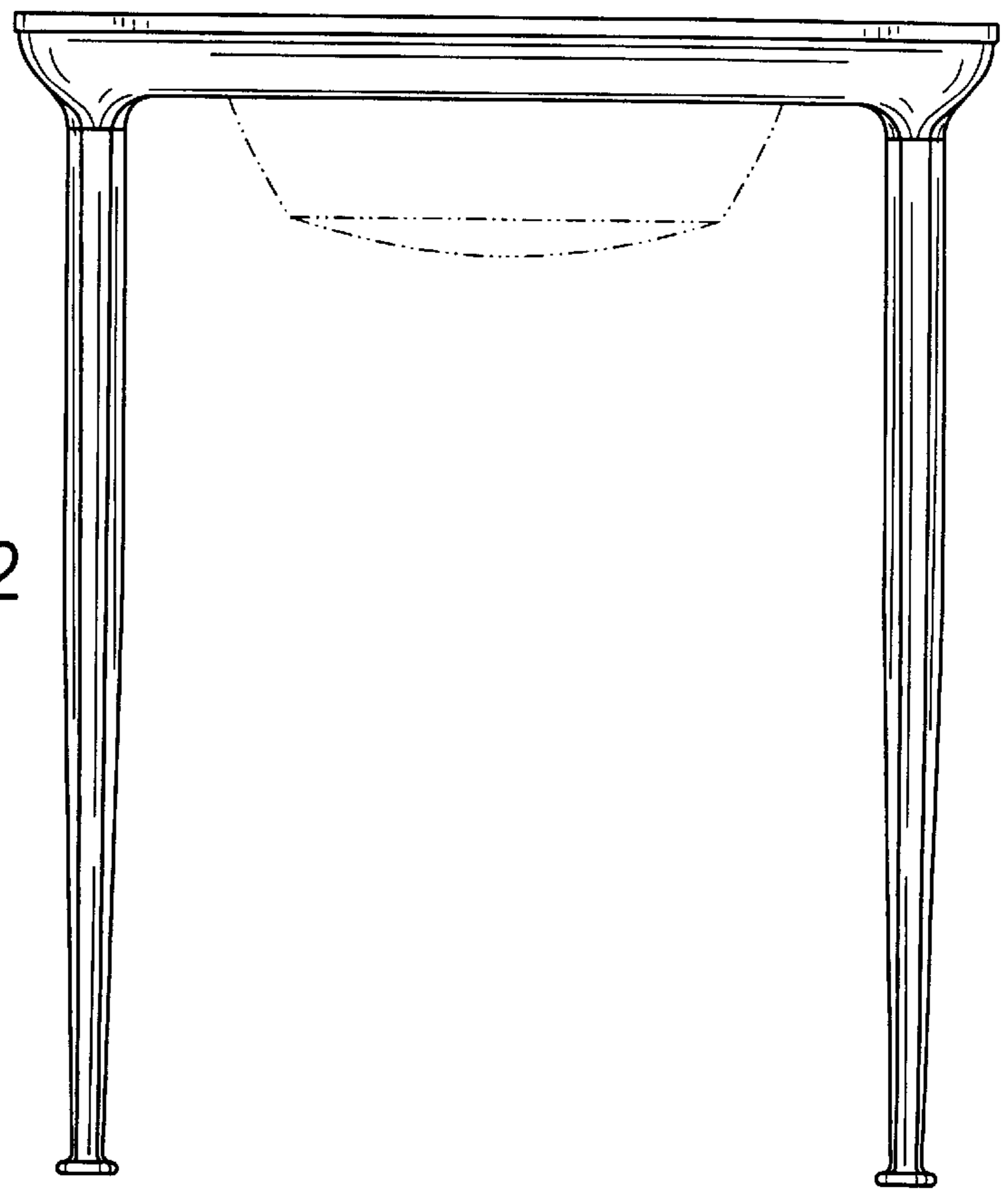


FIG. 3

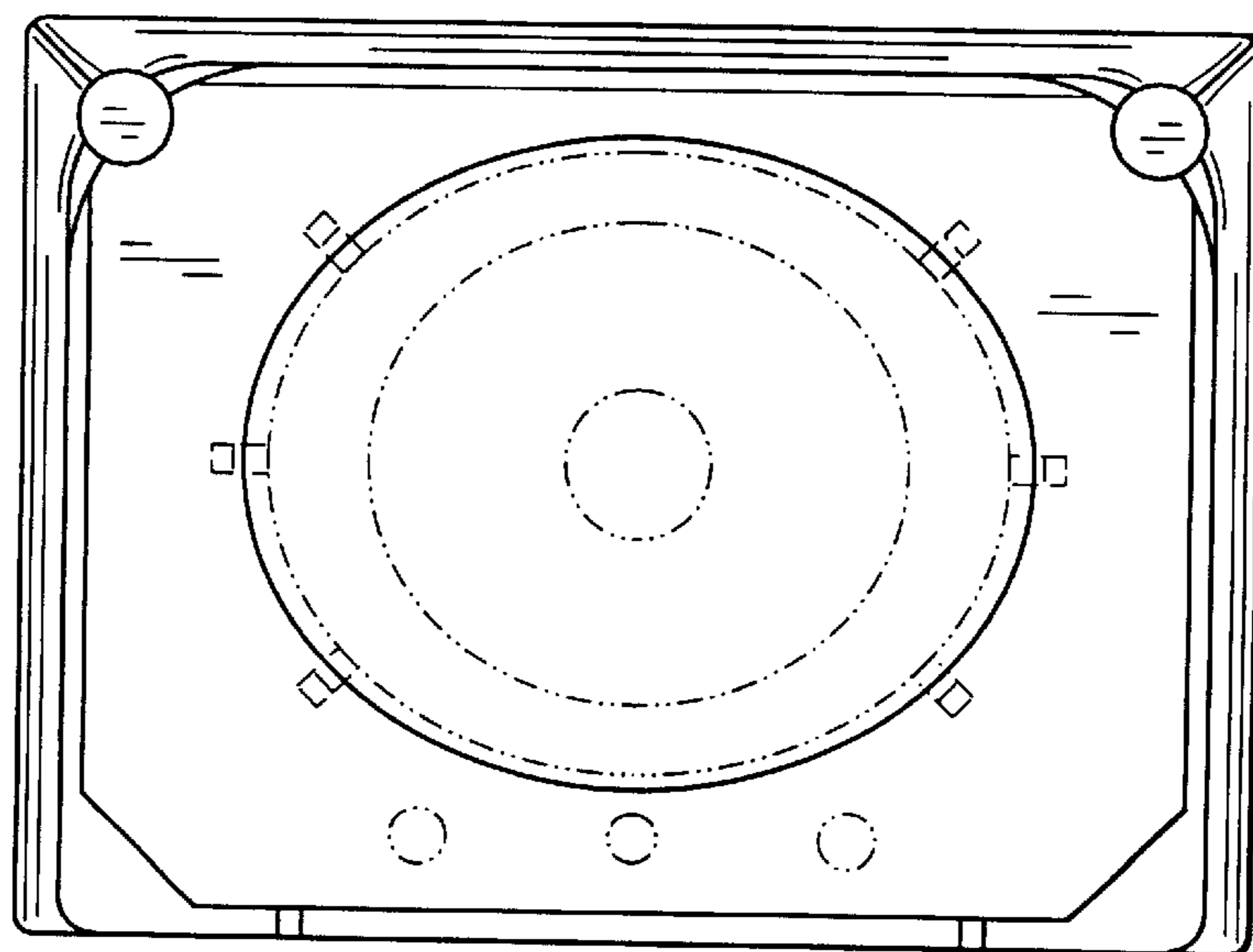
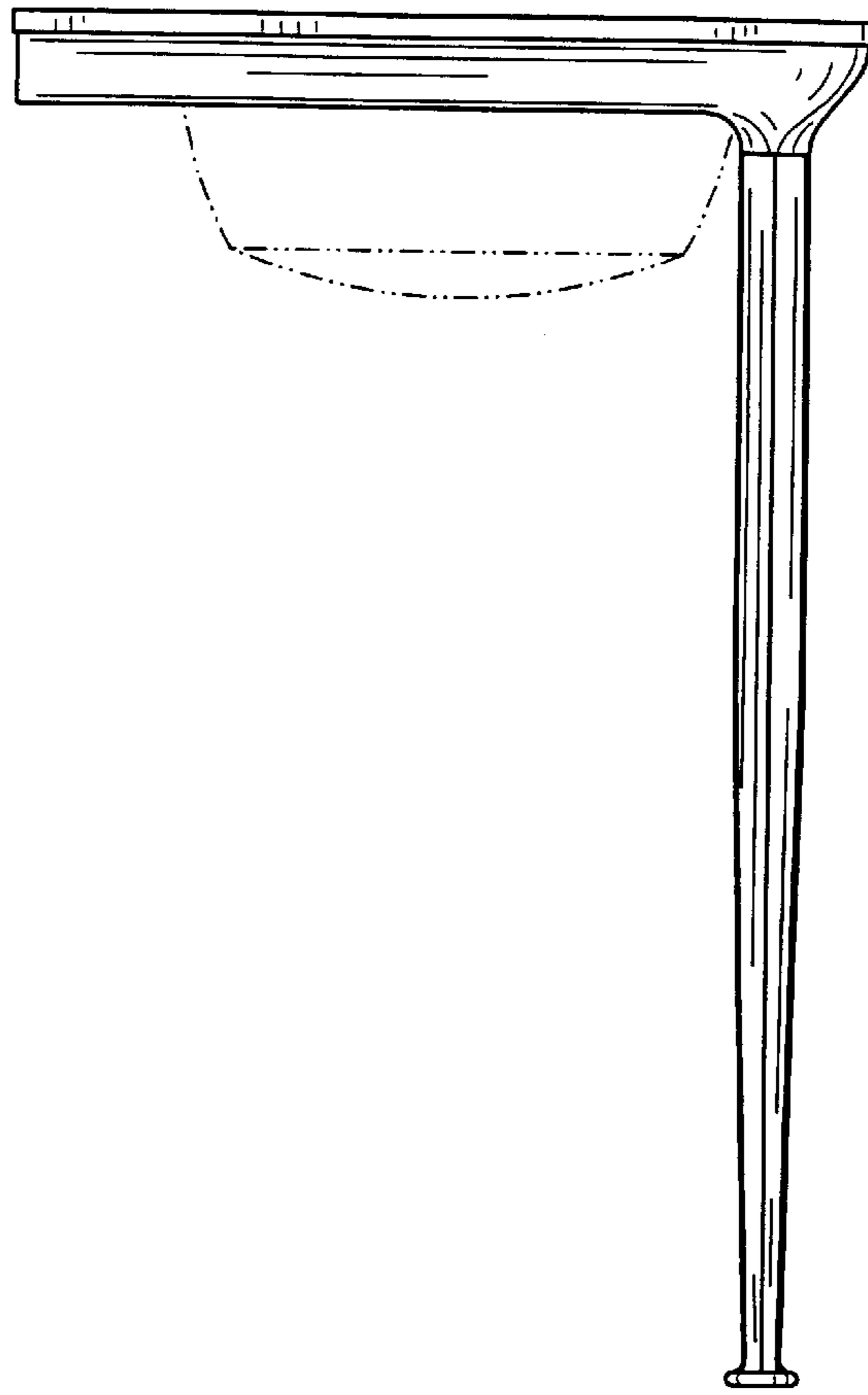


FIG. 5

FIG. 4

