



US00D451175B1

(12) **United States Design Patent**
Smith

(10) **Patent No.:** **US D451,175 S**

(45) **Date of Patent:** **** Nov. 27, 2001**

(54) **WATER CLOSET**

(75) Inventor: **Michael S. Smith**, Santa Monica, CA (US)

(73) Assignee: **Kallista, Inc.**, Kohler, WI (US)

(**) Term: **14 Years**

(21) Appl. No.: **29/121,346**

(22) Filed: **Apr. 5, 2000**

(51) **LOC (7) Cl.** **23-02**

(52) **U.S. Cl.** **D23/301**

(58) **Field of Search** D23/270-271,
D23/295-301, 303-313; 4/667, 300, 300.1,
328, 329, 340-342, 353-354, 364, 365,
416, 419, 420, 420.2, 420.3, 420.4, 420.5,
443, 446, 449, DIG. 15

(56) **References Cited**

U.S. PATENT DOCUMENTS

- D. 83,588 * 3/1931 Weaver D23/313
- D. 415,563 * 10/1999 McKeone D23/301
- D. 441,437 * 5/2001 McKeone D23/301

OTHER PUBLICATIONS

Undated Kohler catalog ad, p. 15.12, showing a "Memoirs" toilet.

Undated Kohler catalog ad, p. 6.13, showing a "Portrait" toilet.

* cited by examiner

Primary Examiner—Louis S. Zarfes

Assistant Examiner—Robert A. Delehanty

(74) *Attorney, Agent, or Firm*—Quarles & Brady LLP

(57) **CLAIM**

The ornamental design for a water closet, as shown and described.

DESCRIPTION

In a preferred embodiment, the nature of this product is as a plumbing fixture primarily useful for receiving the liquid and solid waste of human.

FIG. 1 is a left, top, front perspective view of a water closet embodying my new design;

FIG. 2 is a front elevational view thereof;

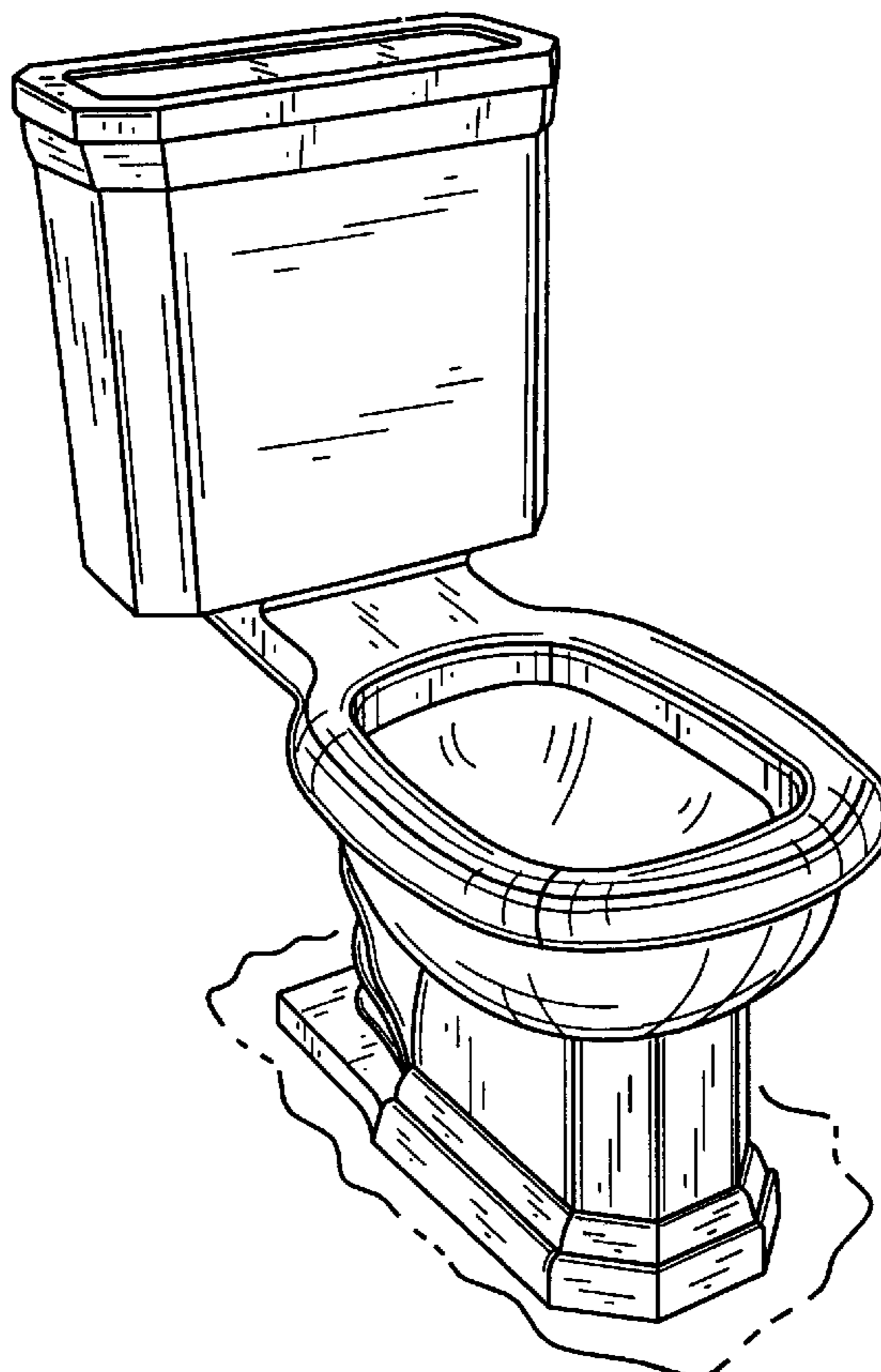
FIG. 3 is a top plan view thereof;

FIG. 4 is a right side elevational view thereof, the left side elevational view being a mirror image of the right side shown; and,

FIG. 5 is a rear elevational view thereof.

The broken line representations of a mounting environment in FIG. 1, and of a hole in FIGS. 1 and 2, are for the purpose of illustration only, and form no part of the claimed design.

1 Claim, 2 Drawing Sheets



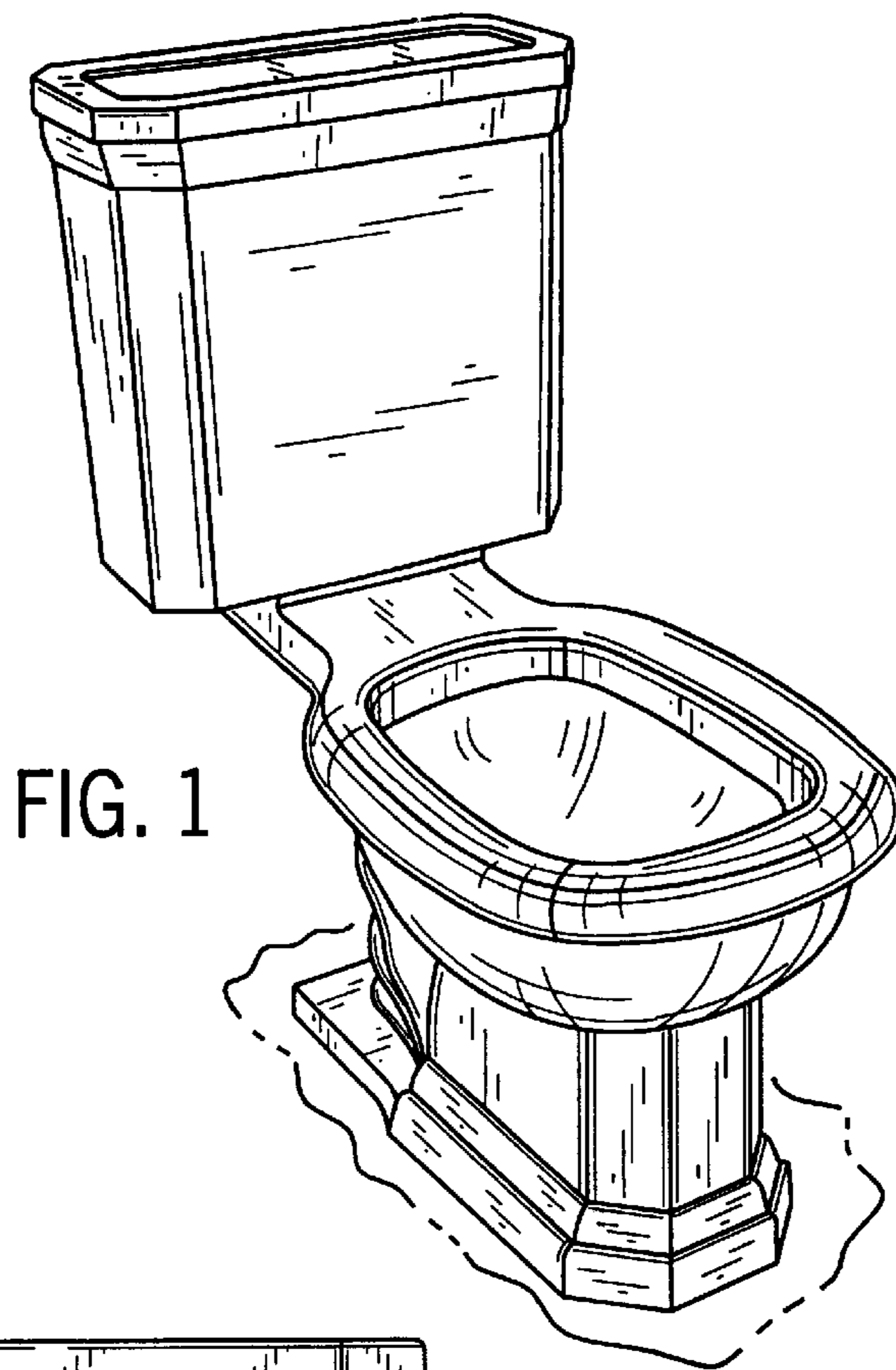


FIG. 1

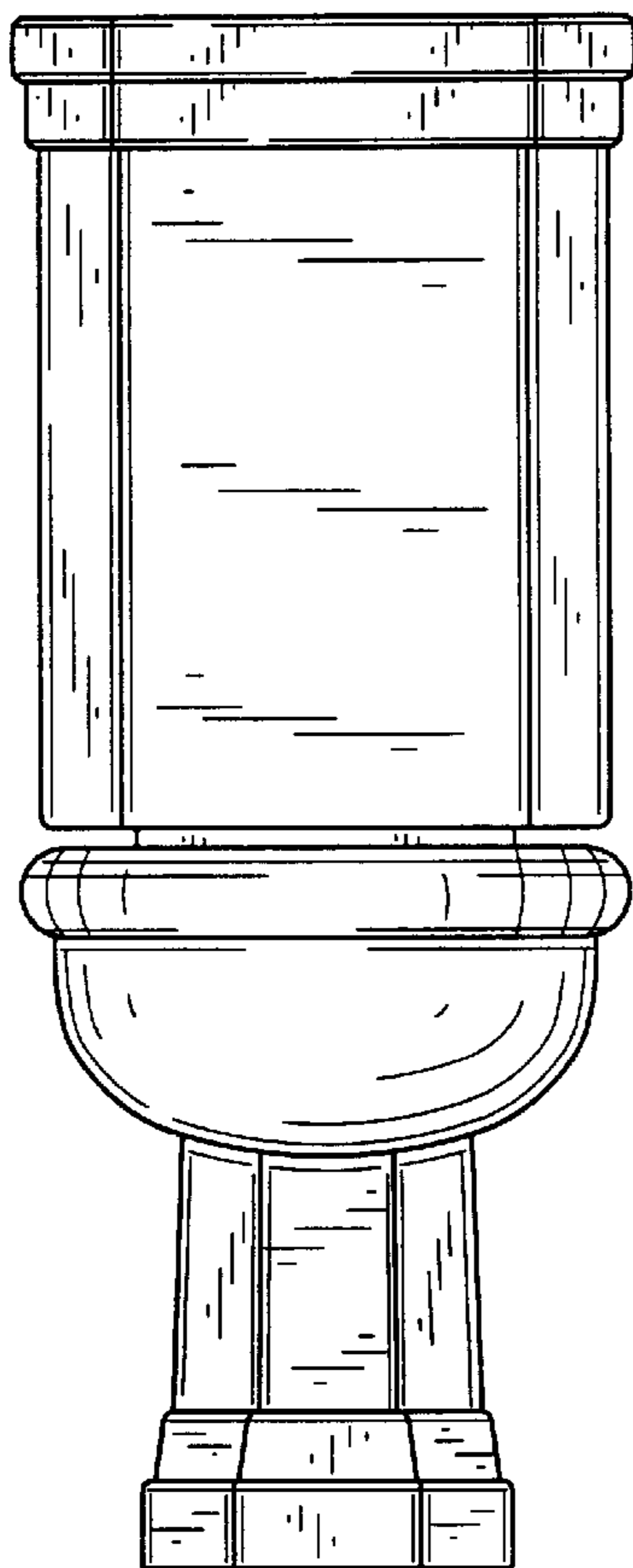


FIG. 2

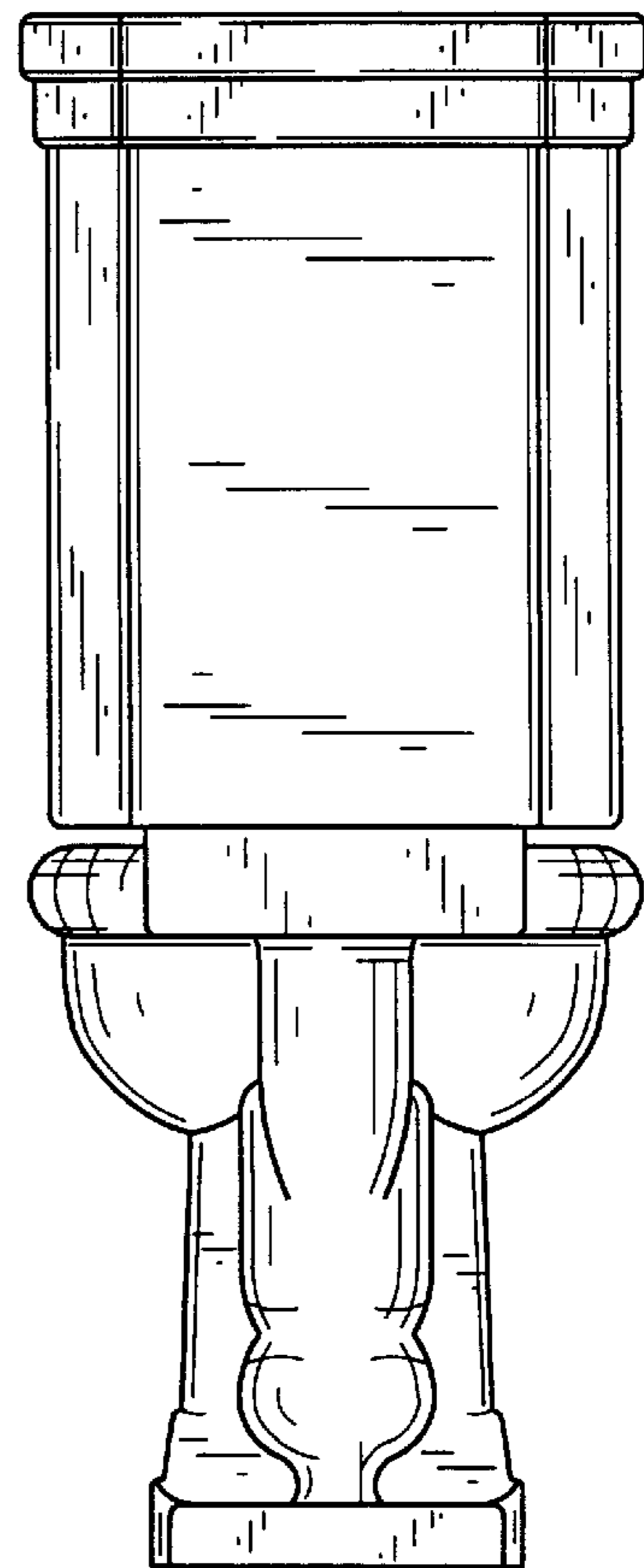


FIG. 5

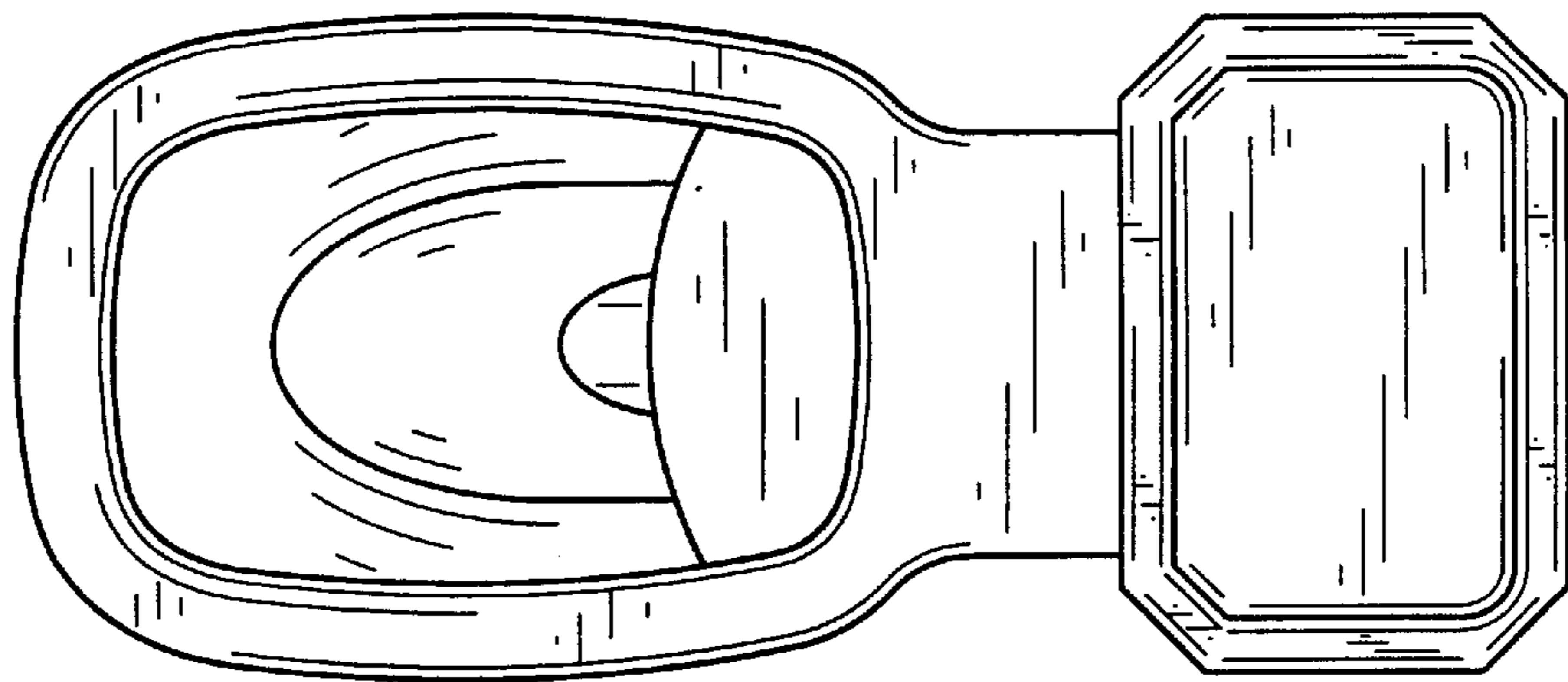


FIG. 3

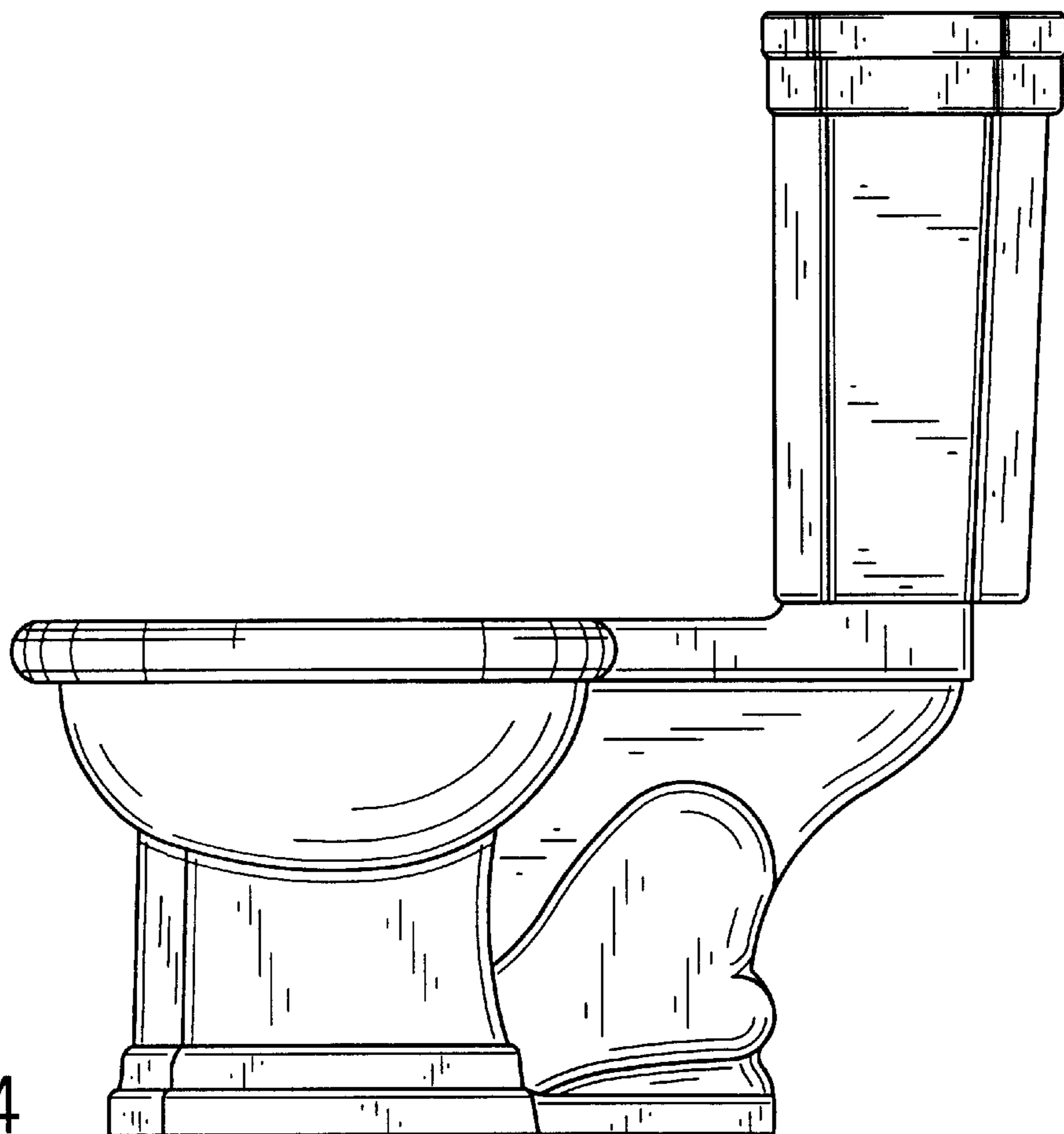


FIG. 4