



US00D451174B1

(12) **United States Design Patent**
Patteson et al.

(10) **Patent No.:** **US D451,174 S**

(45) **Date of Patent:** **** Nov. 27, 2001**

(54) **UNIVERSAL HOSE CONNECTOR**

1,996,855 * 4/1935 Cheswright 285/239
2,098,423 * 11/1937 Kennedy 285/305
5,944,359 * 8/1999 Andronaco 285/397

(76) Inventors: **Wilfred Mark Patteson**, 715 Irwin Crescent, Newmarket, Ontario (CA), L3Y 5A4; **John Henry De La Poer Beresford**, 633 Lakeshore Blvd. West, Suite 307, Toronto, Ontario (CA), M5V 3B9

* cited by examiner

Primary Examiner—Robin V. Taylor

(**) Term: **14 Years**

(57) **CLAIM**

(21) Appl. No.: **29/140,133**

The ornamental Design for a universal hose connector, as shown.

(22) Filed: **Apr. 16, 2001**

DESCRIPTION

Related U.S. Application Data

(62) Division of application No. 29/115,785, filed on Dec. 22, 1999, now Pat. No. Des. 441,435.

FIG. 1 is a plan view of a first embodiment of my design;

FIG. 2 is an end view of a first embodiment of my design;

FIG. 3 is another end view of a first embodiment of my design;

(51) **LOC (7) Cl.** **23-01**

(52) **U.S. Cl.** **D23/262**

(58) **Field of Search** D23/262; D24/129;
285/136.1, 148.22, 148.23, 905, 903, 133.11,
239, 397

FIG. 4 is a plan view of a second embodiment of my design;

FIG. 5 is an end view of a second embodiment of my design; and,

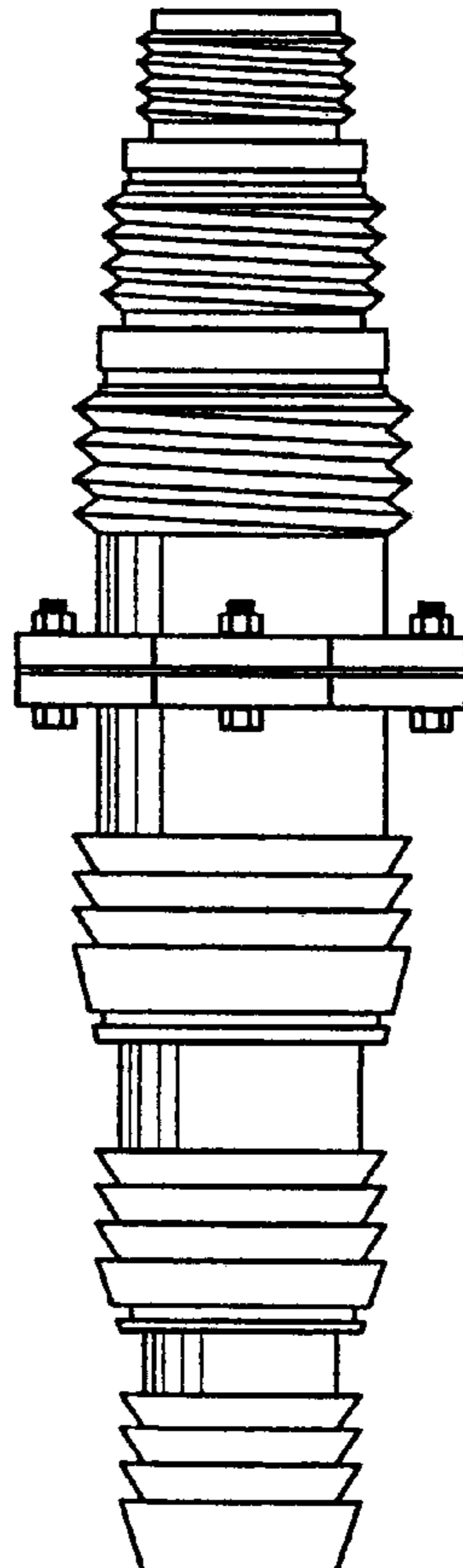
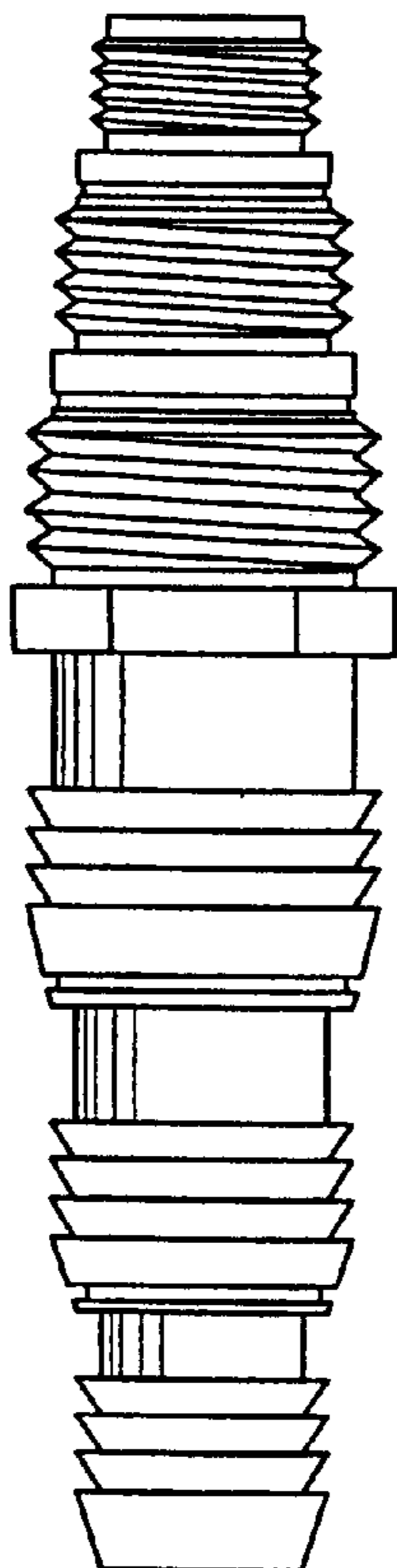
FIG. 6 is another end view of a second embodiment of my design.

(56) **References Cited**

U.S. PATENT DOCUMENTS

D. 282,962 * 3/1986 Gerber D23/262

1 Claim, 1 Drawing Sheet



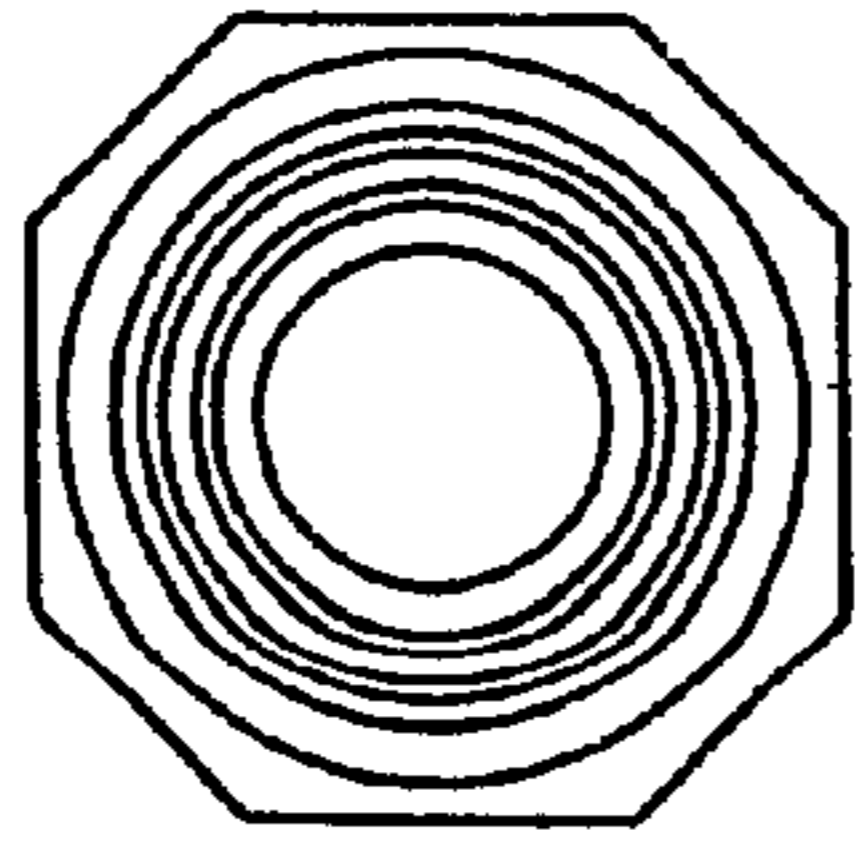


FIG.3

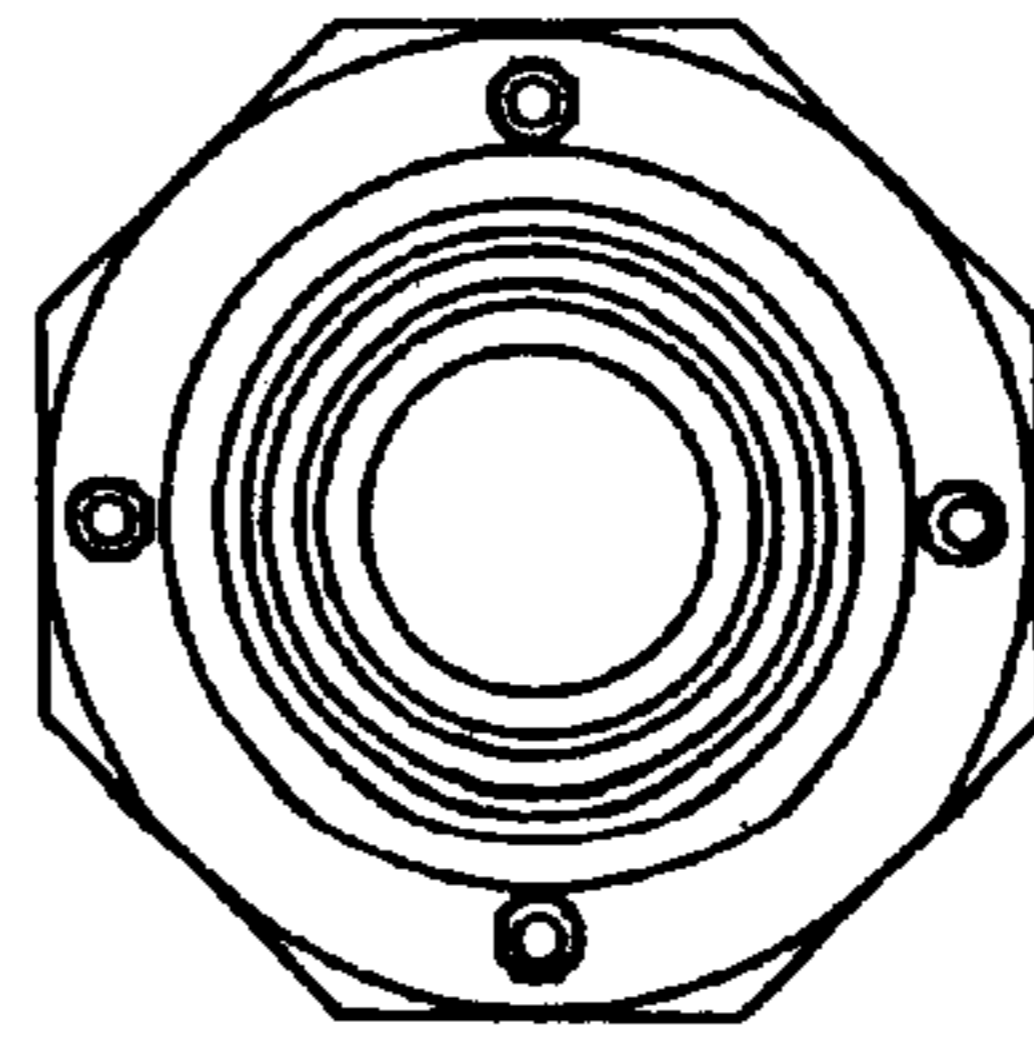


FIG.6

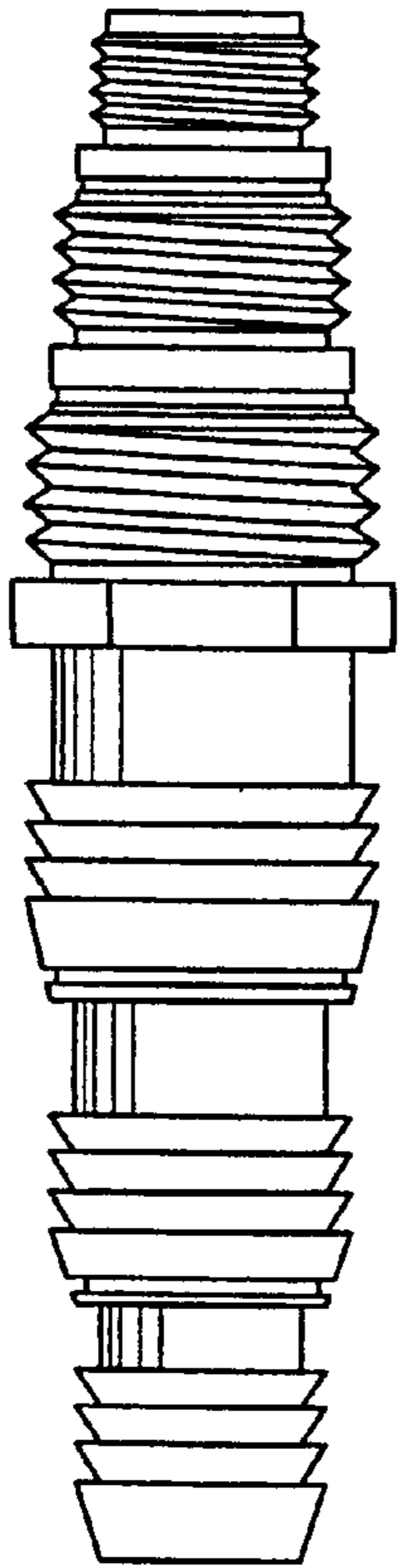


FIG.1

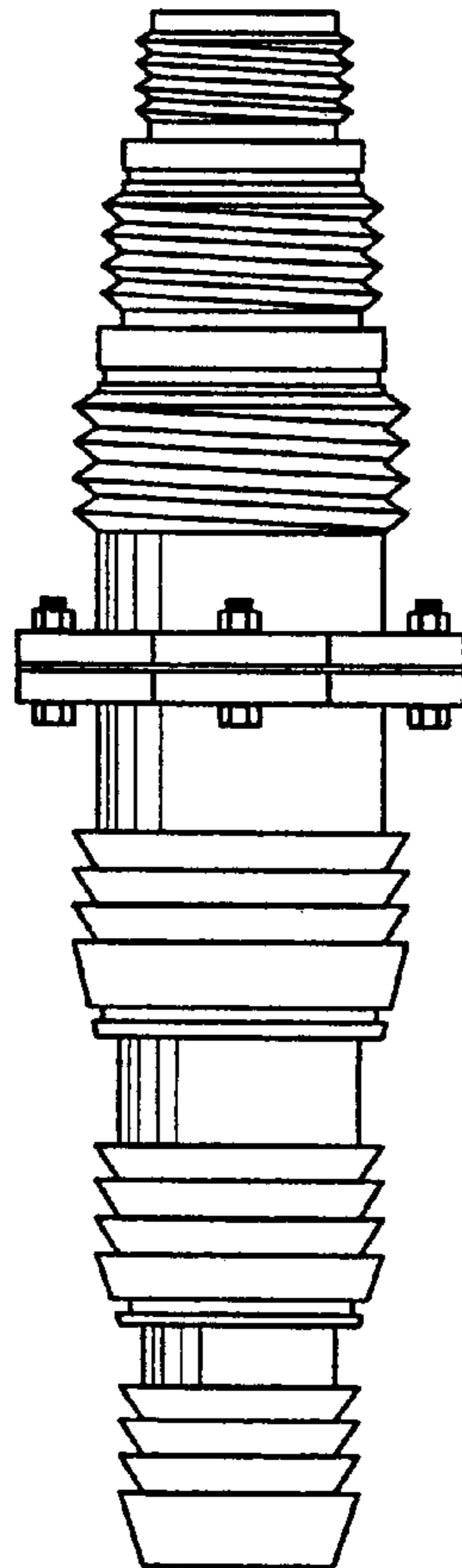


FIG.4

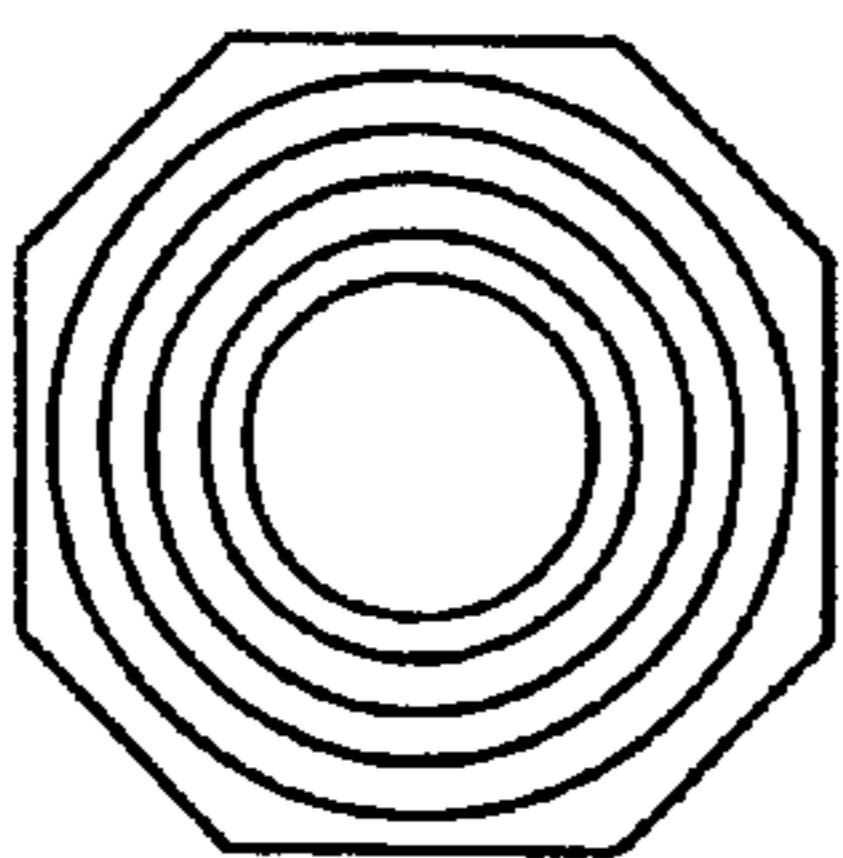


FIG.2

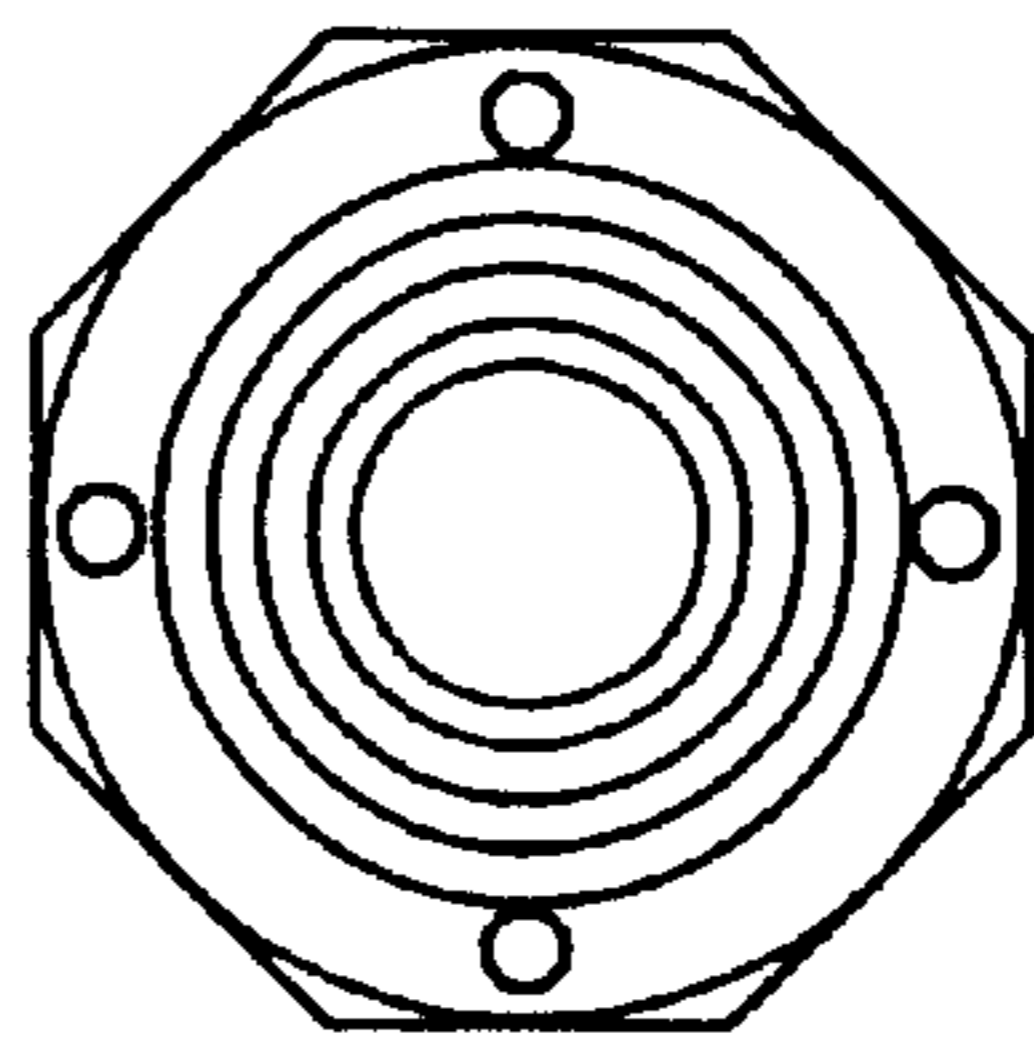


FIG.5