



US00D451172B1

(12) **United States Design Patent**
Lindholm et al.

(10) **Patent No.:** **US D451,172 S**

(45) **Date of Patent:** **** Nov. 27, 2001**

(54) **EURO STANDARD WALL-MOUNT SHOWER HEAD**

(75) Inventors: **Jon W. Lindholm**, Chicago; **Antonio J. Belton**, Hazel Crest, both of IL (US)

(73) Assignee: **Water Pik, Inc.**, Fort Collins, CO (US)

(**) Term: **14 Years**

(21) Appl. No.: **29/134,019**

(22) Filed: **Dec. 12, 2000**

(51) **LOC (7) Cl.** **23-01**

(52) **U.S. Cl.** **D23/229**

(58) **Field of Search** D23/213, 223,
D23/226, 229-230; 239/461, 462, 394

(56) **References Cited**

U.S. PATENT DOCUMENTS

| | | | |
|--------------|---------|-------------------|---------|
| D. 126,433 | 4/1941 | Enthof . | |
| 204,333 | 5/1878 | Josias . | |
| D. 237,708 | 11/1975 | Grohe et al. | D23/35 |
| D. 245,858 | 9/1977 | Grube | D23/35 |
| D. 245,860 | 9/1977 | Grube | D23/35 |
| D. 251,045 | 2/1979 | Grube . | |
| D. 255,626 | 7/1980 | Grube . | |
| D. 258,677 | 3/1981 | Larsson . | |
| D. 261,300 | 10/1981 | Klose | D23/35 |
| D. 261,417 | 10/1981 | Klose | D23/213 |
| D. 266,212 | 9/1982 | Haug . | |
| D. 267,582 | 1/1983 | Mackay et al. . | |
| D. 268,611 | 4/1983 | Klose . | |
| D. 274,457 | 6/1984 | Haug . | |
| D. 295,437 | 4/1988 | Fabian . | |
| D. 296,582 | 7/1988 | Haug et al. . | |
| D. 313,267 | 12/1990 | Lenci et al. | D23/213 |
| D. 315,191 | 3/1991 | Mikol | D23/213 |
| D. 317,348 | 6/1991 | Geneve et al. . | |
| D. 322,119 | 12/1991 | Haug et al. . | |
| D. 323,545 * | 1/1992 | Ward | D23/213 |
| D. 325,769 | 4/1992 | Haug et al. | D23/213 |
| D. 325,770 | 4/1992 | Haug et al. | D23/213 |
| D. 326,311 | 5/1992 | Lenci et al. | D23/223 |

| | | | |
|------------|---------|--------------|---------|
| D. 327,729 | 7/1992 | Rogers | D23/223 |
| D. 330,409 | 10/1992 | Raffo . | |
| D. 332,303 | 1/1993 | Klose . | |
| D. 332,994 | 2/1993 | Huen | D23/223 |
| D. 333,339 | 2/1993 | Klose . | |
| D. 334,794 | 4/1993 | Klose . | |
| D. 339,492 | 9/1993 | Klose . | |
| D. 339,627 | 9/1993 | Klose . | |
| D. 339,848 | 9/1993 | Gottwald . | |
| D. 340,376 | 10/1993 | Klose . | |

(List continued on next page.)

FOREIGN PATENT DOCUMENTS

| | | |
|---------|---------|--------|
| 3440901 | 7/1985 | (DE) . |
| 726811 | 8/1996 | (EP) . |
| 873808 | 7/1942 | (FR) . |
| 1039750 | 10/1953 | (FR) . |
| 2066704 | 7/1981 | (GB) . |

OTHER PUBLICATIONS

Color Copy, Labeled 1A, Gemlo, available at least as early as the filing date.

Color Copy, Labeled 1B, Gemlo, available at least as early as the filing date.

Primary Examiner—Robin V. Taylor

(74) *Attorney, Agent, or Firm*—Dorsey & Whitney LLP

(57) **CLAIM**

The ornamental design for a euro standard wall-mount shower head, as shown and described.

DESCRIPTION

FIG. 1 is a right-side perspective view of a euro standard wall-mount shower head showing our new design;

FIG. 2 is a front elevation view thereof;

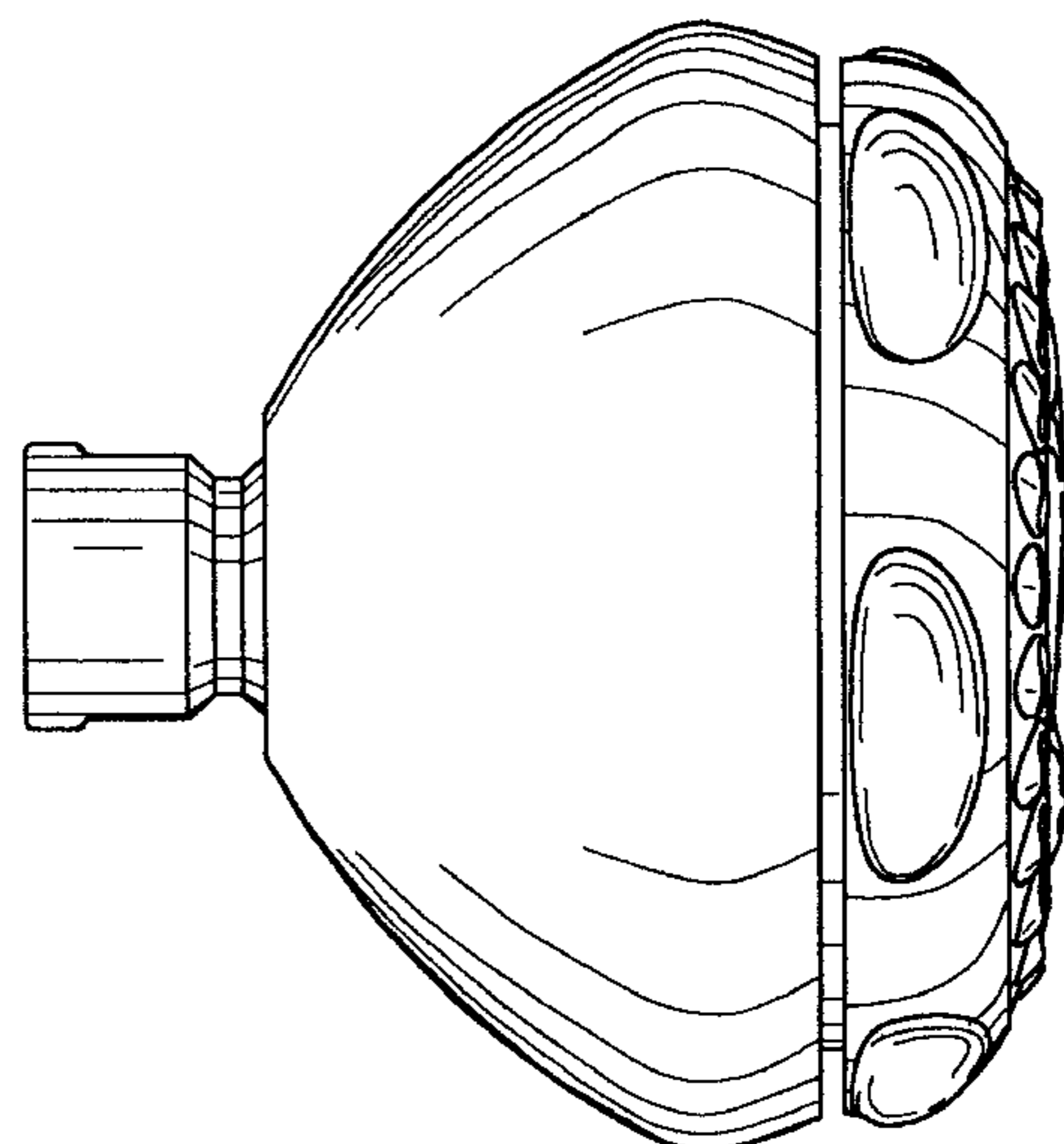
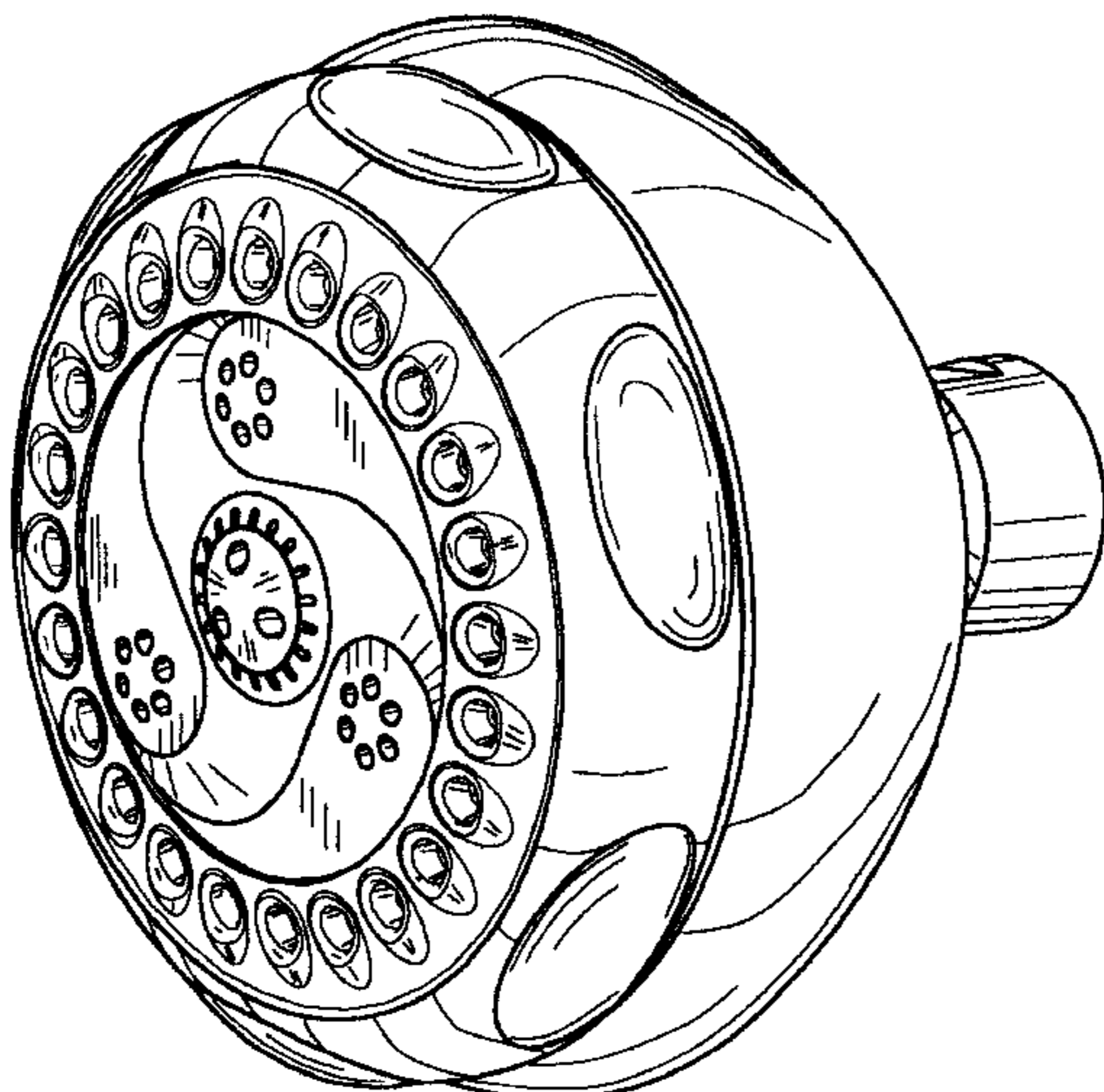
FIG. 3 is a left side elevation view thereof, of which the right side elevation view is a mirror image;

FIG. 4 is a top plan view thereof;

FIG. 5 is a rear elevation view thereof; and,

FIG. 6 is a bottom plan view thereof.

1 Claim, 3 Drawing Sheets



US D451,172 S

Page 2

| U.S. PATENT DOCUMENTS | | | | | |
|-----------------------|---------|-------------------------------|-----------|---------|----------------------------------|
| | | | 4,151,955 | 5/1979 | Stouffer 239/11 |
| D. 341,007 | 11/1993 | Haug et al. . | 4,151,957 | 5/1979 | Gecewicz et al. 239/381 |
| D. 341,191 | 11/1993 | Klose . | 4,165,837 | 8/1979 | Rundzaitis 239/449 |
| D. 347,265 | 5/1994 | Gottwald . | 4,174,822 | 11/1979 | Larsson . |
| D. 348,720 | 7/1994 | Haug et al. D23/223 | 4,209,132 | 6/1980 | Kwan 239/381 |
| D. 349,947 | 8/1994 | Hing-Wah D23/223 | 4,254,914 | 3/1981 | Shames et al. 239/383 |
| D. 352,347 | 11/1994 | Dannenburg D23/223 | 4,303,201 | 12/1981 | Elkins et al. 239/391 |
| D. 355,703 | 2/1995 | Duell . | 4,319,608 | 3/1982 | Raikov et al. 251/126 |
| D. 361,623 | 8/1995 | Huen . | 4,614,303 | 9/1986 | Moseley, Jr. et al. 239/499 |
| D. 367,315 | 2/1996 | Andrus . | 4,657,185 | 4/1987 | Rundzaitis 239/438 |
| D. 367,696 | 3/1996 | Andrus D23/223 | 4,703,893 | 11/1987 | Gruber 239/391 |
| D. 369,204 | 4/1996 | Andrus . | 4,719,654 | 1/1988 | Blessing . |
| D. 369,205 | 4/1996 | Andrus . | 4,754,928 | 7/1988 | Rogers et al. 239/381 |
| D. 370,052 | 5/1996 | Chan et al. D23/223 | 4,787,591 | 11/1988 | Villacorta . |
| D. 374,271 | 10/1996 | Fleischmann . | 4,914,759 | 4/1990 | Goff . |
| D. 375,541 | 11/1996 | Michaluk D23/213 | 4,953,585 | 9/1990 | Rollini et al. 137/218 |
| D. 381,737 | 7/1997 | Chan D23/223 | 4,964,573 | 10/1990 | Lipski . |
| D. 382,936 | 8/1997 | Shfaram . | 5,033,897 | 7/1991 | Chen 137/218 |
| D. 385,332 | 10/1997 | Andrus . | 5,141,016 | 8/1992 | Nowicki 137/872 |
| D. 385,333 | 10/1997 | Caroen et al. . | 5,172,866 | 12/1992 | Ward 239/446 |
| D. 385,616 * | 10/1997 | Dow et al. D23/213 | 5,232,162 | 8/1993 | Chih 239/394 |
| D. 385,947 | 11/1997 | Dow et al. D23/223 | 5,246,169 | 9/1993 | Heimann et al. 239/447 |
| D. 387,230 | 12/1997 | von Beulow et al. . | 5,265,833 | 11/1993 | Heimann et al. . |
| D. 389,558 | 1/1998 | Andrus . | 5,277,391 | 1/1994 | Haug et al. . |
| D. 395,074 | 6/1998 | Neibrook D23/229 | 5,294,054 | 3/1994 | Benedict et al. 239/446 |
| D. 408,893 * | 4/1999 | Tse D23/229 | 5,297,735 | 3/1994 | Heimann et al. . |
| D. 434,109 * | 11/2000 | Ko D23/229 | 5,340,064 | 8/1994 | Heimann et al. . |
| D. 435,889 * | 1/2001 | Ben-Tsur et al. D23/229 | 5,344,080 | 9/1994 | Matsui 239/449 |
| D. 443,025 * | 5/2001 | Kollmann et al. D23/229 | 5,397,064 | 3/1995 | Heitzman 239/381 |
| D. 443,029 * | 5/2001 | Kollmann et al. D23/229 | 5,398,872 | 3/1995 | Joubran 239/99 |
| 566,384 | 8/1896 | Engelhart . | 5,433,384 | 7/1995 | Chan et al. . |
| 1,203,466 | 10/1916 | Benson . | 5,476,225 | 12/1995 | Chan . |
| 1,459,582 | 6/1923 | Dubee . | 5,481,765 | 1/1996 | Wang . |
| 2,216,149 | 10/1940 | Weiss . | 5,499,767 | 3/1996 | Morand 239/383 |
| 2,567,642 | 9/1951 | Penshaw 299/141 | 5,507,436 | 4/1996 | Ruttenberg 239/1 |
| 3,098,508 | 7/1963 | Gerdes 137/625.32 | 5,551,637 | 9/1996 | Lo 239/394 |
| 3,404,410 | 10/1968 | Sumida . | 5,558,278 | 9/1996 | Gallorini 239/553.3 |
| 3,550,863 | 12/1970 | McDermott 239/562 | 5,577,664 | 11/1996 | Heitzman 239/99 |
| 3,826,454 | 7/1974 | Zieger . | 5,613,639 | 3/1997 | Storm et al. 239/581.1 |
| 3,865,310 | 2/1975 | Elkins et al. . | 5,632,049 | 5/1997 | Chen . |
| 3,967,783 | 7/1976 | Halsted et al. 239/447 | 5,653,260 | 8/1997 | Huber . |
| 3,979,096 | 9/1976 | Zieger . | 5,704,080 | 1/1998 | Kuhne . |
| 3,998,390 | 12/1976 | Peterson et al. 239/443 | 5,718,380 | 2/1998 | Schorn et al. 239/117 |
| 4,081,135 | 3/1978 | Tomaro 239/102 | 5,749,552 | 5/1998 | Fan . |
| 4,084,271 | 4/1978 | Ginsberg 4/161 | 5,918,811 | 7/1999 | Denham et al. 239/444 |
| 4,091,998 | 5/1978 | Peterson . | | | |
| 4,117,979 | 10/1978 | Lagarelli et al. 239/449 | | | |

* cited by examiner

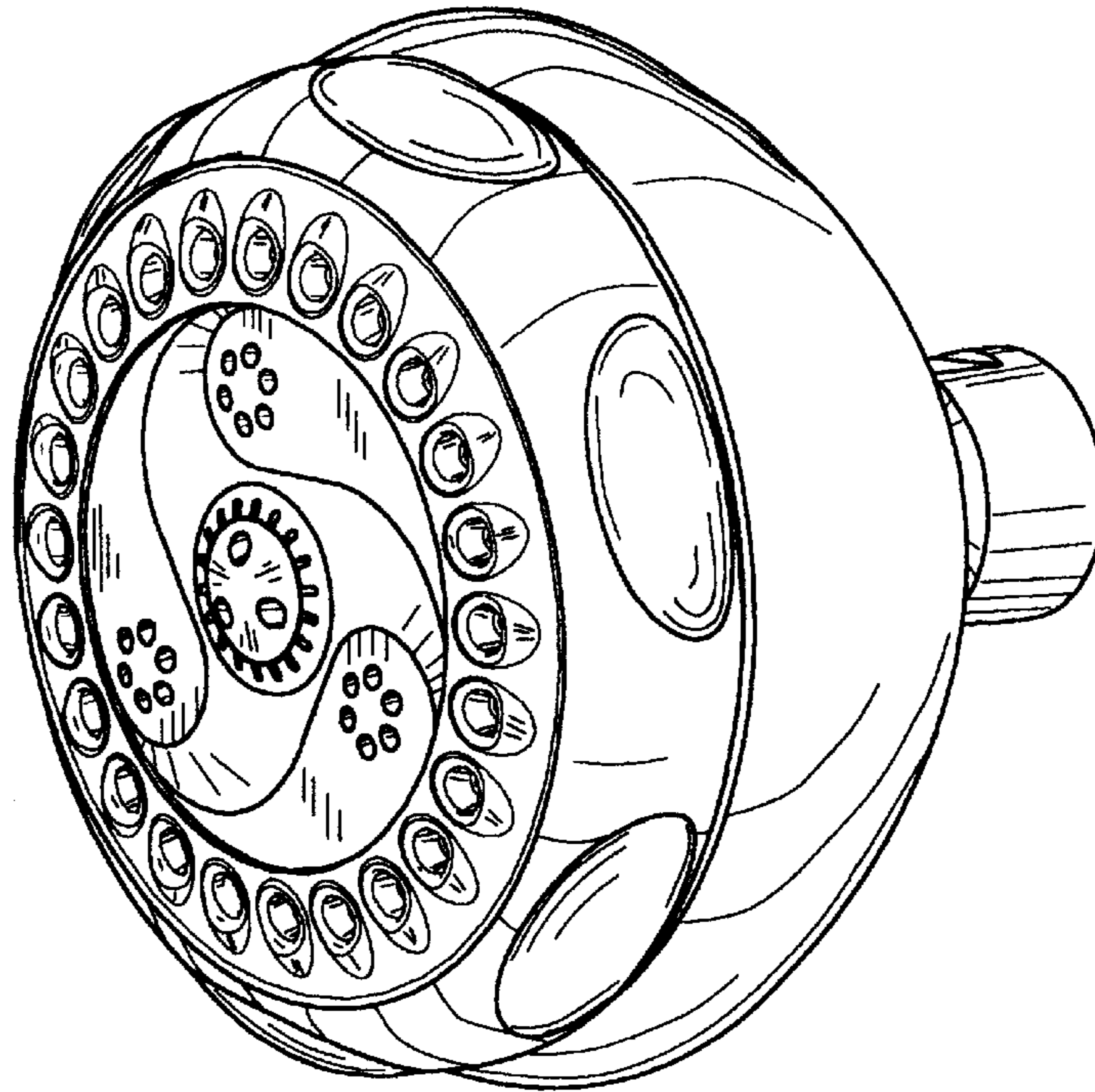


Fig. 1

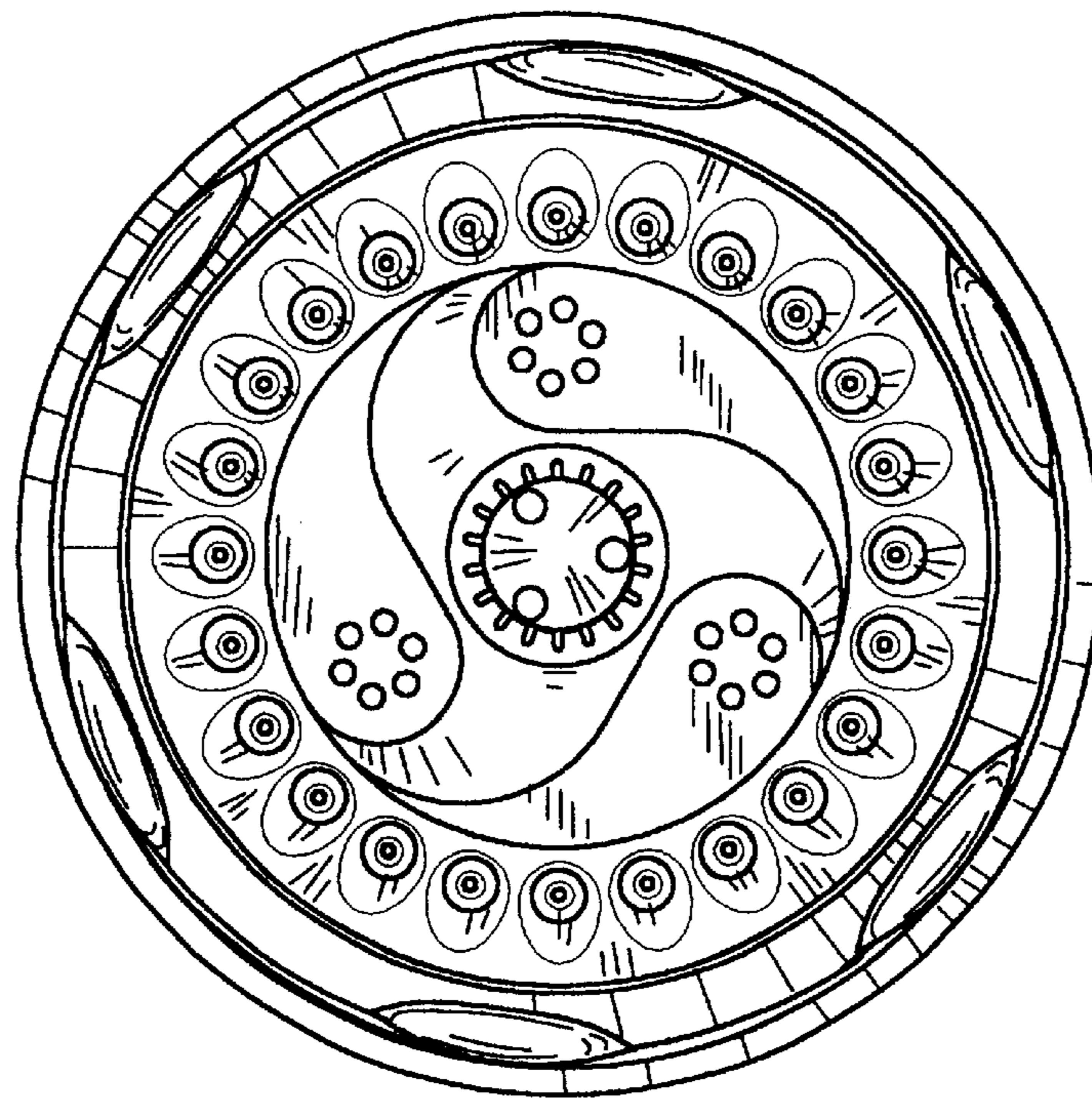


Fig. 2

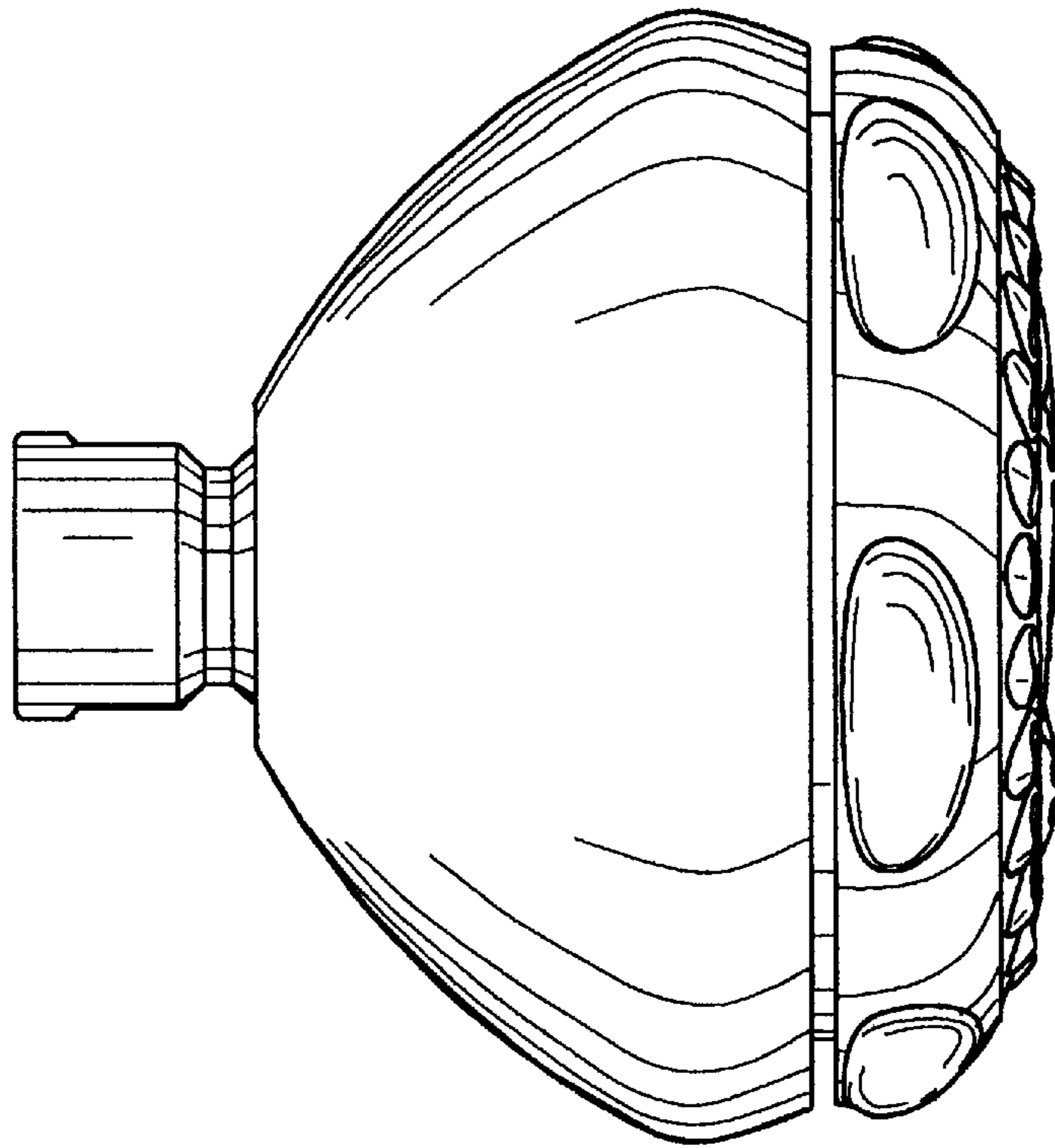


Fig. 3



Fig. 4

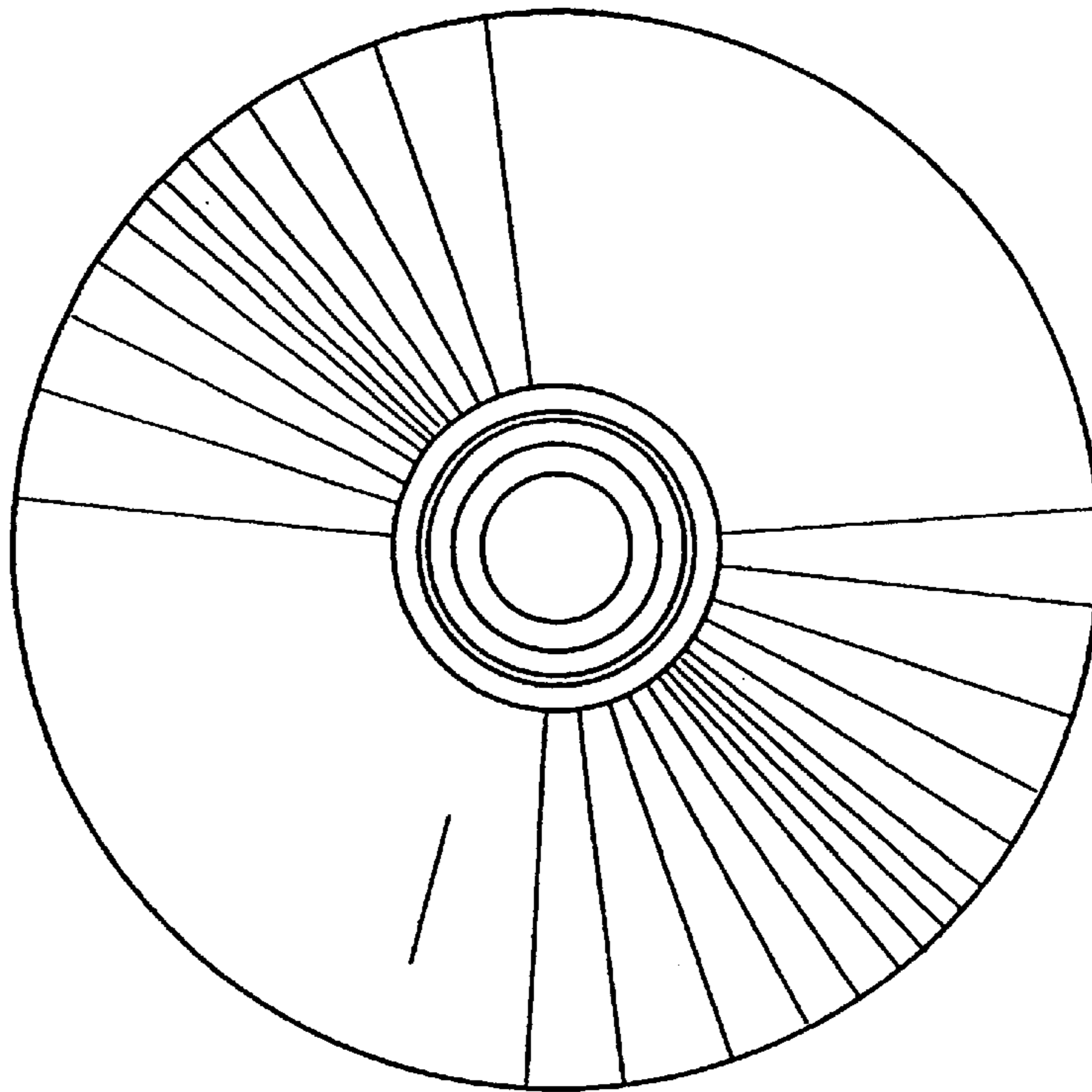


Fig. 5

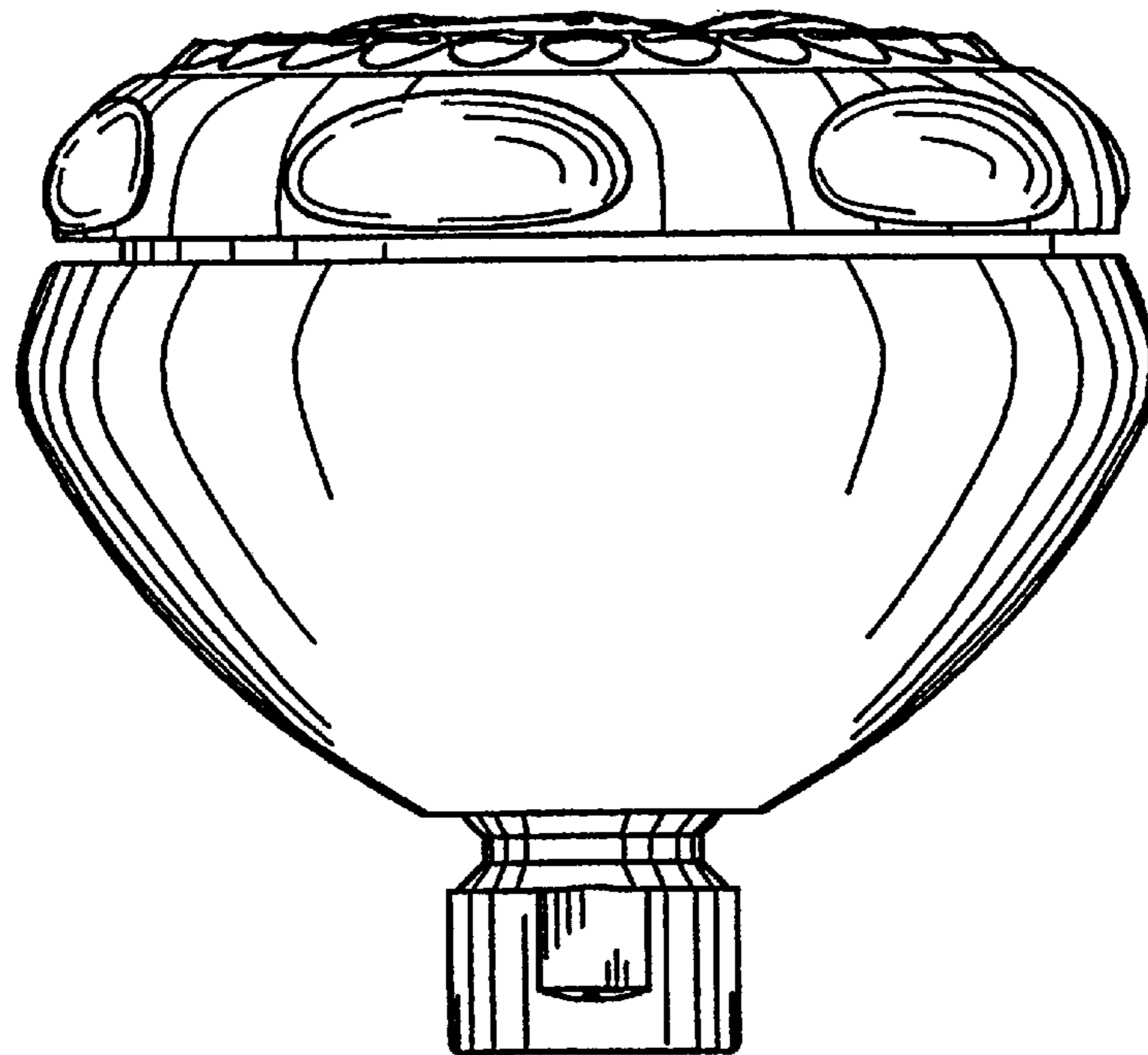


Fig. 6