



US00D451171B1

(12) **United States Design Patent**
Lindholm et al.

(10) **Patent No.:** **US D451,171 S**

(45) **Date of Patent:** **** Nov. 27, 2001**

(54) **TRADITIONAL LARGE WALL-MOUNT SHOWER HEAD**
(75) Inventors: **Jon W. Lindholm**, Chicago; **Antonio J. Belton**, Hazel Crest, both of IL (US)

(73) Assignee: **Water Pik, Inc.**, Fort Collins, CO (US)

(**) Term: **14 Years**

(21) Appl. No.: **29/133,995**

(22) Filed: **Dec. 12, 2000**

(51) **LOC (7) Cl.** **23-01**

(52) **U.S. Cl.** **D23/229**

(58) **Field of Search** D23/213, 223,
D23/226, 229, 230; 239/461, 462, 394

(56) **References Cited**

U.S. PATENT DOCUMENTS

D. 126,433	4/1941	Enthof .	
204,333	5/1878	Josias .	
D. 237,708	11/1975	Grohe et al.	D23/35
D. 245,858	9/1977	Grube	D23/35
D. 245,860	9/1977	Grube	D23/35
D. 251,045	2/1979	Grube .	
D. 255,626	7/1980	Grube .	
D. 258,677	3/1981	Larsson .	
D. 261,300	10/1981	Klose	D23/35
D. 261,417	10/1981	Klose	D23/213
D. 266,212	9/1982	Haug .	
D. 267,582	1/1983	Mackay et al. .	
D. 268,611	4/1983	Klose .	
D. 274,457	6/1984	Haug .	
D. 295,437	4/1988	Fabian .	
D. 296,582	7/1988	Haug et al. .	
D. 313,267	12/1990	Lenci et al.	D23/213
D. 315,191	3/1991	Mikol	D23/213
D. 317,348	6/1991	Geneve et al. .	
D. 322,119	12/1991	Haug et al. .	
D. 323,545 *	1/1992	Ward	D23/213
D. 325,769	4/1992	Haug et al.	D23/213
D. 325,770	4/1992	Haug et al.	D23/213
D. 326,311	5/1992	Lenci et al.	D23/223
D. 327,729	7/1992	Rogers	D23/223

D. 330,409	10/1992	Raffo .	
D. 332,303	1/1993	Klose .	
D. 332,994	2/1993	Huen	D23/223
D. 333,339	2/1993	Klose .	
D. 334,794	4/1993	Klose .	
D. 339,492	9/1993	Klose .	
D. 339,627	9/1993	Klose .	
D. 339,848	9/1993	Gottwald .	
D. 340,376	10/1993	Klose .	
D. 341,007	11/1993	Haug et al. .	
D. 341,191	11/1993	Klose .	

(List continued on next page.)

FOREIGN PATENT DOCUMENTS

3440901	7/1985	(DE) .	
726811	8/1996	(EP) .	
873808	7/1942	(FR) .	
1039750	10/1953	(FR) .	
2066704	7/1981	(GB) .	

OTHER PUBLICATIONS

Color Copy, Labeled 1A, Gemlo, available at least as early as the filing date.

Color Copy, Labeled 1B, Gemlo, available at least as early as the filing date.

Primary Examiner—Robin V. Taylor

(74) *Attorney, Agent, or Firm*—Dorsey & Whitney LLP

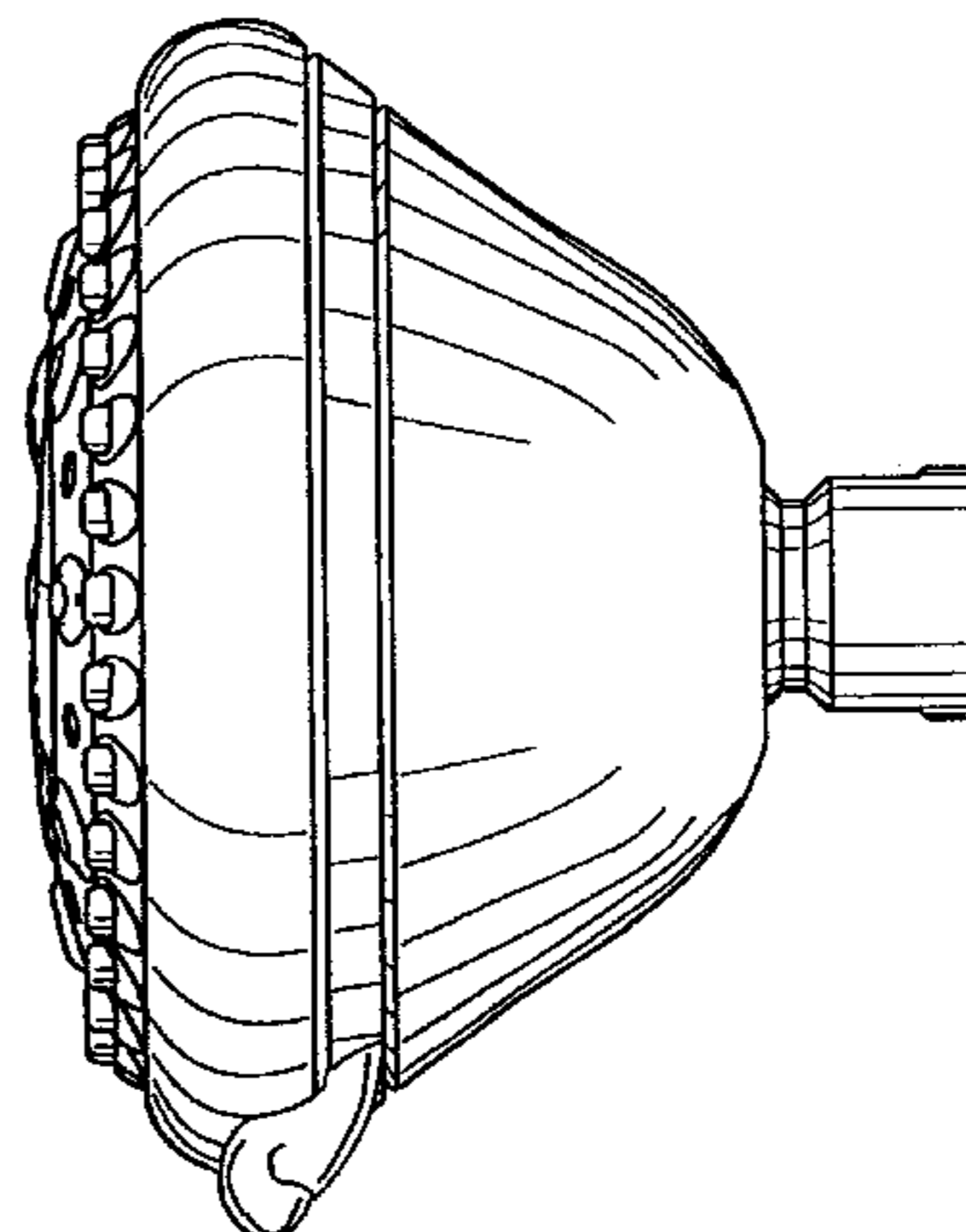
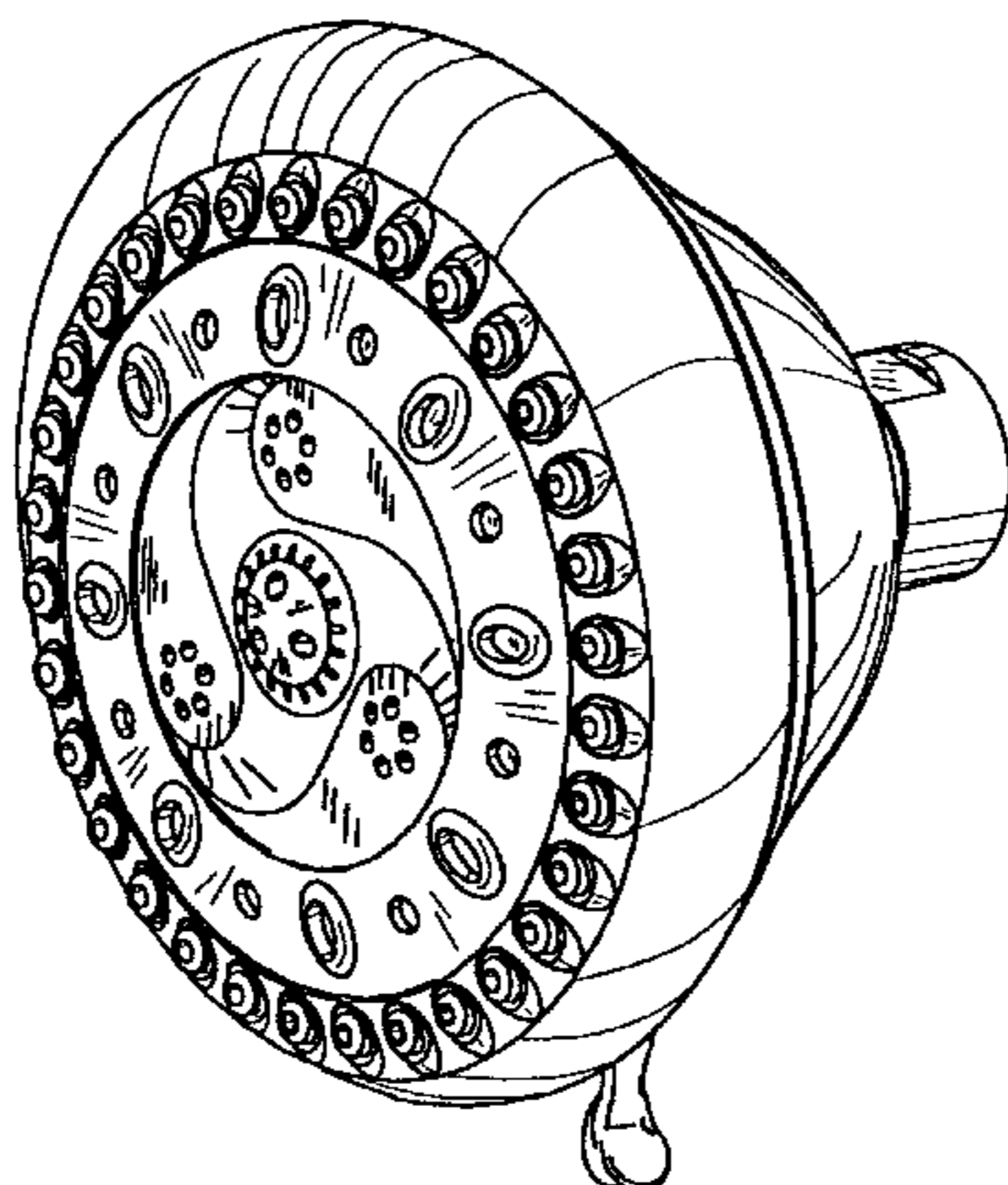
(57) **CLAIM**

The ornamental design for a traditional large wall-mount shower head, as shown and described.

DESCRIPTION

FIG. 1 is a right side perspective view of a traditional large wall-mount shower head showing our new design; FIG. 2 is a front elevation view thereof; FIG. 3 is a left side elevation view thereof; FIG. 4 is a right side elevation view thereof; FIG. 5 is a top plan view thereof; FIG. 6 is a rear elevation view thereof; and, FIG. 7 is a bottom plan view thereof.

1 Claim, 3 Drawing Sheets



US D451,171 S

Page 2

U.S. PATENT DOCUMENTS					
			4,151,957	5/1979	Gecewicz et al. 239/381
			4,165,837	8/1979	Rundzaitis 239/449
			4,174,822	11/1979	Larsson .
			4,209,132	6/1980	Kwan 239/381
			4,254,914	3/1981	Shames et al. 239/383
			4,303,201	12/1981	Elkins et al. 239/391
			4,319,608	3/1982	Raikov et al. 251/126
			4,614,303	9/1986	Moseley, Jr. et al. 239/499
			4,657,185	4/1987	Rundzaitis 239/438
			4,703,893	11/1987	Gruber 239/391
			4,719,654	1/1988	Blessing .
			4,754,928	7/1988	Rogers et al. 239/381
			4,787,591	11/1988	Villacorta .
			4,914,759	4/1990	Goff .
			4,953,585	9/1990	Rollini et al. 137/218
			4,964,573	10/1990	Lipski .
			5,033,897	7/1991	Chen 137/218
			5,141,016	8/1992	Nowicki 137/872
			5,172,866	12/1992	Ward 239/446
			5,232,162	8/1993	Chih 239/394
			5,246,169	9/1993	Heimann et al. 239/447
			5,265,833	11/1993	Heimann et al. .
			5,277,391	1/1994	Haug et al. .
			5,294,054	3/1994	Benedict et al. 239/446
			5,297,735	3/1994	Heimann et al. .
			5,340,064	8/1994	Heimann et al. .
			5,344,080	9/1994	Matsui 239/449
			5,397,064	3/1995	Heitzman 239/381
			5,398,872	3/1995	Joubran 239/99
			5,433,384	7/1995	Chan et al. .
			5,476,225	12/1995	Chan .
			5,481,765	1/1996	Wang .
			5,499,767	3/1996	Morand 239/383
			5,507,436	4/1996	Ruttenberg 239/1
			5,551,637	9/1996	Lo 239/394
			5,558,278	9/1996	Gallorini 239/553.3
			5,577,664	11/1996	Heitzman 239/99
			5,613,639	3/1997	Storm et al. 239/581.1
			5,632,049	5/1997	Chen .
			5,653,260	8/1997	Huber .
			5,704,080	1/1998	Kuhne .
			5,718,380	2/1998	Schorn et al. 239/117
			5,749,552	5/1998	Fan .
			5,918,811	7/1999	Denham et al. 239/444
D. 347,265	5/1994	Gottwald .			
D. 348,720	7/1994	Haug et al. D23/223			
D. 349,947	8/1994	Hing-Wah D23/223			
D. 352,347	11/1994	Dannenburg D23/223			
D. 355,703	2/1995	Duell .			
D. 361,623	8/1995	Huen .			
D. 367,315	2/1996	Andrus .			
D. 367,696	3/1996	Andrus D23/223			
D. 369,204	4/1996	Andrus .			
D. 369,205	4/1996	Andrus .			
D. 370,052	5/1996	Chan et al. D23/223			
D. 374,271	10/1996	Fleischmann .			
D. 375,541	11/1996	Michaluk D23/213			
D. 381,737	7/1997	Chan D23/223			
D. 382,936	8/1997	Shfaram .			
D. 385,332	10/1997	Andrus .			
D. 385,333	10/1997	Caroen et al. .			
D. 385,616 *	10/1997	Dow et al. D23/213			
D. 385,947	11/1997	Dow et al. D23/223			
D. 387,230	12/1997	von Beulow et al. .			
D. 389,558	1/1998	Andrus .			
D. 395,074	6/1998	Neibrook D23/229			
D. 408,893 *	4/1999	Tse D23/229			
D. 434,109 *	11/2000	Ko D23/229			
D. 435,889 *	1/2001	Ben-Tsur et al. D23/229			
D. 443,025 *	5/2001	Kollmann et al. D23/229			
D. 443,029 *	5/2001	Kollmann et al. D23/229			
566,384	8/1896	Engelhart .			
1,203,466	10/1916	Benson .			
1,459,582	6/1923	Dubee .			
2,216,149	10/1940	Weiss .			
2,567,642	9/1951	Penshaw 299/141			
3,098,508	7/1963	Gerdes 137/625.32			
3,404,410	10/1968	Sumida .			
3,550,863	12/1970	McDermott 239/562			
3,826,454	7/1974	Zieger .			
3,865,310	2/1975	Elkins et al. .			
3,967,783	7/1976	Halsted et al. 239/447			
3,979,096	9/1976	Zieger .			
3,998,390	12/1976	Peterson et al. 239/443			
4,081,135	3/1978	Tomaro 239/102			
4,084,271	4/1978	Ginsberg 4/161			
4,091,998	5/1978	Peterson .			
4,117,979	10/1978	Lagarelli et al. 239/449			
4,151,955	5/1979	Stouffer 239/11			

* cited by examiner

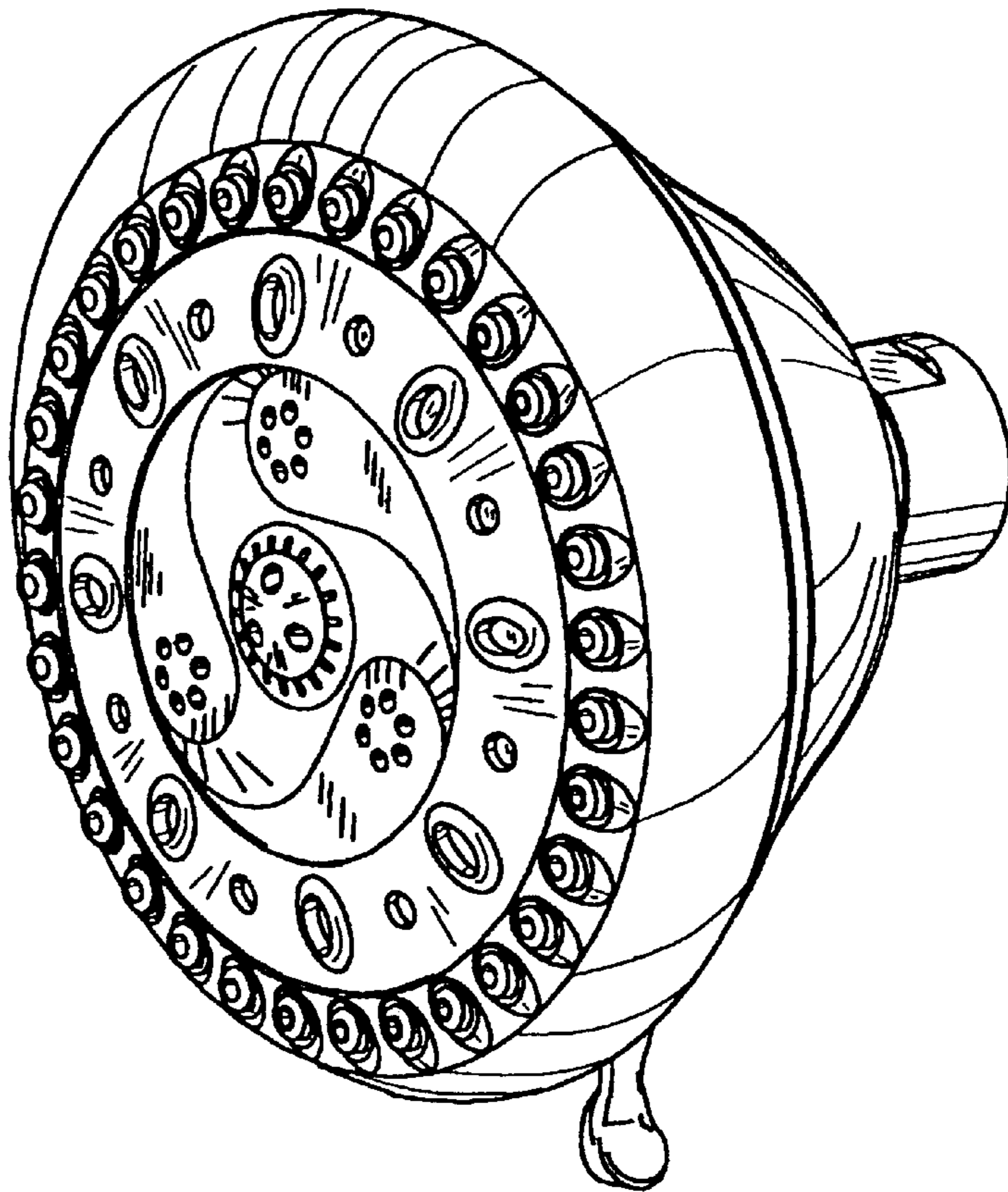


Fig. 1

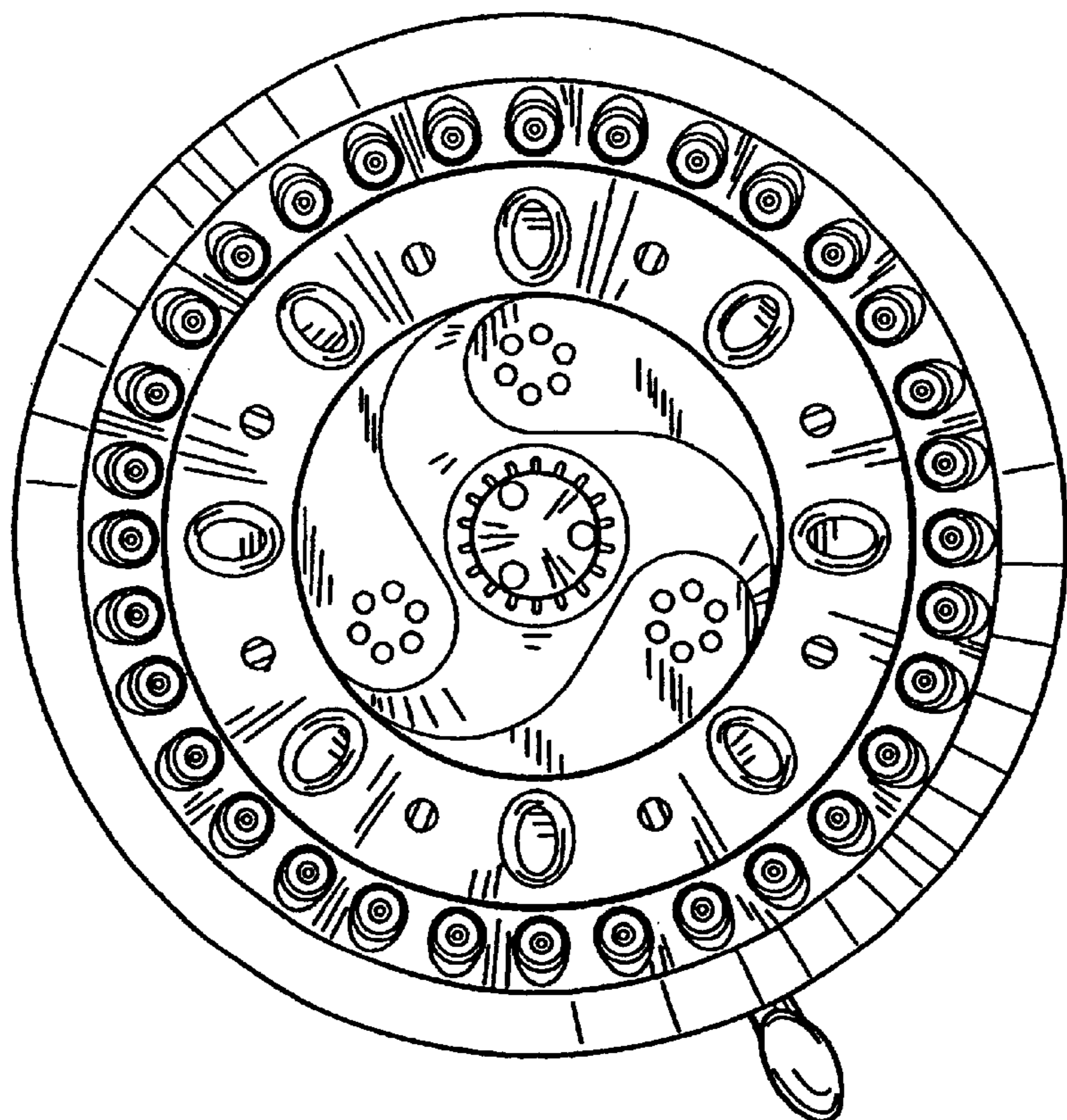


Fig. 2

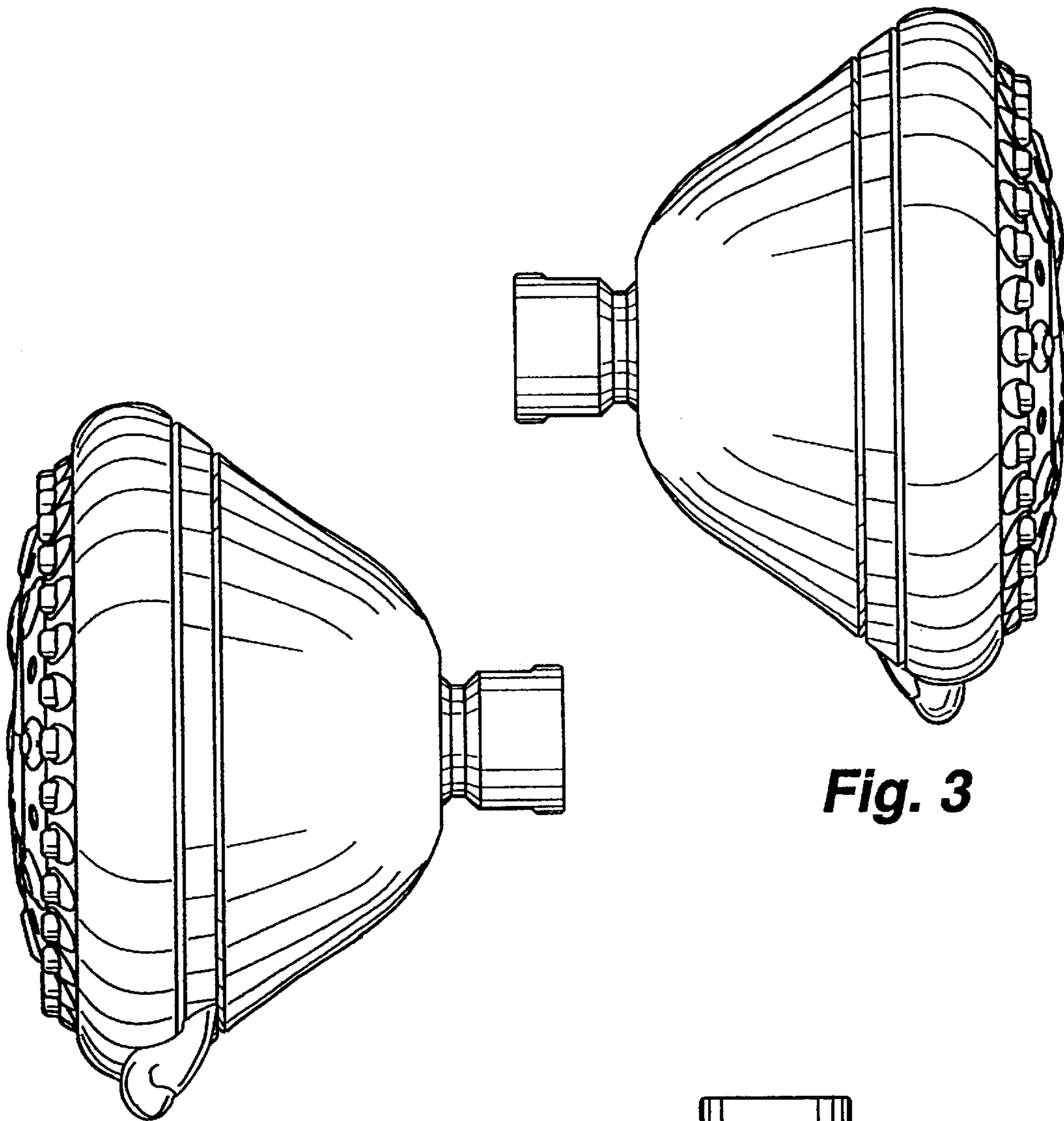
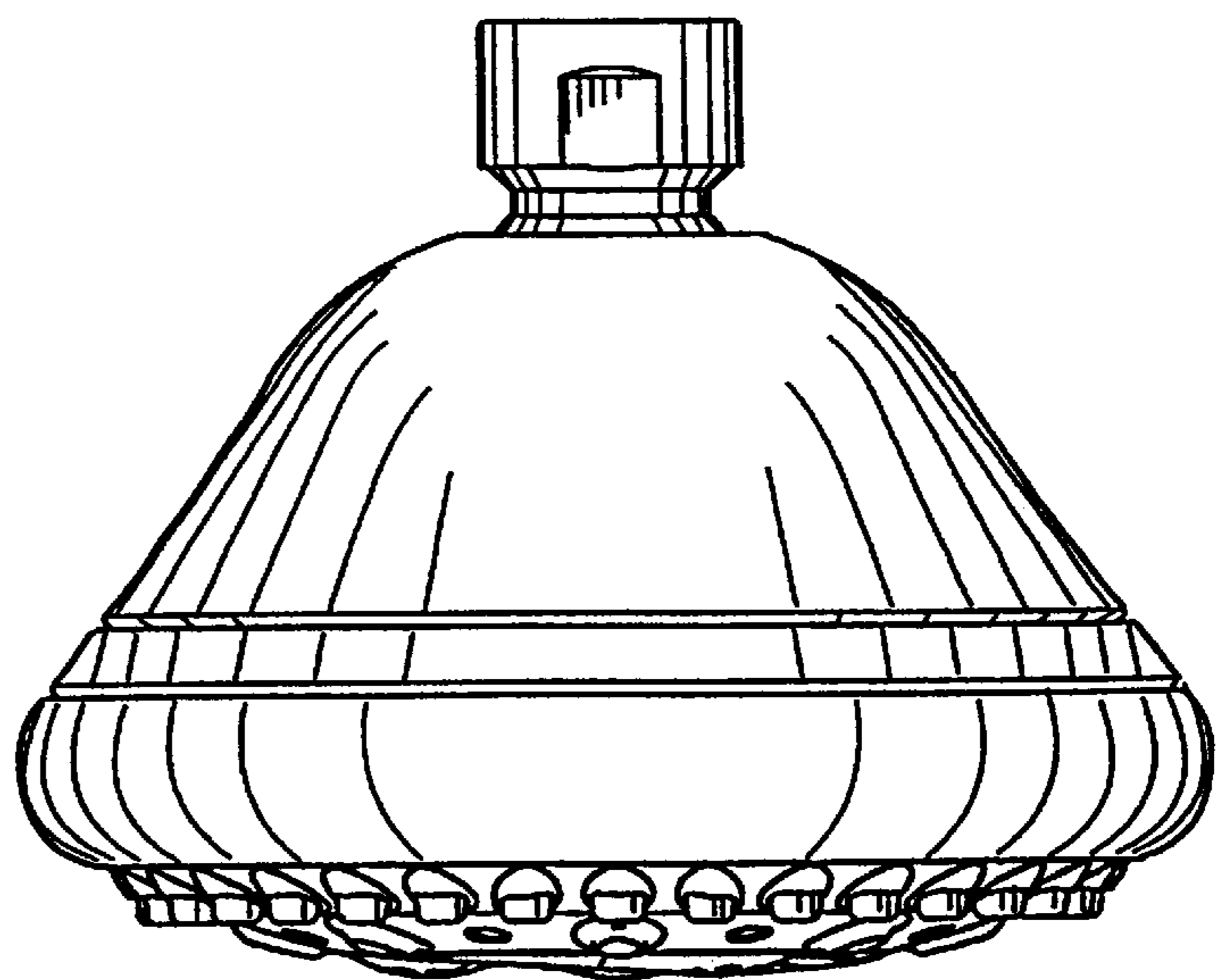


Fig. 3

Fig. 4

Fig. 5



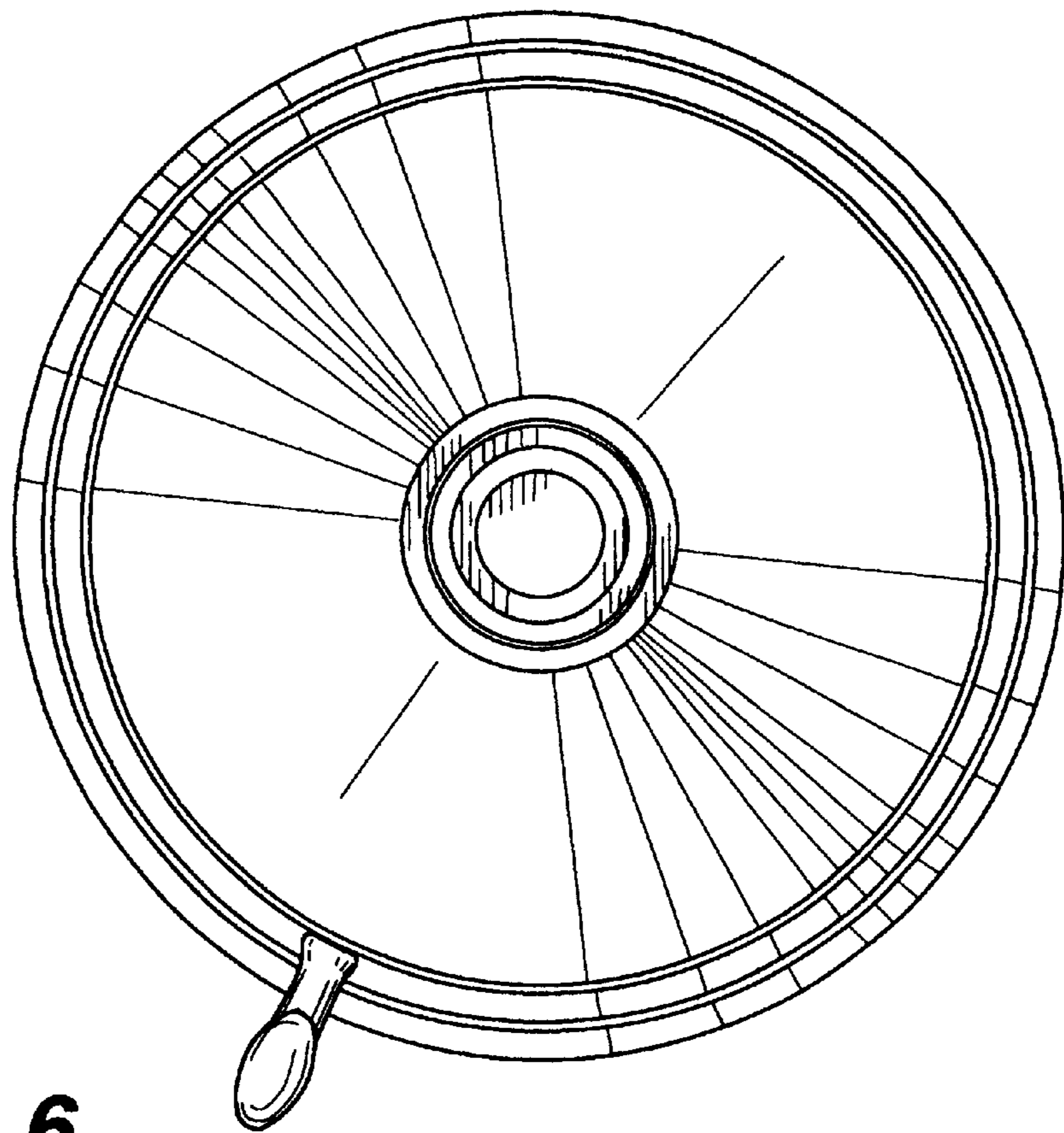


Fig. 6

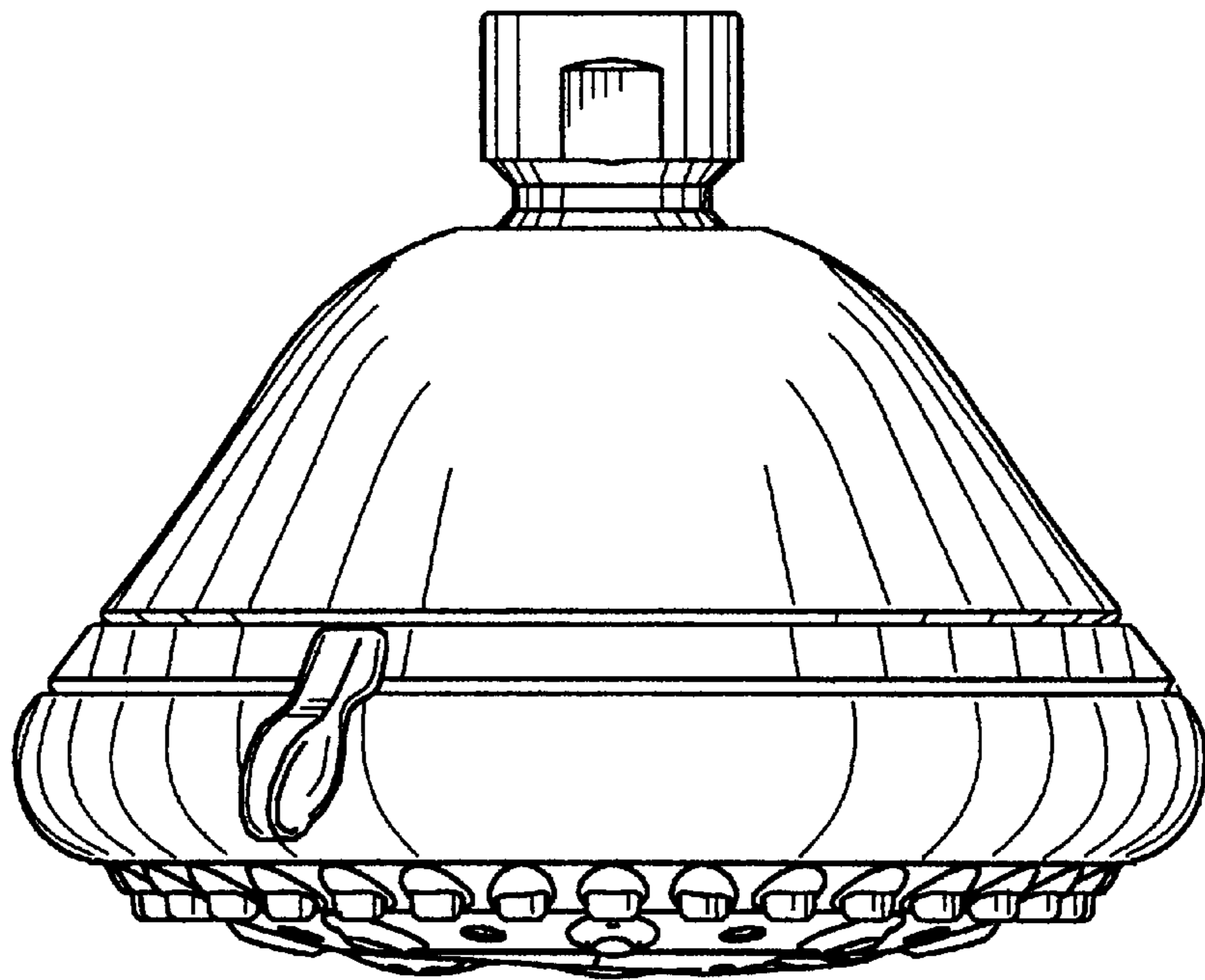


Fig. 7