



US00D451163B1

(12) **United States Design Patent**
Larsson

(10) **Patent No.:** **US D451,163 S**

(45) **Date of Patent:** **** Nov. 27, 2001**

(54) **HOLDER FOR PROTECTIVE LID**

6,176,031 * 1/2001 Ramsey 42/90

(76) Inventor: **Niklas Larsson**, Kastanjegatan 6 A,
Lund (SE), S-223 59

* cited by examiner

(**) Term: **14 Years**

Primary Examiner—Louis S. Zarfaz
Assistant Examiner—Monica A. Weingart
(74) *Attorney, Agent, or Firm*—Lanahan & Reilley LLP;
Draper B. Gregory

(21) Appl. No.: **29/128,889**

(57) **CLAIM**

(22) Filed: **Aug. 31, 2000**

I claim the ornamental design for the holder for protective lid, as shown and described.

(51) **LOC (7) Cl.** **22-01**

(52) **U.S. Cl.** **D22/108**

(58) **Field of Search** D22/100, 108,
D22/199; 42/90, 106; 294/170

DESCRIPTION

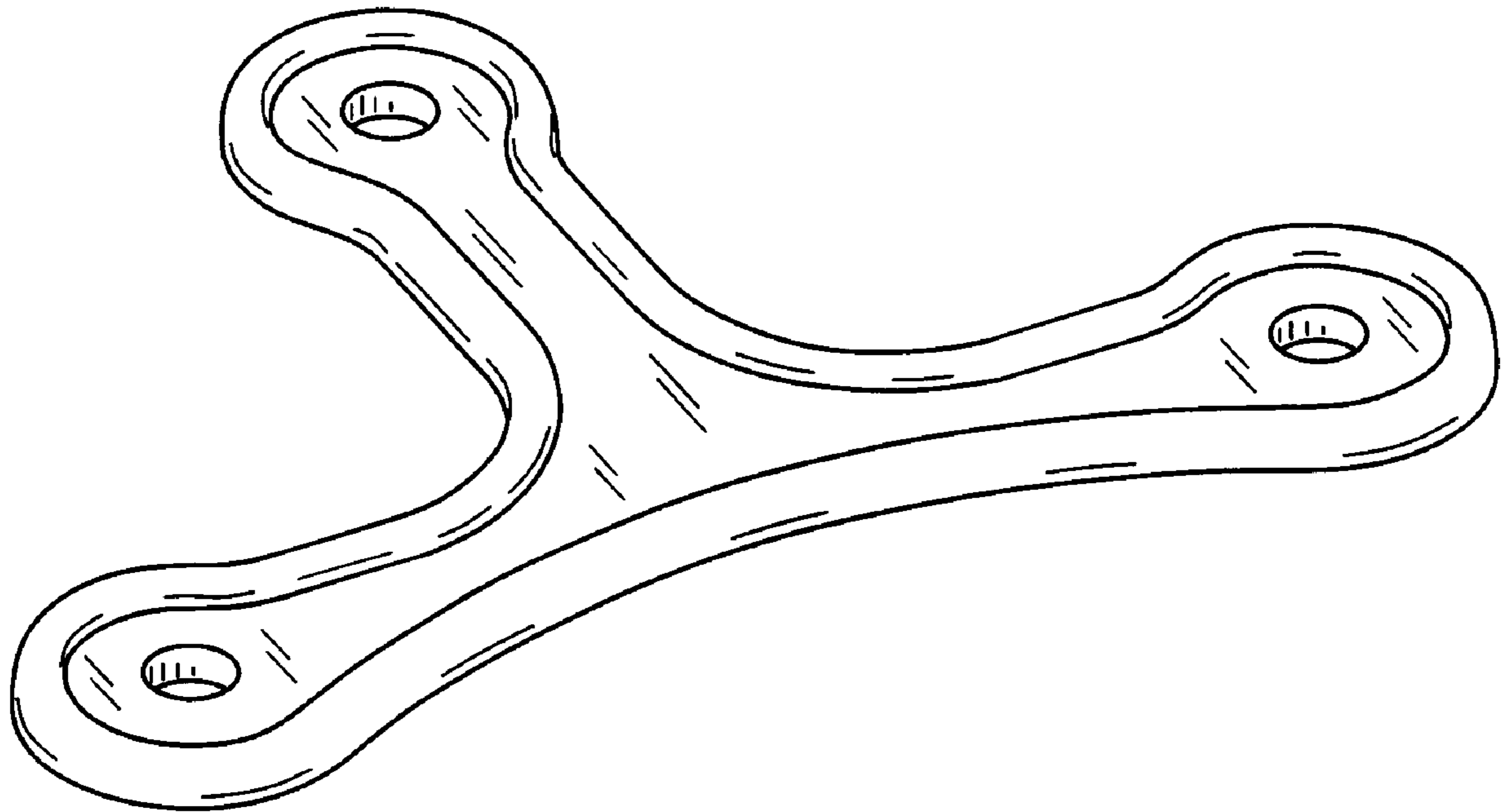
(56) **References Cited**

U.S. PATENT DOCUMENTS

- D. 303,420 * 9/1989 Huber et al. D22/116
- D. 406,303 * 3/1999 Ramsey D22/100 X
- 4,205,475 * 6/1980 Wilson 42/90
- 4,334,376 * 6/1982 Winslow 42/90
- 5,806,227 * 9/1998 Yoder 42/90

FIG. 1 is a perspective view of a holder for protective lid showing my new design;
FIG. 2 is a front elevational view thereof;
FIG. 3 is a sectional view taken along line 3—3 in FIG. 2 thereof;
FIG. 4 is a rear elevational view thereof;
FIG. 5 is a right side elevational view thereof;
FIG. 6 is a left side elevational view thereof;
FIG. 7 is a top plan view thereof; and,
FIG. 8 is a bottom plan view thereof.

1 Claim, 2 Drawing Sheets



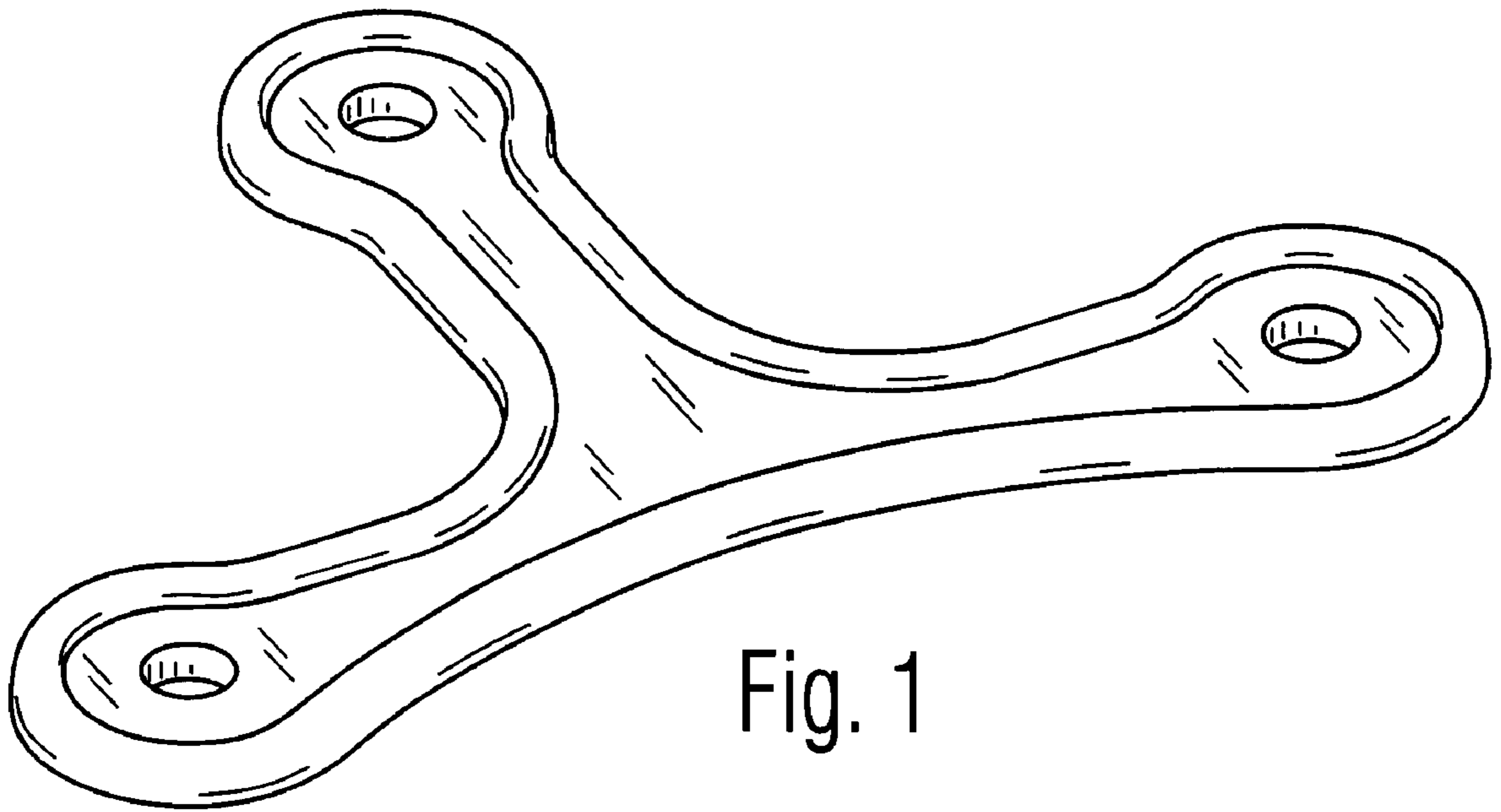


Fig. 1

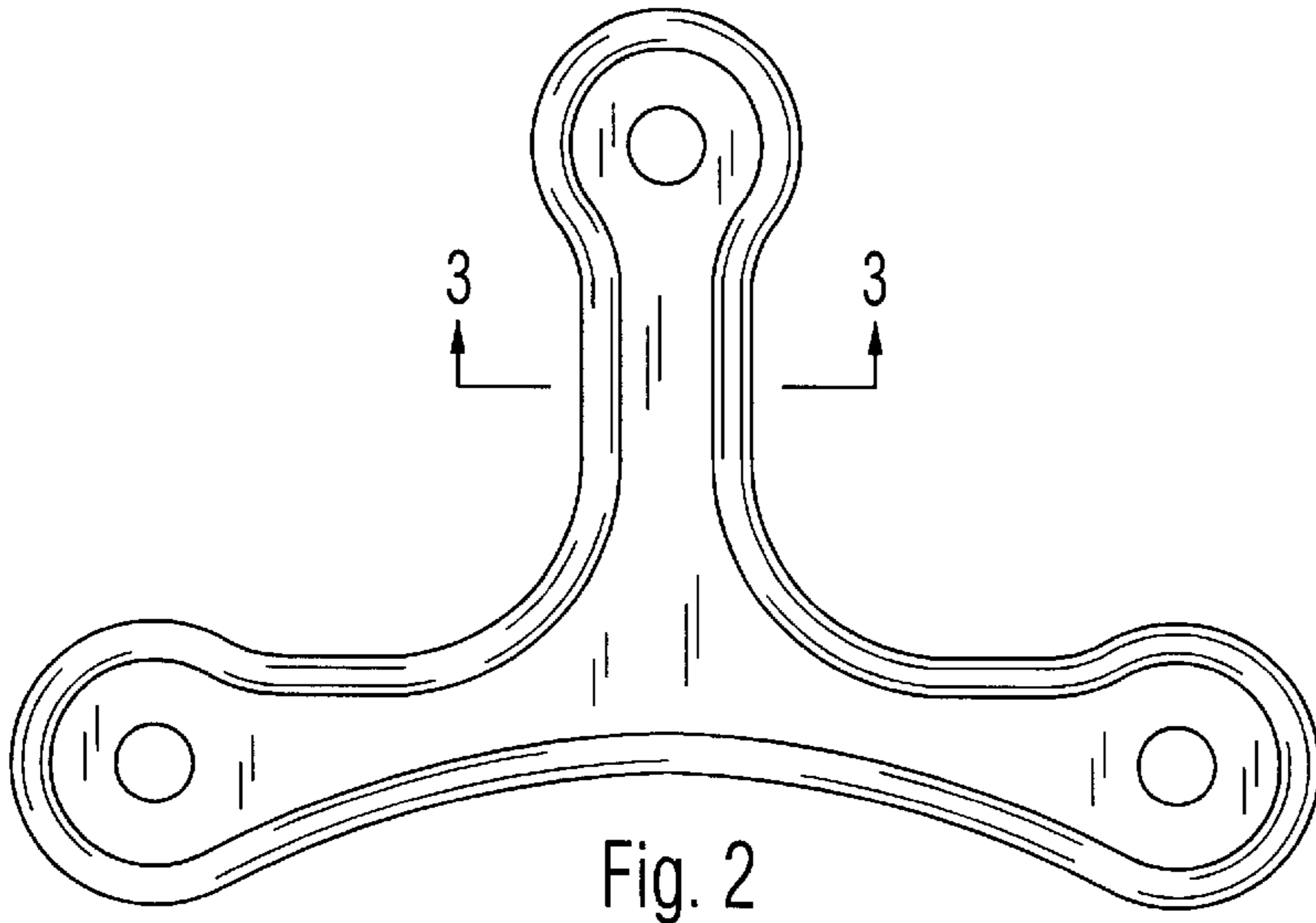


Fig. 2



Fig. 3

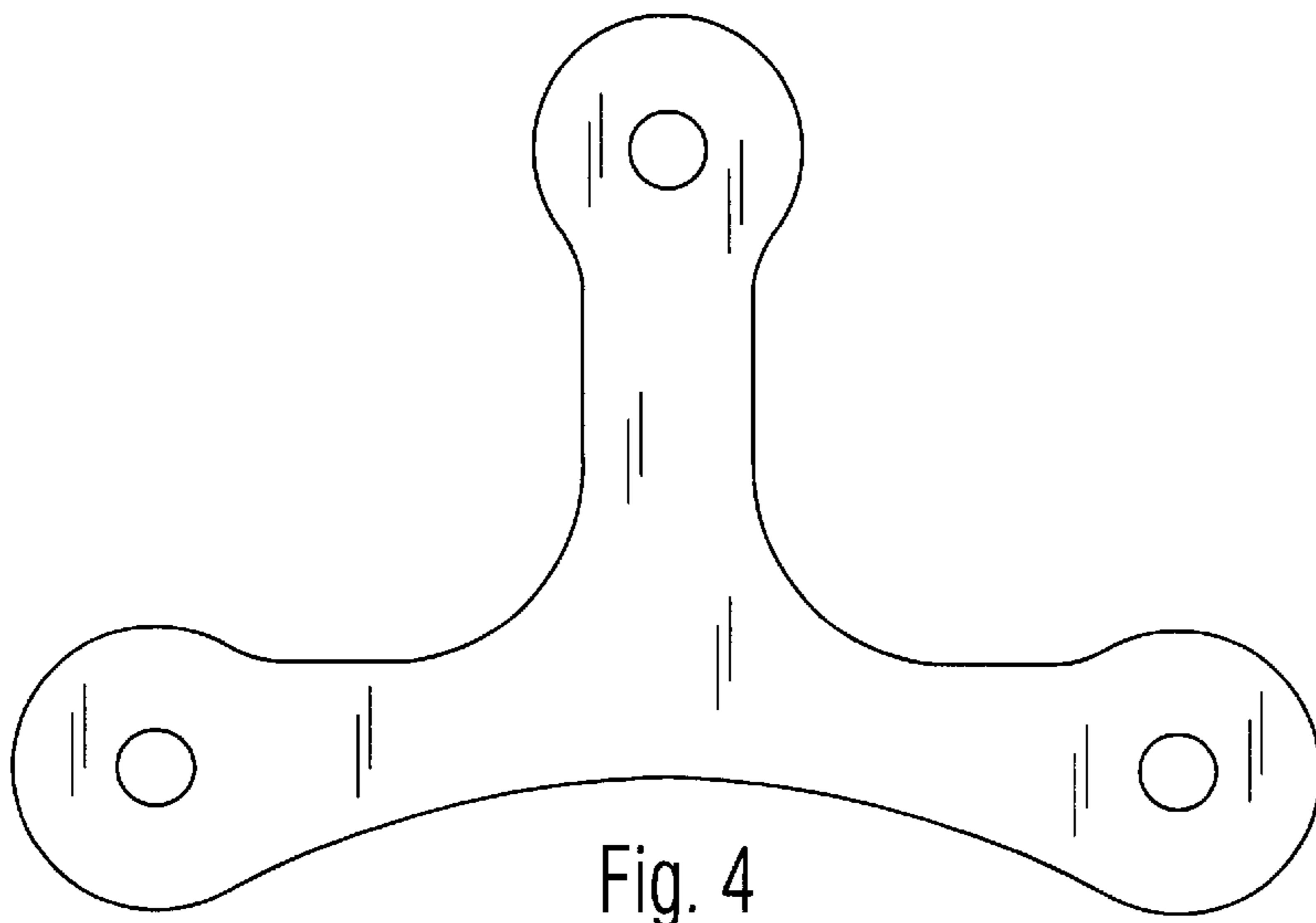


Fig. 4



Fig. 5

Fig. 6

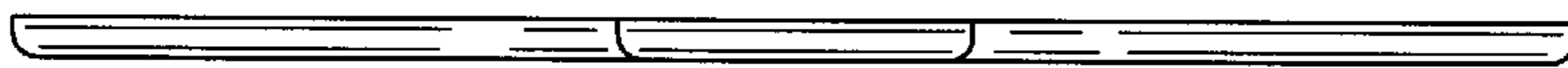


Fig. 7

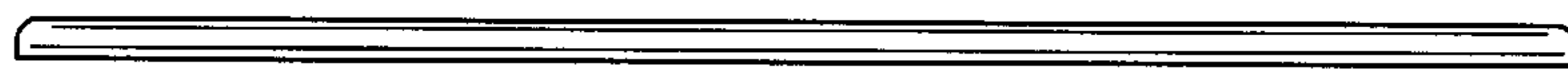


Fig. 8