



US00D451162B1

(12) **United States Design Patent**  
**Spiers**

(10) **Patent No.:** **US D451,162 S**

(45) **Date of Patent:** **\*\* Nov. 27, 2001**

(54) **COLLAPSIBLE SNOW SCOOTER**

(75) **Inventor:** **Ivan Malcolm Spiers**, Newport Beach, CA (US)

(73) **Assignee:** **Nzania, LLC**, Irvine, CA (US)

(\*\*) **Term:** **14 Years**

(21) **Appl. No.:** **29/133,100**

(22) **Filed:** **Nov. 22, 2000**

(51) **LOC (7) Cl.** ..... **21-02**

(52) **U.S. Cl.** ..... **D21/767; D21/423**

(58) **Field of Search** ..... D21/760, 761, D21/766, 767, 763, 764, 765, 775, 776, 777, 779, 423; 280/7.12, 14.2, 14.3, 14.25, 14.28, 16, 20, 22, 28, 87.041, 205

(56) **References Cited**

**U.S. PATENT DOCUMENTS**

- D. 213,790 \* 4/1969 Berglund ..... D21/423
- 1,968,975 \* 8/1934 Upsacker ..... 280/16
- 2,497,995 \* 2/1950 Julie ..... 280/7.12

- 4,708,353 \* 11/1987 Evequoz ..... 280/16
- 4,773,656 \* 9/1988 Rygiel ..... 280/16
- 5,516,126 \* 5/1996 Myers ..... 280/14.3

\* cited by examiner

*Primary Examiner*—Kay H. Chin

(74) *Attorney, Agent, or Firm*—Stetina Brunda Garred & Brucker

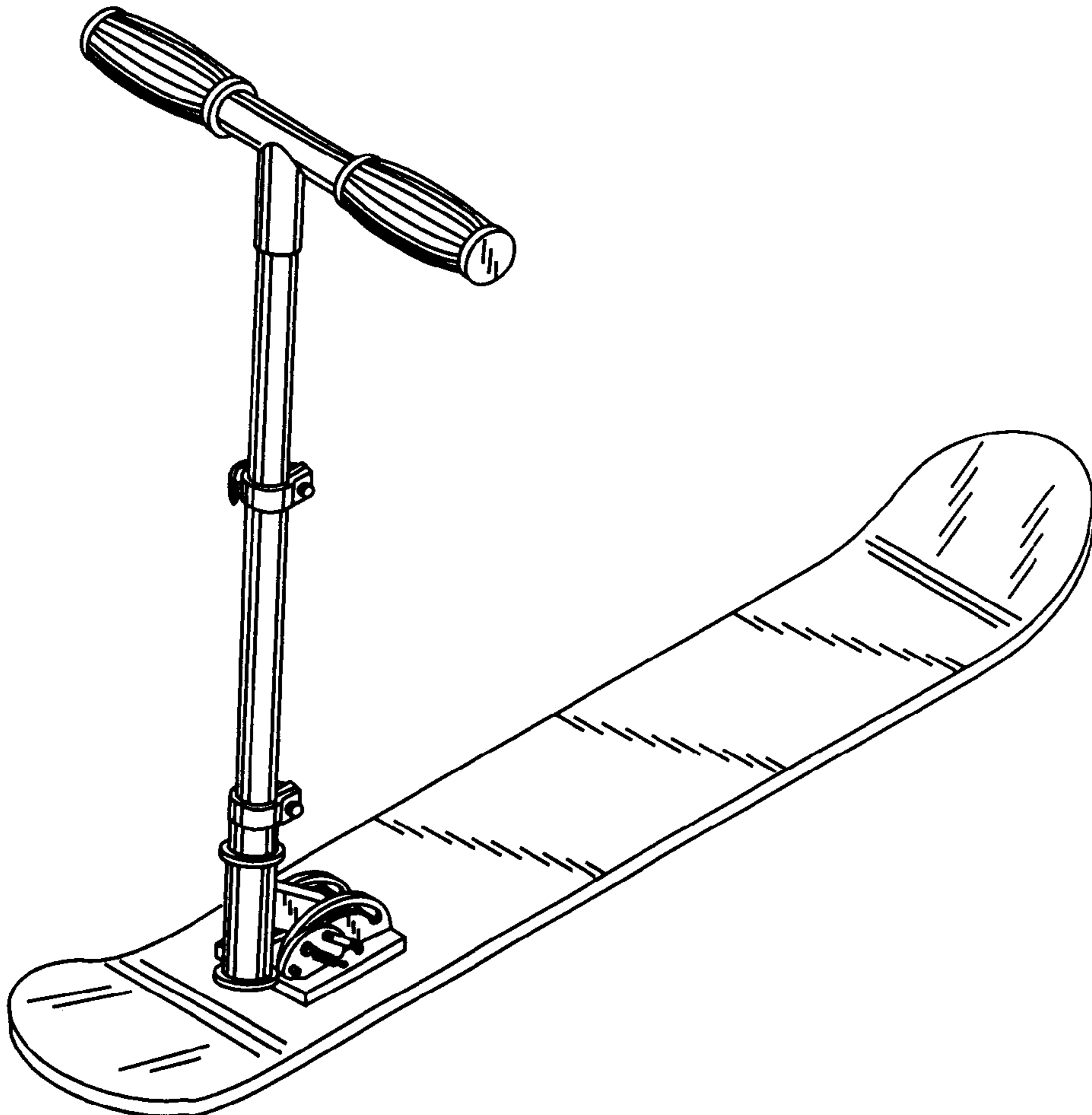
(57) **CLAIM**

The ornamental design for a collapsible snow scooter, as shown and described.

**DESCRIPTION**

FIG. 1 is a perspective view of the collapsible snow scooter of the present invention, showing my new design;  
 FIG. 2 is a side elevational view thereof;  
 FIG. 3 is a bottom plan view thereof;  
 FIG. 4 is a top plan view thereof;  
 FIG. 5 is an opposite side elevational view thereof;  
 FIG. 6 is a front elevational view thereof; and,  
 FIG. 7 is a rear elevational view thereof.

**1 Claim, 2 Drawing Sheets**



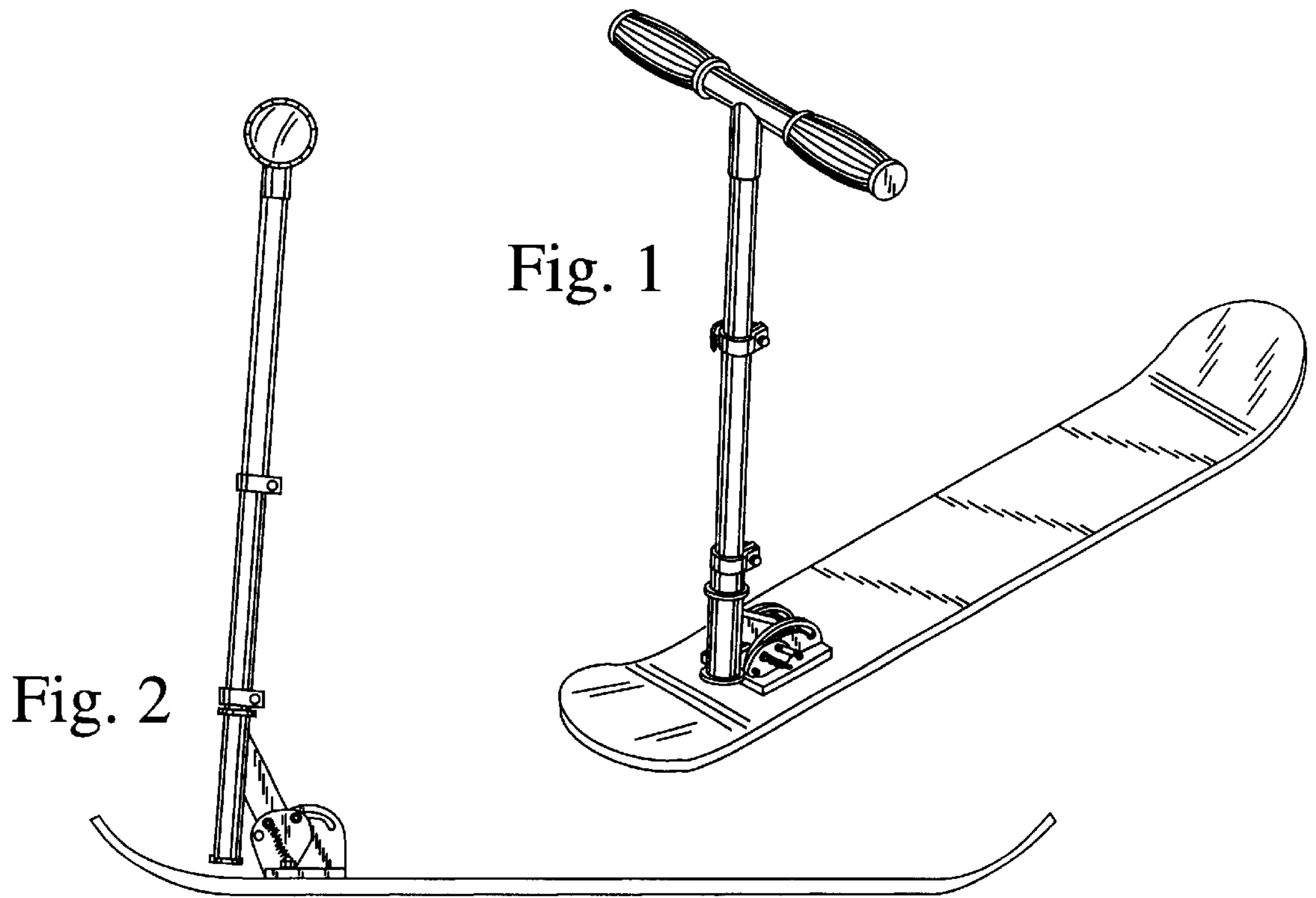


Fig. 2

Fig. 1

Fig. 3

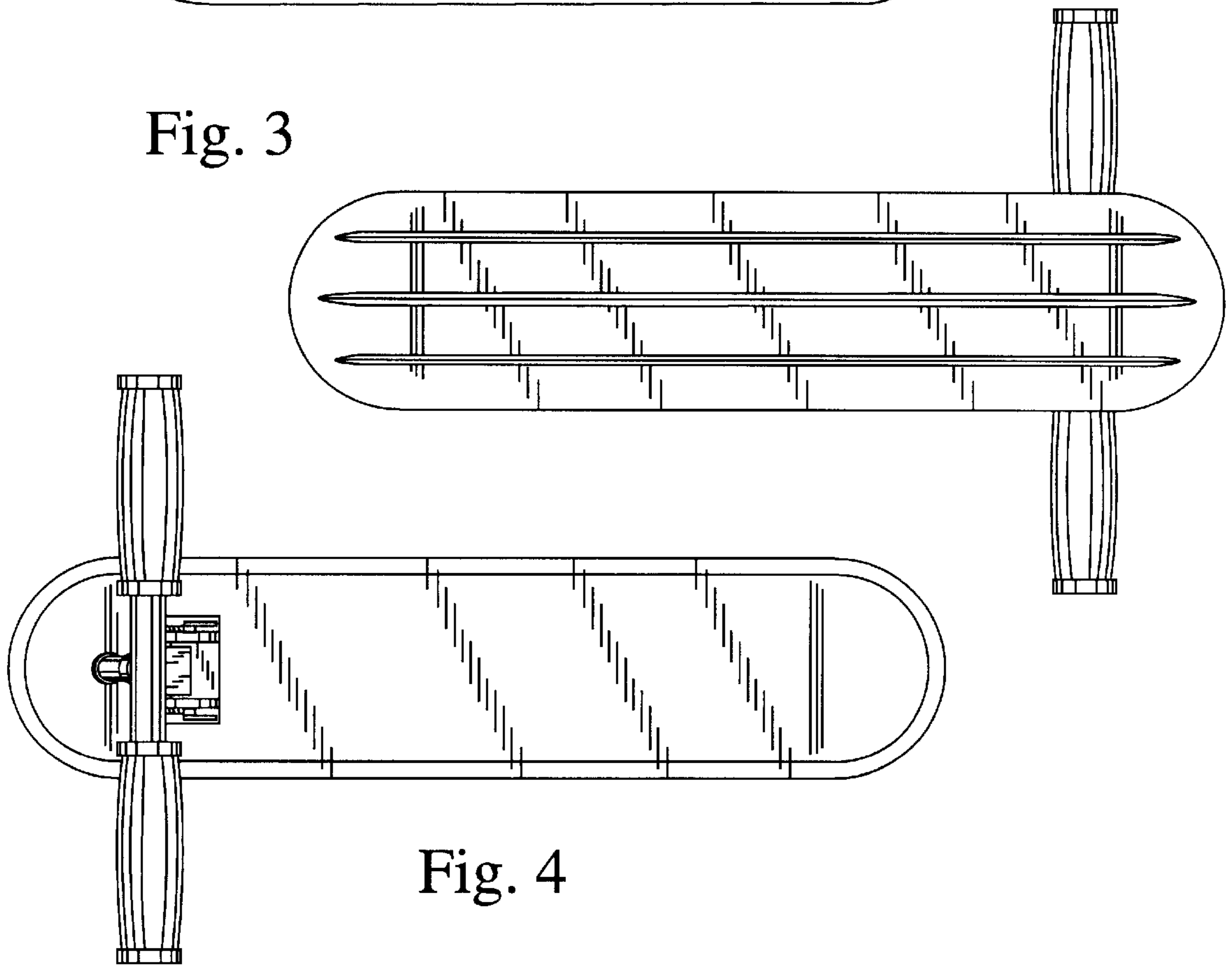


Fig. 4

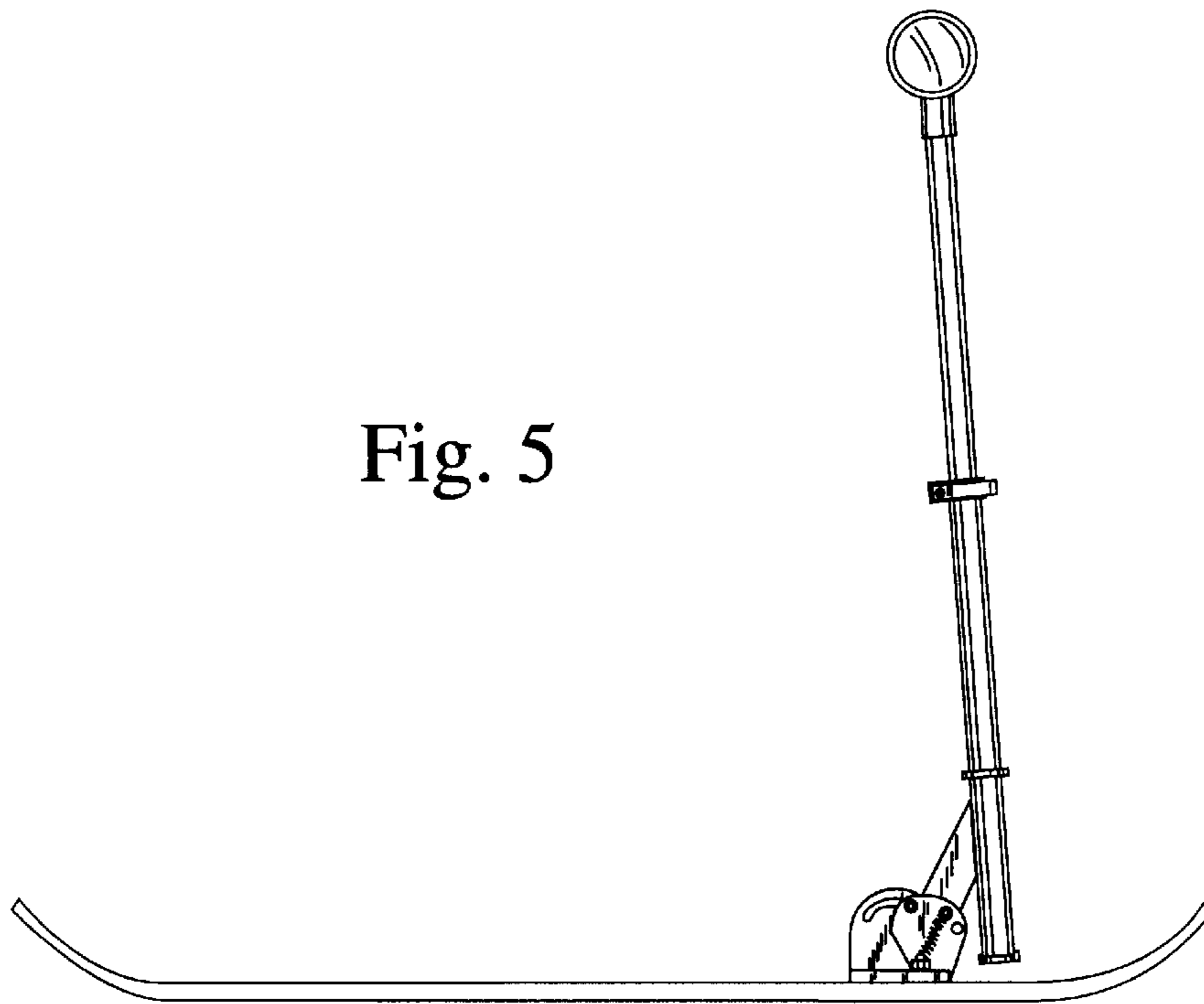


Fig. 5

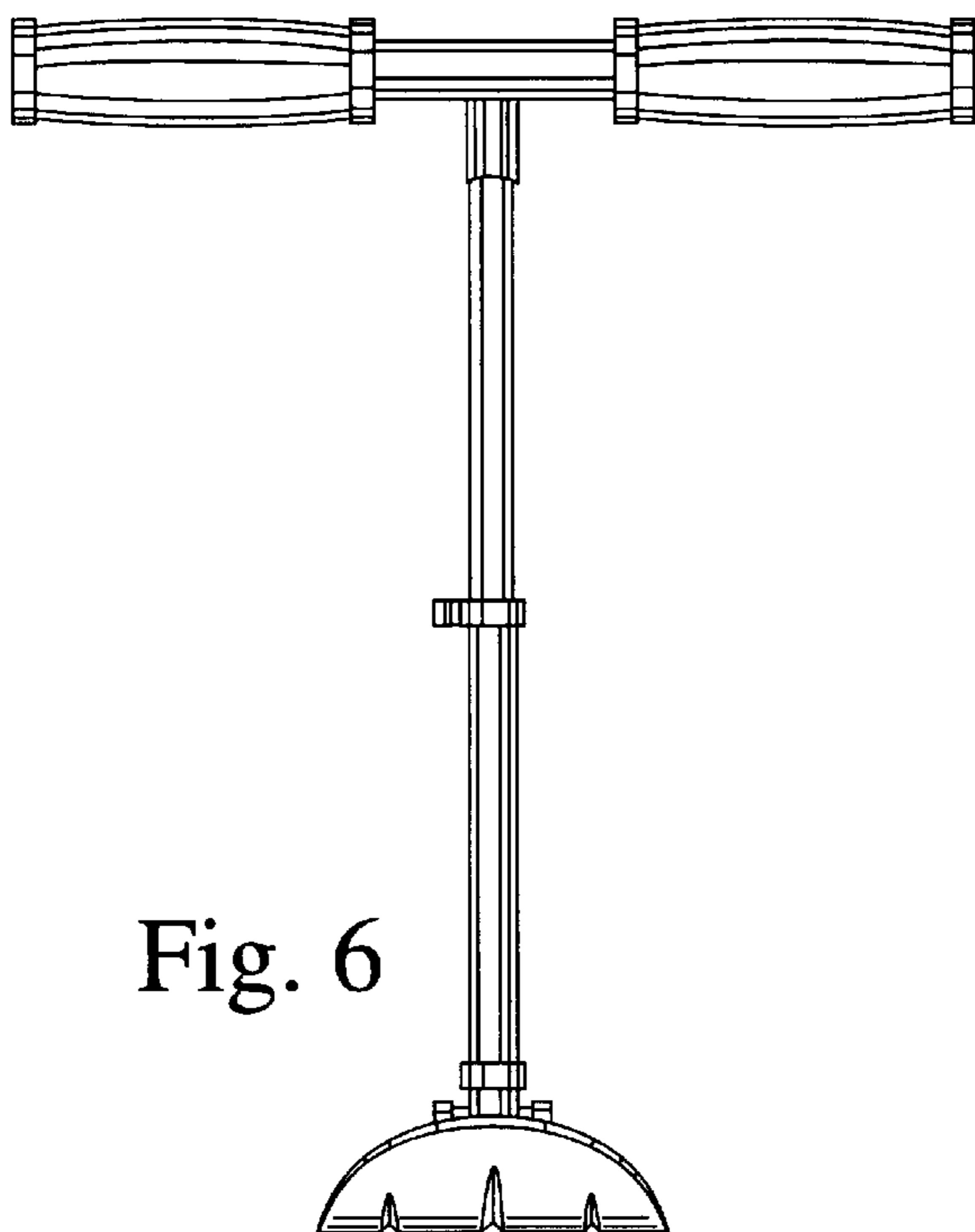


Fig. 6

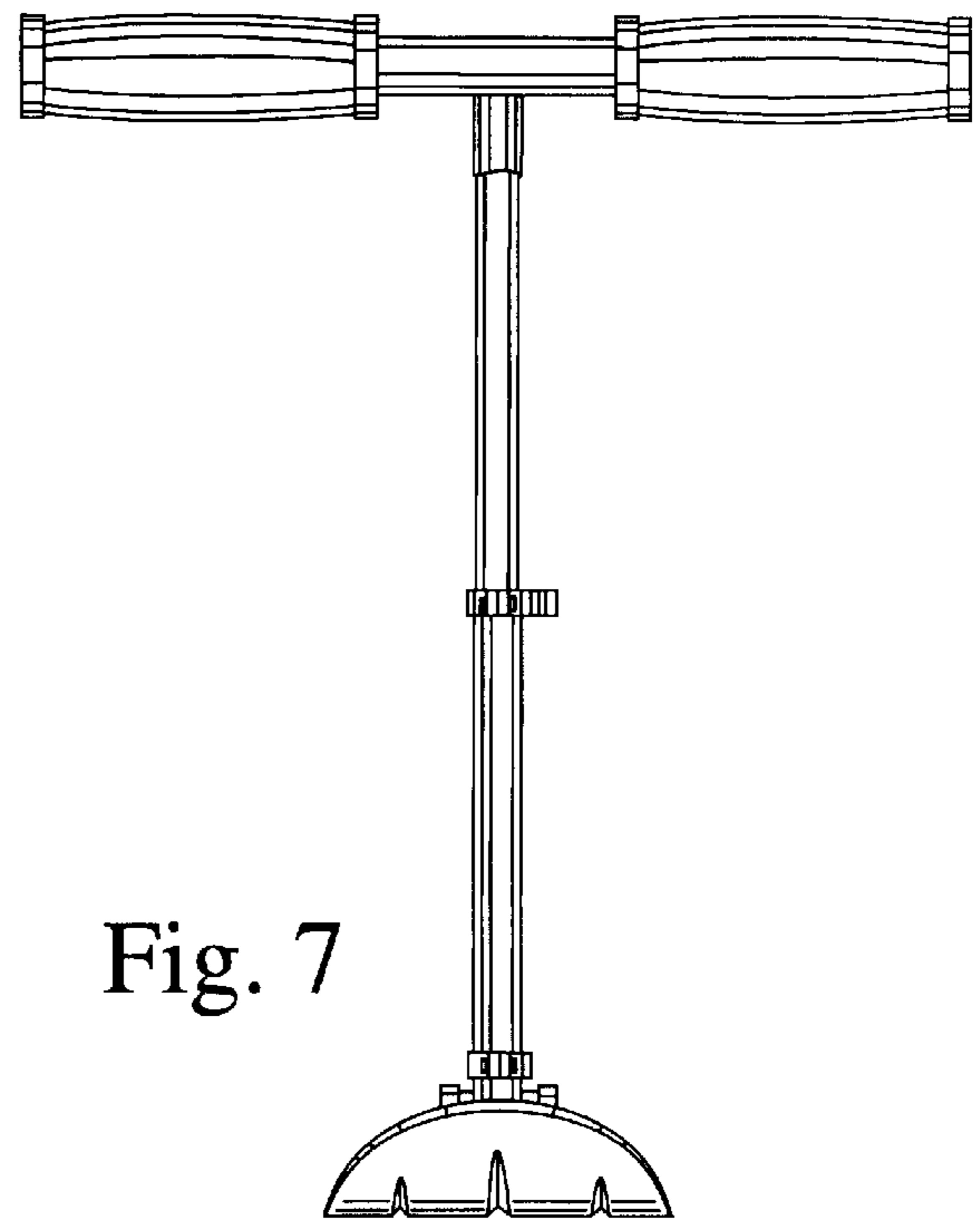


Fig. 7