



US00D451161B1

(12) **United States Design Patent**
Glod

(10) **Patent No.:** **US D451,161 S**

(45) **Date of Patent:** **** Nov. 27, 2001**

(54) **GOLF CLUB HEAD SIDE**

(76) Inventor: **David B. Glod**, 29 W. 422 Hawthorne
La., Warrenville, IL (US) 60555

(**) Term: **14 Years**

(21) Appl. No.: **29/134,587**

(22) Filed: **Dec. 22, 2000**

(51) **LOC (7) Cl.** **21-02**

(52) **U.S. Cl.** **D21/759**

(58) **Field of Search** D21/733, 752,
D21/753, 759; 473/324, 327, 328, 345,
346

(56) **References Cited**

U.S. PATENT DOCUMENTS

D. 326,885	*	6/1992	Paul	D21/733
D. 341,177	*	11/1993	Yamada	D21/752
D. 343,435		1/1994	Poincenot et al.	.	
D. 345,775		4/1994	Poincenot et al.	.	
D. 357,521		4/1995	Wittrock	.	
D. 360,925		8/1995	Antonious	.	
D. 361,813		8/1995	Guibaud et al.	.	
D. 365,616		12/1995	Lee	.	
D. 367,094	*	2/1996	Williams, Jr.	D21/752
D. 379,207		5/1997	Besnard et al.	.	
D. 383,818	*	9/1997	Williams, Jr.	D21/752
D. 390,616	*	2/1998	Maltby	D21/733
D. 396,512		7/1998	Besnard et al.	.	
D. 397,178		8/1998	Havens et al.	.	
D. 398,681		9/1998	Galy	.	
D. 411,272		6/1999	Burrows	.	
D. 415,886		11/1999	Holmes	.	
D. 425,953		5/2000	Glod	.	
D. 429,298		8/2000	Butler	.	
D. 435,616		12/2000	Glod	.	
1,541,126	*	6/1925	Dunn	473/328
1,844,812		2/1932	Thorpe	.	
4,850,593	*	7/1989	Nelson	473/328
5,447,311		9/1995	Viollaz et al.	.	
5,643,112		7/1997	Besnard et al.	.	
5,766,092		6/1998	Mimeur et al.	.	
5,792,005		8/1998	Sieleman et al.	.	
5,833,551		11/1998	Vincent et al.	.	

OTHER PUBLICATIONS

Trademark application published in the U.S. Patent and Trademark Office Trademark Gazette by Taylor Made Golf Company, Inc./U.S. Patent and Trademark Office on Feb. 9, 1999.

http://www.yrc.co.jp/prgr/catalog/zoom_i.html published by PRGR.

<http://www.taylormadegolf.com/tmg/proshop/rescue/rescue.html> published by Taylor Made Golf Company in 1999.

<http://www.taylormadegolf.com/tmg/proshop/iron/fsiron.html> published by Taylor Made Golf Company in 1999.

Tour Edge Brochure published by Tour Edge Golf Manufacturing Company.

Tour Edge Brochure published by Tour Edge Golf Manufacturing Company.

Tour Edge Brochure published by Tour Edge Golf Manufacturing Company.

* cited by examiner

Primary Examiner—Mitchell Siegel

(74) *Attorney, Agent, or Firm*—Bell, Boyd & Lloyd LLC

(57) **CLAIM**

The ornamental design for a golf club head side, as shown and described.

DESCRIPTION

This application is related to the following commonly-owned co-pending design patent applications: "Golf Club Head," Ser. No. 29/134,594, and "Golf Club Head Bottom," Ser. No. 29/134,595.

FIG. 1 is a top front perspective view of a golf club head showing the golf club head side of my new design, that portion of the golf club head shown in phantom is not part of the design sought to be patented and is provided for environmental purposes only;

FIG. 2 is a toe end elevational view thereof;

FIG. 3 is a heel end elevational view thereof;

FIG. 4 is a rear elevational view thereof; and,

FIG. 5 is a rear bottom perspective view thereof.

1 Claim, 1 Drawing Sheet

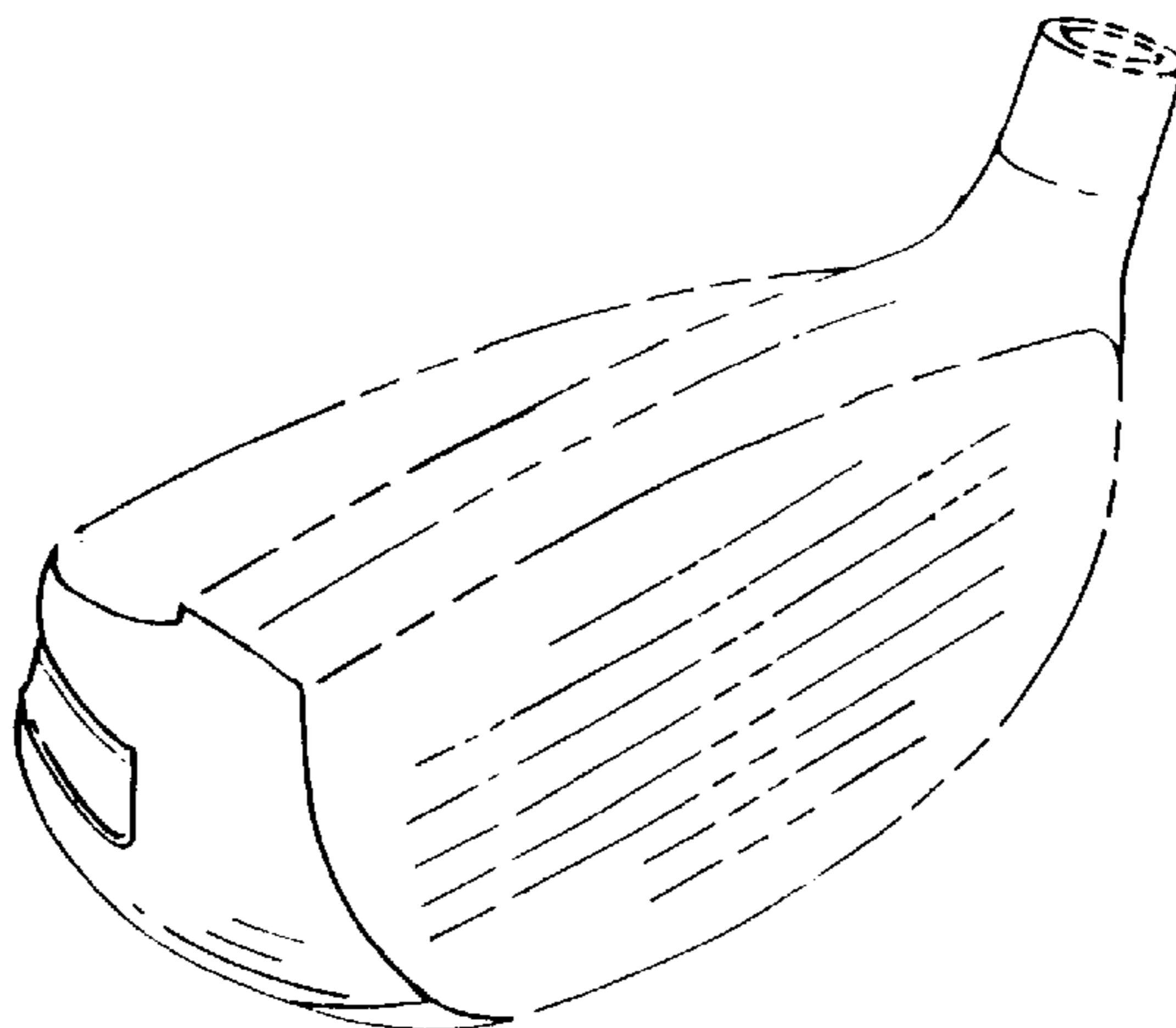


FIG. 1

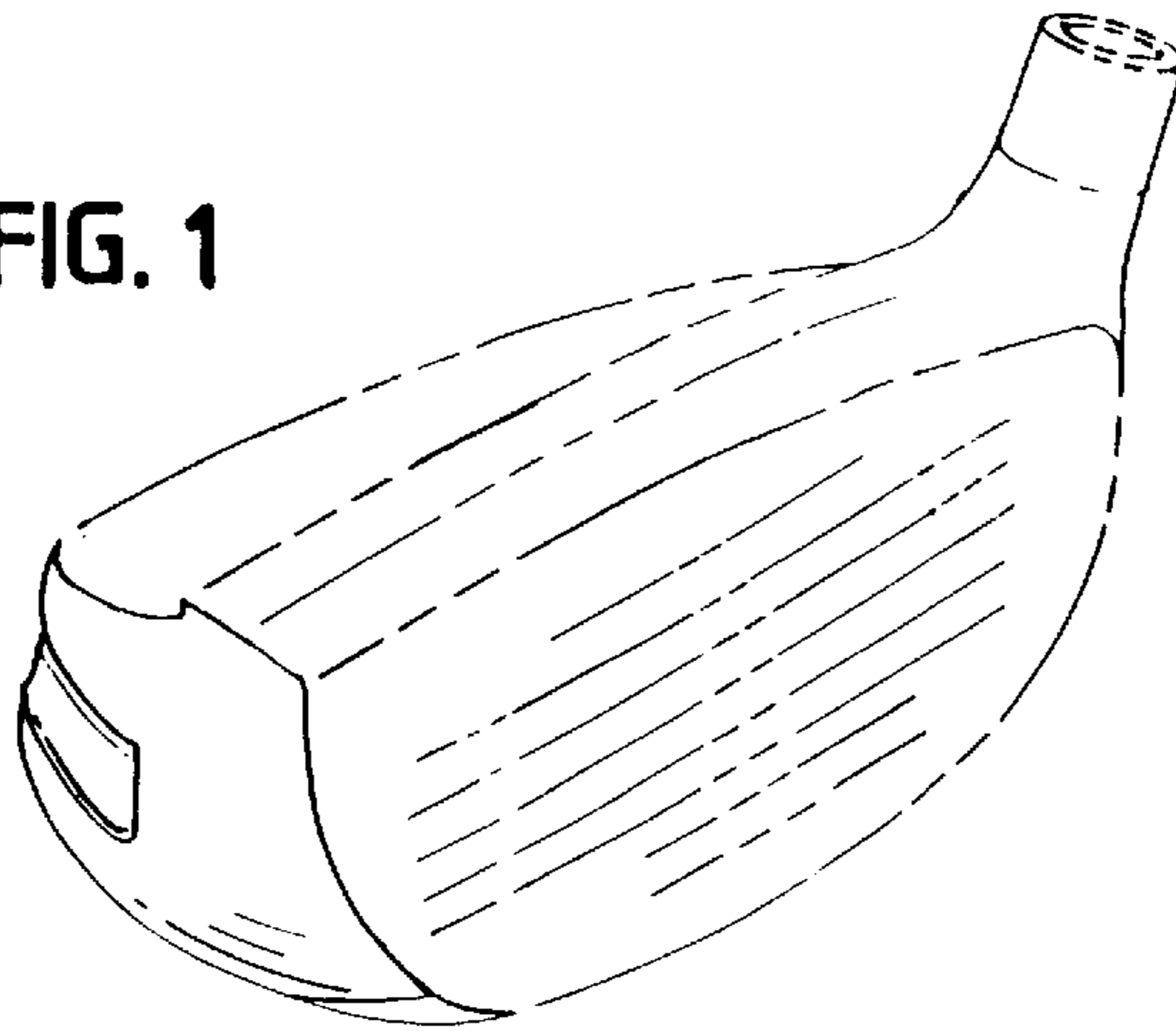


FIG. 2

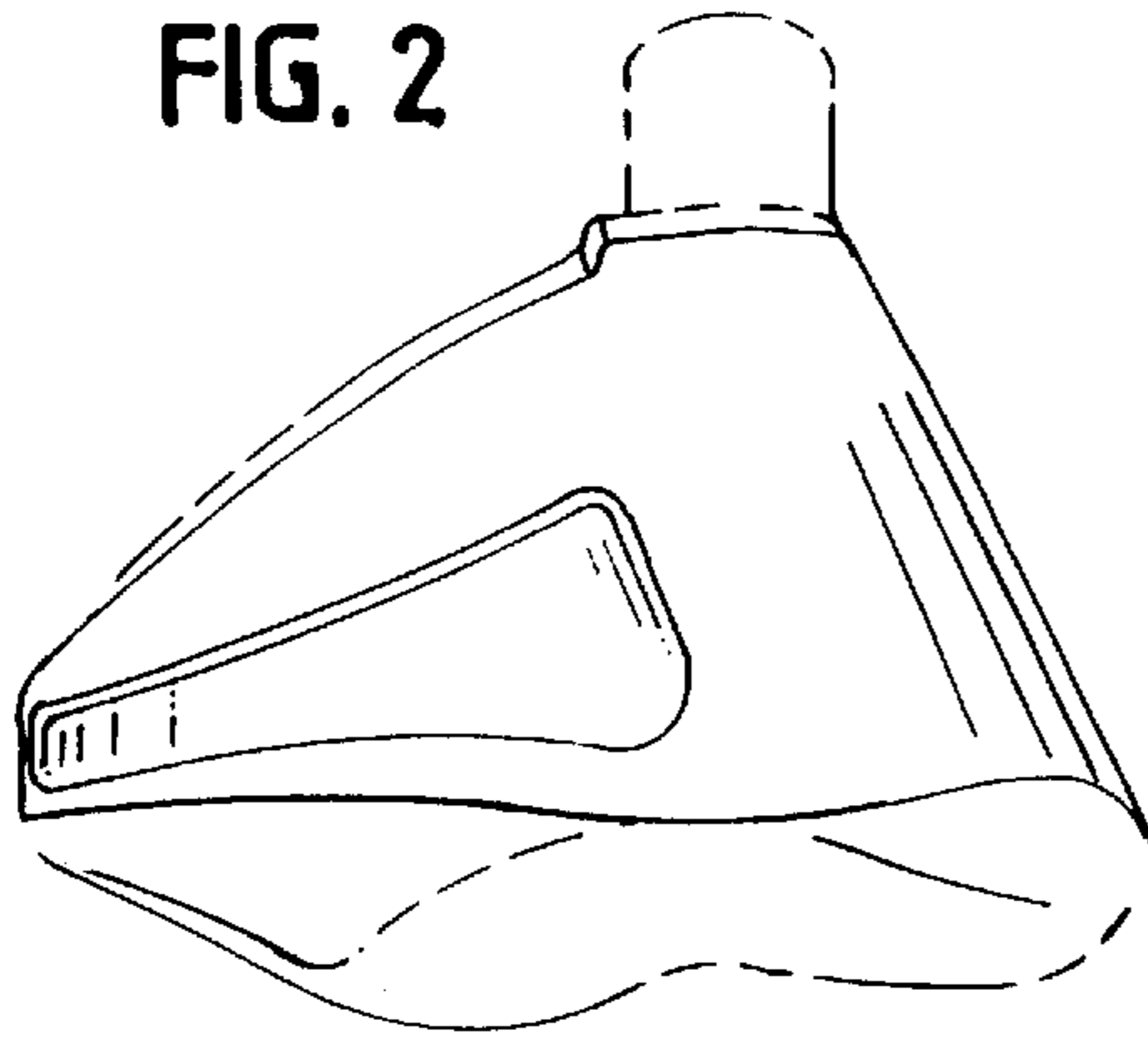


FIG. 3

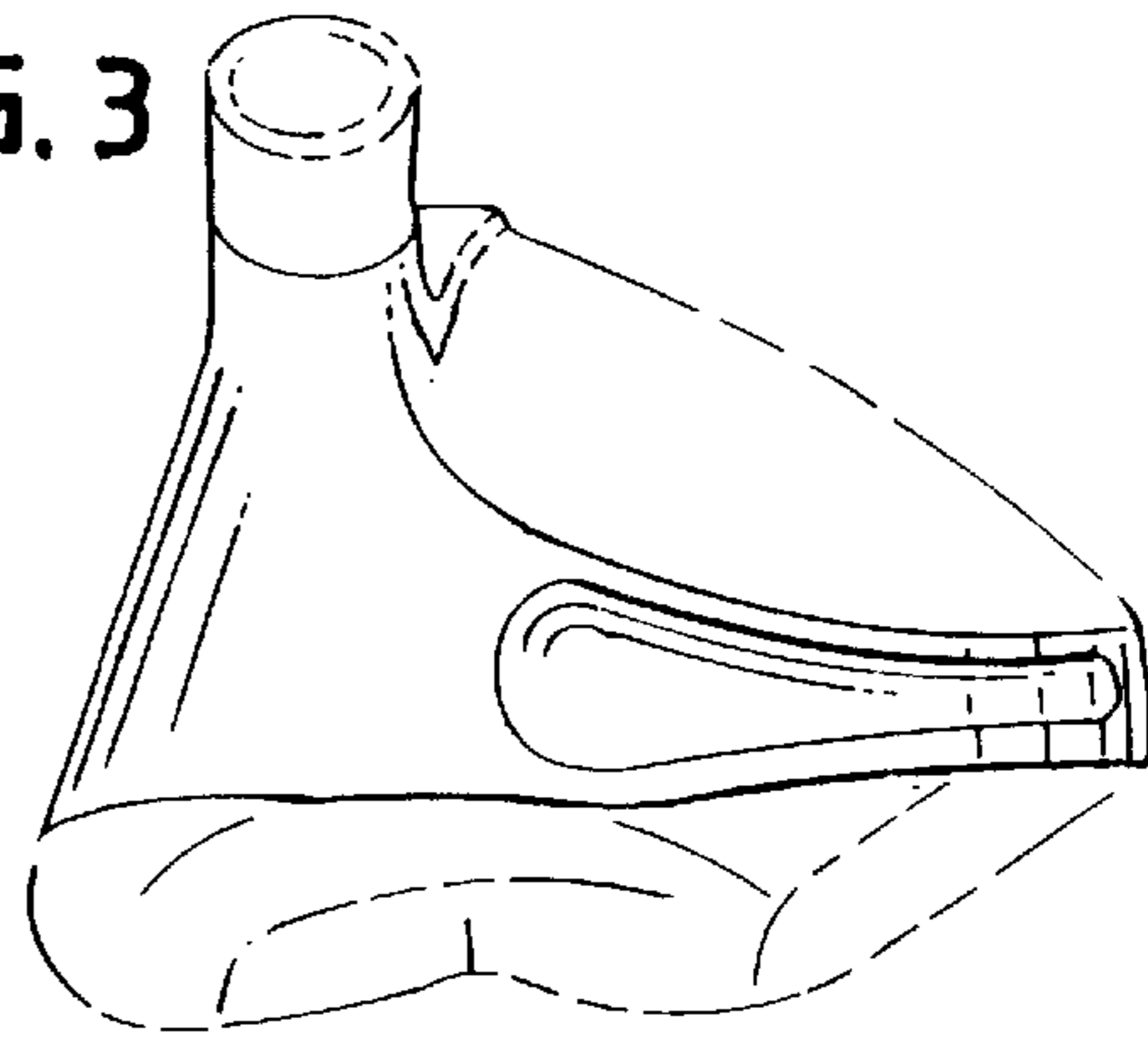


FIG. 4

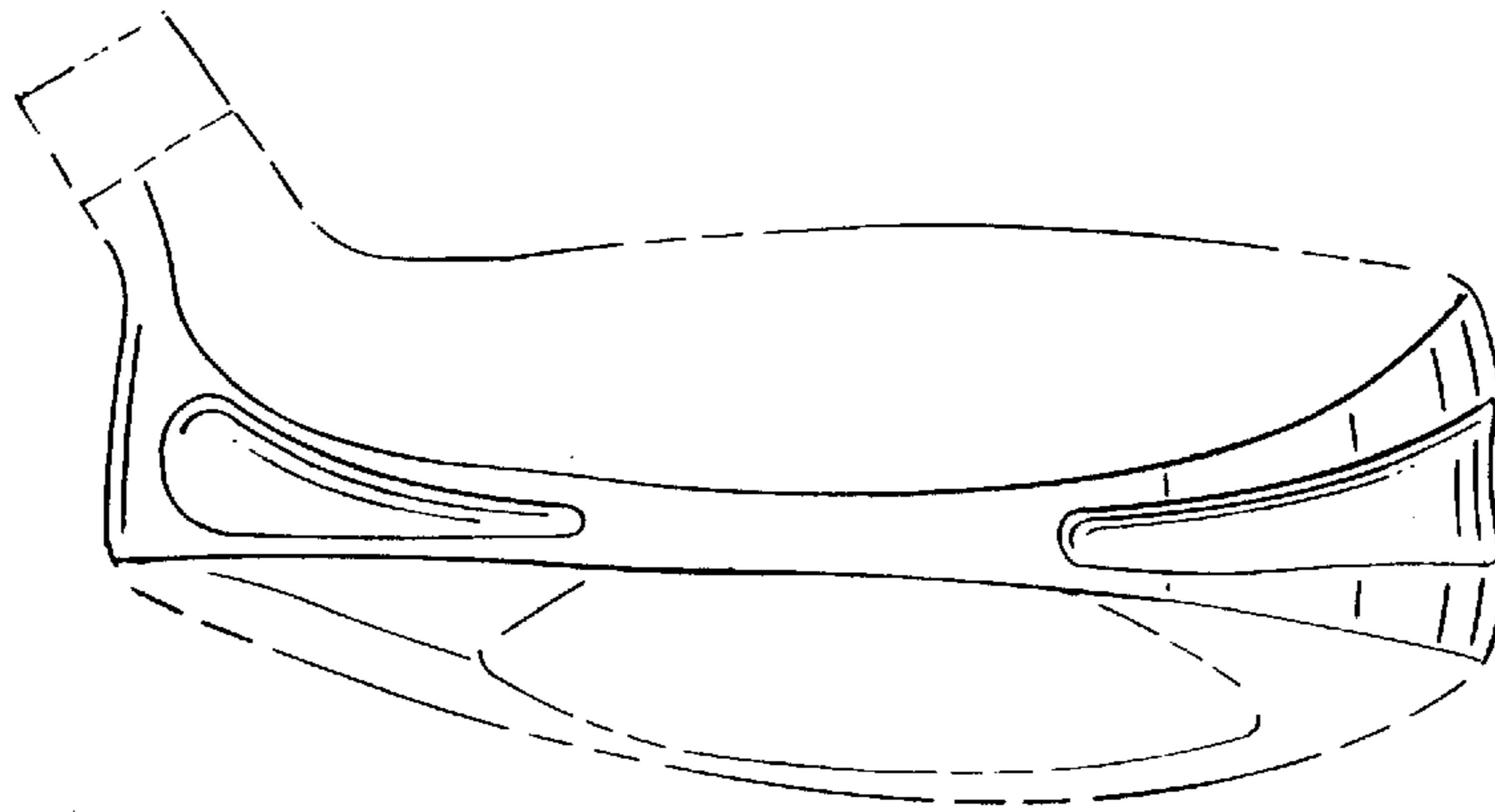


FIG. 5

