



US00D451157B2

(12) **United States Design Patent**
Brookes

(10) **Patent No.:** **US D451,157 S**

(45) **Date of Patent:** **** Nov. 27, 2001**

(54) **EXERCISE AND TRAINING DEVICE**

(76) **Inventor:** **John Brookes**, 14 Bolsover Street,
Sheffield S3 7NA (GB)

(**) **Term:** **14 Years**

(21) **Appl. No.:** **29/110,685**

(22) **Filed:** **Sep. 10, 1999**

(51) **LOC (7) Cl.** **21-02**

(52) **U.S. Cl.** **D21/662; D21/719**

(58) **Field of Search** **D21/719, 662;**
473/429, 430, 423, 451, 424, 425

(56) **References Cited**

U.S. PATENT DOCUMENTS

3,731,925	*	5/1973	Caldwell	473/424
4,307,888	*	12/1981	Ohle	473/429
4,462,599	*	7/1984	Brown	473/430
4,576,379	*	3/1986	Juhasz	473/430
4,616,834	*	10/1986	Davis	473/430

5,398,940	*	3/1995	Derst, III	473/430
5,433,435	*	7/1995	Bourie	473/424
5,553,848	*	9/1996	Amron	473/429
5,989,137	*	9/1999	Krueger	473/423

* cited by examiner

Primary Examiner—Philip S. Hyder

(74) *Attorney, Agent, or Firm*—Rader, Fishman & Grauer,
PLLC

(57) **CLAIM**

The ornamental design for an exercise and training device,
as shown and described.

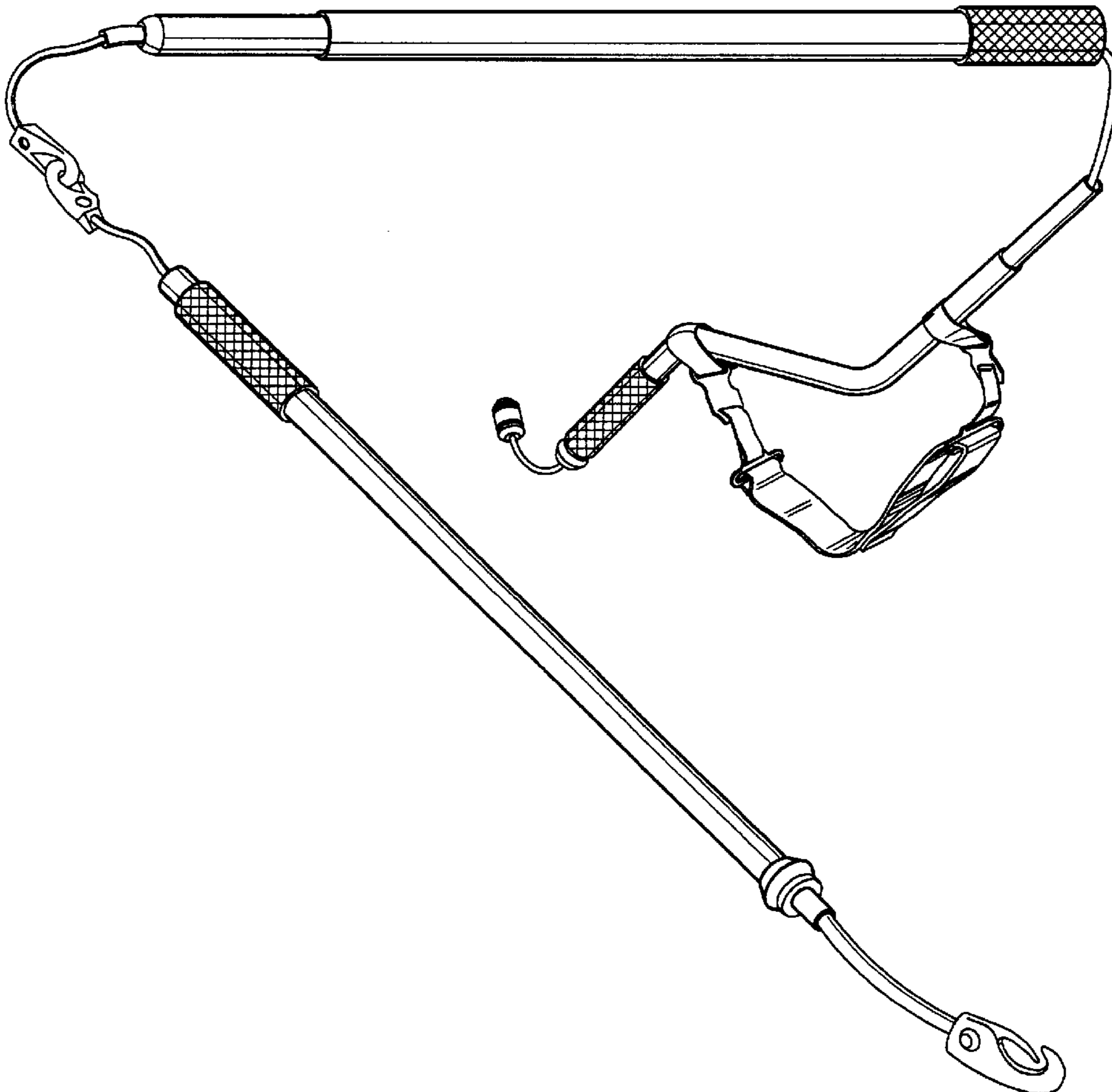
DESCRIPTION

FIG. 1 is a front perspective view of the exercise and training
device of the present invention.

FIG. 2 is a front/left side perspective view of the exercise
and training device of the present invention; and,

FIG. 3 is a rear perspective view of the exercise and training
device of the present invention.

1 Claim, 3 Drawing Sheets



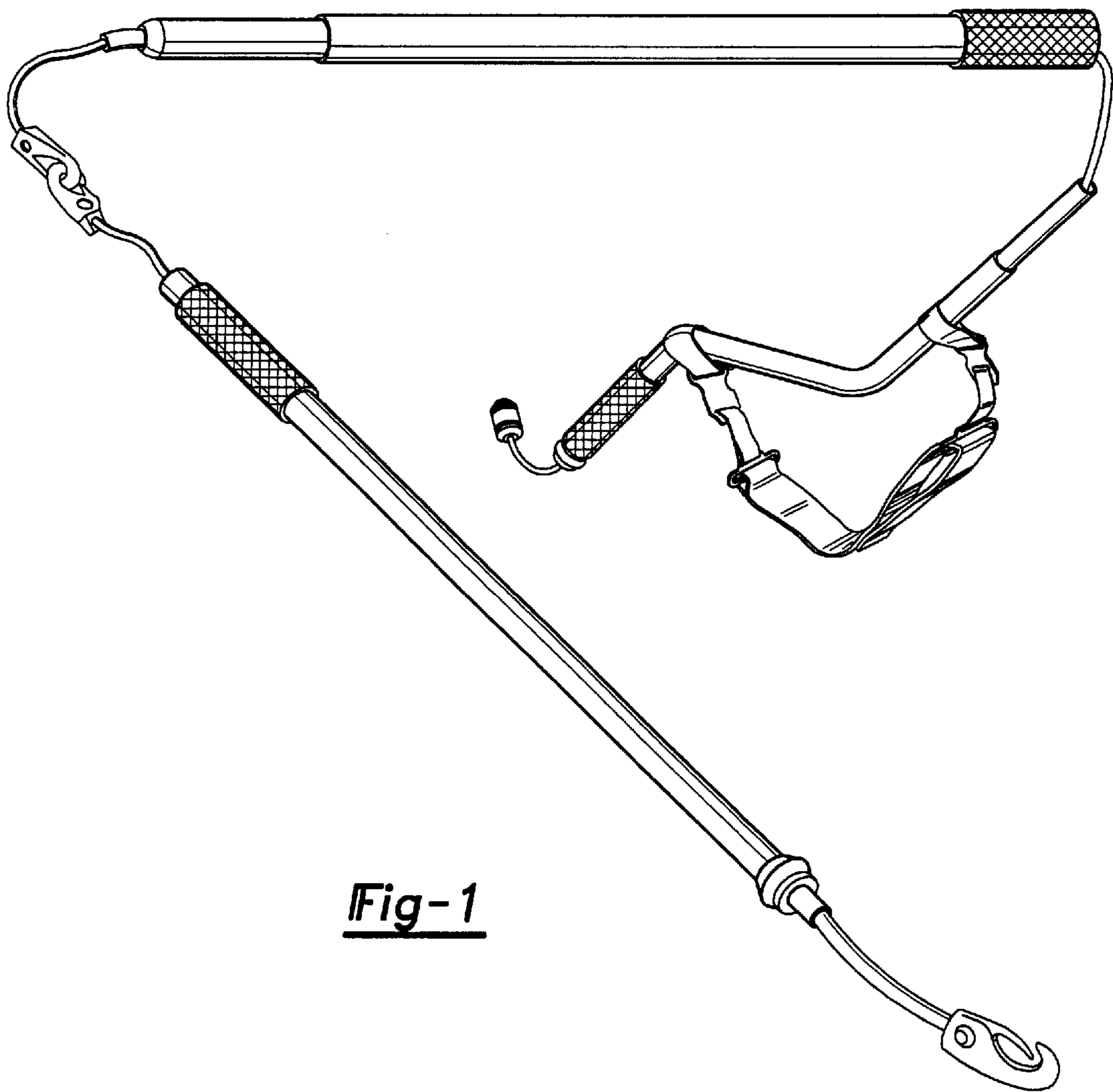


Fig-1

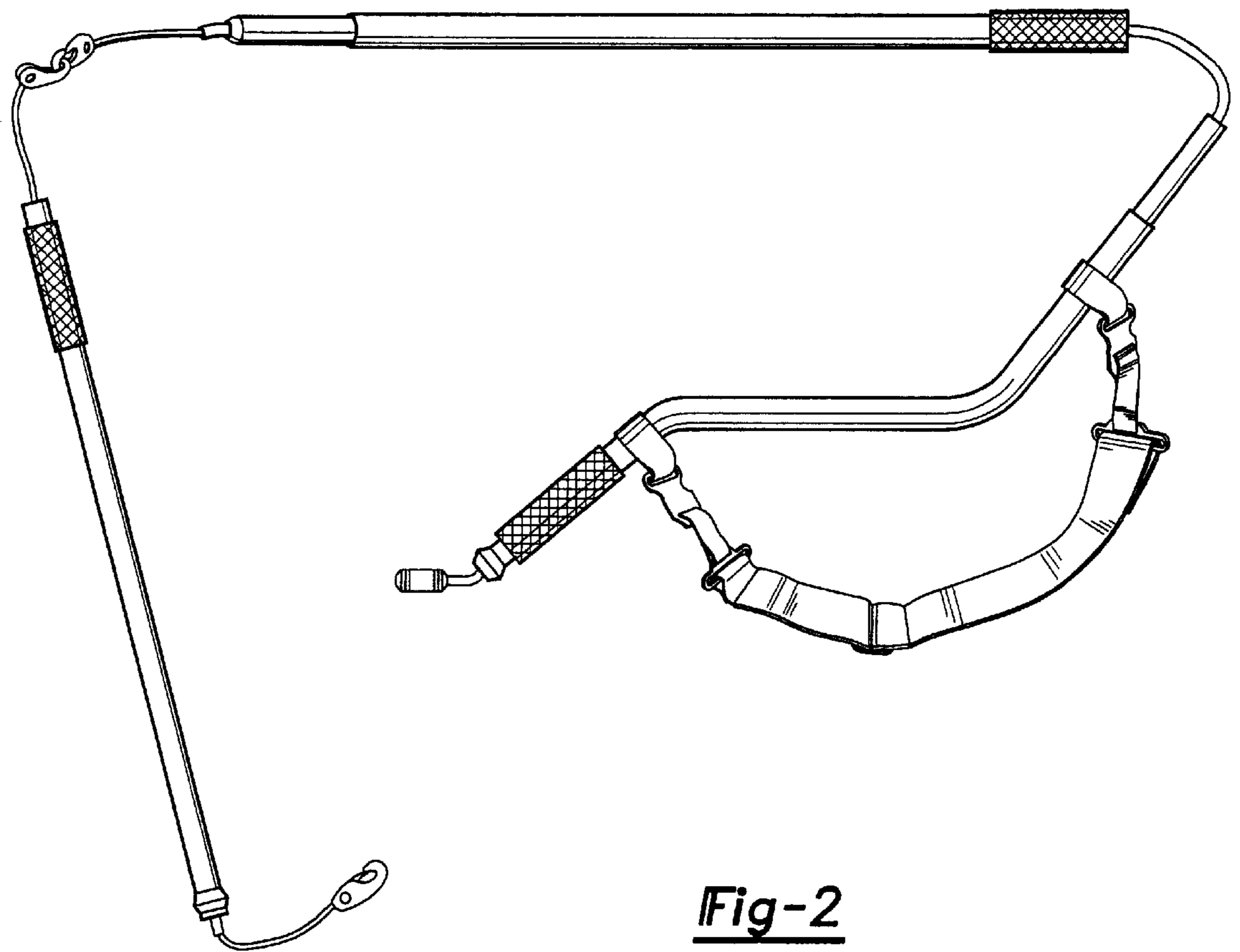


Fig-2

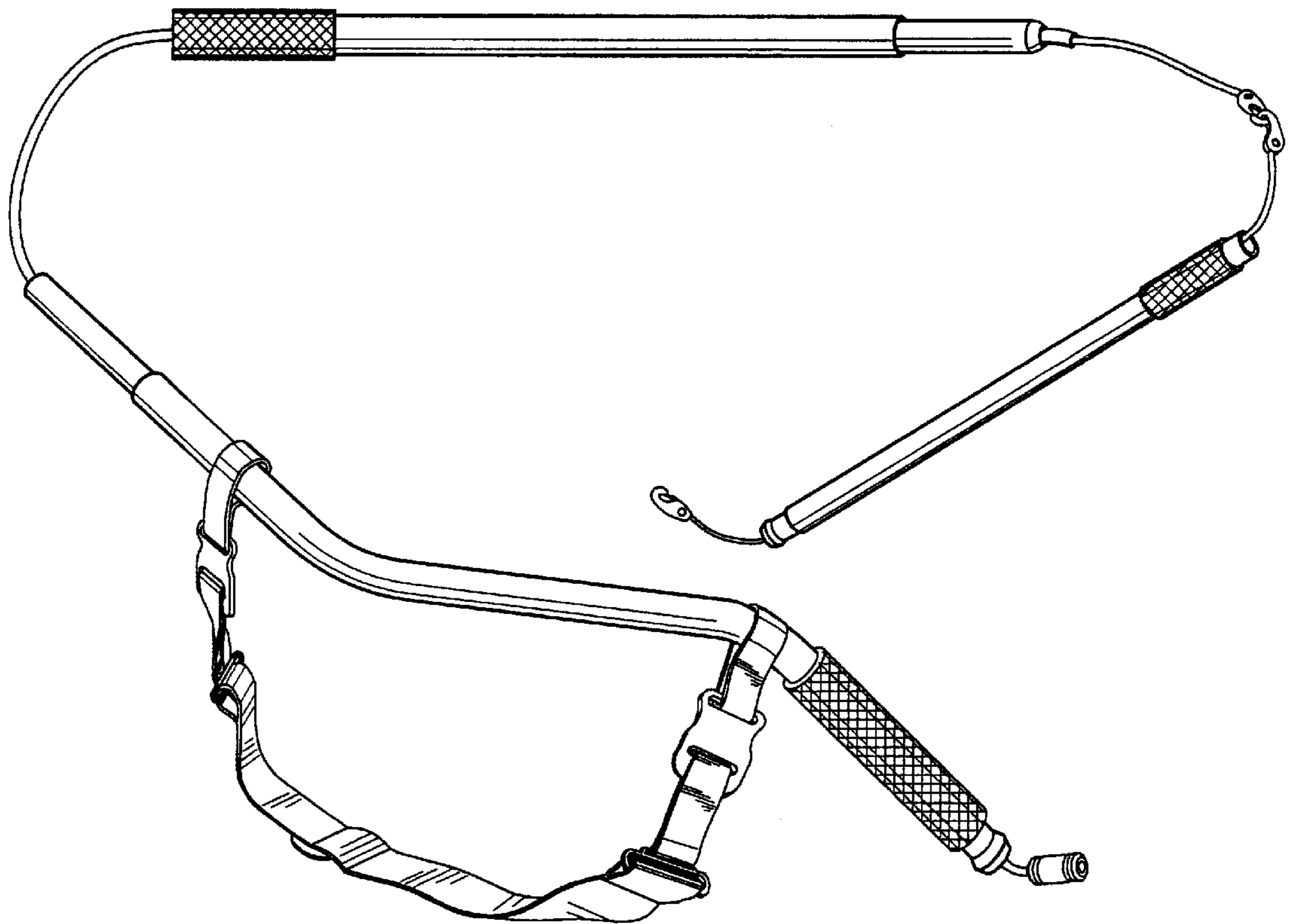


Fig-3