



US00D451155B1

(12) **United States Design Patent**
Yamazaki

(10) **Patent No.:** **US D451,155 S**

(45) **Date of Patent:** **** Nov. 27, 2001**

(54) **TOY SHIP**

(75) Inventor: **Tomohiro Yamazaki**, Tokyo (JP)

(73) Assignee: **Tomy Company, Ltd.**, Tokyo (JP)

(**) Term: **14 Years**

(21) Appl. No.: **29/139,328**

(22) Filed: **Mar. 29, 2001**

(51) **LOC (7) Cl.** **21-01**

(52) **U.S. Cl.** **D21/542; D21/544**

(58) **Field of Search** **D21/542-547,**
D21/419, 427; D12/92, 100; 446/160, 428,
447, 456, 465, 470; 280/1.13, 828, 87.021

(56) **References Cited**

U.S. PATENT DOCUMENTS

D. 70,630	*	7/1926	Scharff	D21/544
D. 197,181	*	12/1963	Markham	D21/544
D. 352,541	*	11/1994	Shull et al.	D21/544
D. 370,036	*	5/1996	Jaeb et al.	D21/544
4,723,930	*	2/1988	Freese et al.	446/160

OTHER PUBLICATIONS

Playmobil Catalog, p16, 1995.*

* cited by examiner

Primary Examiner—Raphael Barkai

(74) *Attorney, Agent, or Firm*—Oliff & Berridge, PLC

(57) **CLAIM**

The ornamental design for toy ship, as shown and described.

DESCRIPTION

FIG. 1 is a perspective view of a toy ship showing my new design;

FIG. 2 is a front view thereof;

FIG. 3 is a rear view thereof;

FIG. 4 is a top view thereof;

FIG. 5 is a bottom view thereof;

FIG. 6 is a left-side view thereof; and,

FIG. 7 is a right-side view thereof.

1 Claim, 3 Drawing Sheets

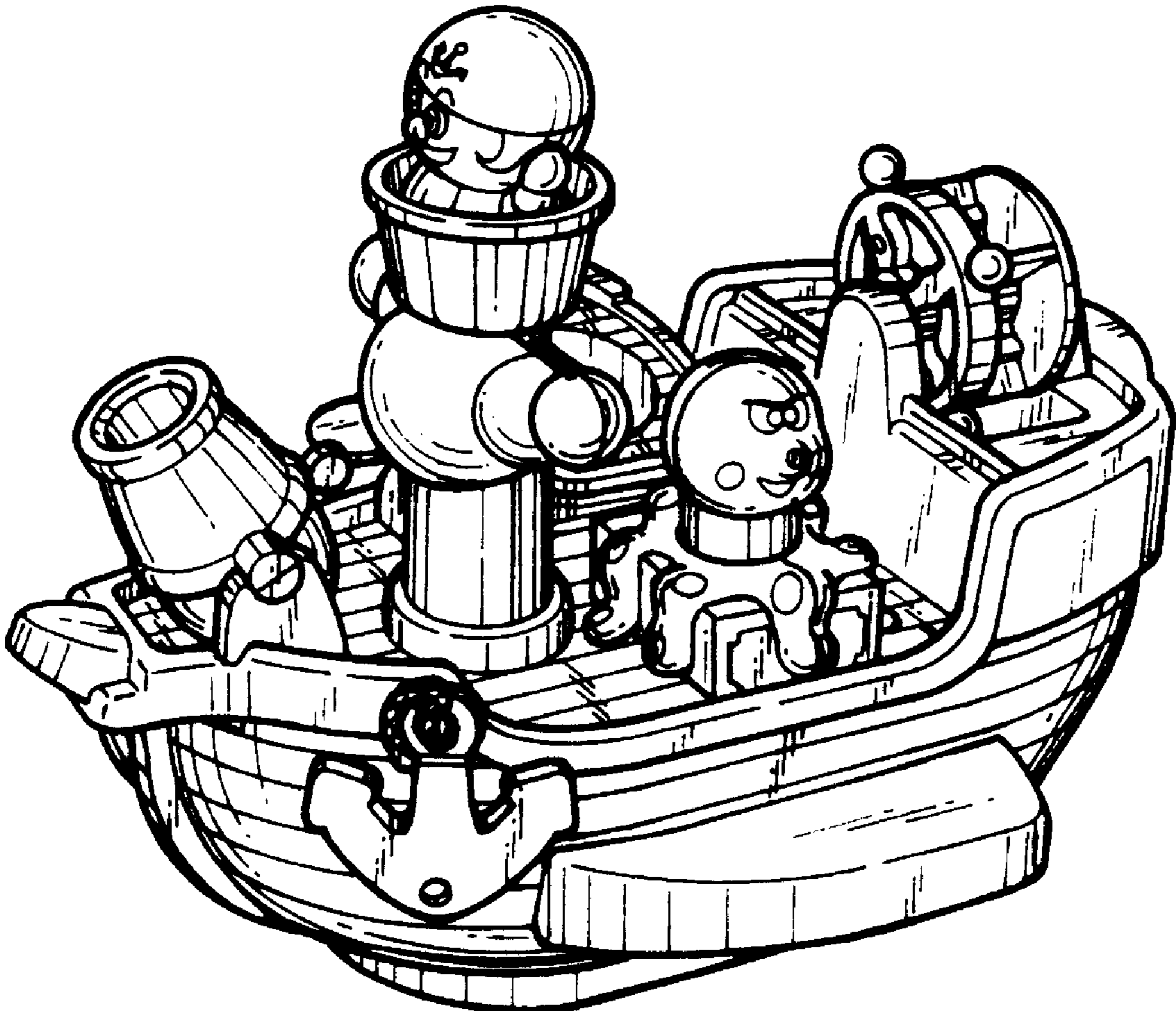


FIG. 1

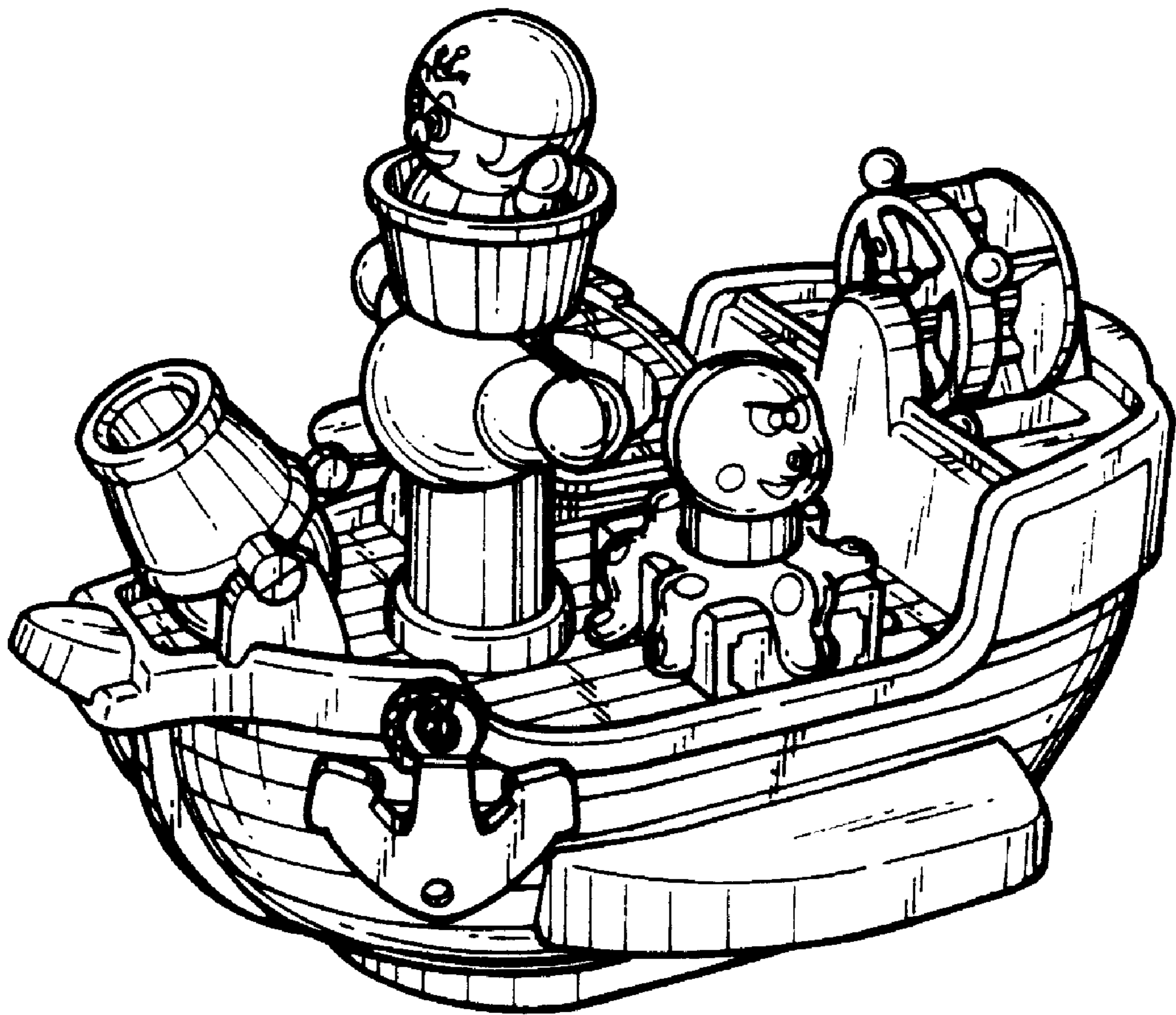


FIG. 2

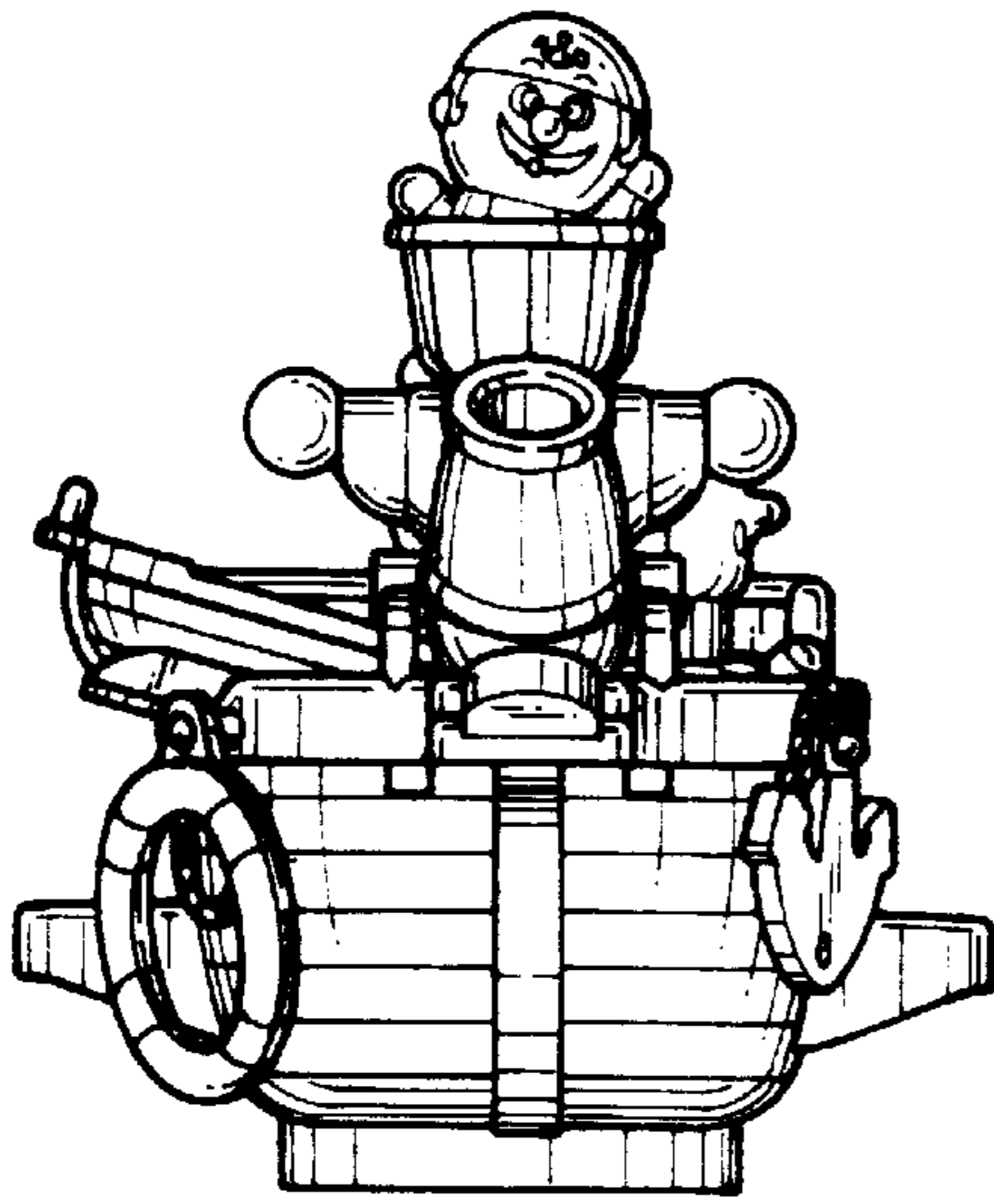


FIG. 3

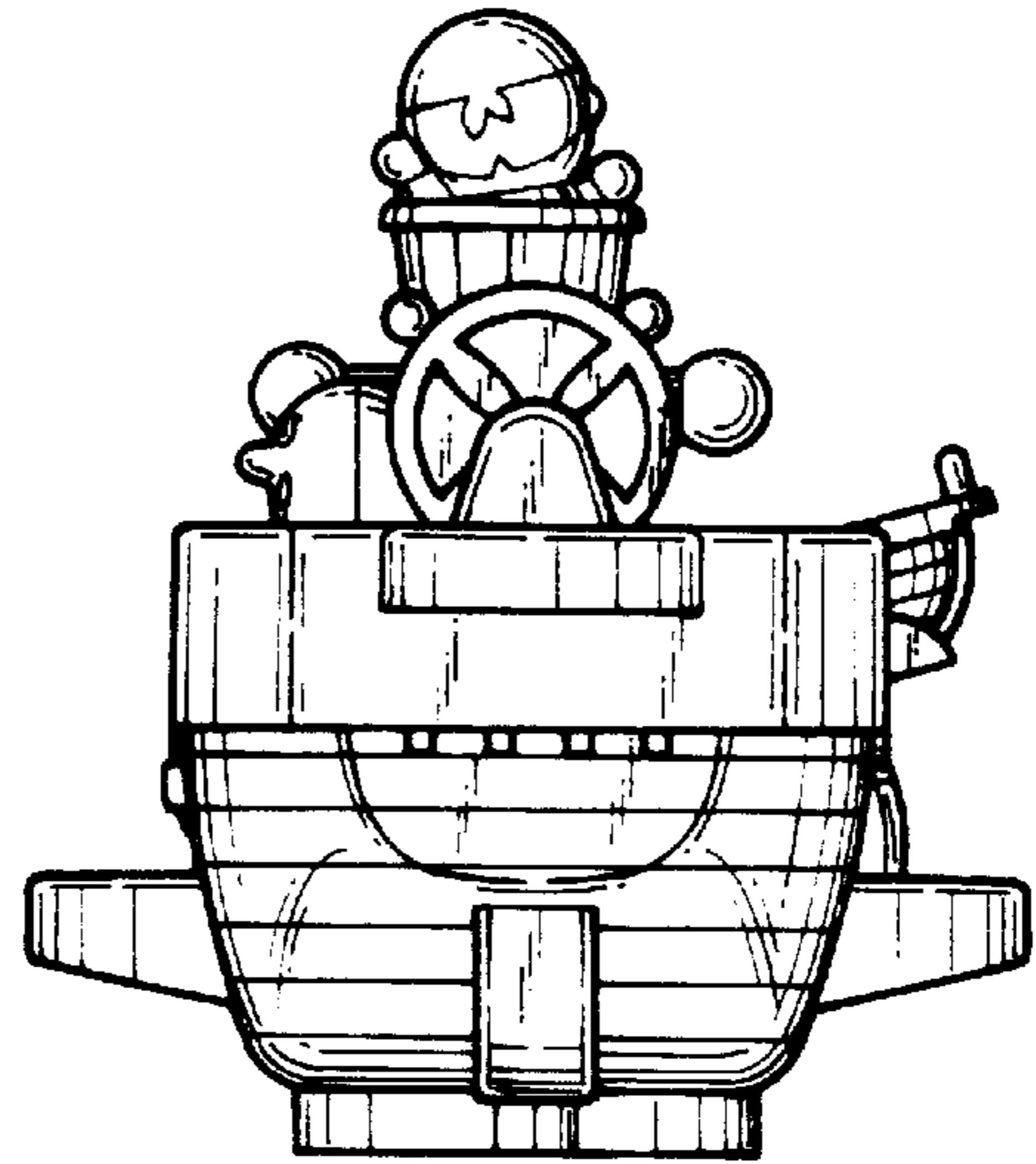


FIG. 4

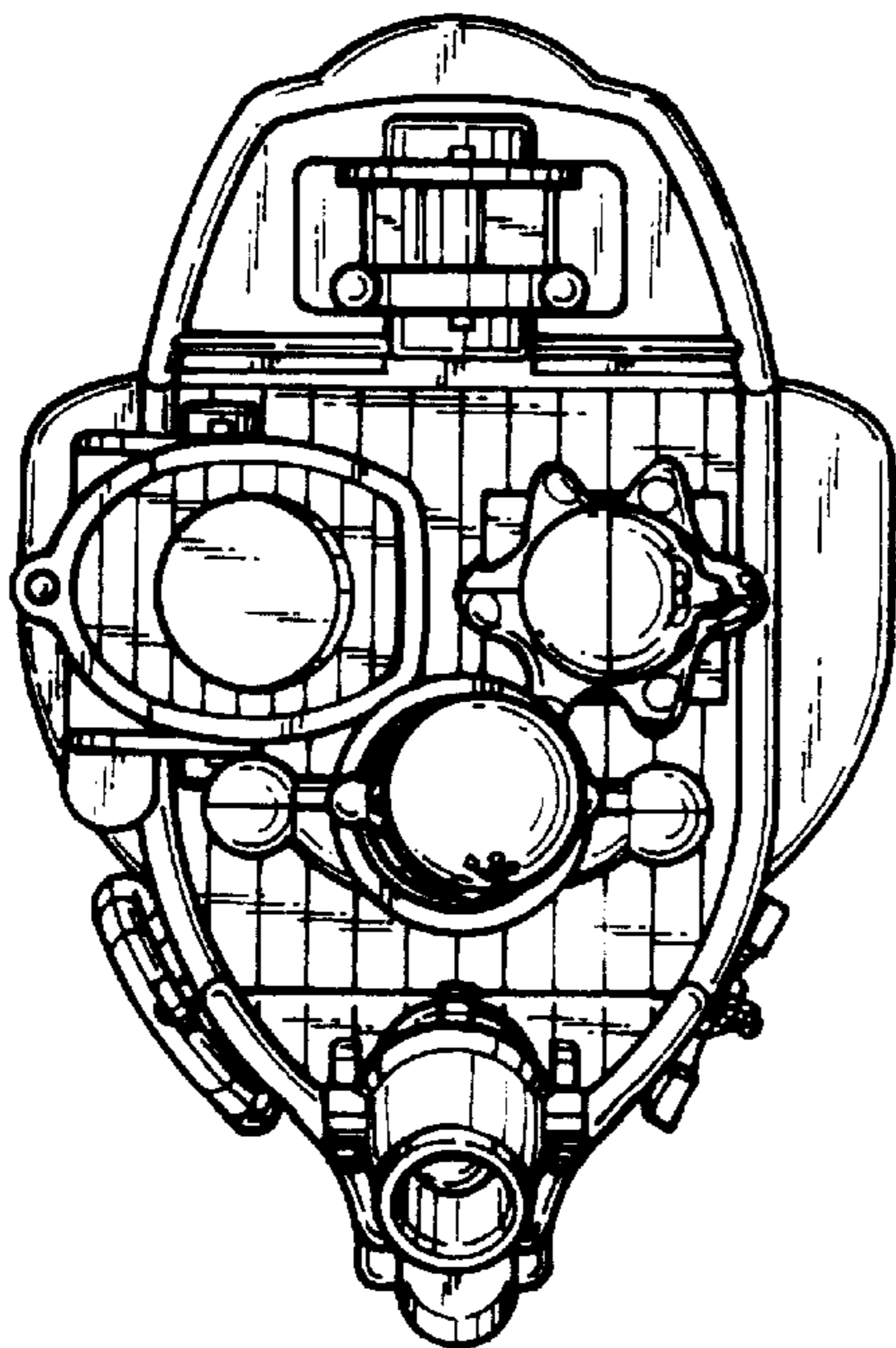


FIG. 5

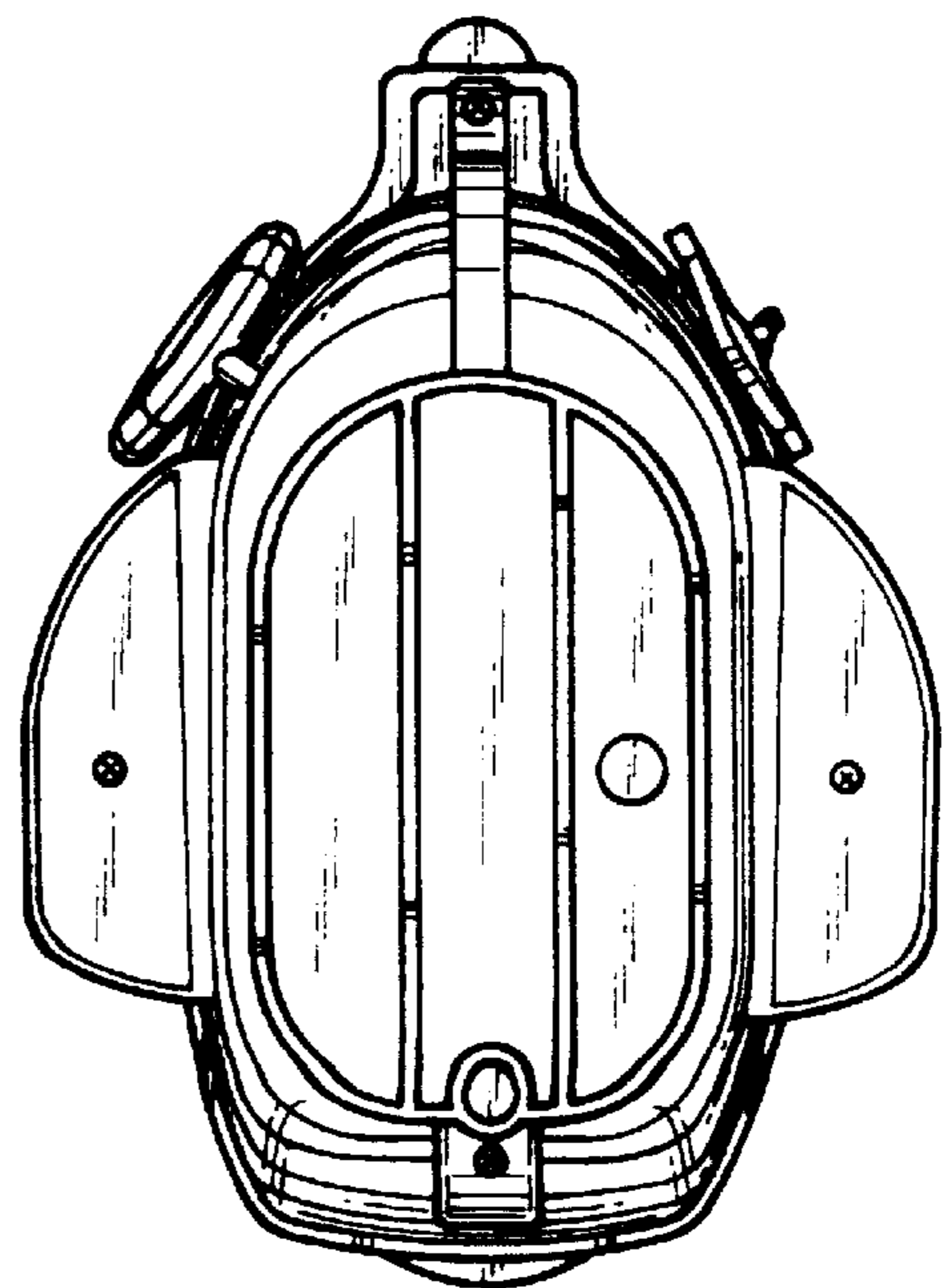


FIG. 6

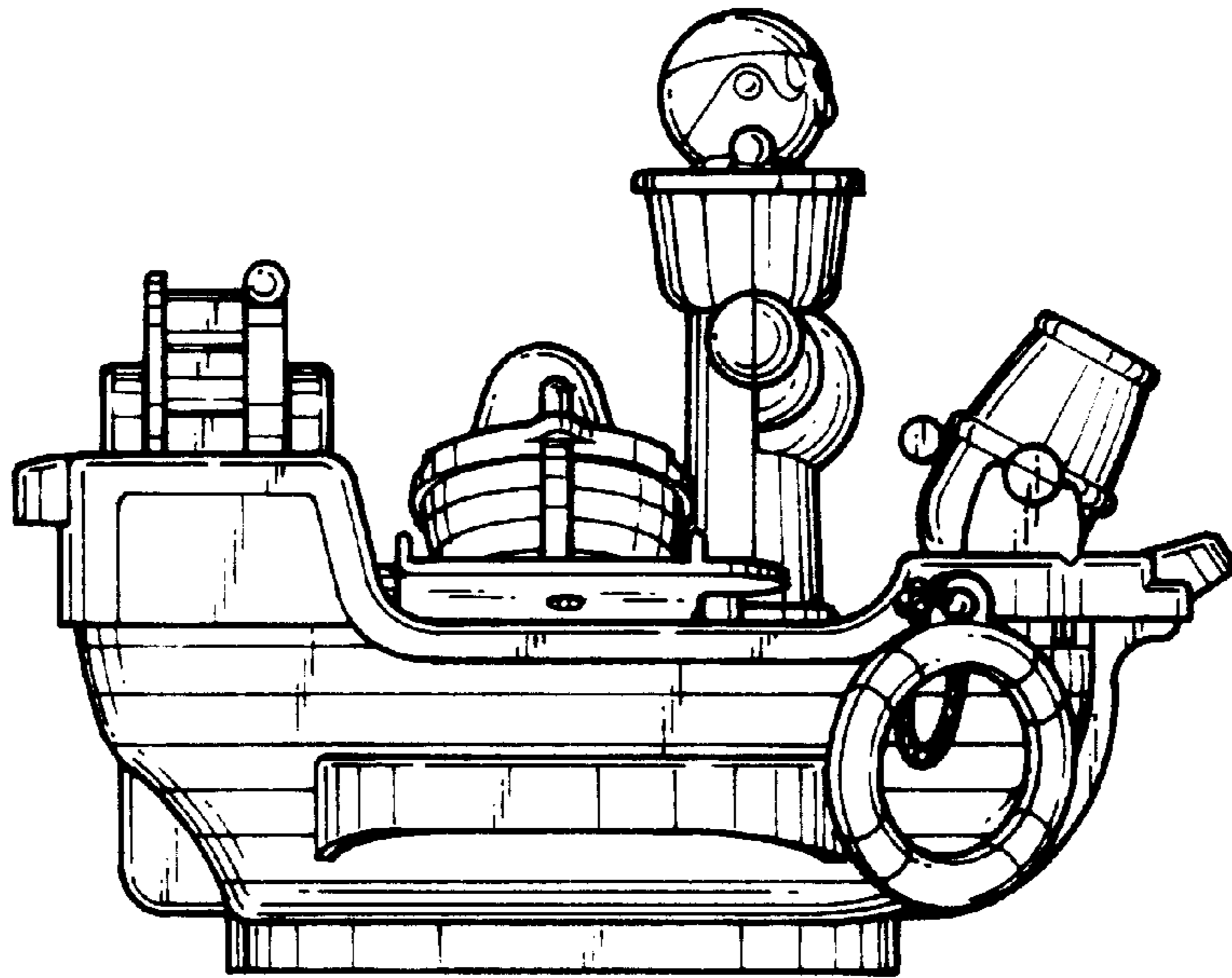


FIG. 7

