



US00D451154B1

(12) **United States Design Patent**
Navarro

(10) **Patent No.:** **US D451,154 S**

(45) **Date of Patent:** **** Nov. 27, 2001**

(54) **SCOOTER DECK**

(76) **Inventor:** **Richard R. Navarro**, 10350 Forestview Dr., Strongsville, OH (US) 44136

(**) **Term:** **14 Years**

(21) **Appl. No.:** **29/136,533**

(22) **Filed:** **Jan. 31, 2001**

(51) **LOC (7) Cl.** **21-01**

(52) **U.S. Cl.** **D21/423**

(58) **Field of Search** D21/419, 421, D21/423, 424, 426, 435, 533, 760, 765, 771; D12/107, 110-112; 280/87.01, 87.021, 87.041, 87.042; 180/181, 216

(56) **References Cited**

U.S. PATENT DOCUMENTS

- D. 104,679 * 5/1937 Eck D21/423
- D. 109,820 * 5/1938 Snell D21/423
- D. 326,290 * 5/1992 Badsey D21/423

- D. 403,990 * 1/1999 Brady D12/110
- D. 421,632 * 3/2000 Jones et al. D21/423

* cited by examiner

Primary Examiner—Raphael Barkai

(74) *Attorney, Agent, or Firm*—Pearne & Gordon LLP

(57) **CLAIM**

The ornamental design for a scooter deck, as shown and described.

DESCRIPTION

FIG. 1 shows a perspective view of a scooter deck showing my new design, the broken lines are for illustrative purposes only and form no part of the claimed design.

FIG. 2 shows a side elevation view of the scooter deck;

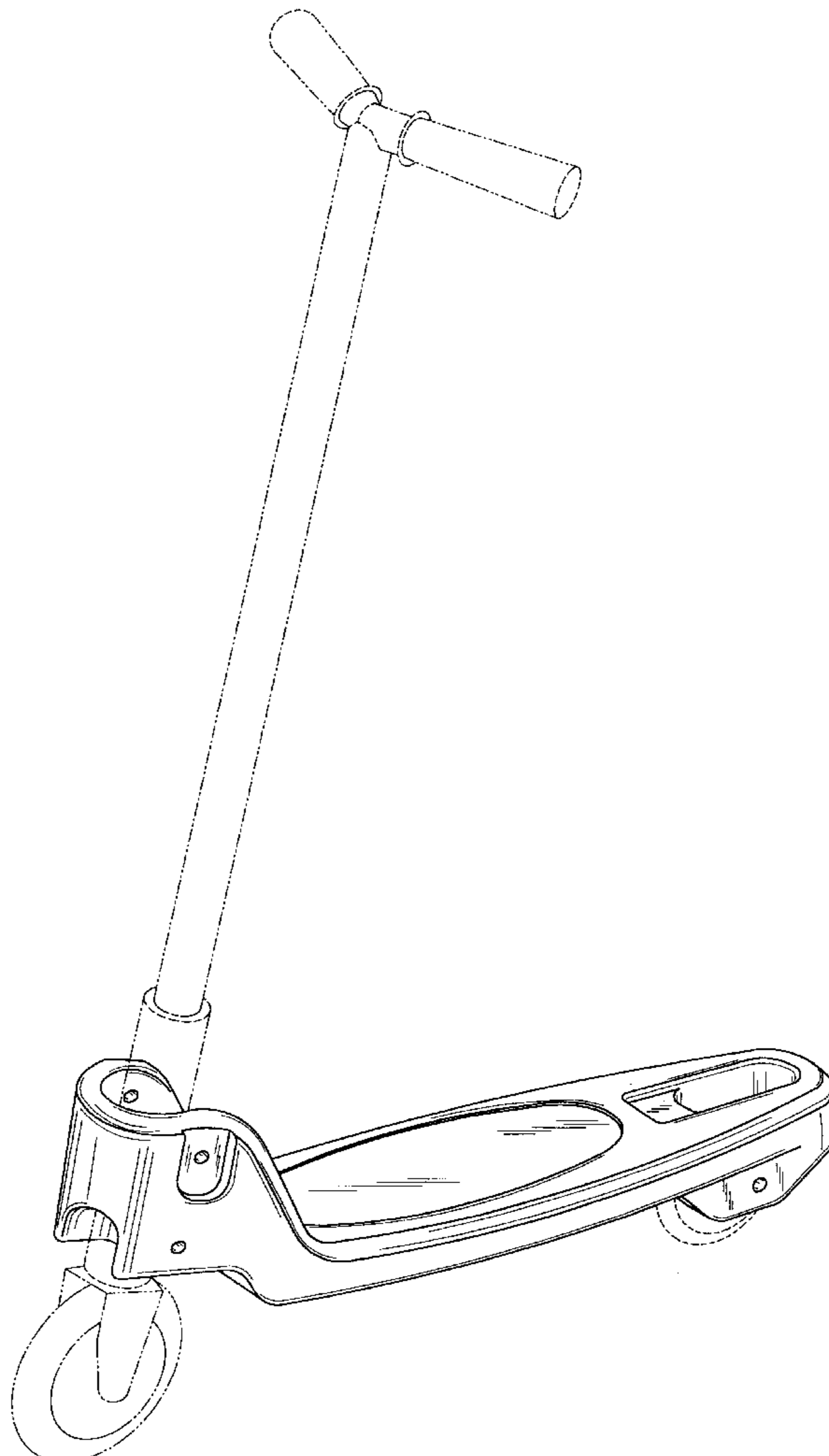
FIG. 3 shows a back elevation view of the scooter deck;

FIG. 4 shows a top plan view of the scooter deck;

FIG. 5 shows a front elevation view of the scooter deck; and,

FIG. 6 shows a bottom plan view of the scooter deck.

1 Claim, 2 Drawing Sheets



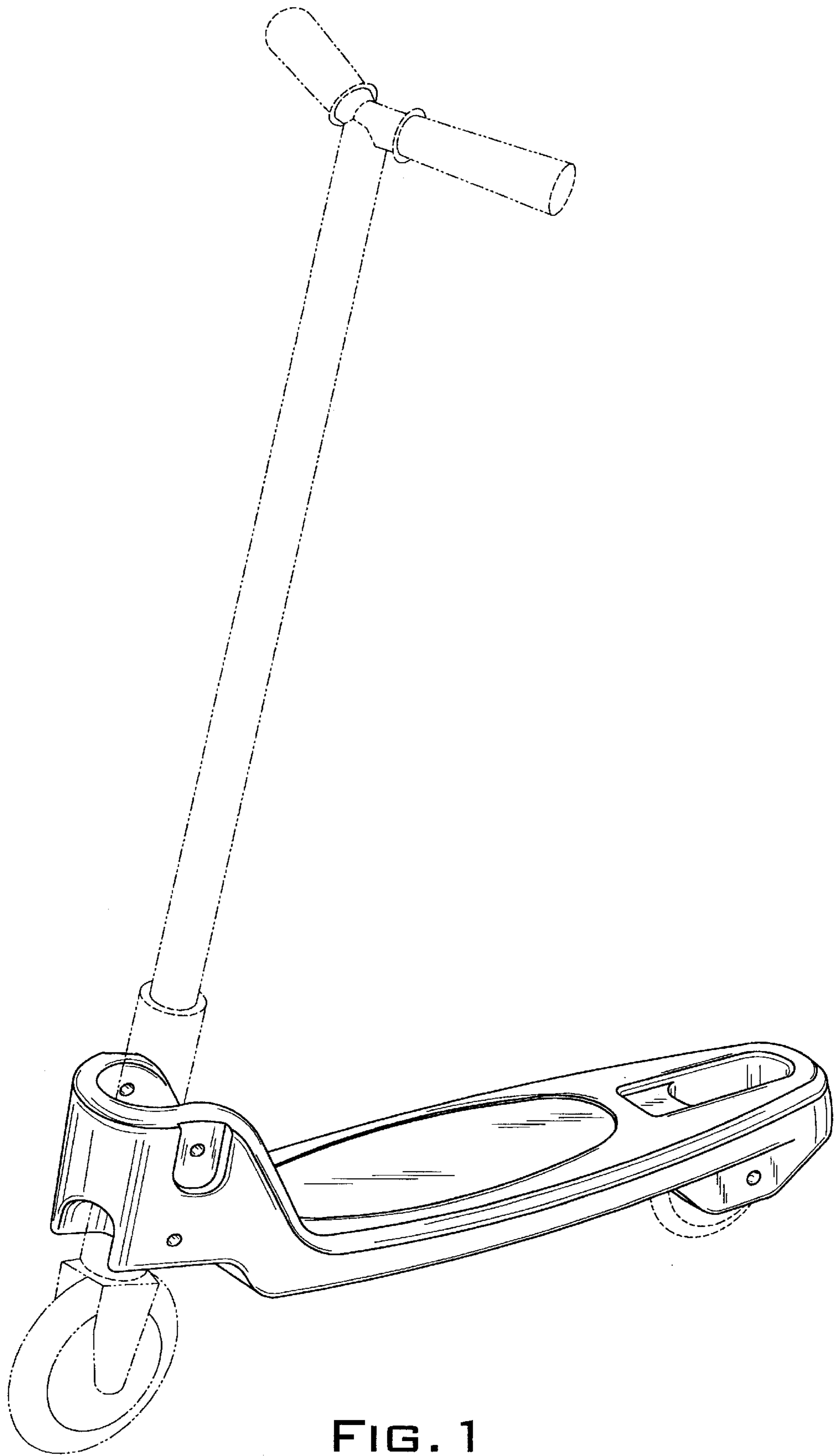


FIG. 1

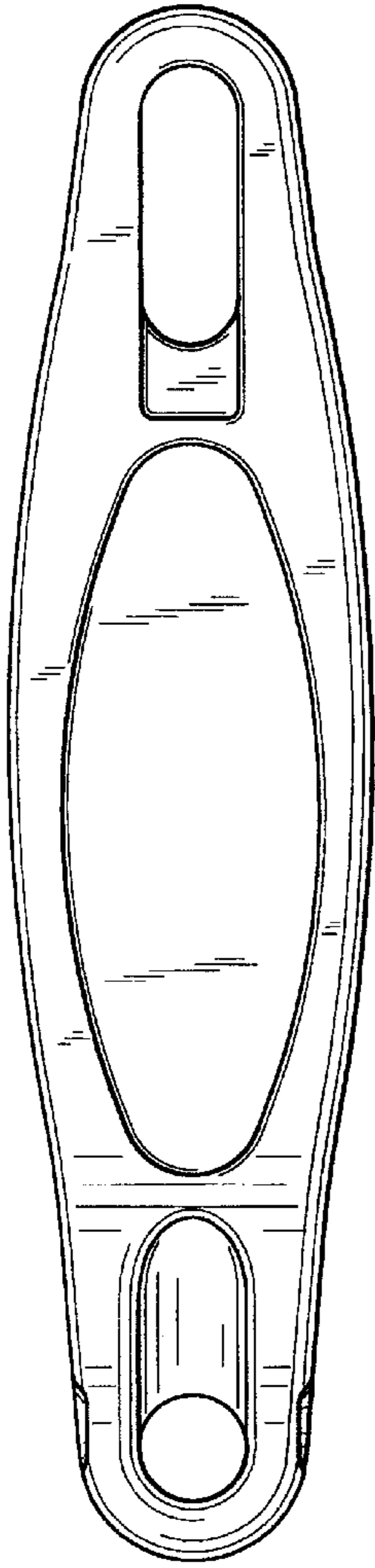


FIG. 4

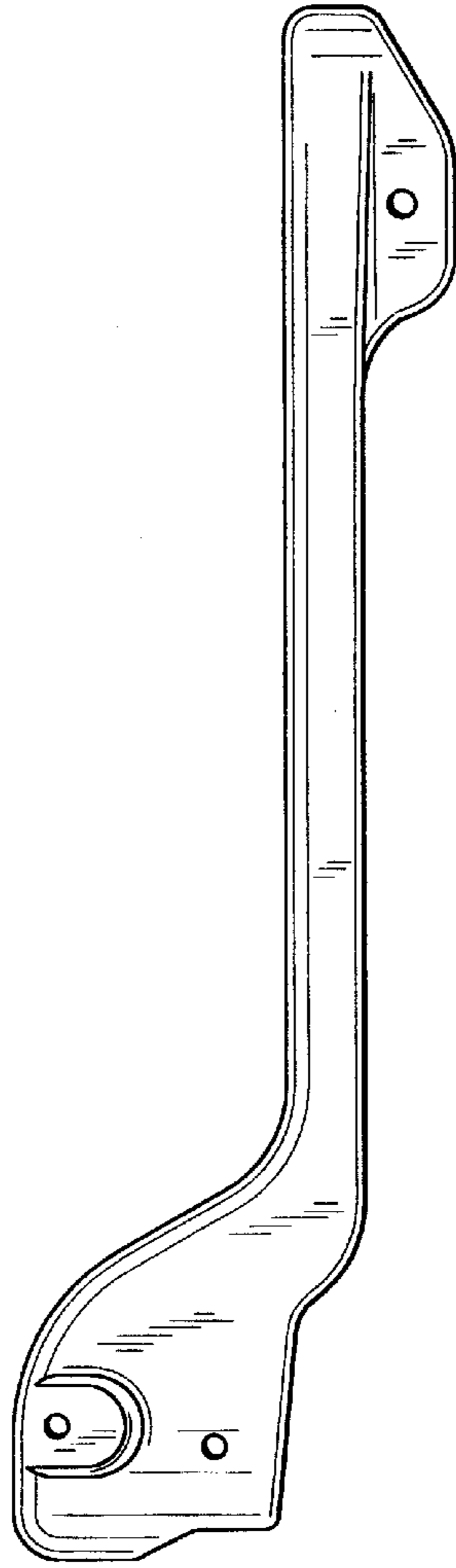


FIG. 2

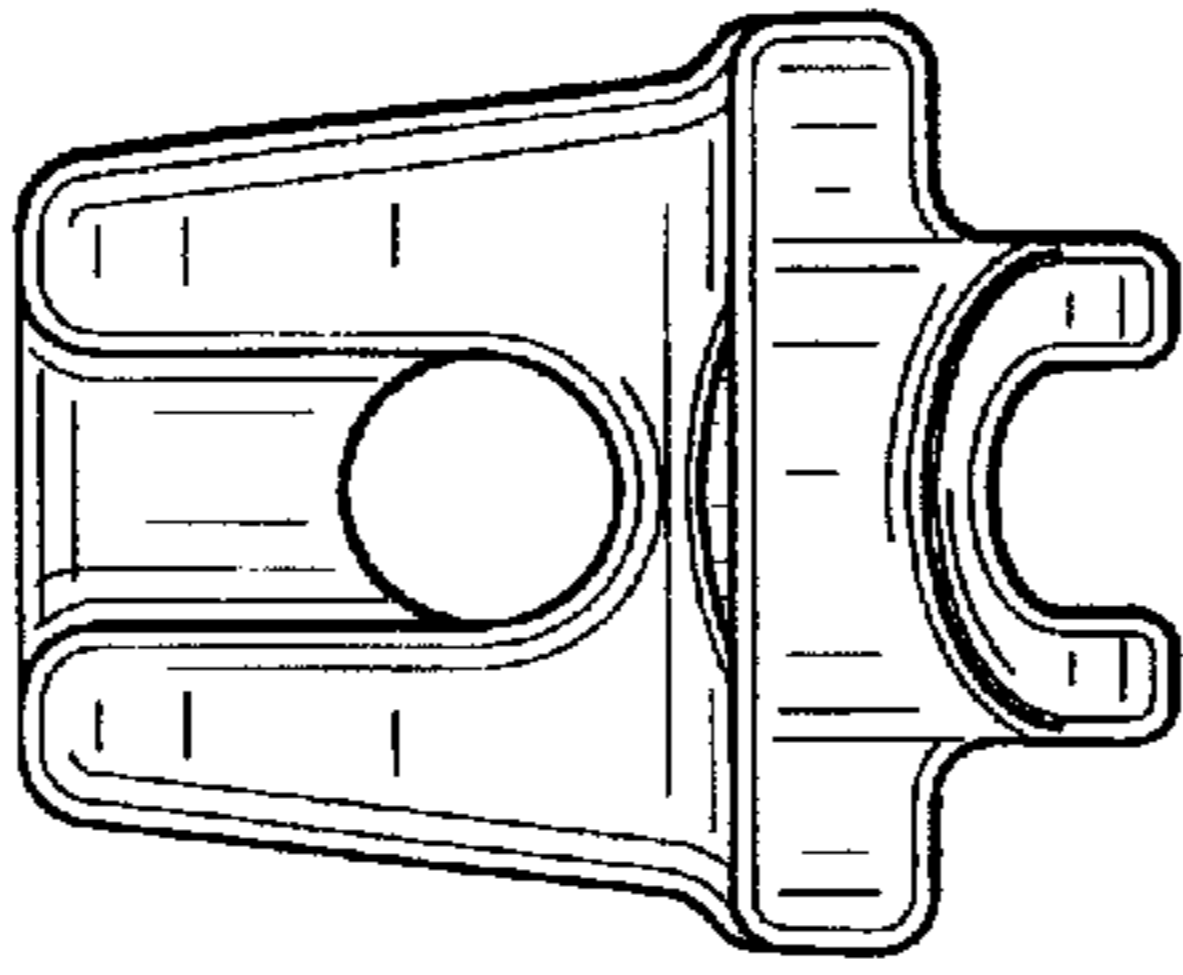


FIG. 3

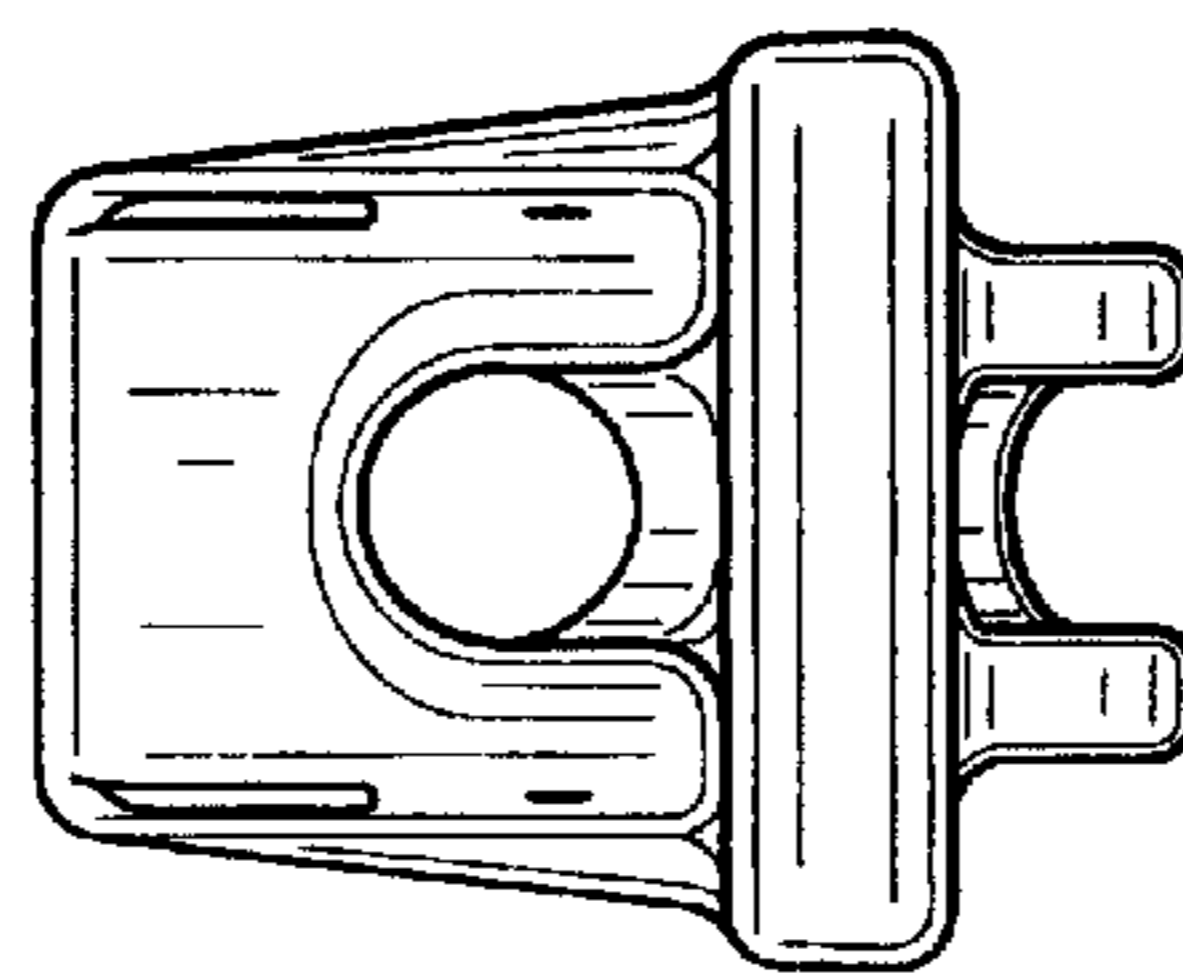


FIG. 5

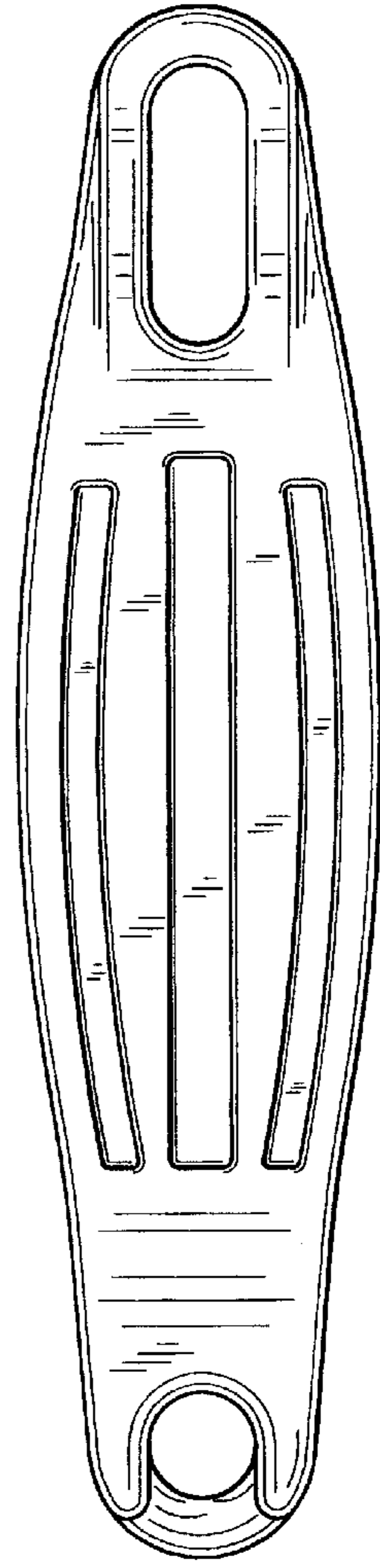


FIG. 6