



US00D451153B2

(12) **United States Design Patent** (10) **Patent No.:** **US D451,153 S**
Hedrick et al. (45) **Date of Patent:** **** Nov. 27, 2001**

(54) **PLAYER INTERFACE WITH BOLSTER FOR A GAMING DEVICE**

Primary Examiner—Prabhakar Deshmukh
(74) *Attorney, Agent, or Firm*—Bell, Boyd & Lloyd LLC

(75) Inventors: **Joseph R. Hedrick; Jean P. Legras; Kehl T. LeSourd**, all of Reno; **Eric L. Wagner**, Sparks, all of NV (US)

(57) **CLAIM**

The ornamental design for a player interface with bolster for a gaming device, as shown and described.

(73) Assignee: **IGT**, Reno, NV (US)

(**) Term: **14 Years**

DESCRIPTION

(21) Appl. No.: **29/130,980**

(22) Filed: **Oct. 12, 2000**

(51) **LOC (7) Cl.** **21-01**

(52) **U.S. Cl.** **D21/385; D21/369; D21/325; D21/333**

(58) **Field of Search** **D21/369, 370, D21/371, 324-329, 333, 385, 386; 273/148 B, 148 R, 138.1, 138.2, 278, 288, 143 R, 141 A, 142 B, 139, 459-461, 269; 463/16-22, 13, 29-35**

This application is related to the following commonly-owned co-pending design and utility patent applications: "Display and Mask for a Gaming Device," Ser. No. 29/130,997; "Display and Mask for a Gaming Device," Ser. No. 29/131,001; "Display and Mask for a Gaming Device," Ser. No. 29/131,076; "Player Interface and Tray for a Gaming Device," Ser. No. 29/130,983; "Tray for A Gaming Device," Ser. No. 29/130,981; "Plate for a Midsection of a Gaming Device," Ser. No. 29/130,992; "Top Unit and Base for a Gaming Device," Ser. No. 29/130,979; "Base for a Top Unit of a Gaming Device," Ser. No. 29/130,982; "Gaming Device," Ser. No. 29/130,996; and "Gaming Device Having a Door with a Moveable or Removeable Bolster," Ser. No. 60/239,376.

(56) **References Cited**

U.S. PATENT DOCUMENTS

| | | | | | |
|------------|---|--------|----------------|-------|---------|
| D. 236,720 | * | 9/1975 | Baker | | D21/370 |
| D. 274,536 | * | 7/1984 | Rodesch | | D21/325 |
| D. 284,592 | | 7/1986 | Drews et al. | . | |
| D. 301,494 | * | 6/1989 | Gutknecht | | D21/385 |
| D. 333,164 | * | 2/1993 | Kraft et al. | | D21/325 |
| D. 383,802 | * | 9/1997 | Levy | | D21/385 |
| D. 397,732 | * | 9/1998 | Serowik et al. | | D21/369 |

(List continued on next page.)

FOREIGN PATENT DOCUMENTS

| | | | | | |
|-------------|---|---------|------|-------|-----------|
| M9409371 | * | 3/1995 | (DE) | . | |
| 0426301 | * | 5/1991 | (EP) | | 273/143 R |
| 000443738 | * | 8/1991 | (EP) | | 273/143 R |
| 406304296 A | * | 11/1994 | (JP) | | 273/148 R |

OTHER PUBLICATIONS

L.A.Slot Machine Co. Inc., Bally Gaming, Sigma Model B-9, Sep. 1997.*

(List continued on next page.)

FIG. 1 is a front perspective view of a gaming device showing a player interface with bolster of our new design, that portion of the gaming device shown in phantom is not part of the design sought to be patented and is provided for environmental purposes only;

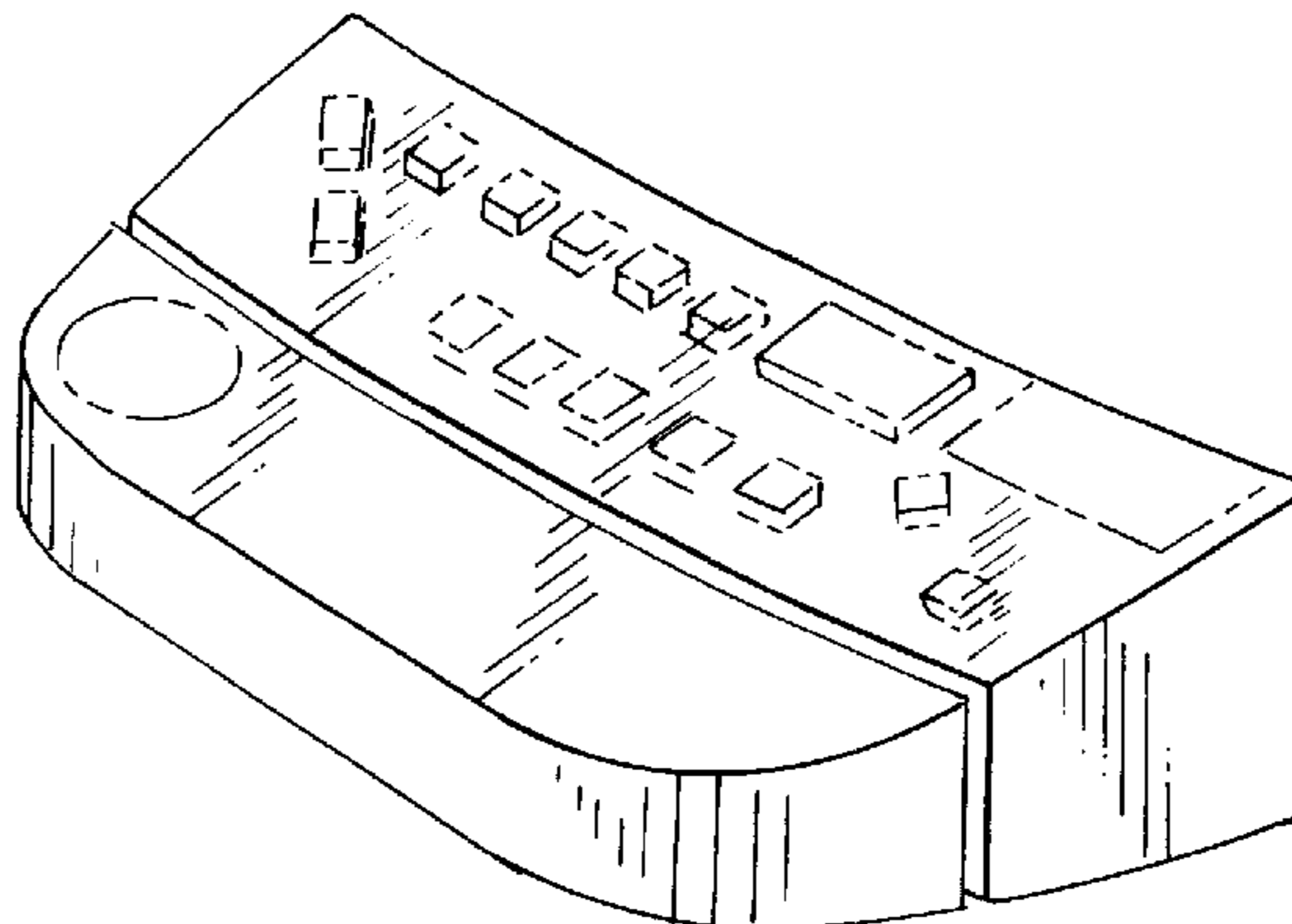
FIG. 2 is an enlarged front perspective view of the player interface with bolster;

FIG. 3 is a right side elevation view of the player interface with bolster, the left side being a mirror image thereof;

FIG. 4 is a front elevation view thereof, showing the front of the player interface with bolster; and,

FIG. 5 is a top plan view of the player interface with bolster of our design.

1 Claim, 1 Drawing Sheet



US D451,153 S

Page 2

U.S. PATENT DOCUMENTS

D. 400,597 11/1998 Hedrick et al. .
D. 403,363 12/1998 McGahn et al. .
D. 404,084 1/1999 Hedrick et al. .
D. 404,436 1/1999 McGahn et al. .
D. 406,615 3/1999 Griswold et al. .
D. 412,347 7/1999 DeSimone et al. .
D. 416,054 11/1999 McGahn et al. .
D. 417,145 * 11/1999 McLaughlin D21/325
D. 421,277 2/2000 McGahn et al. .
D. 439,931 * 4/2001 Yamaguchi D21/369
3,259,389 * 7/1966 Blondell 463/17
4,695,053 9/1987 Vazquez, Jr. et al. .
4,991,848 2/1991 Greenwood et al. .
5,611,535 3/1997 Tiberio .
5,813,914 * 9/1998 McKay et al. 463/20
5,820,460 * 10/1998 Fulton D21/369
5,984,781 11/1999 Sunaga .
6,012,982 1/2000 Piechowiak et al. .
6,047,966 * 4/2000 Hishinuma et al. 273/148 R
6,056,642 5/2000 Bennett .

6,102,394 * 8/2000 Wurz et al. 273/138.2
6,102,798 8/2000 Bennett .
6,161,805 12/2000 Wells .
6,168,522 1/2001 Walker et al. .

OTHER PUBLICATIONS

L.S.Slot Machine Co. Inc., Bally Gaming, Royal Diamond and Jungle Treasure, Sep. 1997.*
Slot Machines published by Reno-Tahoe Specialty, Inc. in 1989.
Elvis Brochure published by IGT in 1999.
Totem Pole Brochure published by IGT in 1997.
Slotopoly Brochure published by IGT in 1998.
Wheel of Fortune Brochure published by IGT in 1999.
Mega Jackpots Brochure published by IGT in 1998.
Top Dollar Brochure published by IGT in 1998.
Keno Machine Picture published by IGT., no known date.
Morph Game Pictures published by IGT on Sep. 12, 1999.

* cited by examiner

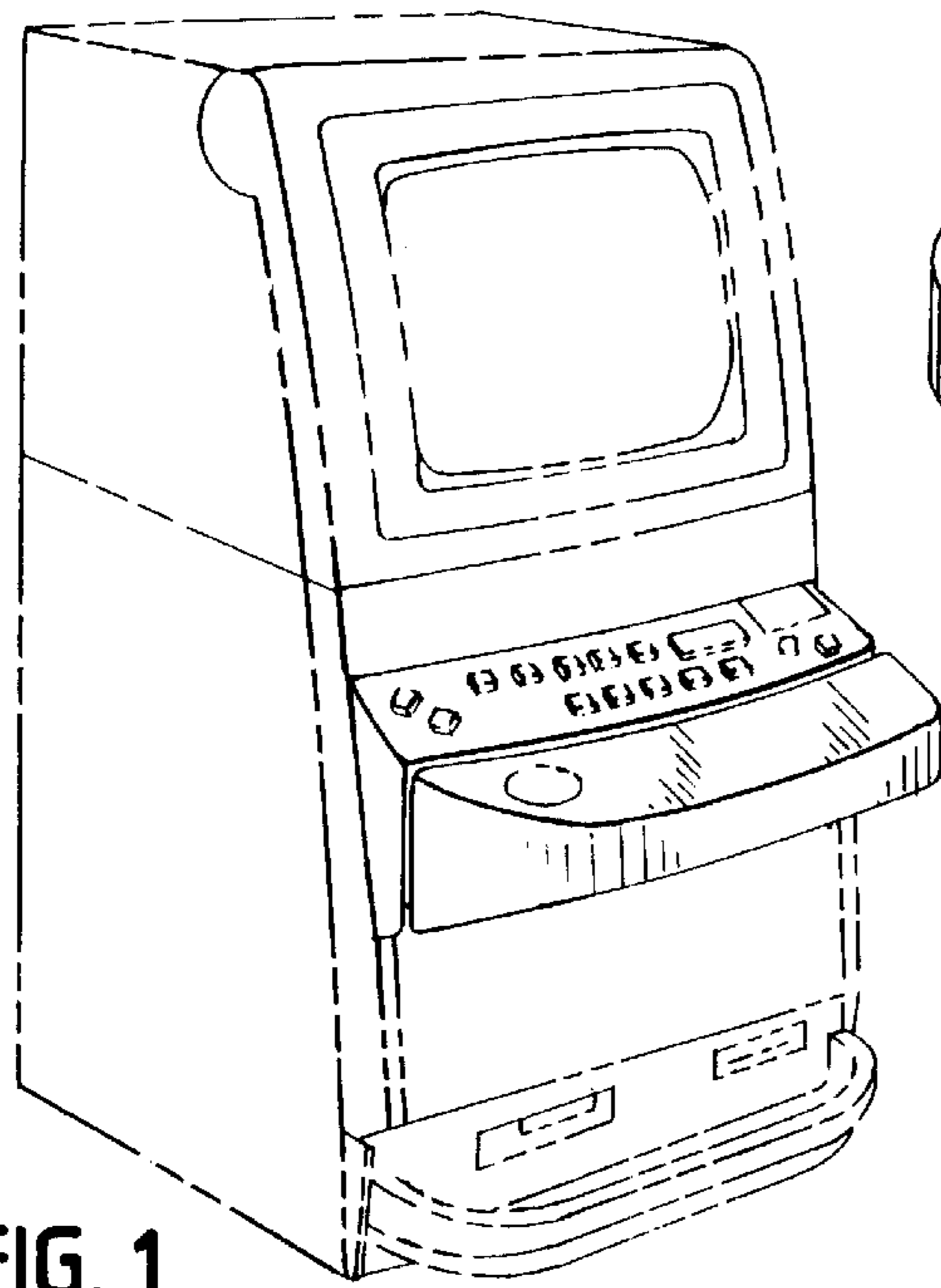


FIG. 1

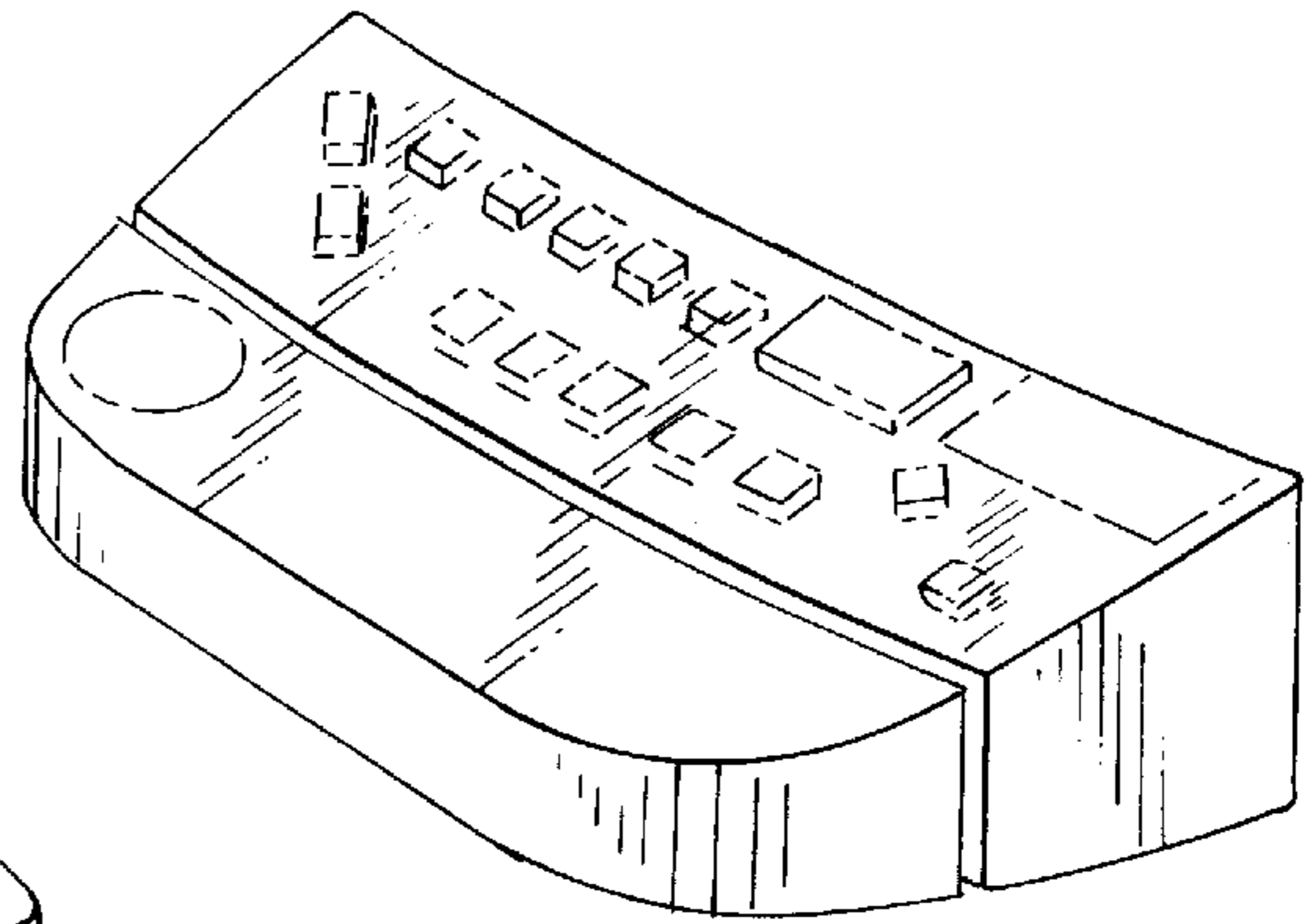


FIG. 2

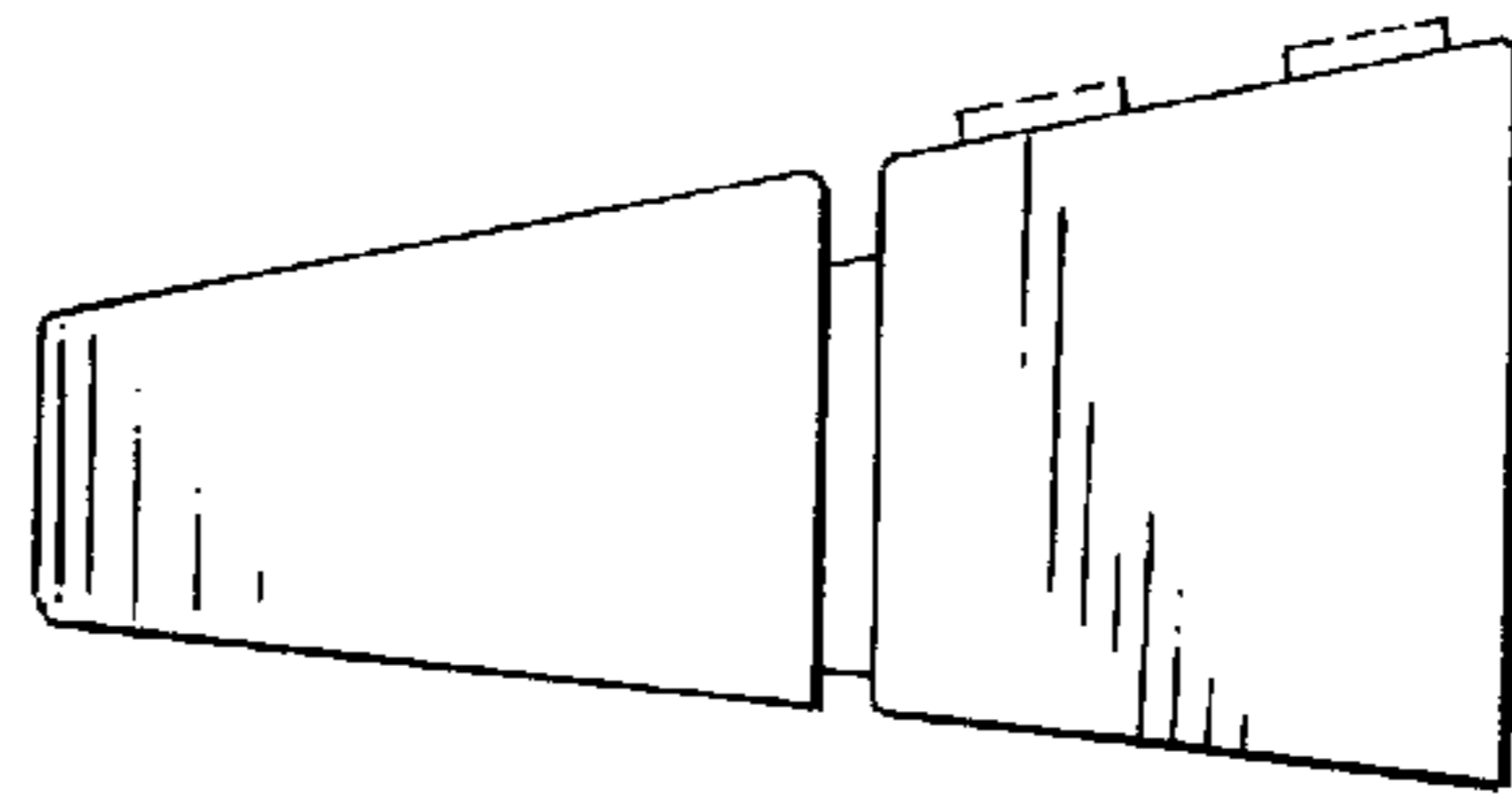


FIG. 3

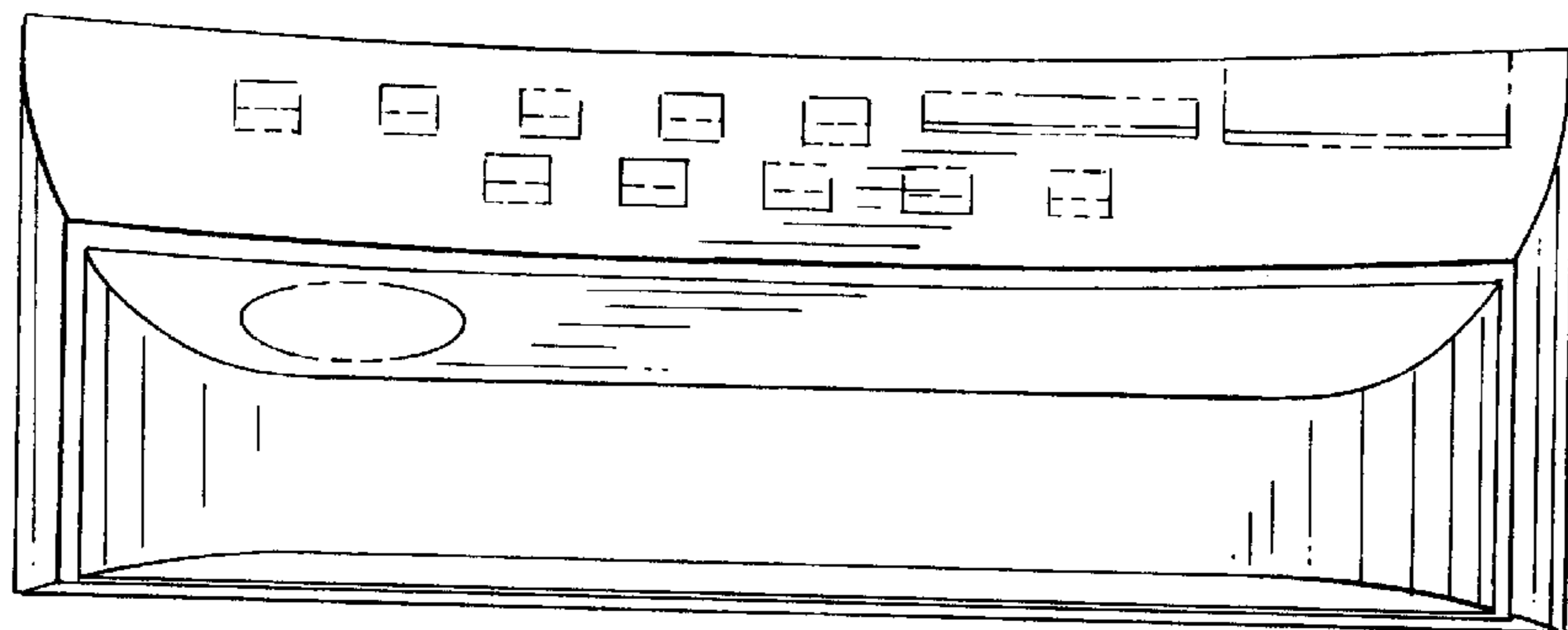


FIG. 4

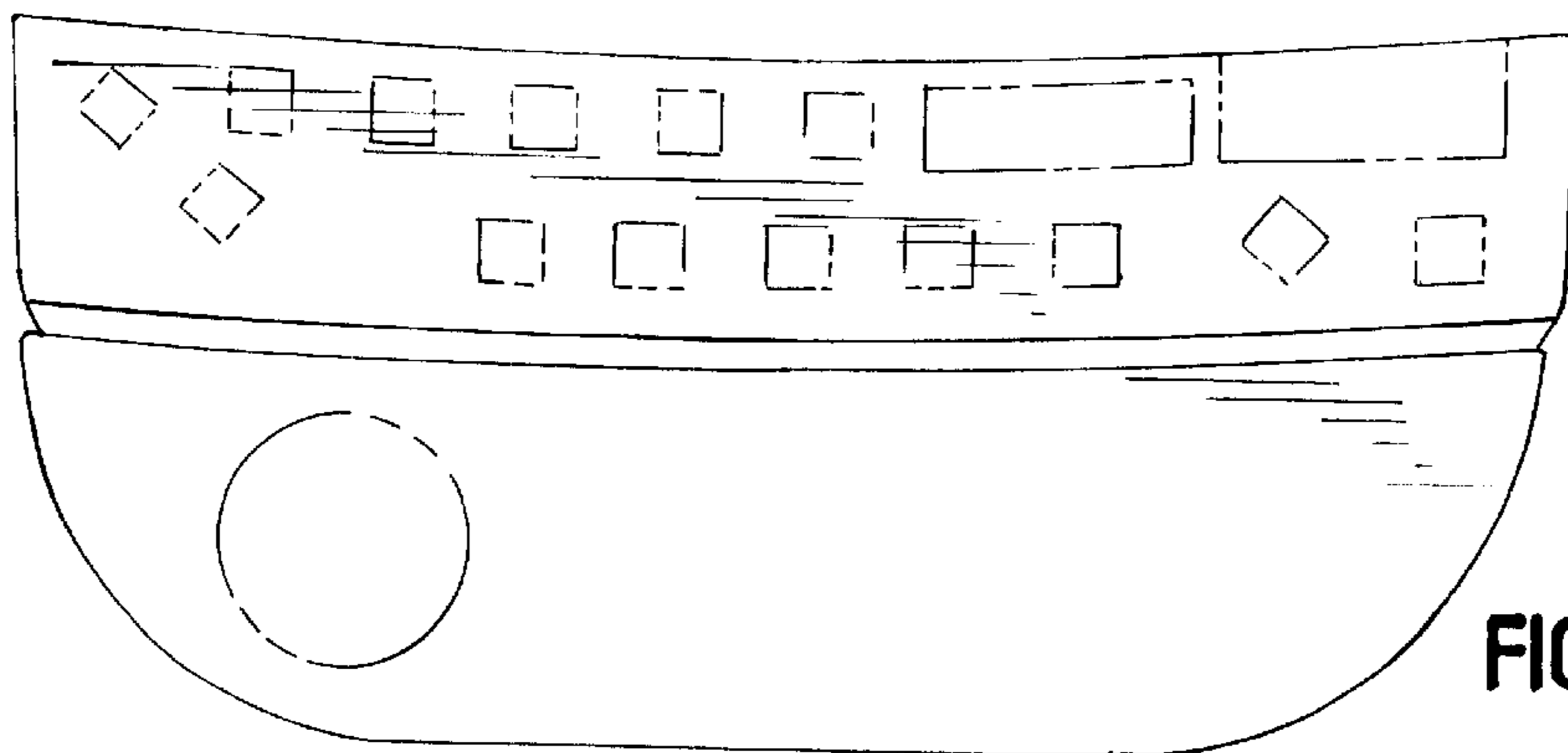


FIG. 5