



US00D451152B1

(12) **United States Design Patent**
Hedrick et al.

(10) **Patent No.:** **US D451,152 S**
(45) **Date of Patent:** **** Nov. 27, 2001**

(54) **GAMING MACHINE**

OTHER PUBLICATIONS

- (75) Inventors: **Joseph R. Hedrick; Jean Pierre Legras**, both of Reno, NV (US)
- (73) Assignee: **International Game Technology**, Reno, NV (US)
- (**) Term: **14 Years**
- (21) Appl. No.: **29/130,661**
- (22) Filed: **Oct. 5, 2000**
- (51) **LOC (7) Cl.** **21-03**
- (52) **U.S. Cl.** **D21/370; D21/327**
- (58) **Field of Search** **D21/329, 369-373; 463/17, 20, 46, 47**

“Casino Seating” brochure; Gary Platt Manufacturing Inc., dated Apr. 1998, 8 pages.

* cited by examiner

Primary Examiner—Sanda L. Morris

(74) *Attorney, Agent, or Firm*—Marshall, Gerstein, & Borun

(57) **CLAIM**

The ornamental design for a gaming machine, as shown and described.

DESCRIPTION

FIG. 1 is a front perspective view of a gaming machine in accordance with the present invention.

FIG. 2 is a right-side elevational view of the gaming machine illustrated in FIG. 1.

FIG. 3 is a left-side elevational view of the gaming machine illustrated in FIG. 1.

FIG. 4 is a top view of gaming machine illustrated in FIG. 1.

FIG. 5 is a bottom view of the gaming machine illustrated in FIG. 1.

FIG. 6 is a front elevational view of the gaming machine illustrated in FIG. 1; and,

FIG. 7 is a rear elevational view of the gaming machine illustrated in FIG. 1.

FIGS. 2-7 are shown on a reduced scale.

The broken line showing is for illustrative purposes only, and forms no part of the claimed design.

(56) **References Cited**

U.S. PATENT DOCUMENTS

D. 380,014	*	6/1997	Yang	D21/370
D. 381,698	*	7/1997	Brettschneider	D21/370
D. 395,463	*	6/1998	Scott et al.	D21/371
D. 400,597		11/1998	Hedrick et al.	D21/38
D. 403,363		12/1998	McGahn et al.	D21/37
D. 421,277		2/2000	McGahn et al.	D21/369
D. 439,931	*	4/2001	Yamaguchi	D21/369
5,232,191		8/1993	Infanti	248/500
5,542,748		8/1996	Barile	297/463.1
5,676,231		10/1997	Legras et al.	194/206
5,762,617		6/1998	Infanti	601/49
5,826,882		10/1998	Ward	273/309
5,951,397		9/1999	Dickinson	463/36
6,050,895		4/2000	Luciano, Jr. et al.	463/7
6,117,010	*	9/2000	Canterbury et al.	463/20

1 Claim, 4 Drawing Sheets

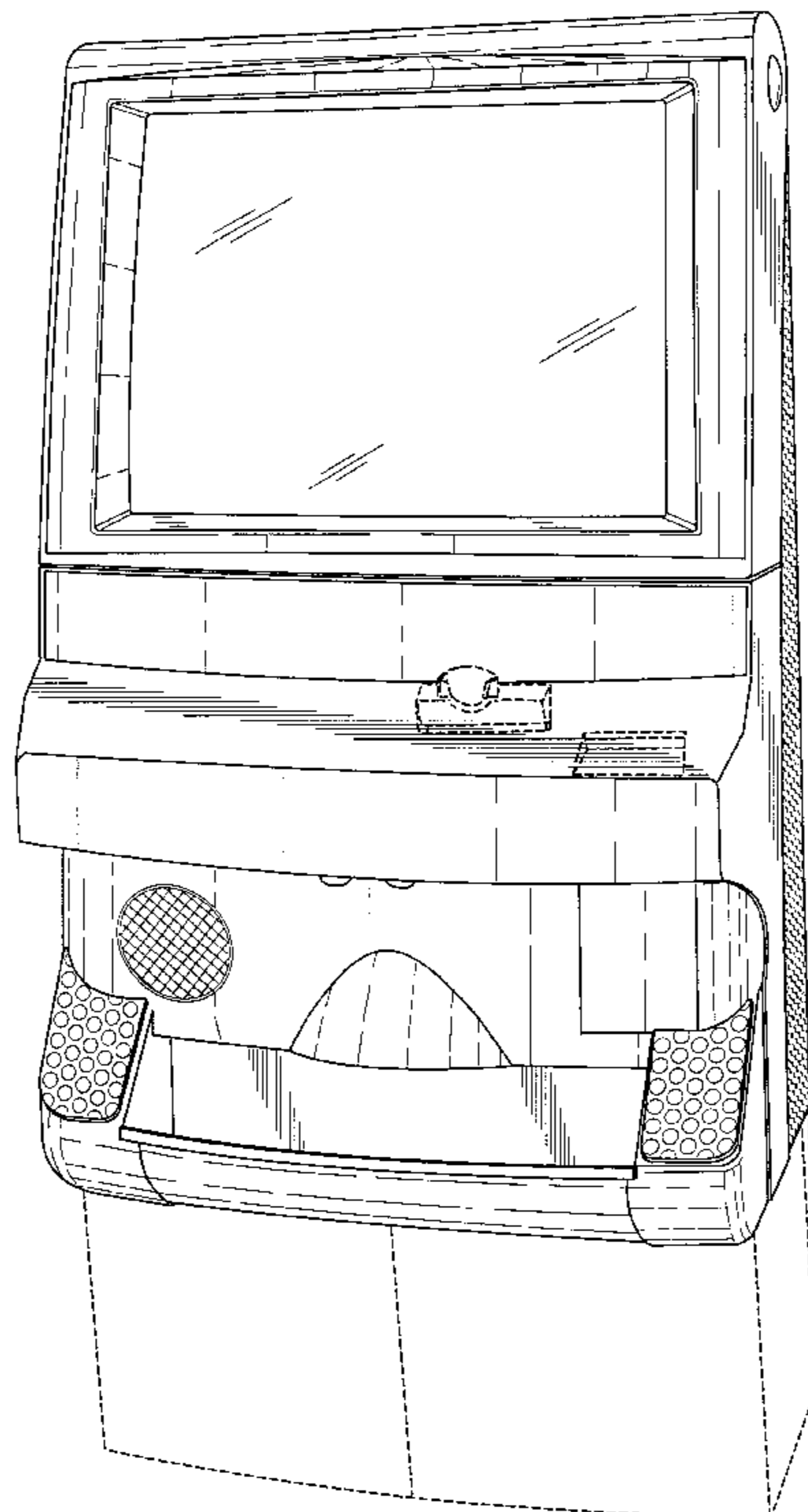


Fig. 1

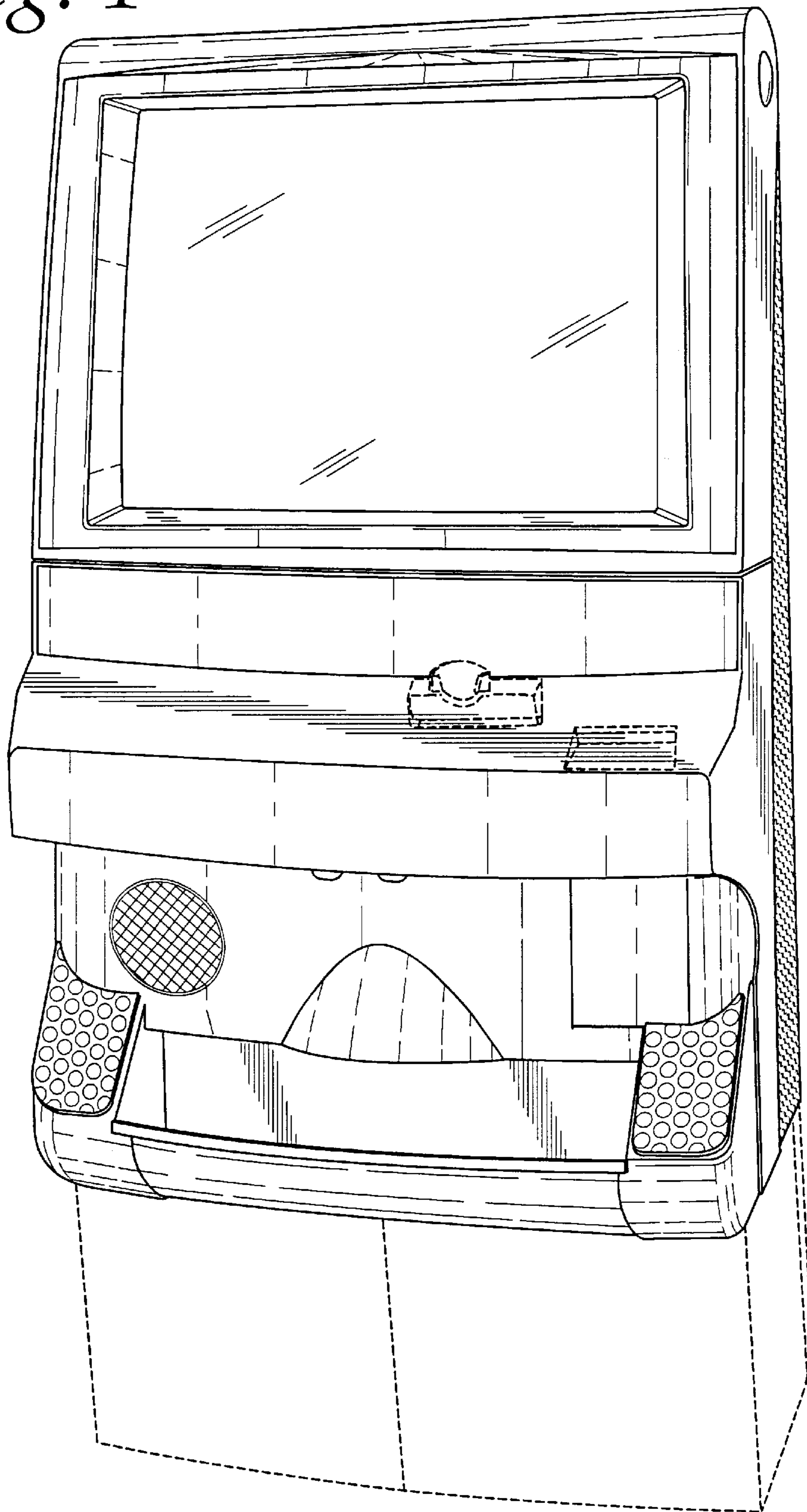


Fig. 2

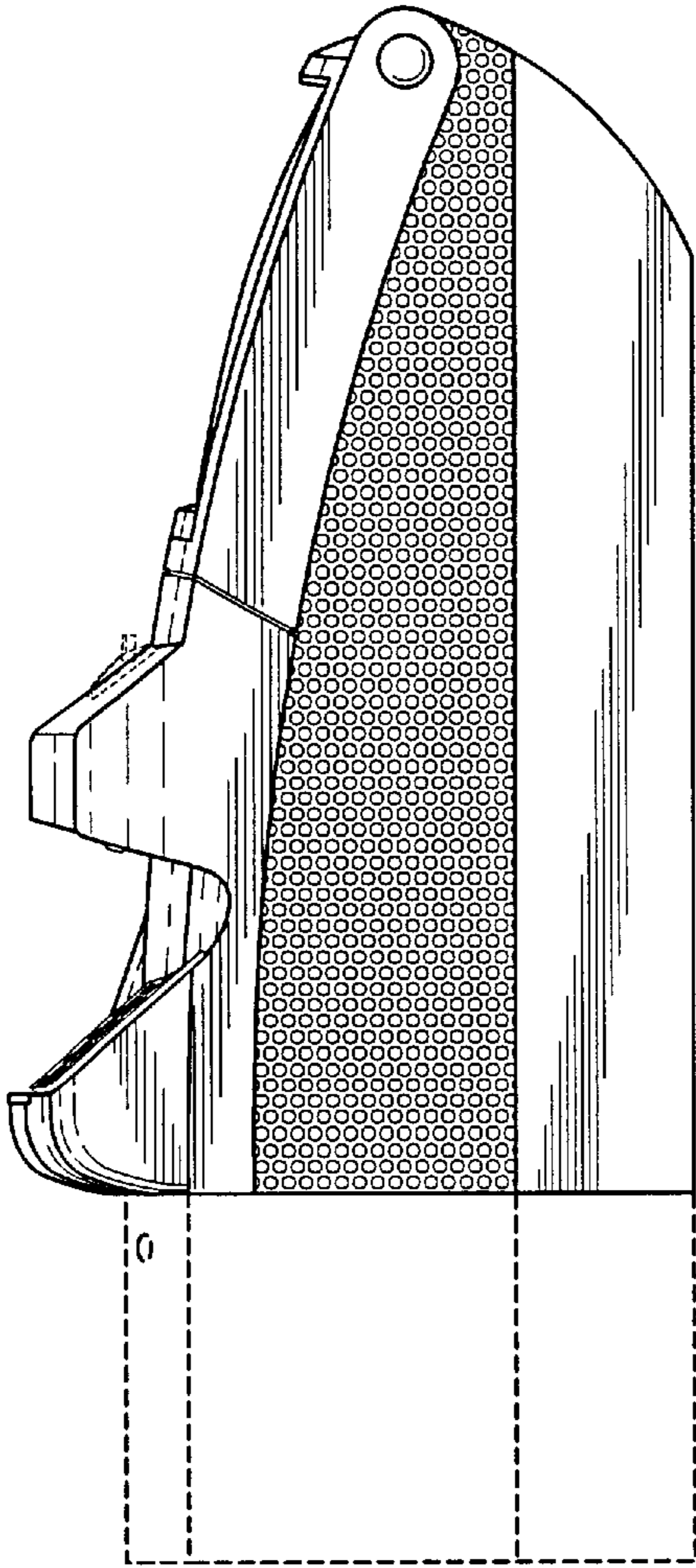


Fig. 3

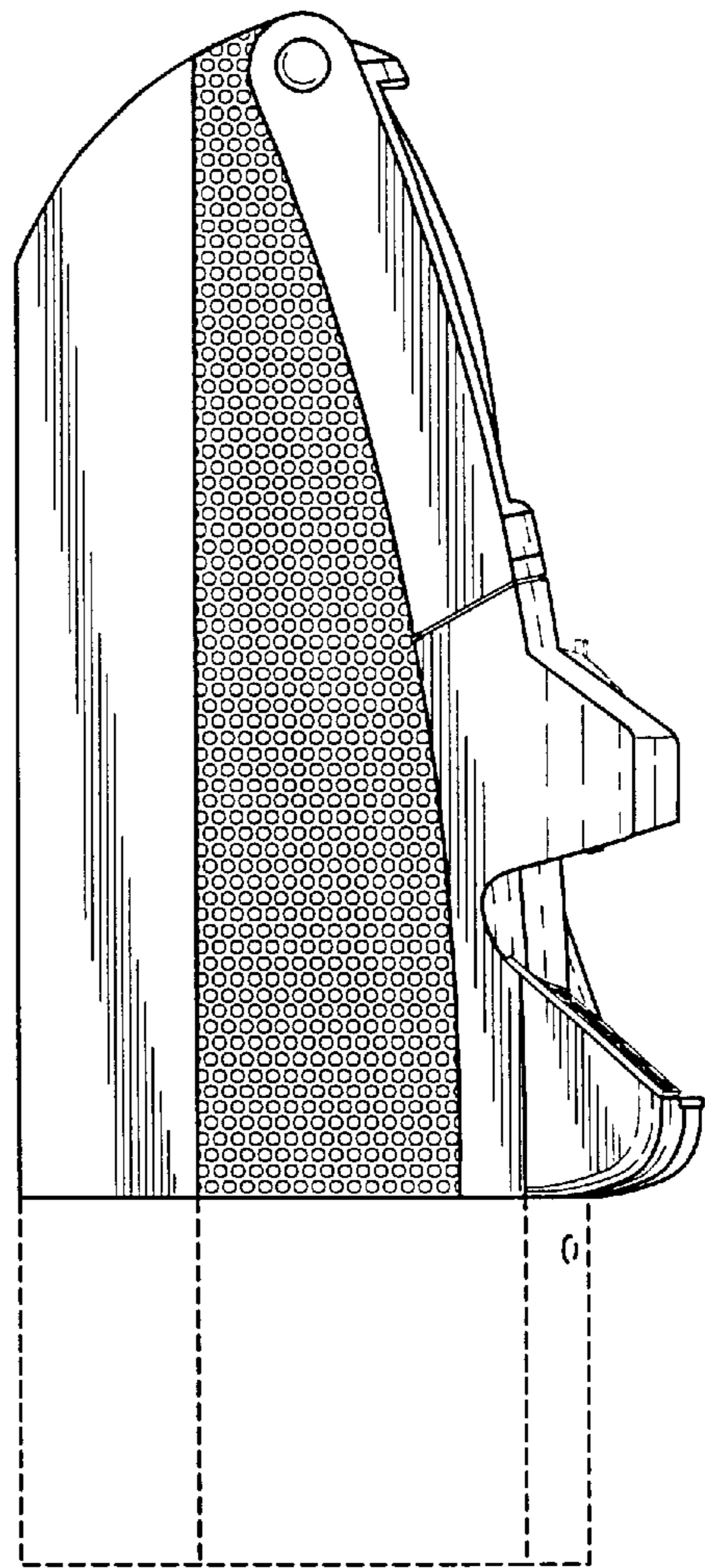


Fig. 4

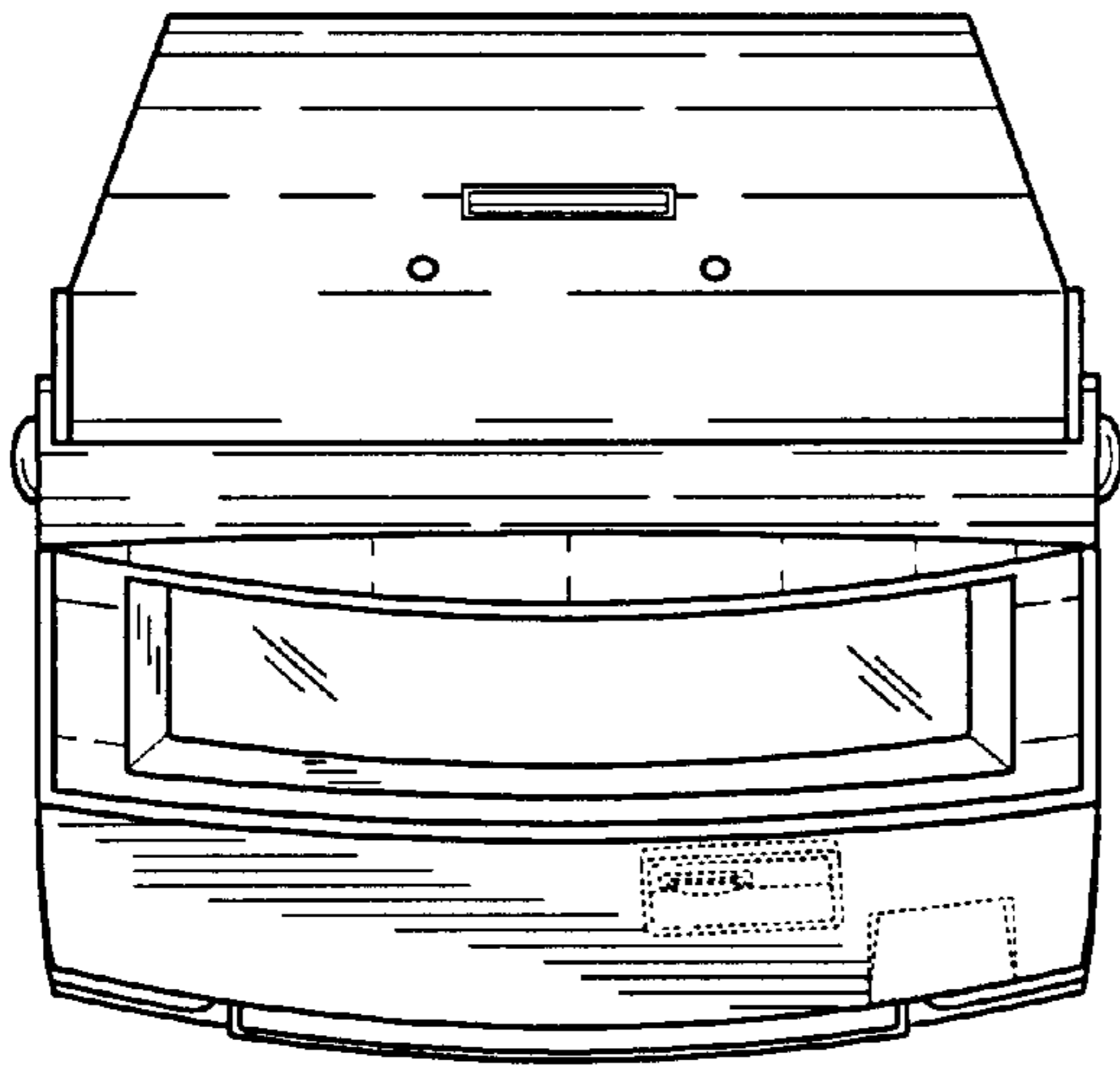


Fig. 5

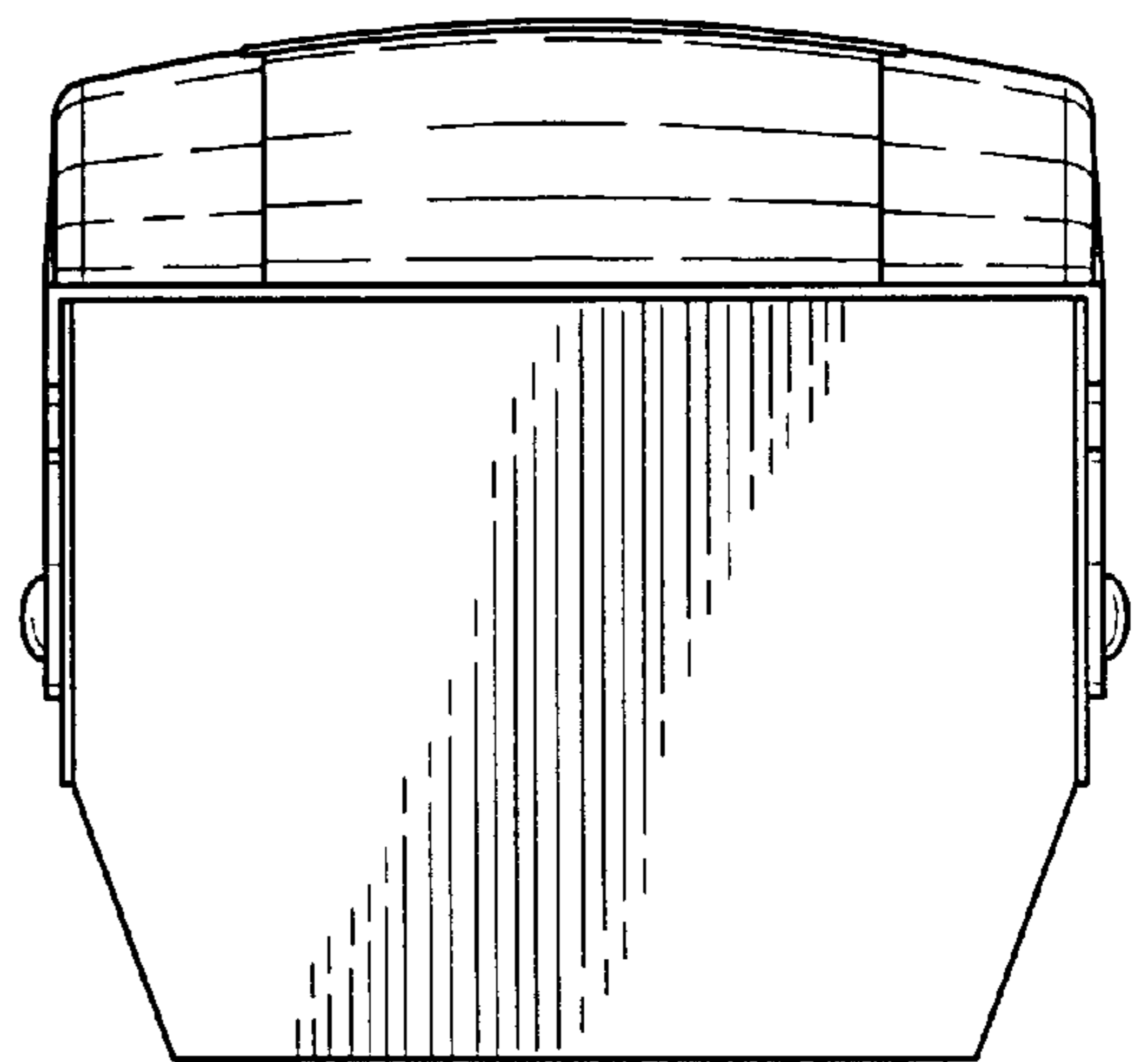


Fig. 6

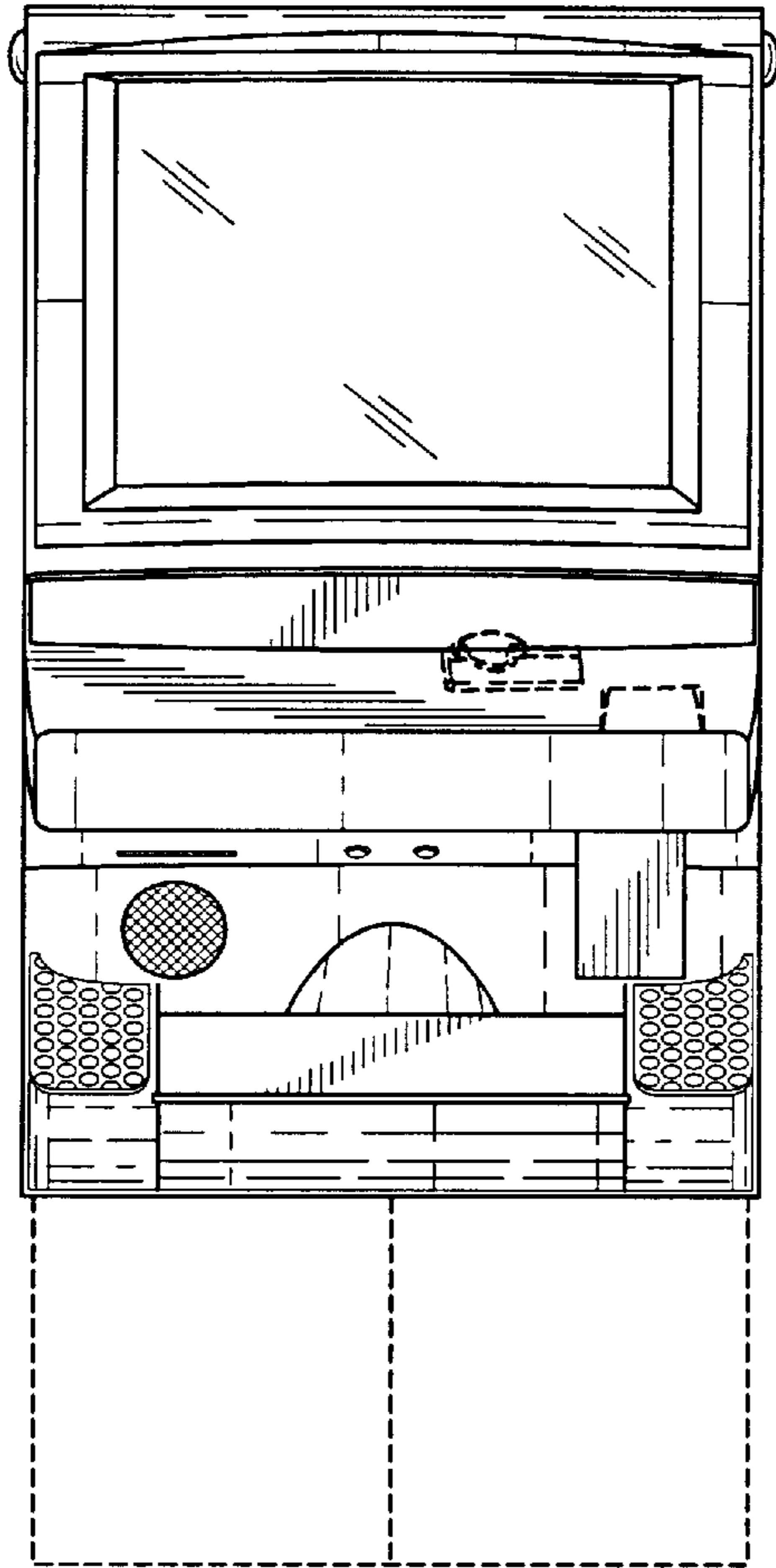


Fig. 7

