



US00D451149B1

(12) **United States Design Patent**
Seelig et al.

(10) **Patent No.:** **US D451,149 S**

(45) **Date of Patent:** **** Nov. 27, 2001**

(54) **WAGERING DEVICE DISPLAY**

3,679,208 * 7/1972 Carrano, Jr. et al. 273/412

5,187,889 * 2/1993 Kraseslesky 40/407

5,743,526 * 4/1998 Inoue 273/144 R

(75) Inventors: **Jerald C. Seelig; Lawrence M. Henshaw**, both of Pleasantville, NJ (US)

OTHER PUBLICATIONS

Advertisement for "La Sphere Triomphe", ryo catteau.*

* cited by examiner

(73) Assignee: **Atlantic City Coin & Slot Service Company, Inc.**, Pleasantville, NJ (US)

Primary Examiner—Ted Shooman

Assistant Examiner—C. Tuttle

(**) Term: **14 Years**

(74) *Attorney, Agent, or Firm*—Ian F. Burns

(21) Appl. No.: **29/119,509**

(22) Filed: **Mar. 1, 2000**

(57) **CLAIM**

(51) **LOC (7) Cl.** **21-03**

The ornamental design for a wagering device display, as shown and described.

(52) **U.S. Cl.** **D21/370**

(58) **Field of Search** D21/369–372, D21/385; D20/1–4, 7; D7/300, 306; D11/131, 145; D30/101; 273/138.1, 139, 144 R, 145 R, 145 A, 145 CA, 145 B, 269; 220/665, 669; 221/155; 47/69; 428/13; 40/406–410, 506, 510, 660, 661

DESCRIPTION

FIG. 1 is a perspective view of the wagering device display.

FIG. 2 is a front elevational view of the wagering device display, the rear view being identical thereto.

FIG. 3 is a top plan view of the wagering device display; and,

FIG. 4 is a right side elevational view of the wagering device display, the left side being identical thereto.

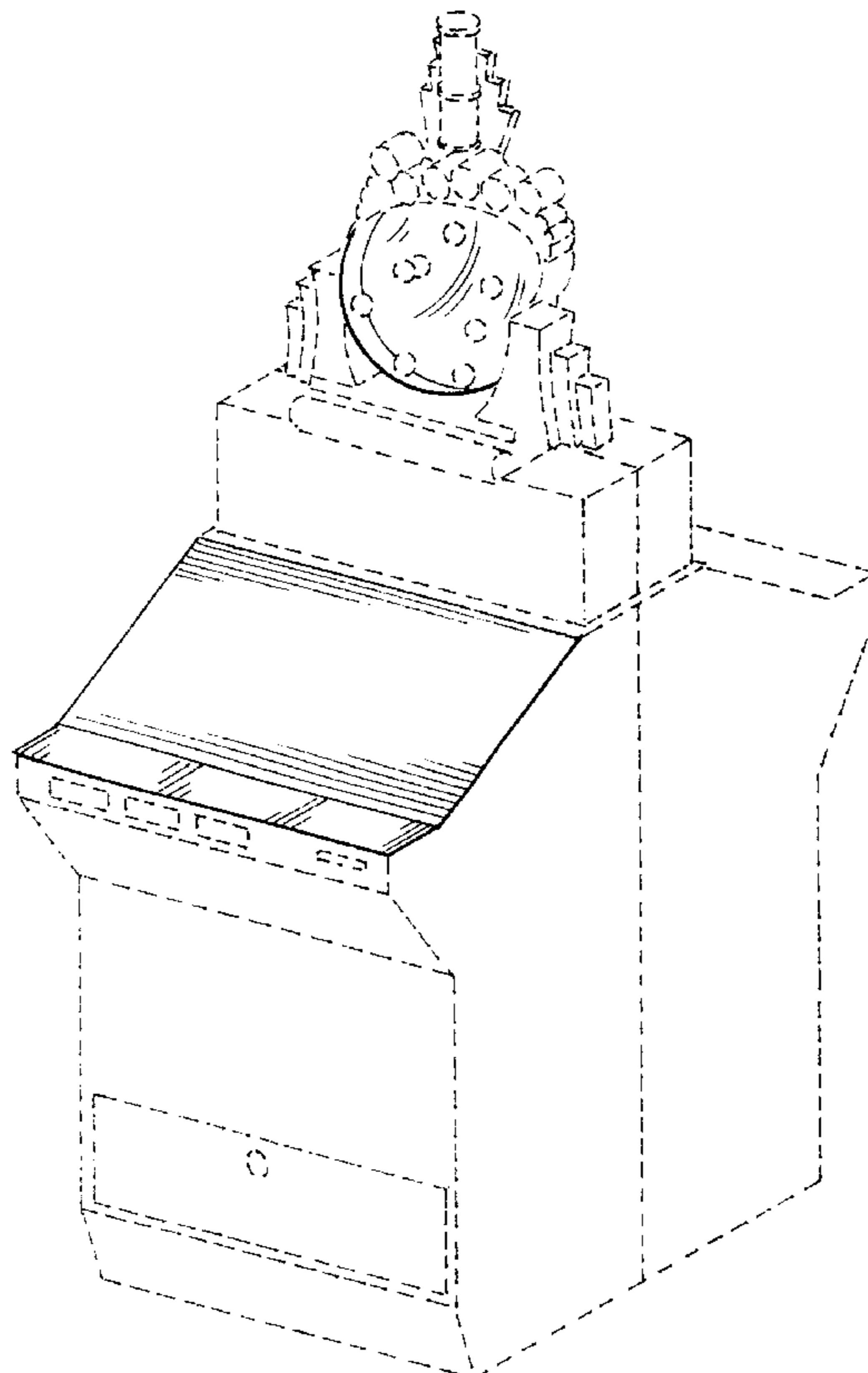
The broken lines showing the portions of the wagering device on the exterior and interior of the display are for illustrative purposes only and form no part of the claimed design.

(56) **References Cited**

U.S. PATENT DOCUMENTS

- D. 41,790 * 9/1911 Amsler D20/7
- D. 163,323 * 5/1951 Rioux D21/372
- D. 375,764 * 11/1996 Hollinger D21/371
- 490,902 * 1/1893 Galbreath 220/4.5
- 3,077,254 * 2/1963 Goldfarb 194/294
- 3,557,945 * 1/1971 Gourio 47/69 X

1 Claim, 2 Drawing Sheets



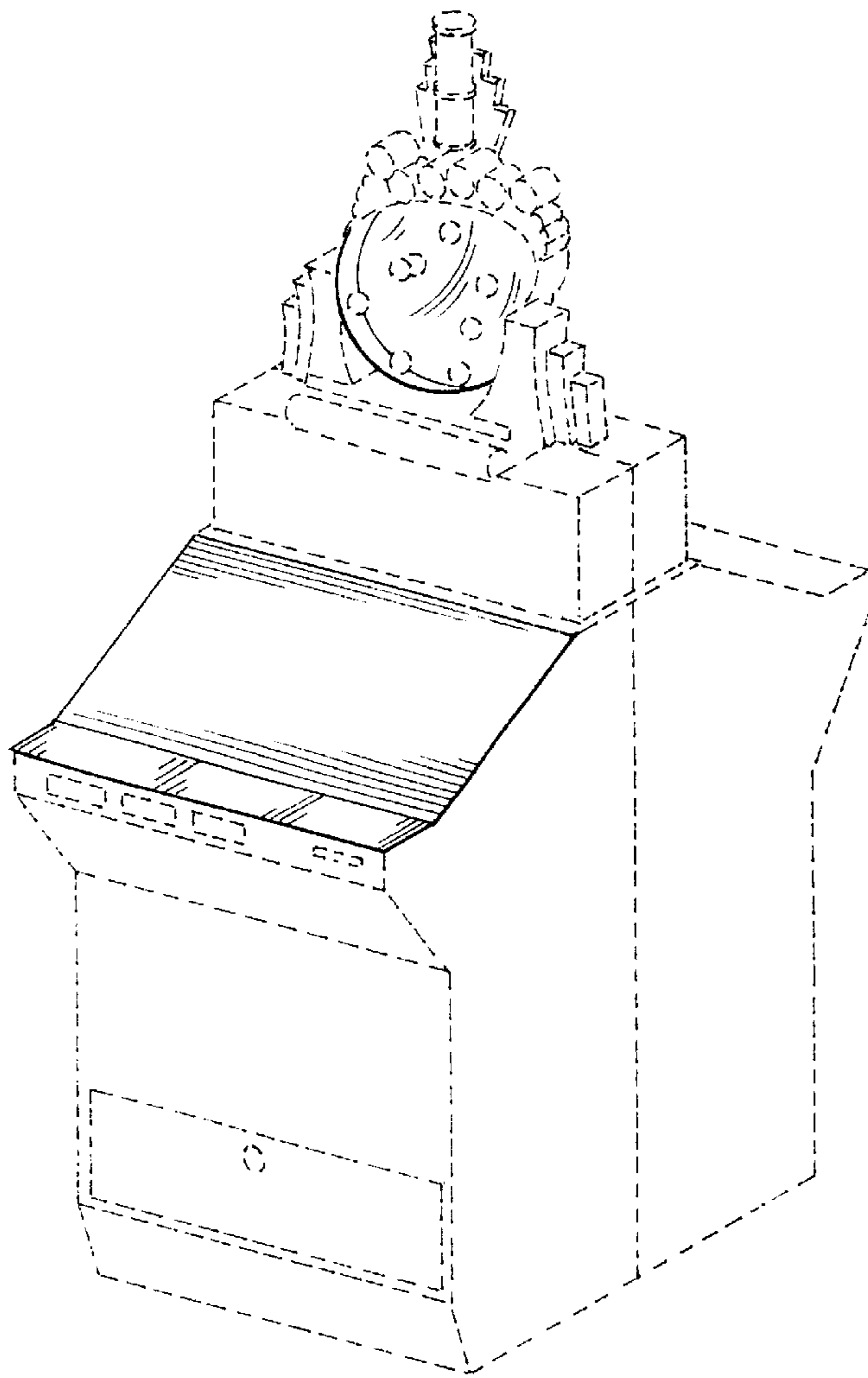


FIG. 1

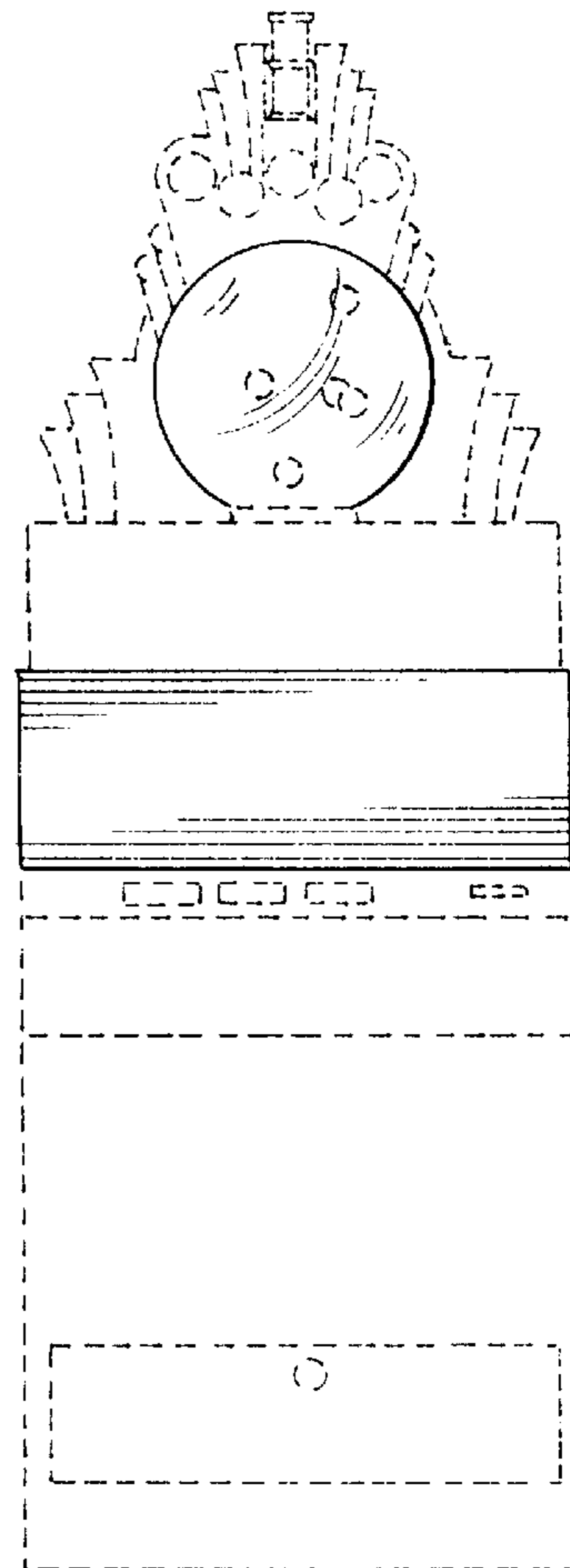


FIG. 2

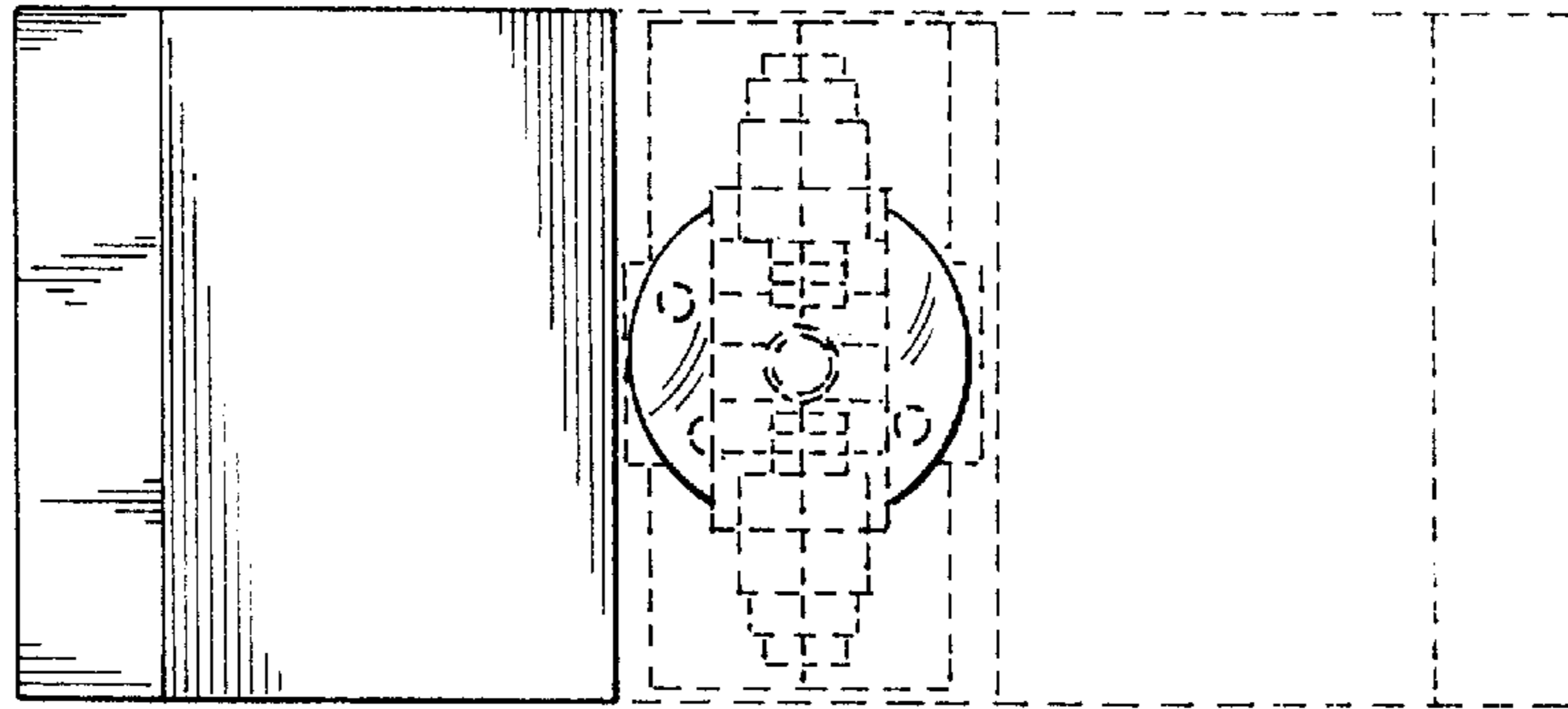


FIG. 3

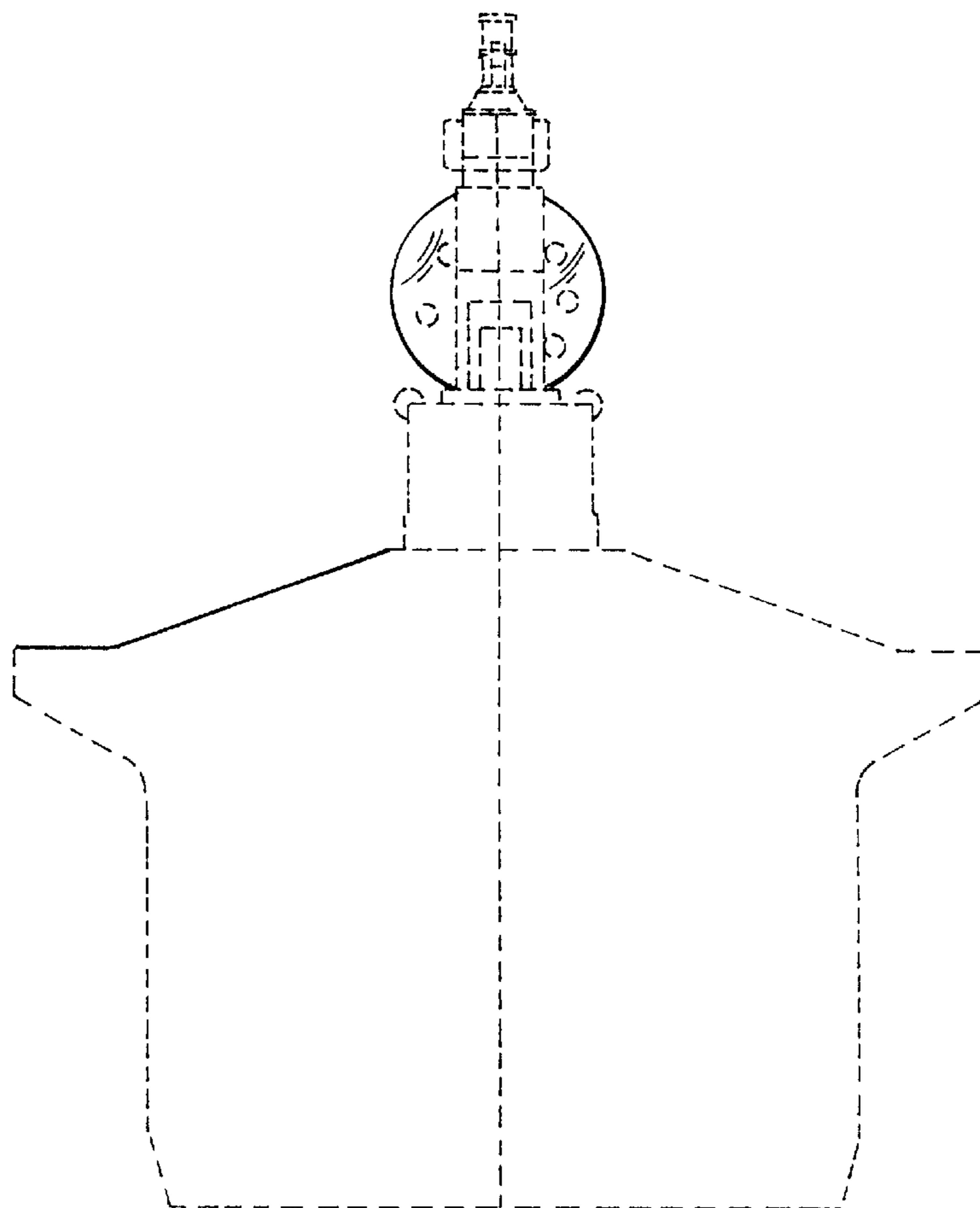


FIG. 4