



US00D451144B1

(12) **United States Design Patent**  
**Najmi**

(10) **Patent No.:** **US D451,144 S**

(45) **Date of Patent:** **\*\* Nov. 27, 2001**

(54) **MAGNETIC PAPERCLIP HOLDER**

D. 340,744 \* 10/1993 Eijben et al. .... D19/75

(75) Inventor: **Boman K Najmi**, Crofton, MD (US)

\* cited by examiner

(73) Assignee: **BHS International, Inc.**, Crofton, MD (US)

*Primary Examiner*—Gary D. Watson

*Assistant Examiner*—Elizabeth A. Albert

(74) *Attorney, Agent, or Firm*—Rabin & Berdo, P.C.

(\*\*) Term: **14 Years**

(57) **CLAIM**

(21) Appl. No.: **29/133,410**

The ornamental design for a magnetic paperclip holder, as shown and described.

(22) Filed: **Nov. 30, 2000**

(51) **LOC (7) Cl.** ..... **19-02**

(52) **U.S. Cl.** ..... **D19/75**

(58) **Field of Search** ..... D6/512, 515, 518;  
D19/65, 75, 77, 79, 93, 94, 95, 96, 97,  
99, 100; 40/358; 206/214, 224; 221/74,  
152, 212, 312 C

**DESCRIPTION**

FIG. 1 is a front perspective view of a magnetic paperclip holder showing my new design;  
FIG. 2 is a rear perspective view thereof;  
FIG. 3 is a front view thereof;  
FIG. 4 is a top view thereof;  
FIG. 5 is a left side view thereof;  
FIG. 6 is a right side view thereof;  
FIG. 7 is a rear view thereof; and,  
FIG. 8 is a bottom view thereof.

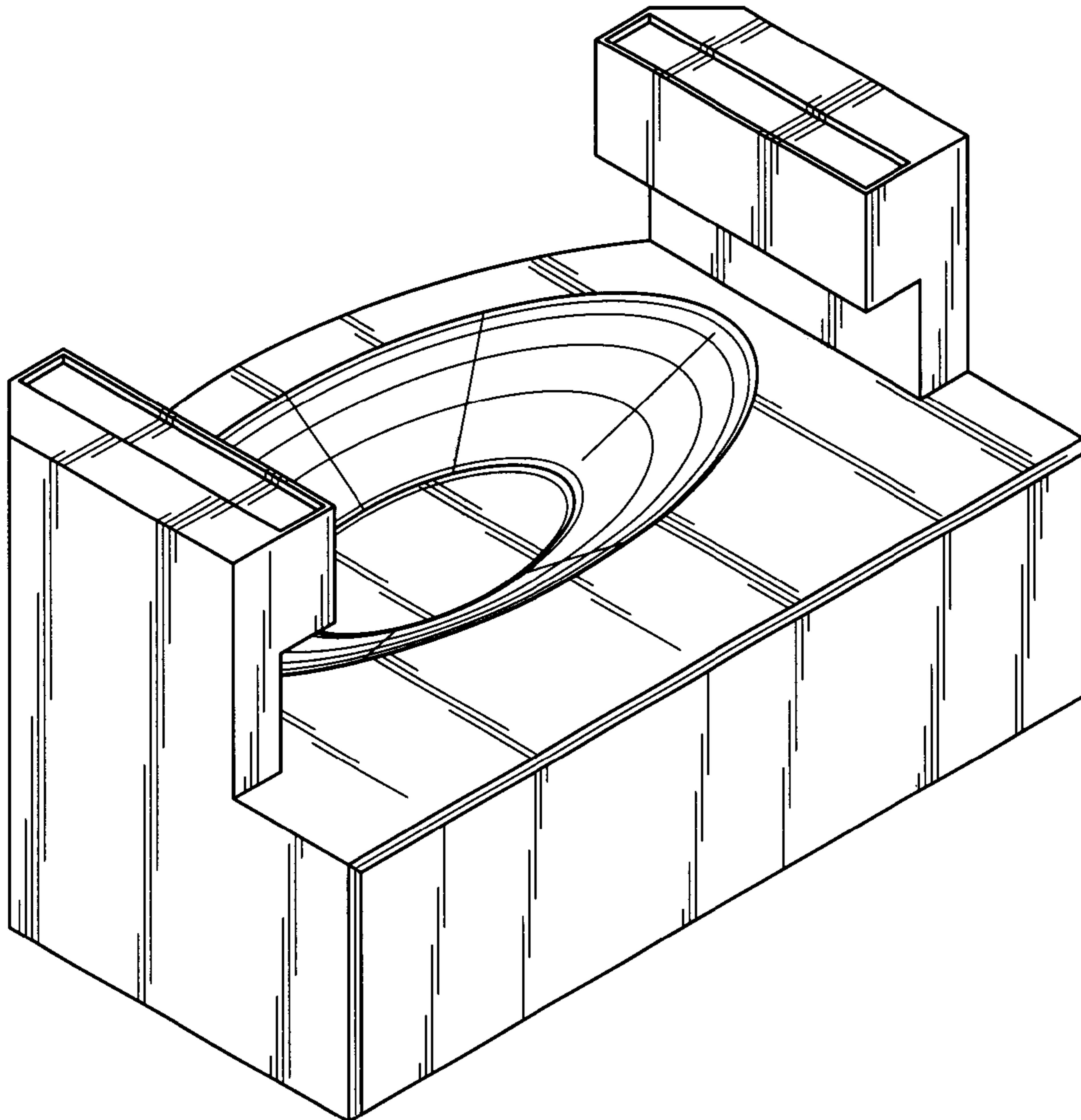
(56) **References Cited**

**U.S. PATENT DOCUMENTS**

D. 282,380 \* 1/1986 King ..... D19/96

D. 302,832 \* 8/1989 King ..... D19/75

**1 Claim, 5 Drawing Sheets**



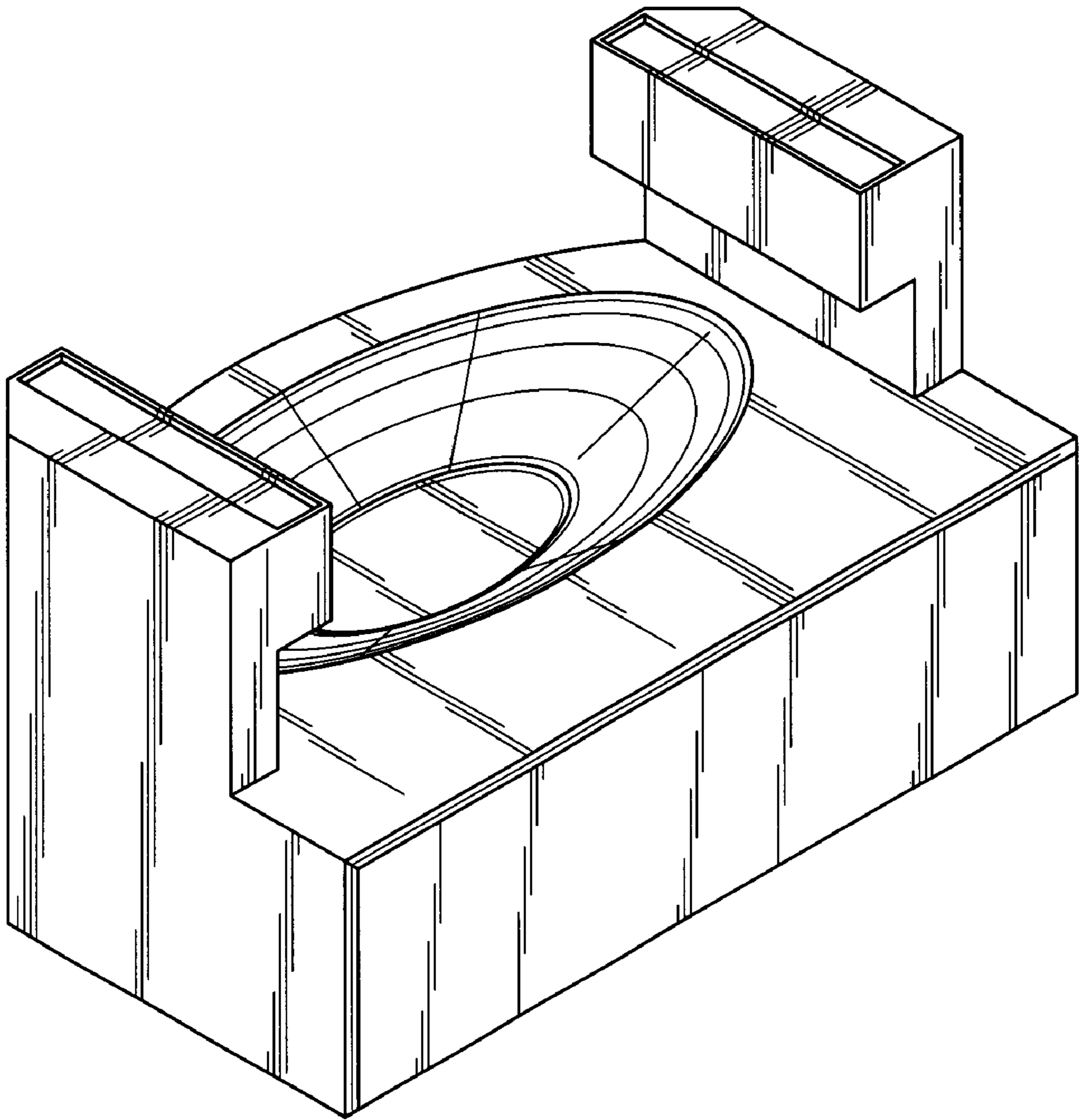


FIG. 1

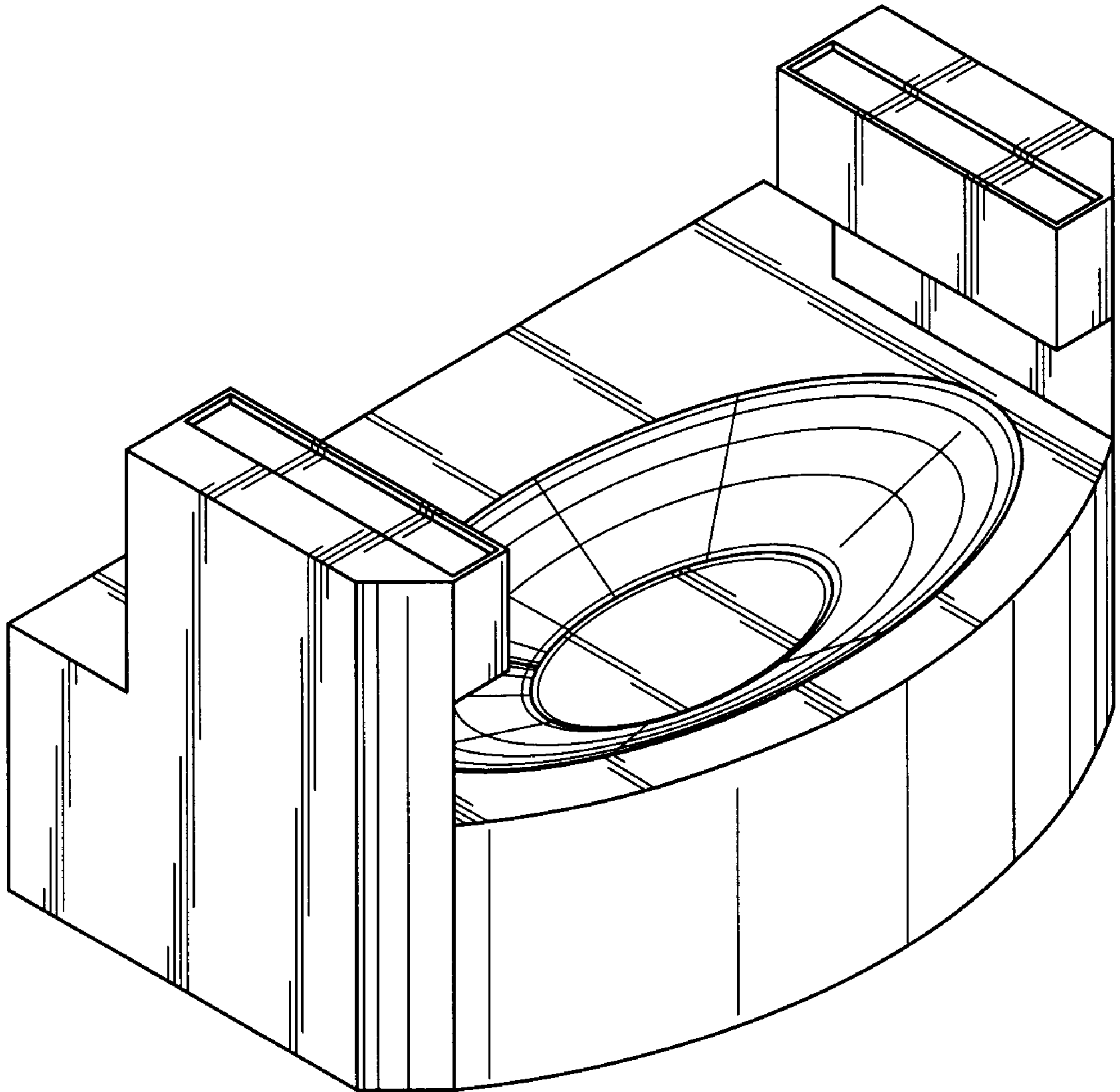


FIG. 2

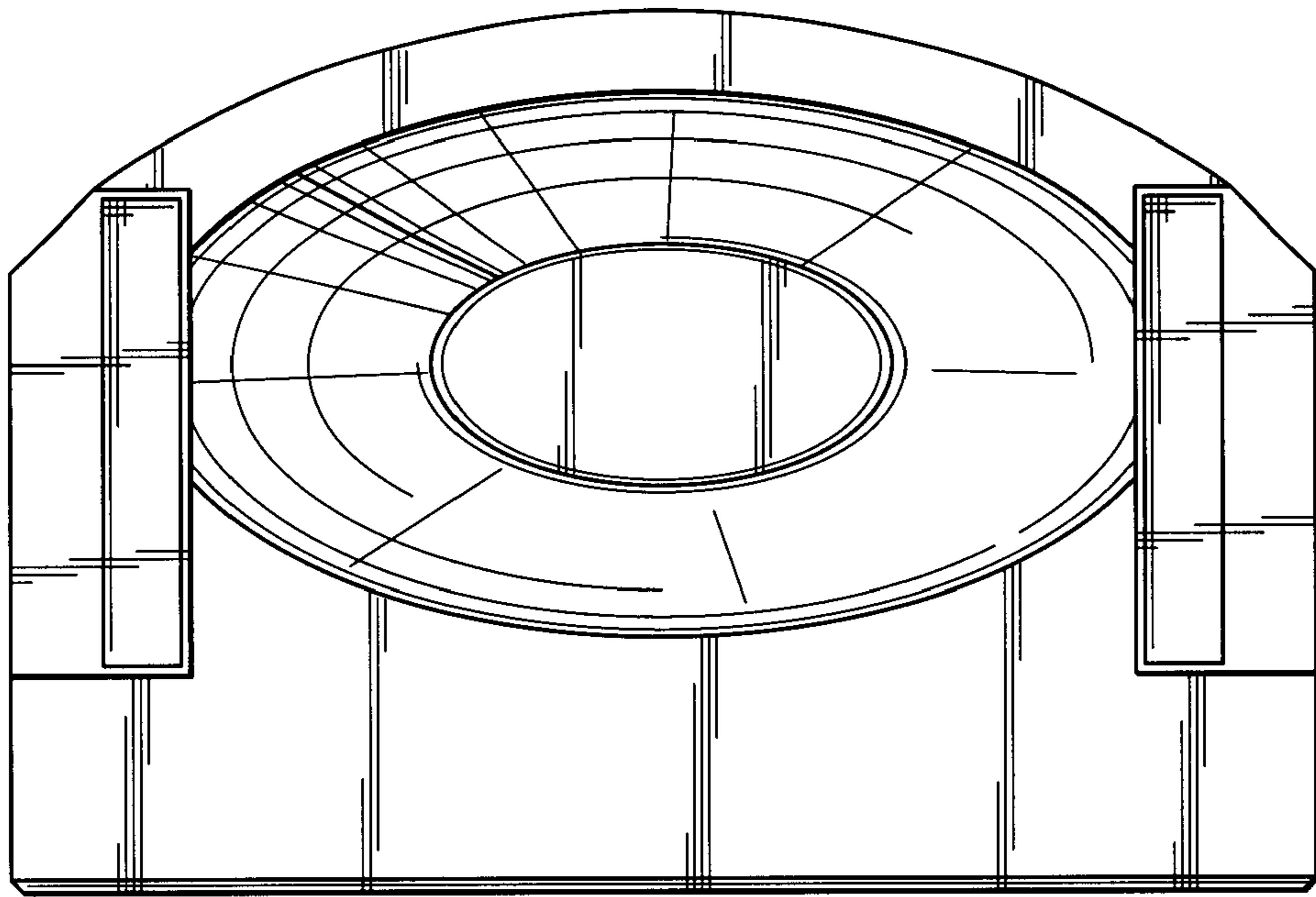


FIG. 4

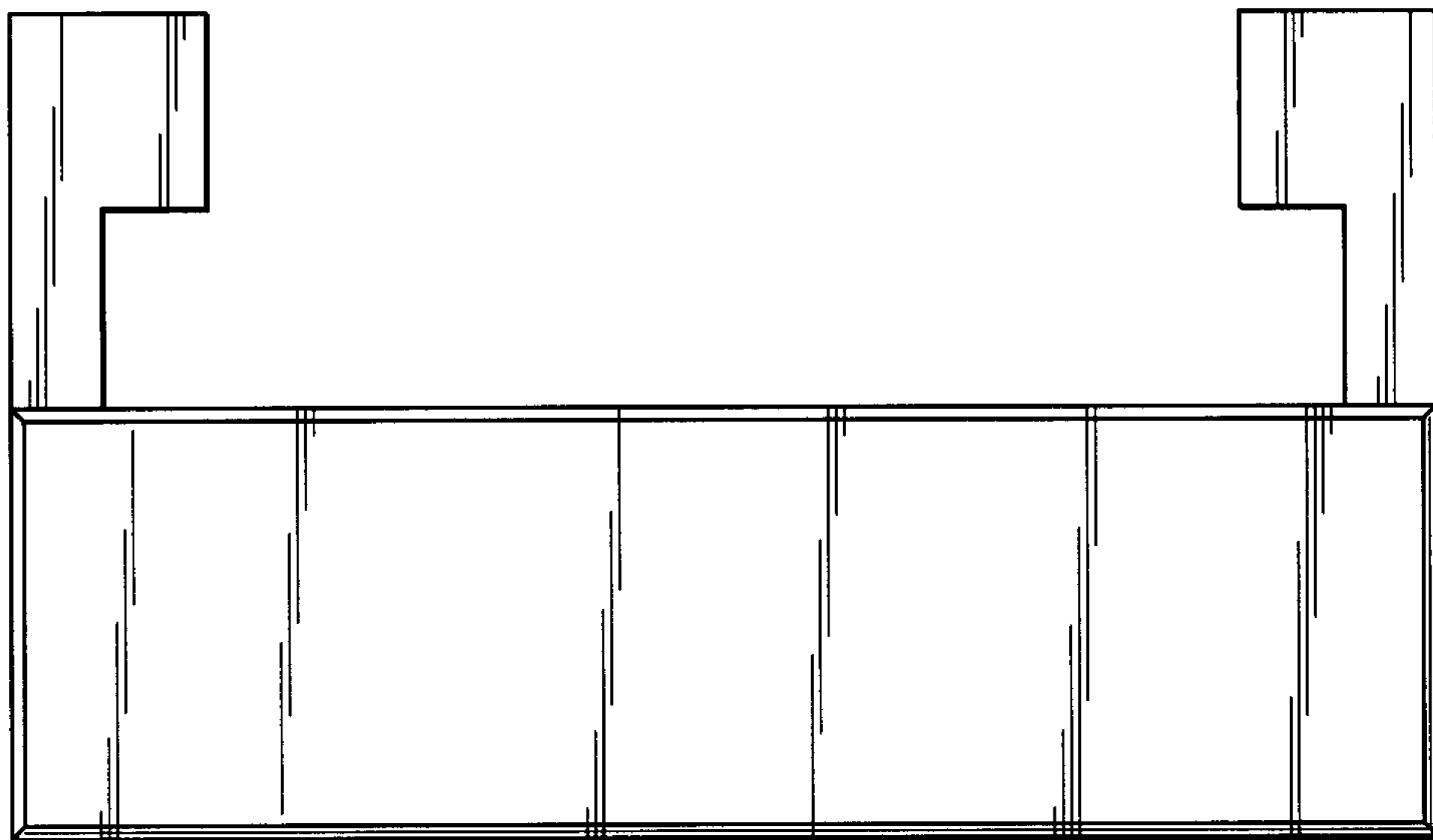


FIG. 3

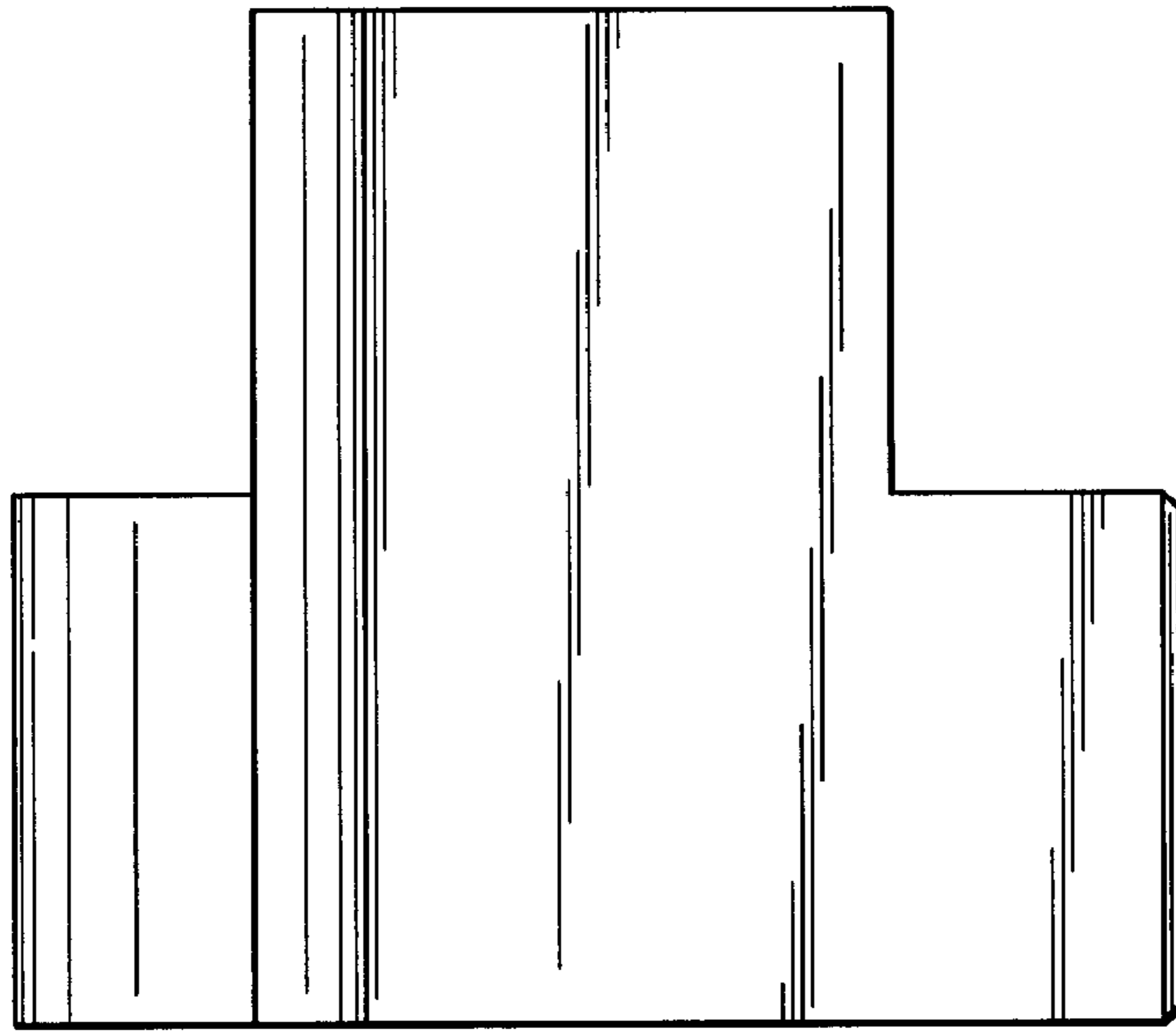


FIG. 5

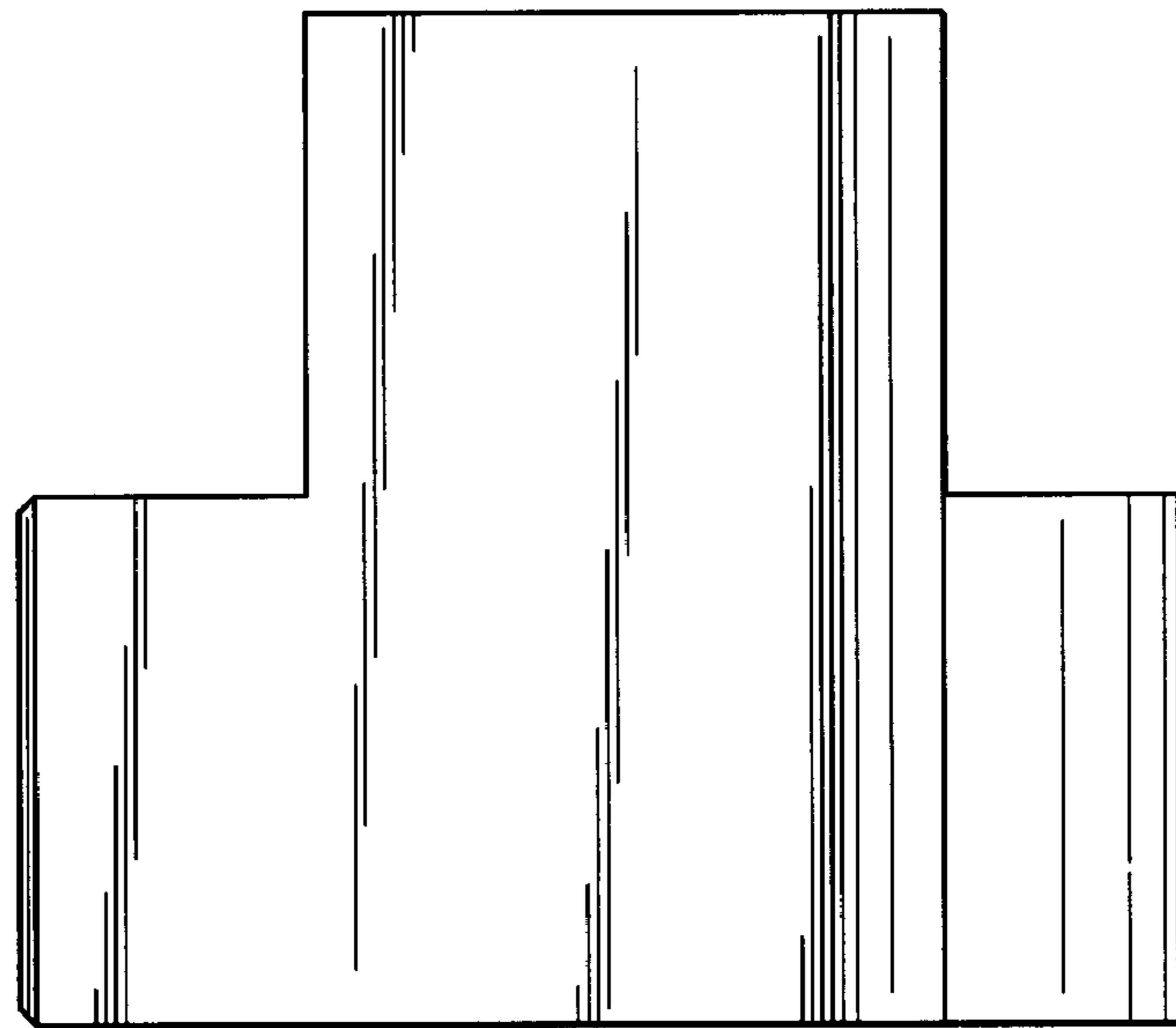


FIG. 6

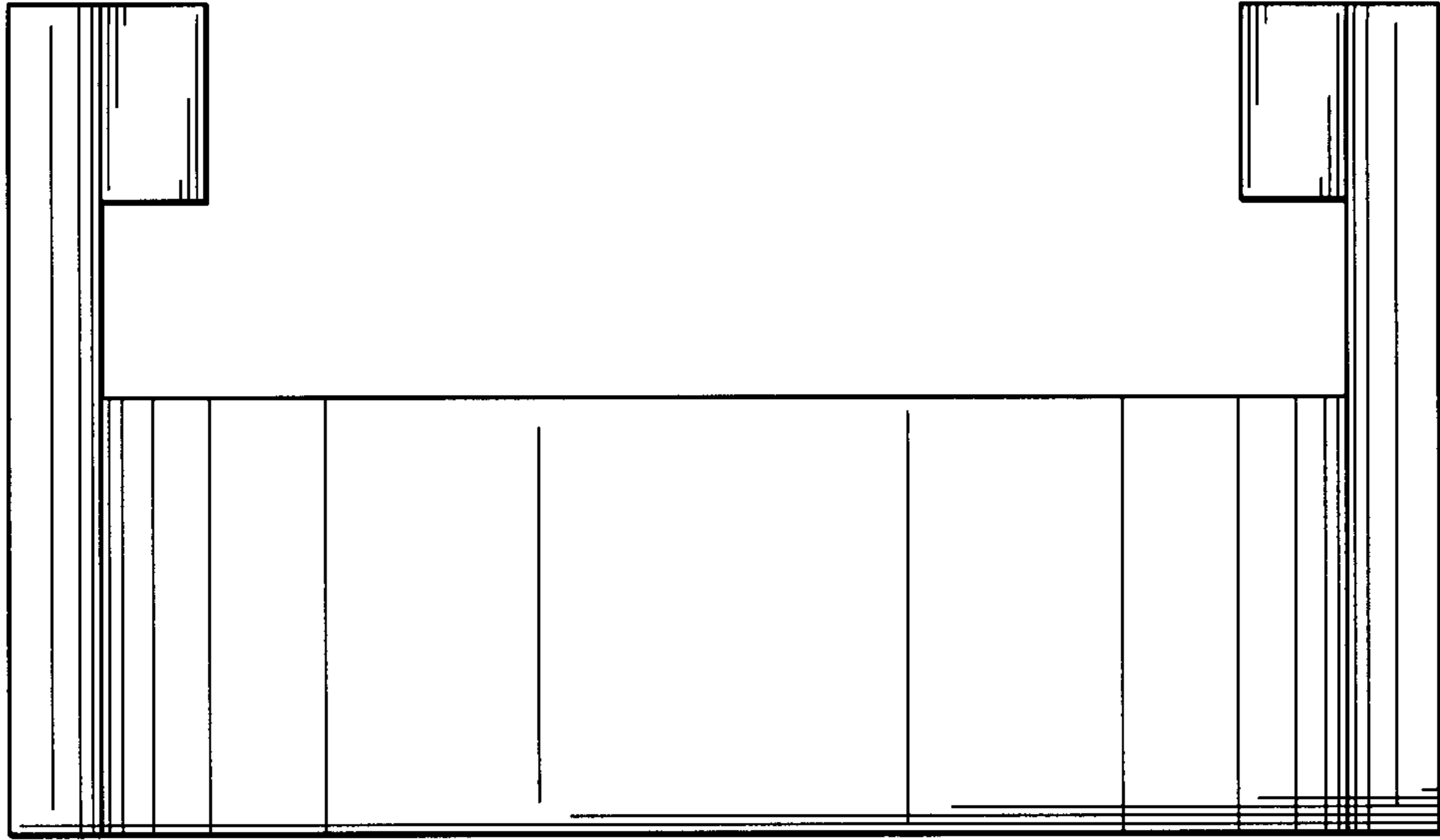


FIG. 7

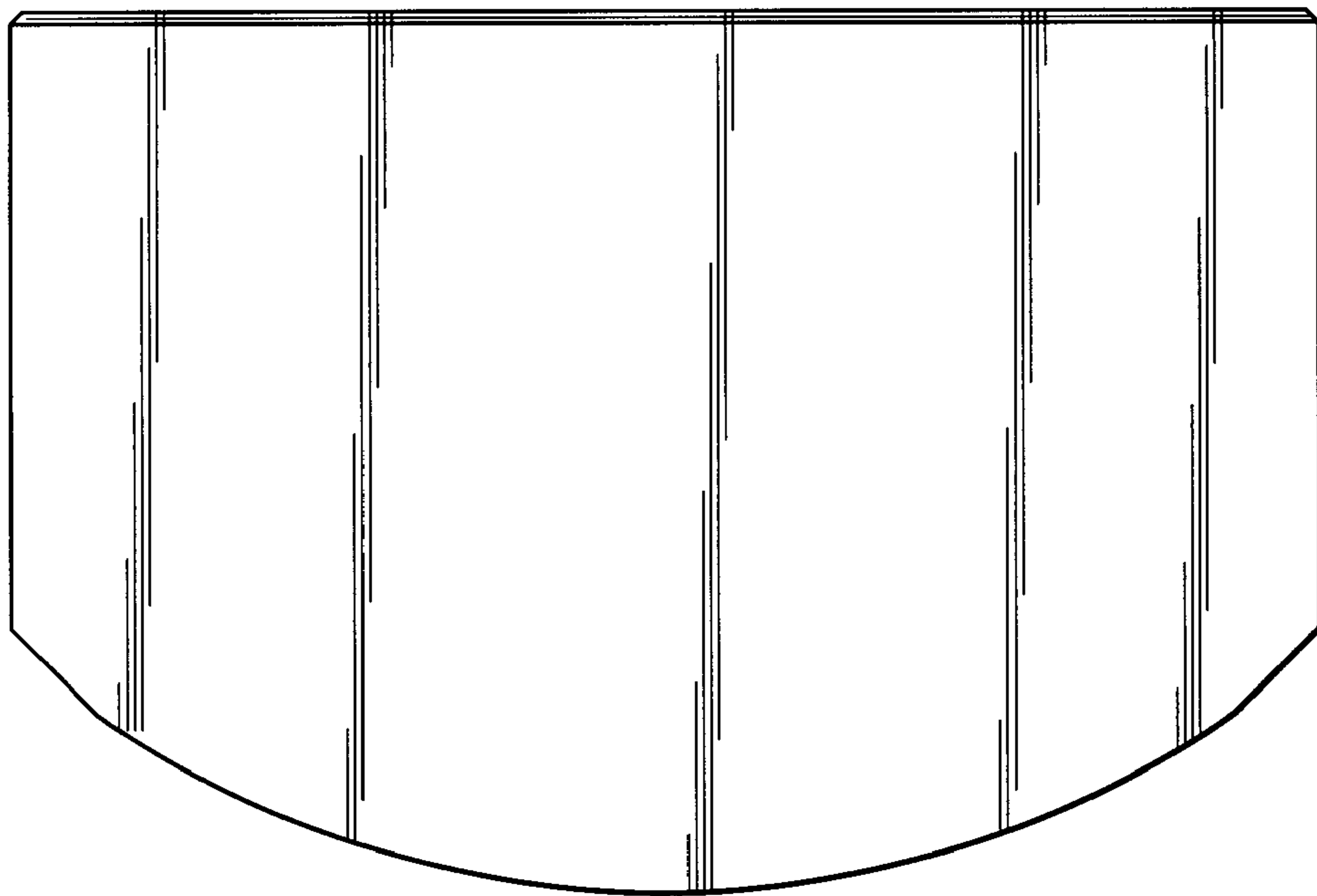


FIG. 8