



US00D451139B1

(12) **United States Design Patent**
Wang

(10) **Patent No.:** **US D451,139 S**

(45) **Date of Patent:** **** Nov. 27, 2001**

(54) **DUAL-USE PEN**
(75) **Inventor:** **Thomas Wang, Taipei Hsien (TW)**
(73) **Assignee:** **Excel Rite Enterprise Co., Ltd., Taipei Hsien (TW)**

1,772,868 * 8/1930 Keeran 401/31
2,370,414 * 2/1945 Ostrander 15/105
3,985,455 * 10/1976 Wahlberg 401/30
5,564,850 * 10/1996 Nagaoka 401/37
6,227,743 * 5/2001 Robb 401/243

(**) **Term:** **14 Years**

* cited by examiner

(21) **Appl. No.:** **29/141,663**

Primary Examiner—Martie K. Holtje

(22) **Filed:** **May 11, 2001**

(74) *Attorney, Agent, or Firm*—Dougherty & Troxell

(30) **Foreign Application Priority Data**

(57) **CLAIM**

Apr. 12, 2001 (TW) 090302292

The ornamental design for a dual-use pen, as shown and described.

(51) **LOC (7) Cl.** **19-06**

DESCRIPTION

(52) **U.S. Cl.** **D19/36; D19/49; D19/51; D19/56**

FIG. 1 is a right side elevational view of a dual-use pen showing my new design;

(58) **Field of Search** D19/35, 36, 41-51, D19/53-58, 81-85; 401/16-20, 29-34, 37, 52, 209, 195, 243; 24/10 R, 11 R; 15/105

FIG. 2 is a top end plan view thereof;

FIG. 3 is a front elevational view thereof;

FIG. 4 is a rear elevational view thereof;

FIG. 5 is a left side elevational view thereof;

FIG. 6 is a bottom end plan view thereof; and,

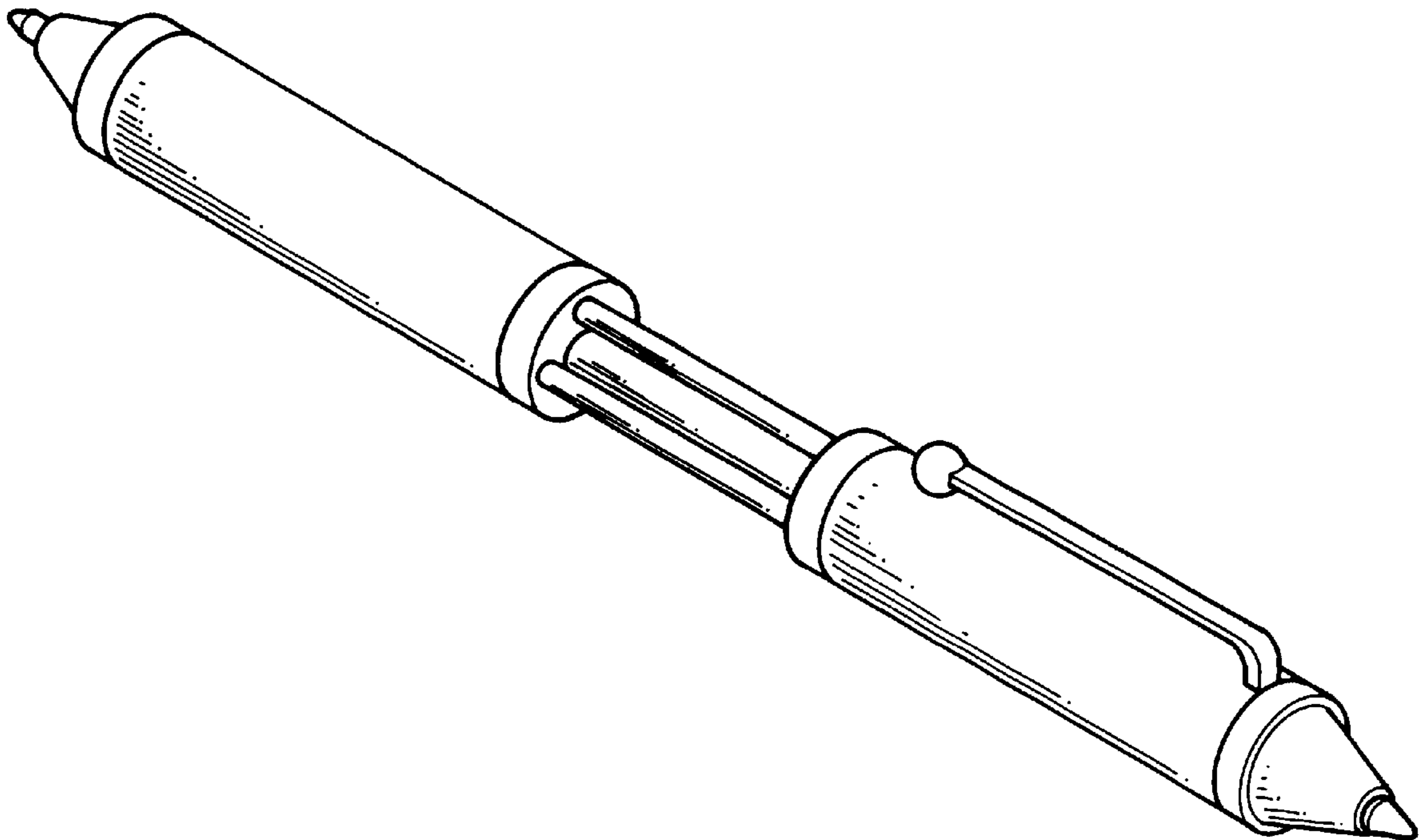
FIG. 7 is a top, right front perspective view thereof.

(56) **References Cited**

U.S. PATENT DOCUMENTS

D. 303,683 * 9/1989 Brook D19/36

1 Claim, 4 Drawing Sheets



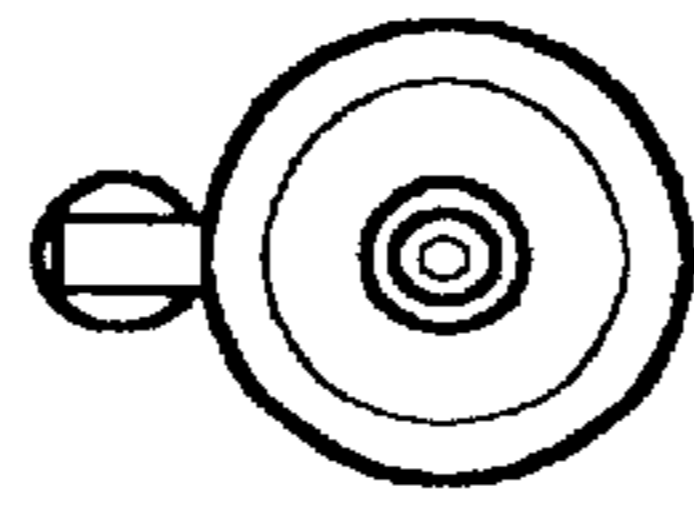


FIG. 2

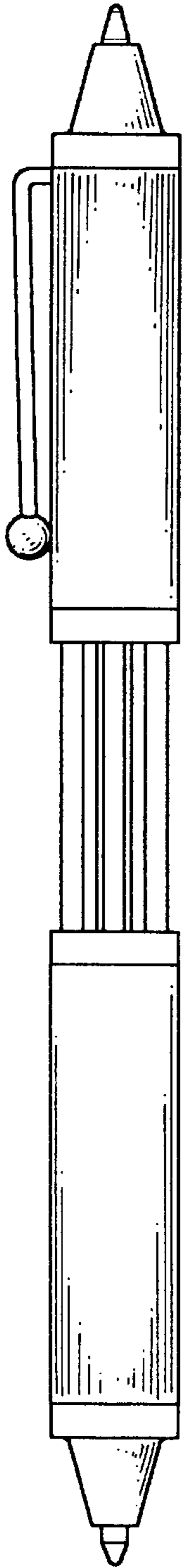


FIG. 1

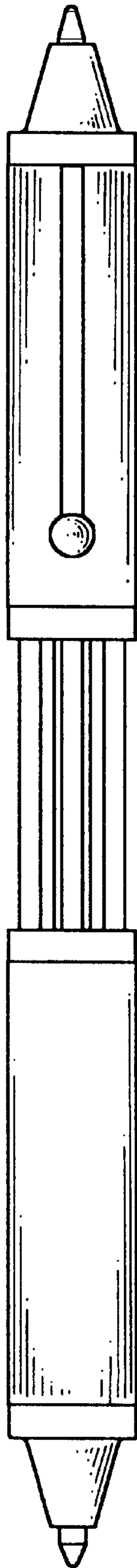


FIG. 3

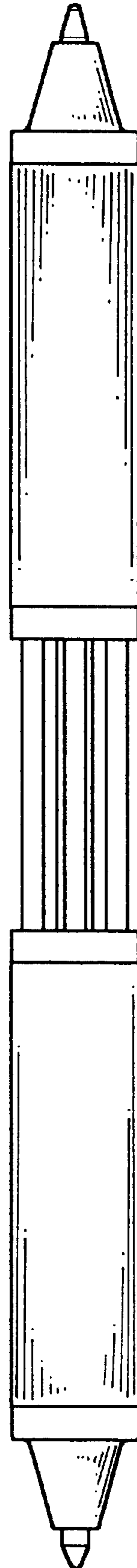


FIG. 4

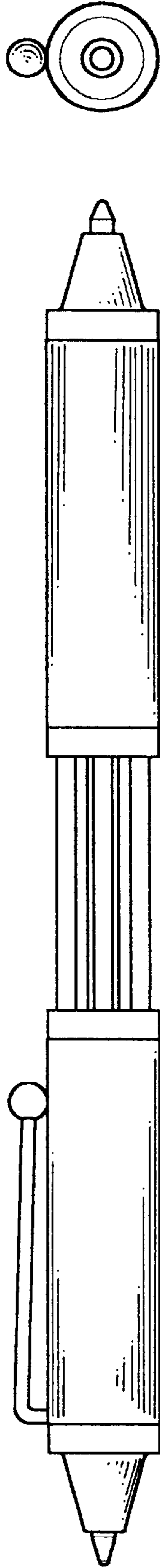


FIG. 5

FIG. 6

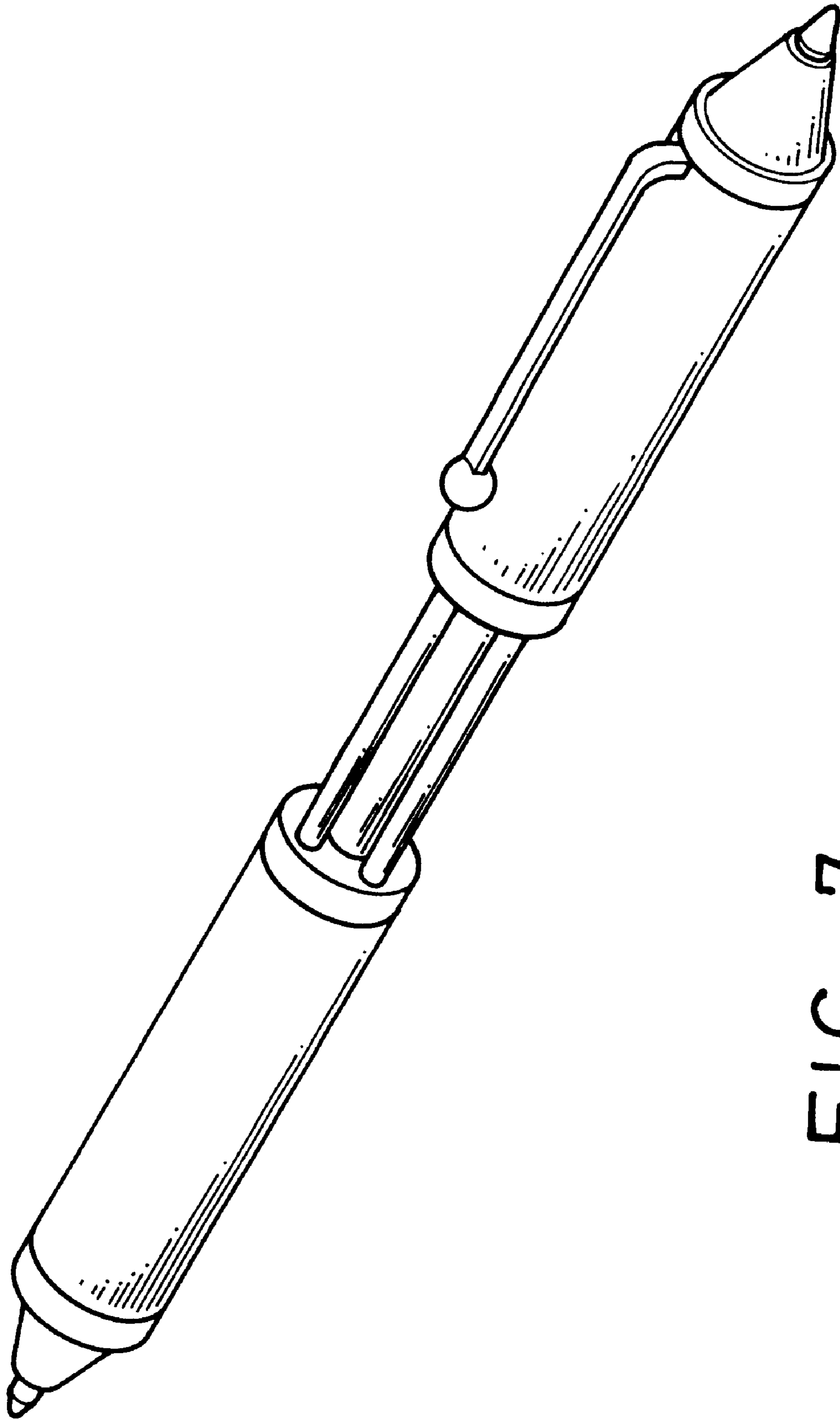


FIG. 7