



US00D451132B1

(12) **United States Design Patent**
Fernandes et al.

(10) **Patent No.:** **US D451,132 S**

(45) **Date of Patent:** **** Nov. 27, 2001**

(54) **PORTION OF A BOOK WITH TAMBOURINE IMPLANTED THEREIN**

(75) Inventors: **Leonard M. Fernandes**, Huntington;
Peng Cheong Loo, Norwalk, both of
CT (US)

(73) Assignee: **Printlink Publishers, Inc.**, Monroe, CT
(US)

(**) Term: **14 Years**

(21) Appl. No.: **29/118,029**

(22) Filed: **Feb. 1, 2000**

(51) **LOC (7) Cl.** **19-04**

(52) **U.S. Cl.** **D19/26; D19/28**

(58) **Field of Search** D19/26, 27, 32,
D19/33, 78, 86, 90, 91, 99, 100; D3/303,
900; 281/15.1, 19.1, 21.1, 27, 29, 30, 31,
35, 44, 45, 51; 402/73, 79, 80 R

(56) **References Cited**

U.S. PATENT DOCUMENTS

165,654	*	7/1875	Arms	229/67.1
D. 384,100	*	9/1997	Derraugh	D19/26
D. 389,181		1/1998	Fernandes et al.	.	
4,434,567	*	3/1984	LeVeau	40/717
4,787,160	*	11/1988	Balsamo	40/124.12
4,831,756	*	5/1989	Huang et al.	40/711
5,419,705	*	5/1995	Sandvik	434/317

OTHER PUBLICATIONS

Disney's Squeak, Abu! from Aladdin, copyright 1994, The Walt Disney Company.

* cited by examiner

Primary Examiner—Martie K. Holtje

(74) *Attorney, Agent, or Firm*—Ware, Fressola, Van der Sluys & Adolphson LLP

(57) **CLAIM**

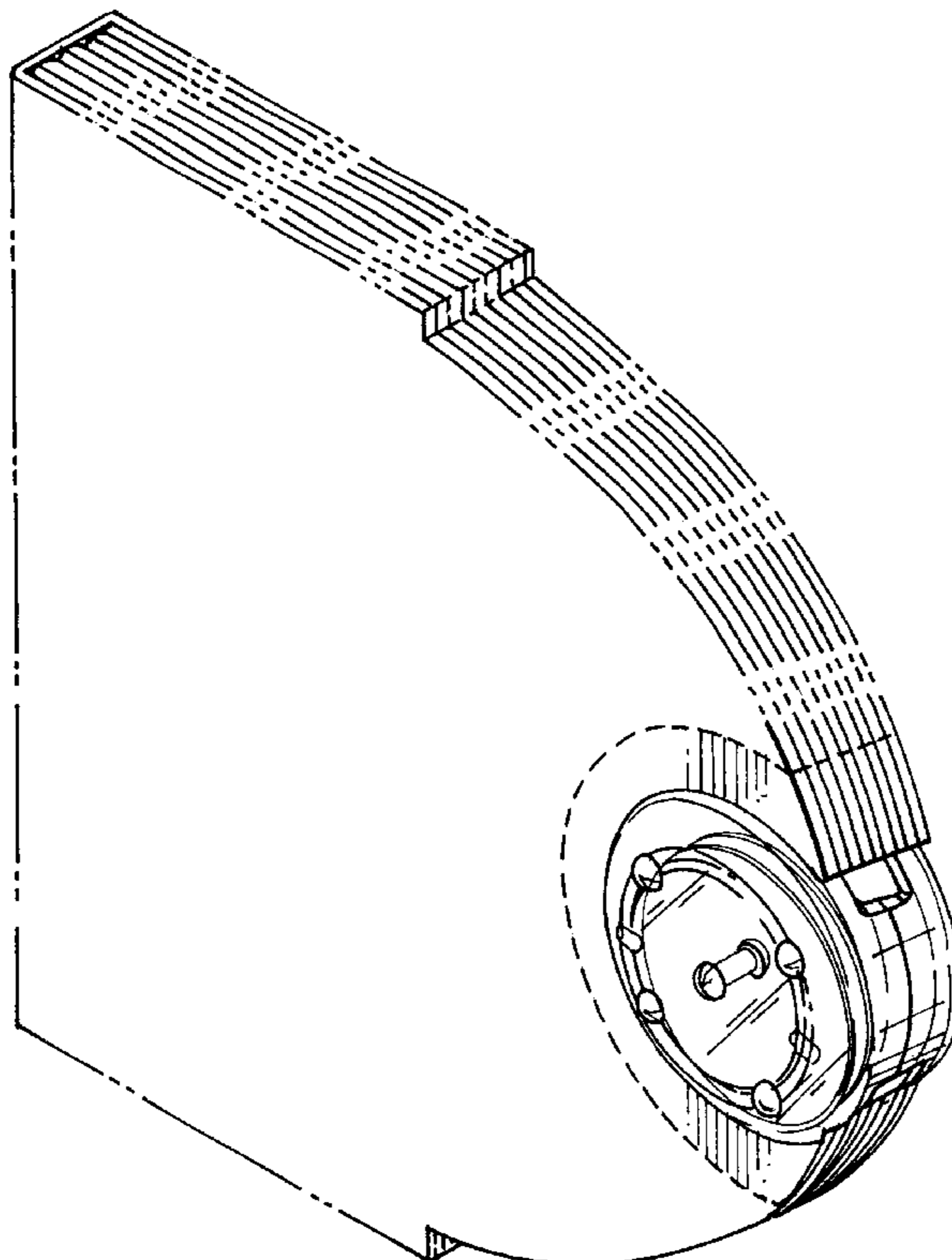
The ornamental design for a portion of a book with tambourine implanted therein, as shown and described.

DESCRIPTION

FIG. 1 is a perspective view of a portion of a book with a tambourine implanted therein showing the invention, the book being shown in a closed position;
FIG. 2 is a left side view of the invention;
FIG. 3 is a top or bottom view of the invention;
FIG. 4 is a front view of the invention;
FIG. 5 is a right side view of the invention;
FIG. 6 is a rear view of the invention; and,
FIG. 7 is a second perspective view of the invention in an open position.

The broken lines defining the boundaries are shown for illustrative purposes only and form no part of the claimed design. The remaining portions of the book are shown in phantom line for environmental purposes only and form no part of the claimed design.

1 Claim, 3 Drawing Sheets



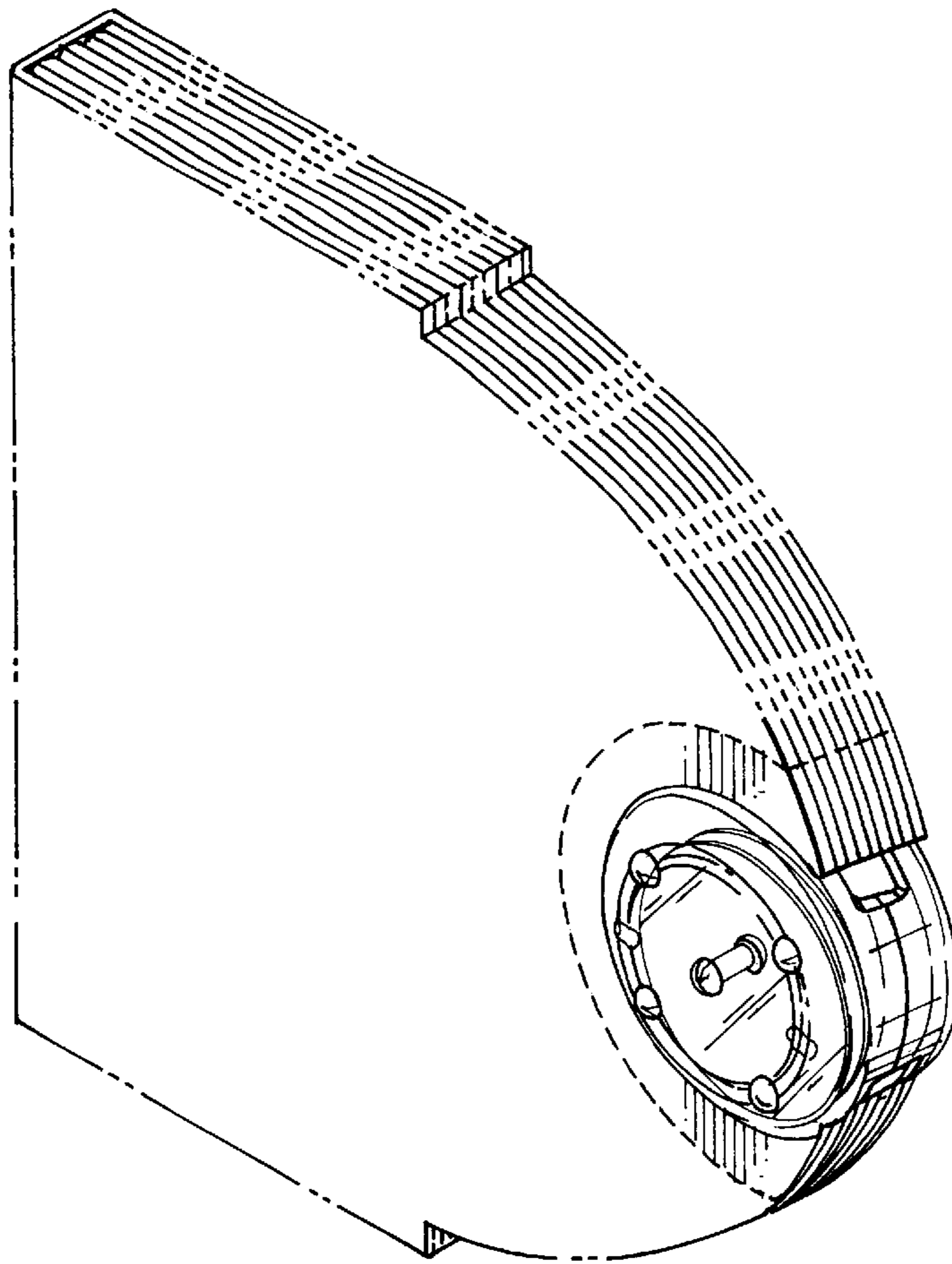


FIG. 1

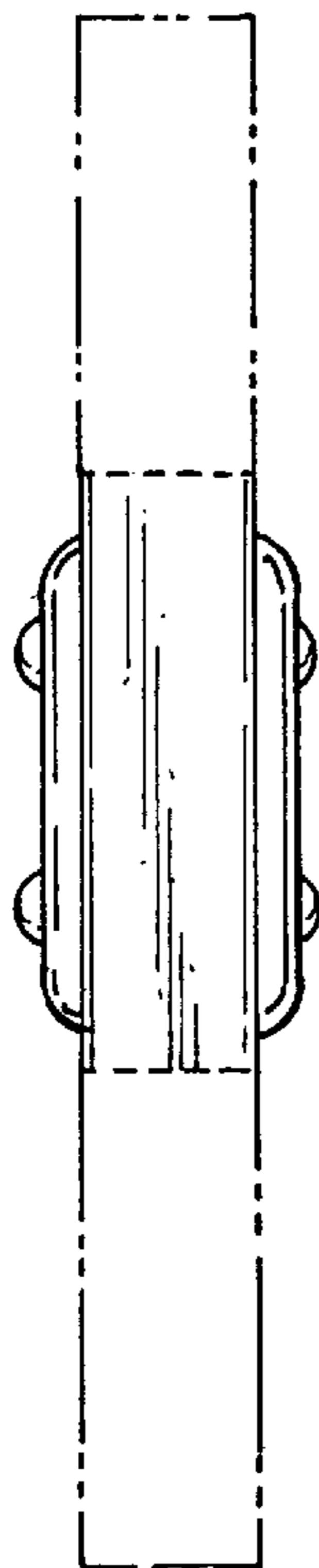


FIG. 2

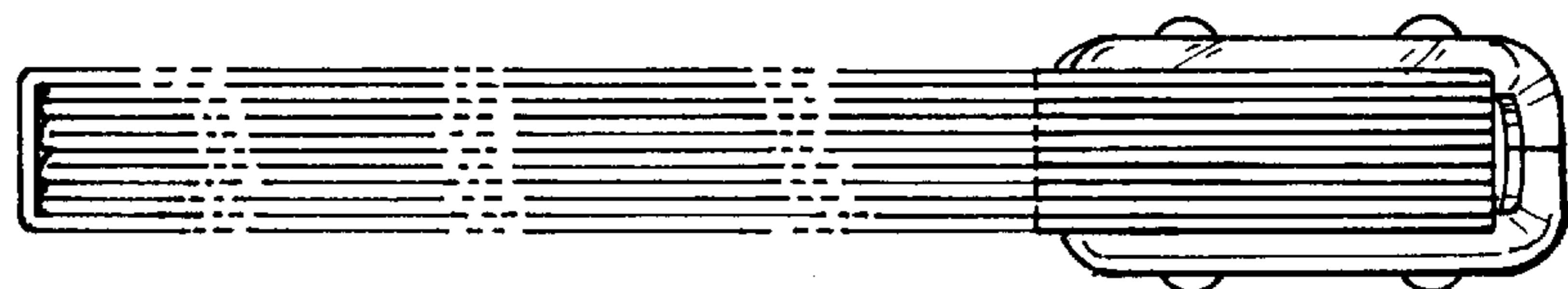


FIG. 3

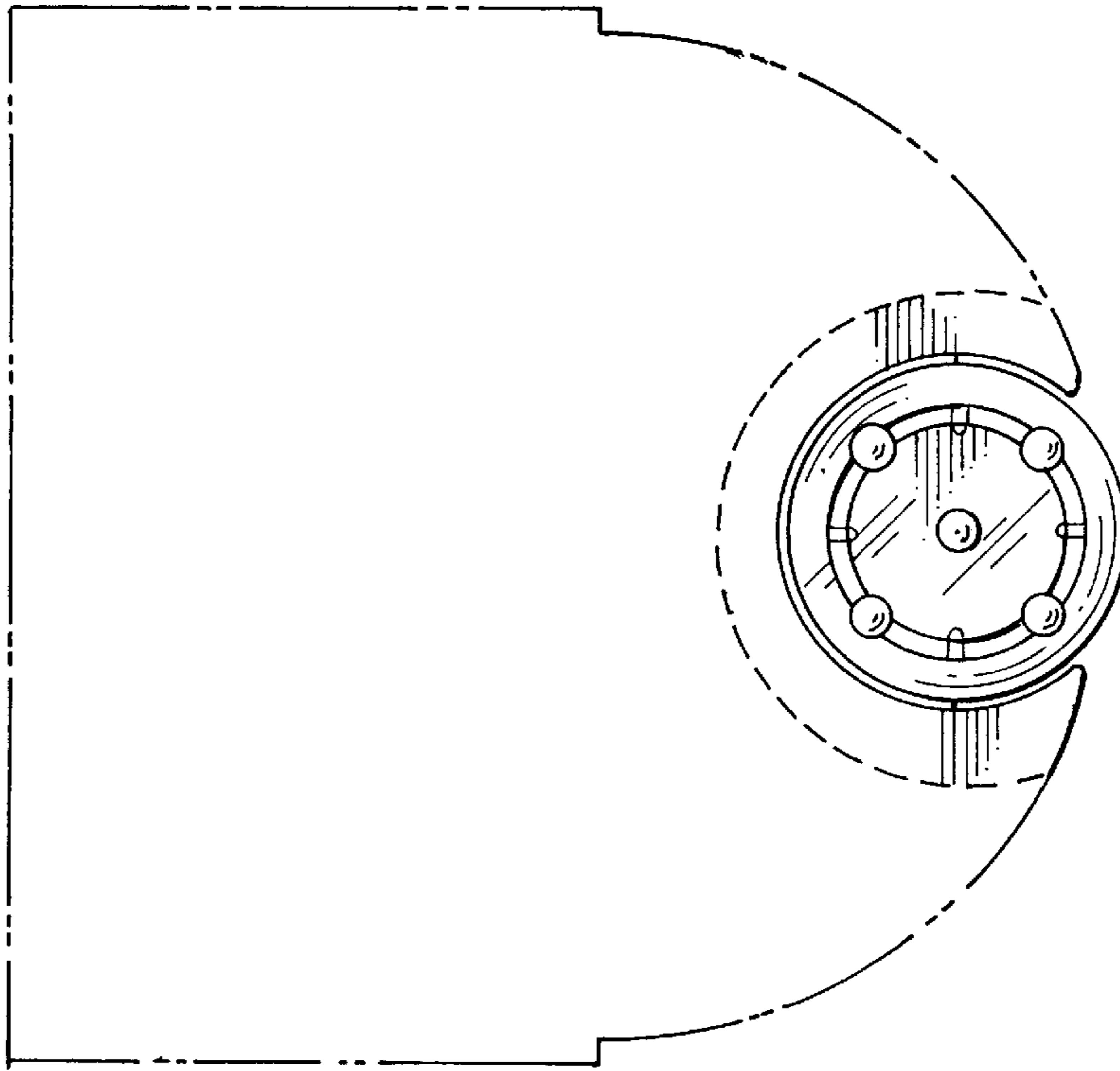


FIG. 4

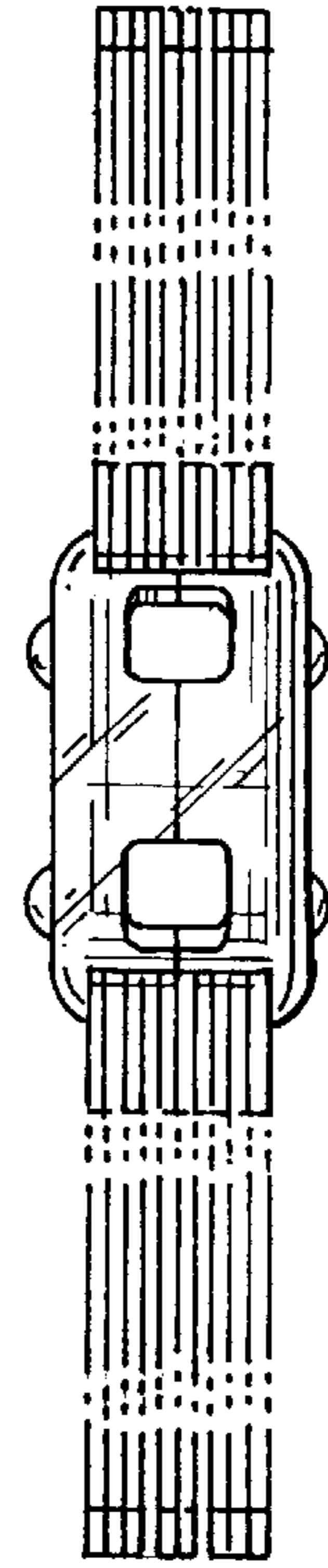


FIG. 5

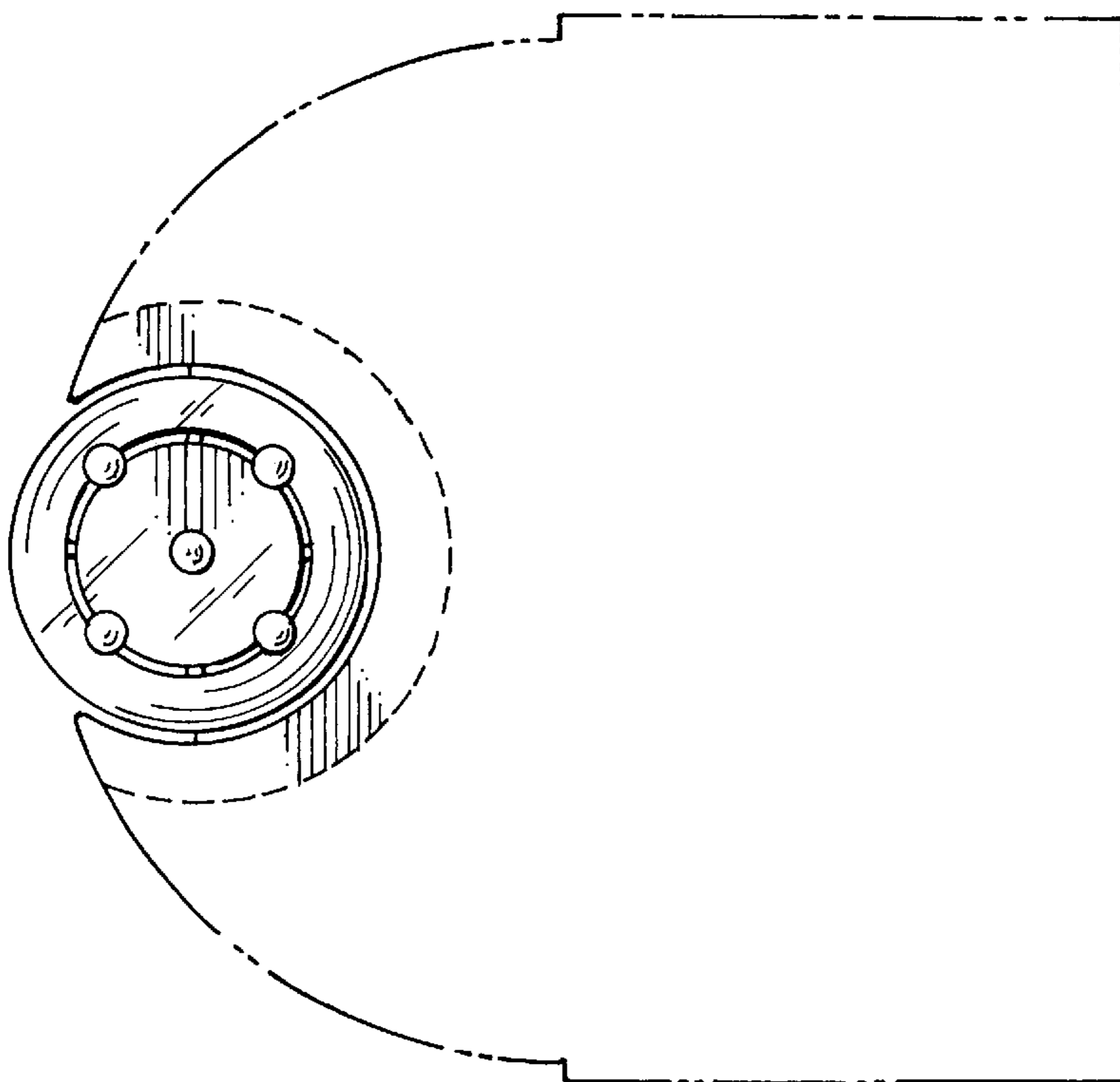


FIG. 6

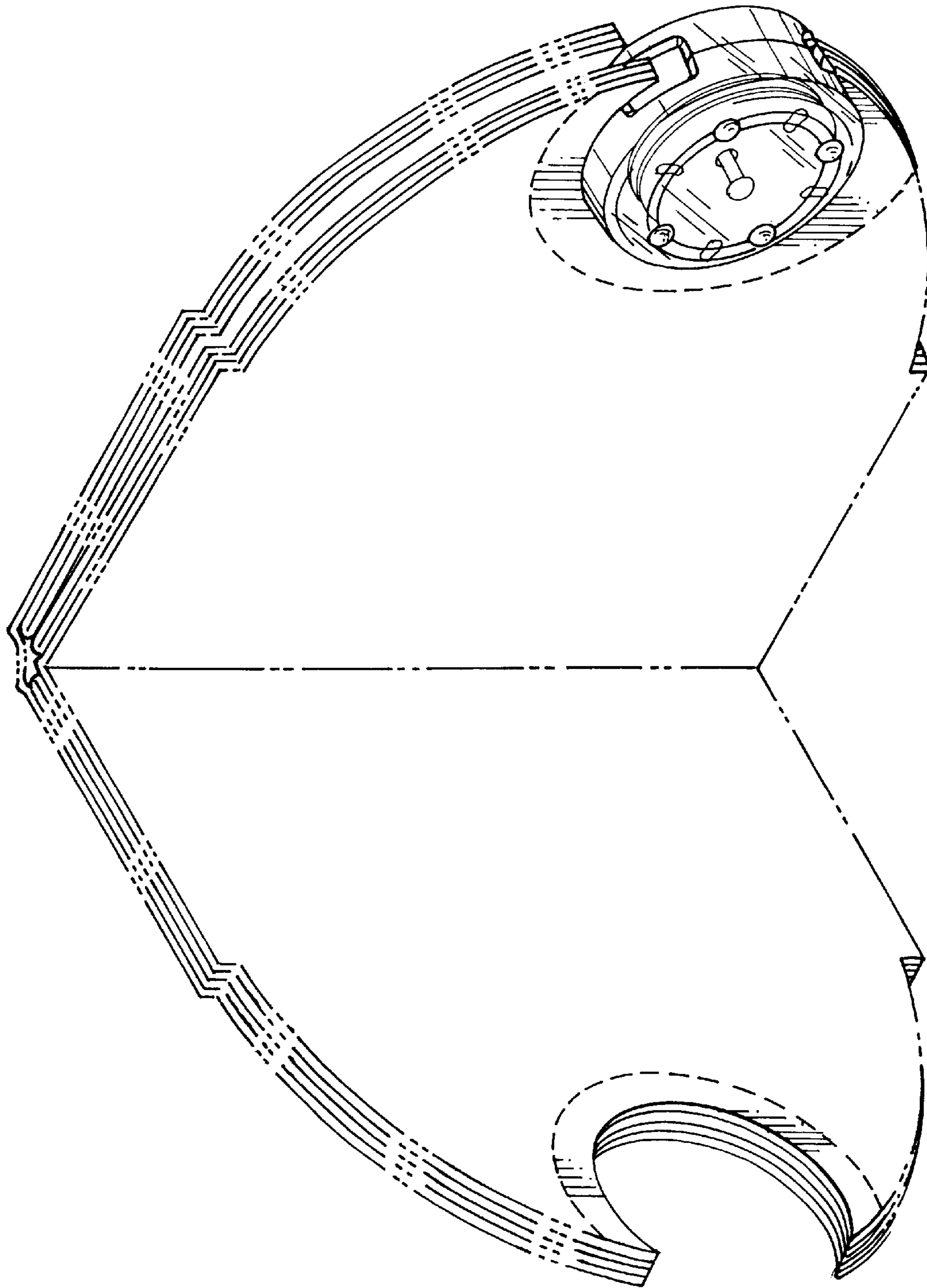


FIG. 7