



US00D451130B1

(12) **United States Design Patent**
Clark, III et al.

(10) **Patent No.:** **US D451,130 S**

(45) **Date of Patent:** **** Nov. 27, 2001**

(54) **DESKTOP PRINTER WITH TWO PAPER TRAYS**

(75) Inventors: **William Theodore Clark, III**,
Pittsford; **David Quijano**, Victor;
Donald A. Brown, Honeoye Falls;
James D. Gresko, Rochester, all of NY
(US)

(73) Assignee: **Xerox Corporation**, Stamford, CT
(US)

(**) Term: **14 Years**

(21) Appl. No.: **29/130,505**

(22) Filed: **Oct. 3, 2000**

(51) **LOC (7) Cl.** **14-02**

(52) **U.S. Cl.** **D18/55**

(58) **Field of Search** D18/36-39, 50,
D18/54-55; D14/462-470; 450/613, 613.1-613.4,
691-694, 690.1-690.4

(56) **References Cited**

U.S. PATENT DOCUMENTS

D. 373,380 * 9/1996 Dwyer et al. D18/55

D. 414,799 * 10/1999 Cook et al. D18/55
D. 425,552 * 5/2000 Kobayashi et al. D18/54
D. 427,235 * 6/2000 Kaseno et al. D18/54
D. 428,052 * 7/2000 Dwyer et al. D18/55
D. 438,894 * 3/2001 Bishop et al. D18/55
D. 441,394 * 5/2001 Kobayashi et al. D18/54

* cited by examiner

Primary Examiner—Cathy Anne MacCormac

(57) **CLAIM**

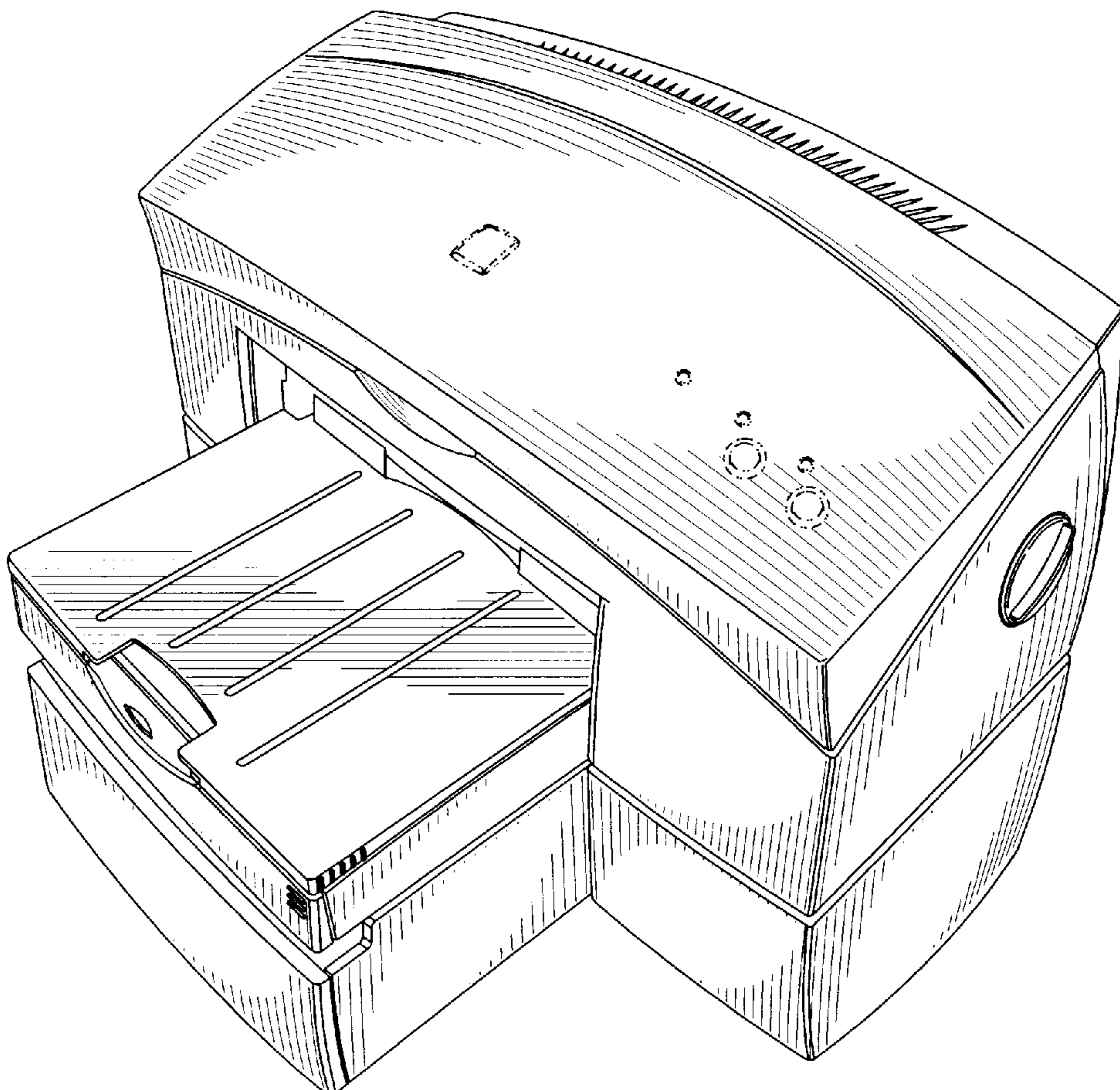
The ornamental design for a desktop printer with two paper trays, as shown.

DESCRIPTION

FIG. 1 is an overhead perspective view of our design;
FIG. 2 is a front view thereof;
FIG. 3 is a left side view thereof;
FIG. 4 is a rear view thereof;
FIG. 5 is a right side view thereof; and,
FIG. 6 is a top view thereof.

The broken lines in FIGS. 1, 2, 4, 5 and 6 are for purposes of illustration only and form no part of the claimed design.

1 Claim, 6 Drawing Sheets



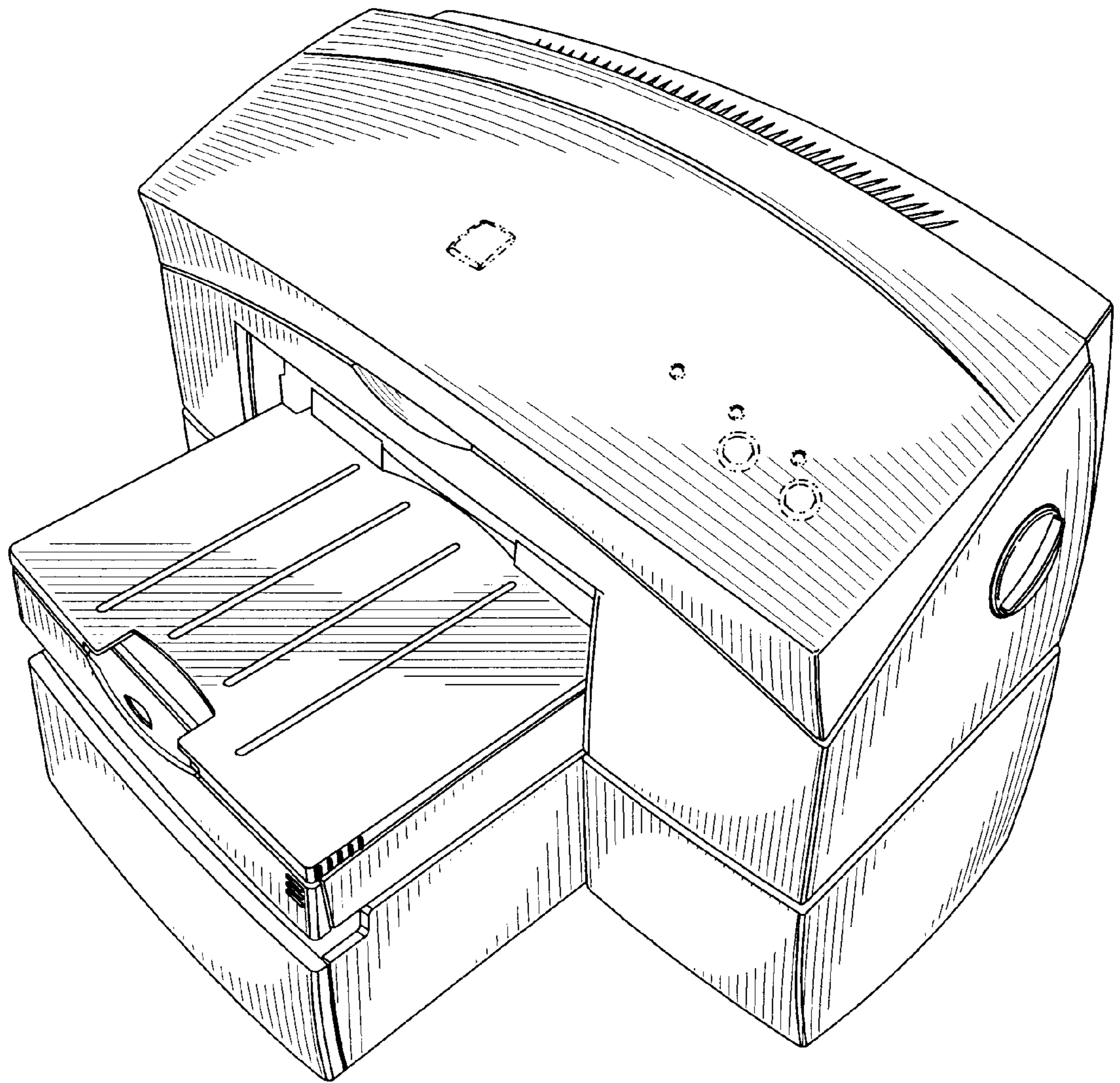


FIG. 1

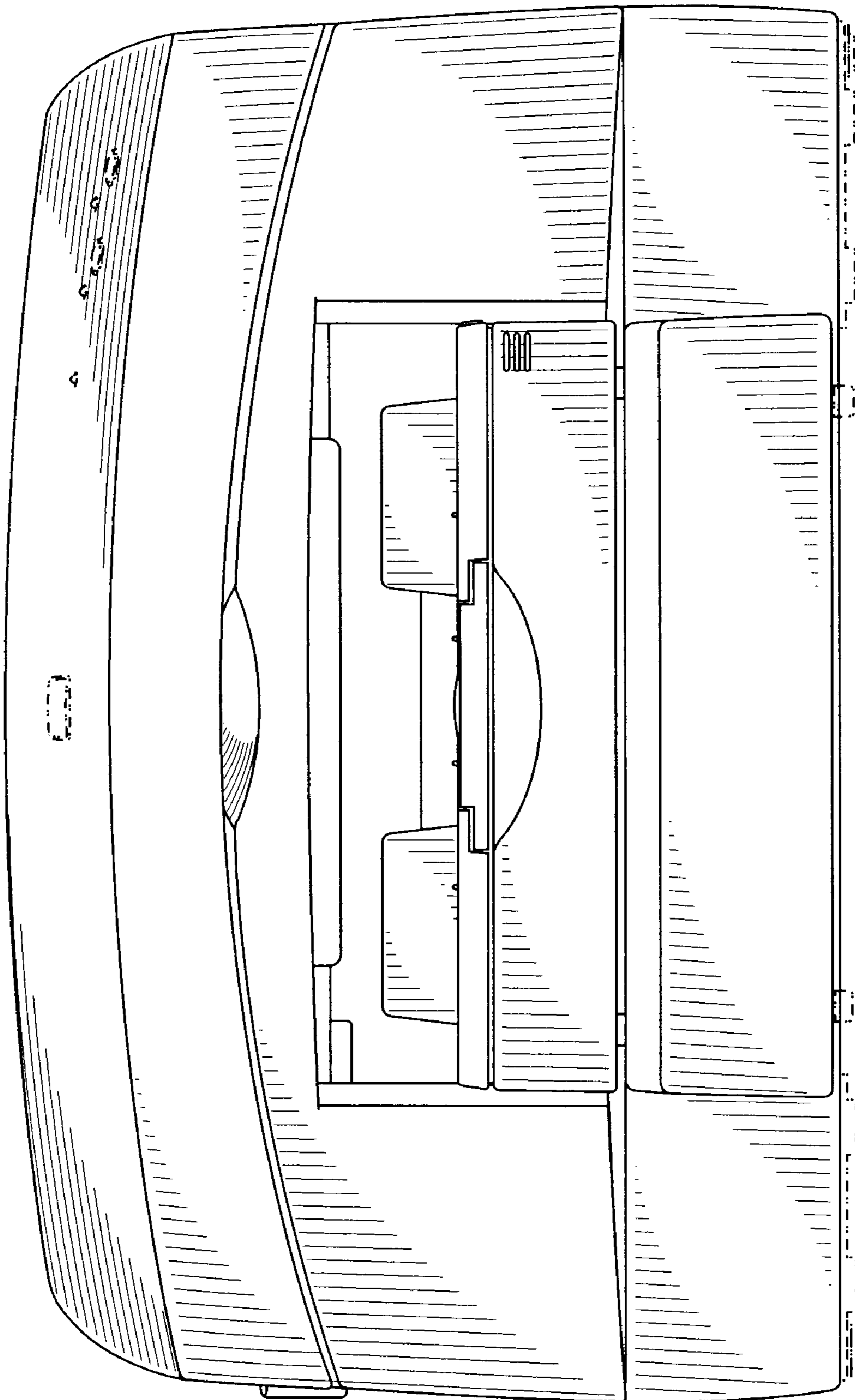


FIG. 2

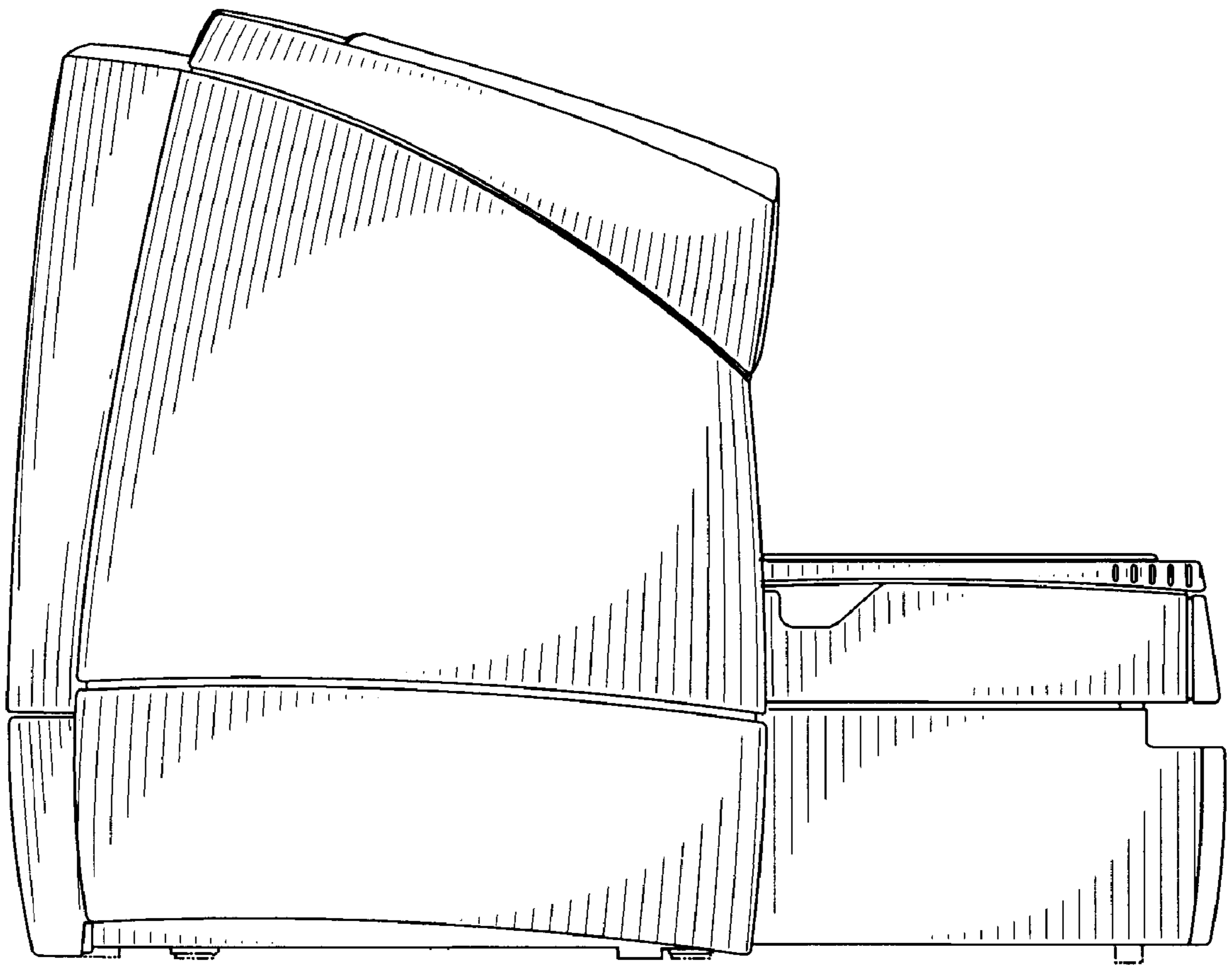


FIG. 3

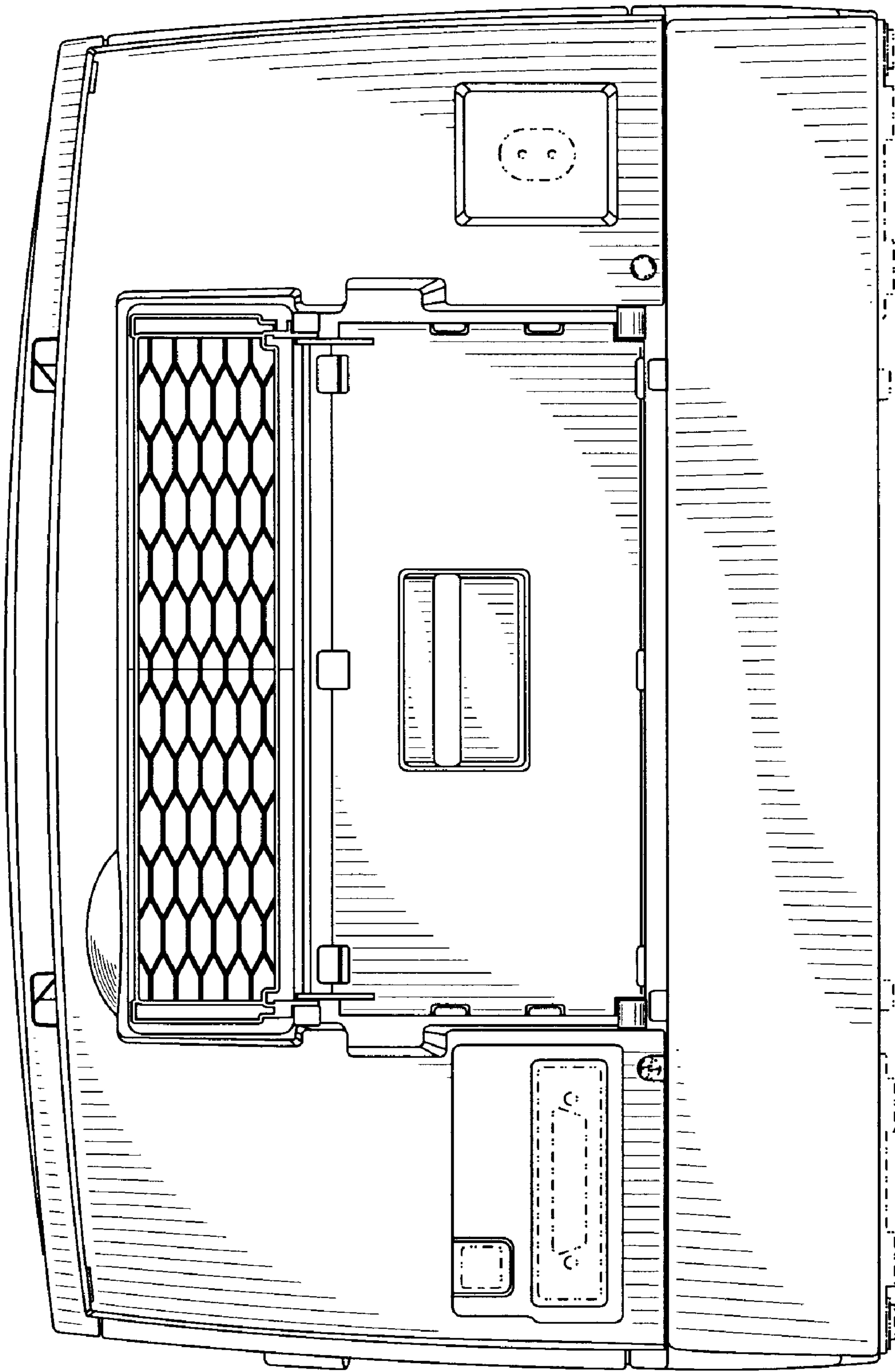


FIG. 4

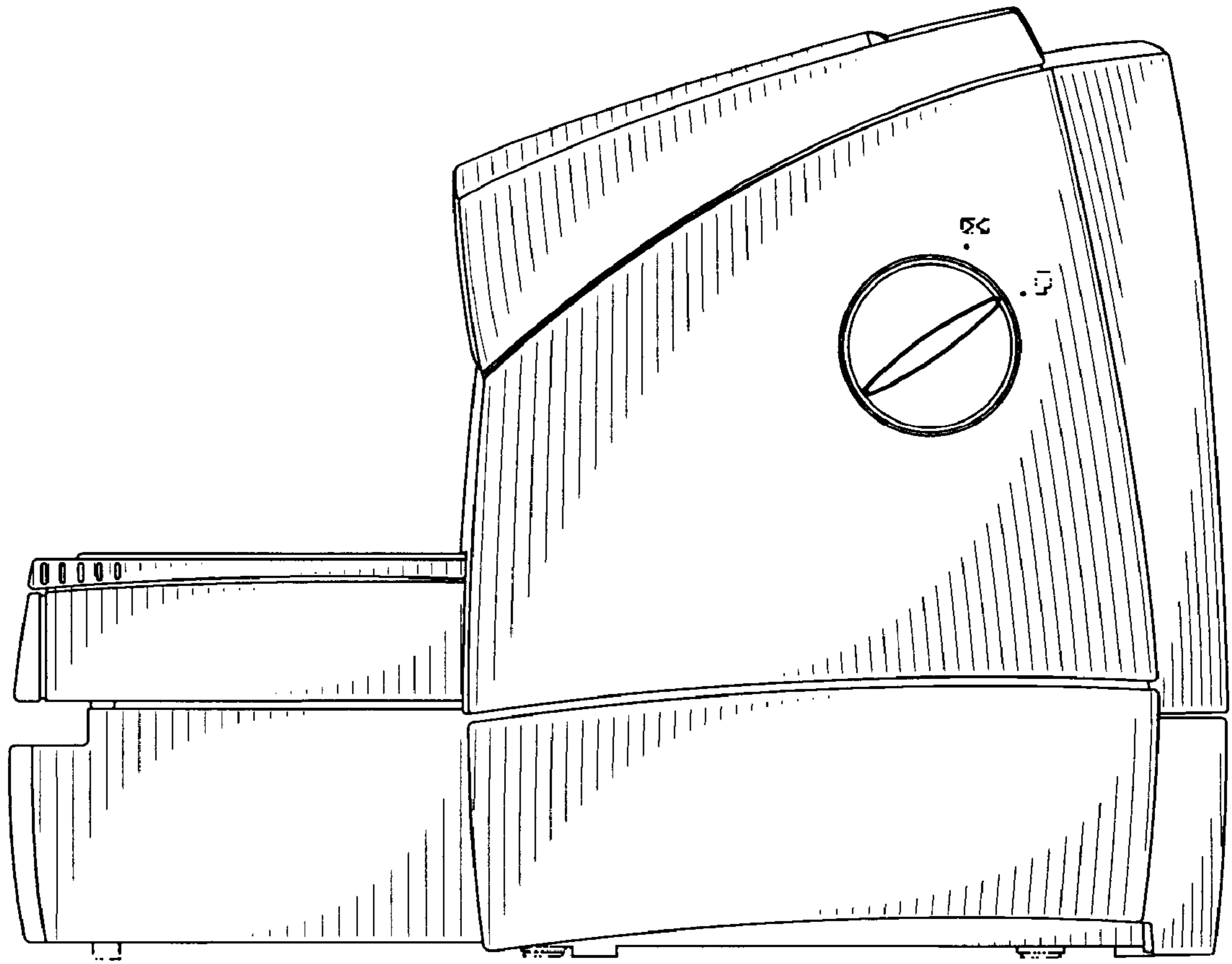


FIG. 5

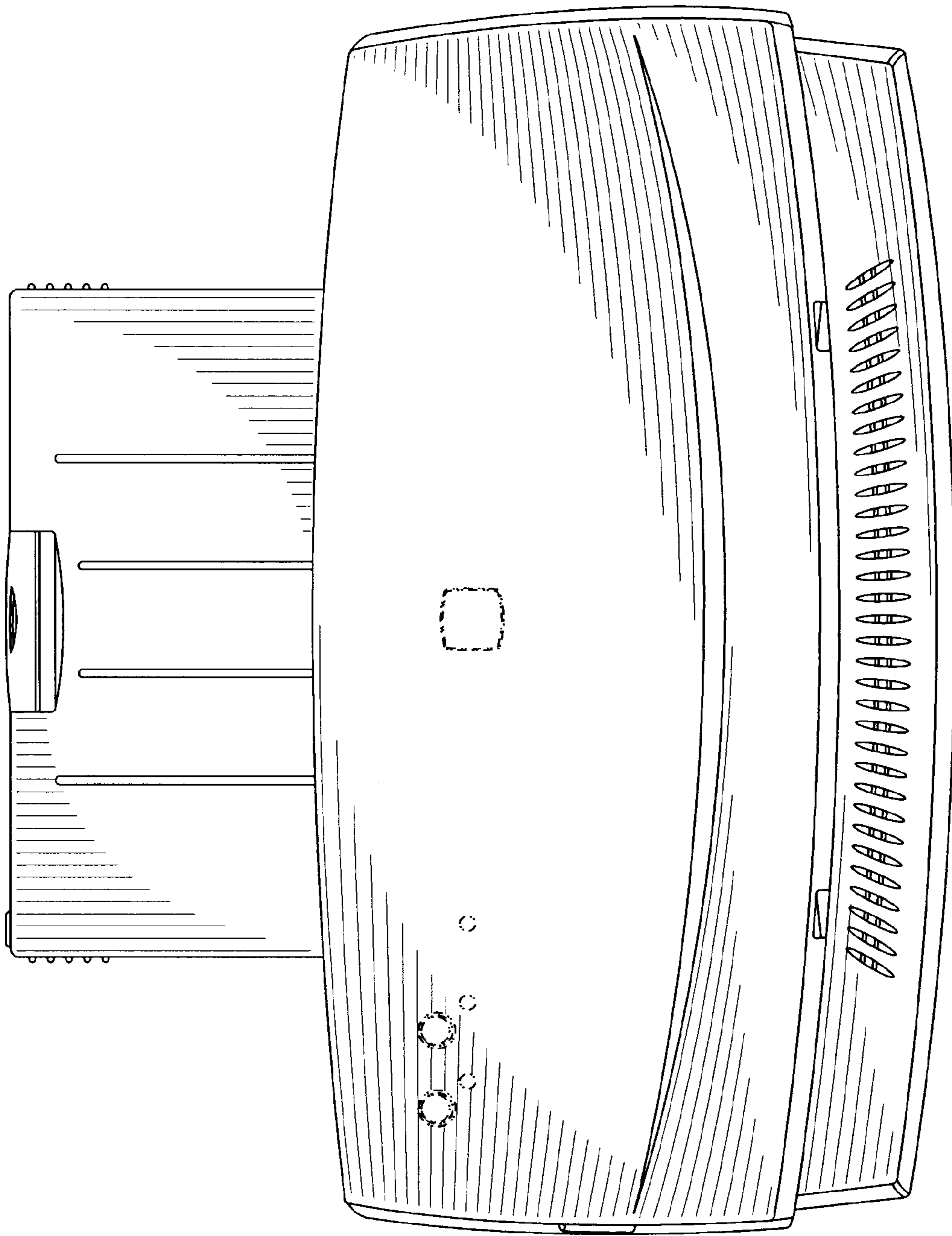


FIG. 6