



US00D451128B1

(12) **United States Design Patent**  
**Ortiz et al.**

(10) **Patent No.:** **US D451,128 S**

(45) **Date of Patent:** **\*\* Nov. 27, 2001**

(54) **SHEET OUTPUT DEVICE**

D. 396,879 \* 8/1998 Senshiki et al. .... D18/48

D. 421,044 \* 2/2000 Komatsu ..... D18/47

D. 423,041 \* 4/2000 Takeuchi ..... D18/46

(75) Inventors: **Carlos Garnier Ortiz; Claudia Santillan Figueroa**, both of Jalisco (MX); **Kevin Lloyd Falk**, Boise; **Angelo M. LaBarbera**, Eagle, both of ID (US)

\* cited by examiner

*Primary Examiner*—Caron D. Veynar

(73) Assignee: **Hewlett-Packard Company**, Palo Alto, CA (US)

(57) **CLAIM**

The ornamental design for a sheet output device, as shown.

(\*\*) Term: **14 Years**

**DESCRIPTION**

(21) Appl. No.: **29/142,794**

FIG. 1 is a right side perspective view of a sheet output device showing our new design.

(22) Filed: **Jun. 1, 2001**

FIG. 2 is a left side perspective view thereof.

(51) **LOC (7) Cl.** ..... **18-99**

FIG. 3 is a front elevational view thereof.

(52) **U.S. Cl.** ..... **D18/47**

FIG. 4 is a right elevational view thereof.

(58) **Field of Search** ..... D18/46-49; 271/3.14, 271/8.1; 399/16, 361, 365, 369, 393, 403, 408, 410

FIG. 5 is a left elevational view thereof.

FIG. 6 is a rear elevational view thereof.

FIG. 7 is a top plan view thereof; and,

FIG. 8 is a bottom plan view thereof.

(56) **References Cited**

**U.S. PATENT DOCUMENTS**

D. 320,809 \* 10/1991 Hiroki ..... D18/48

**1 Claim, 5 Drawing Sheets**

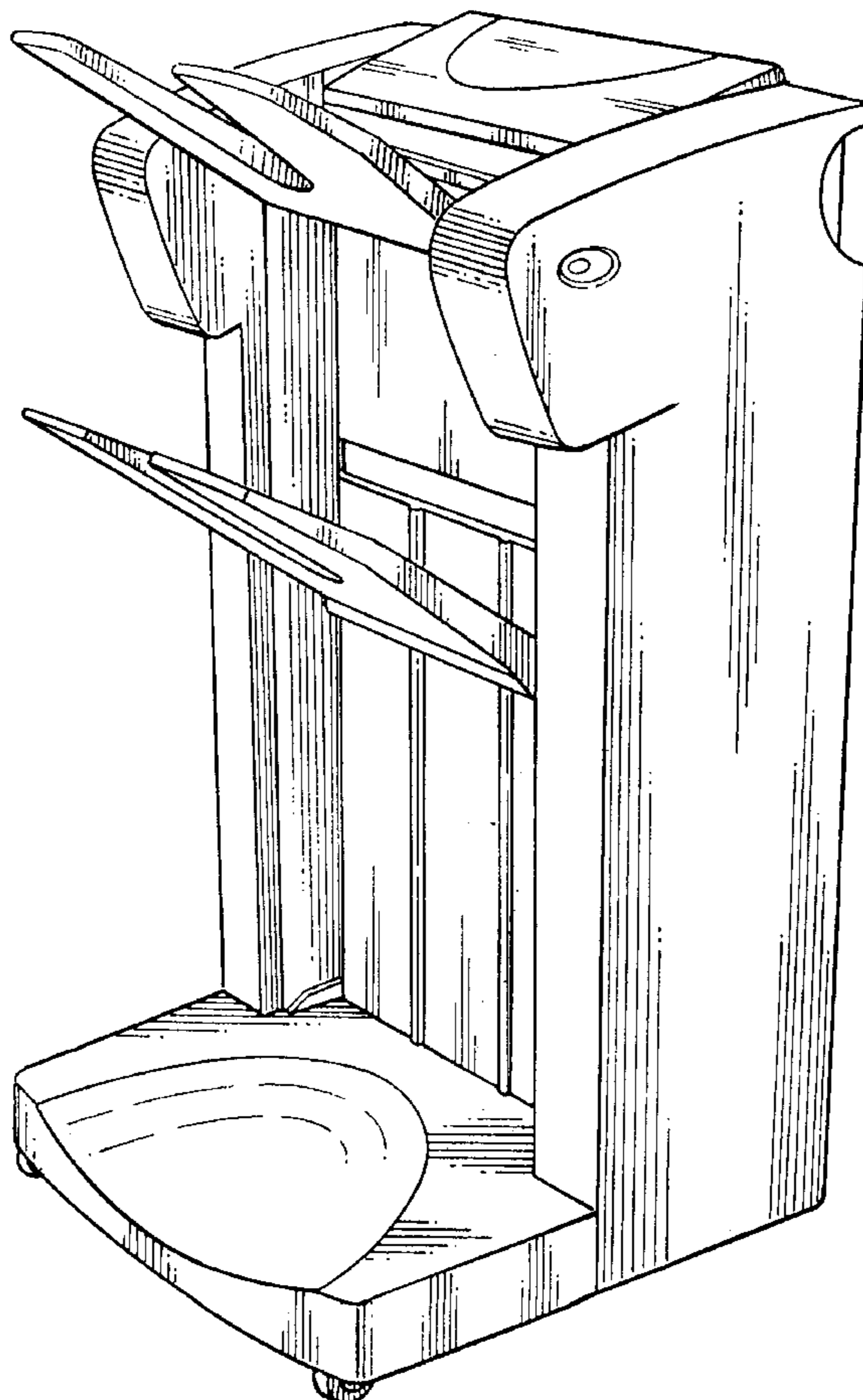


Fig. 1

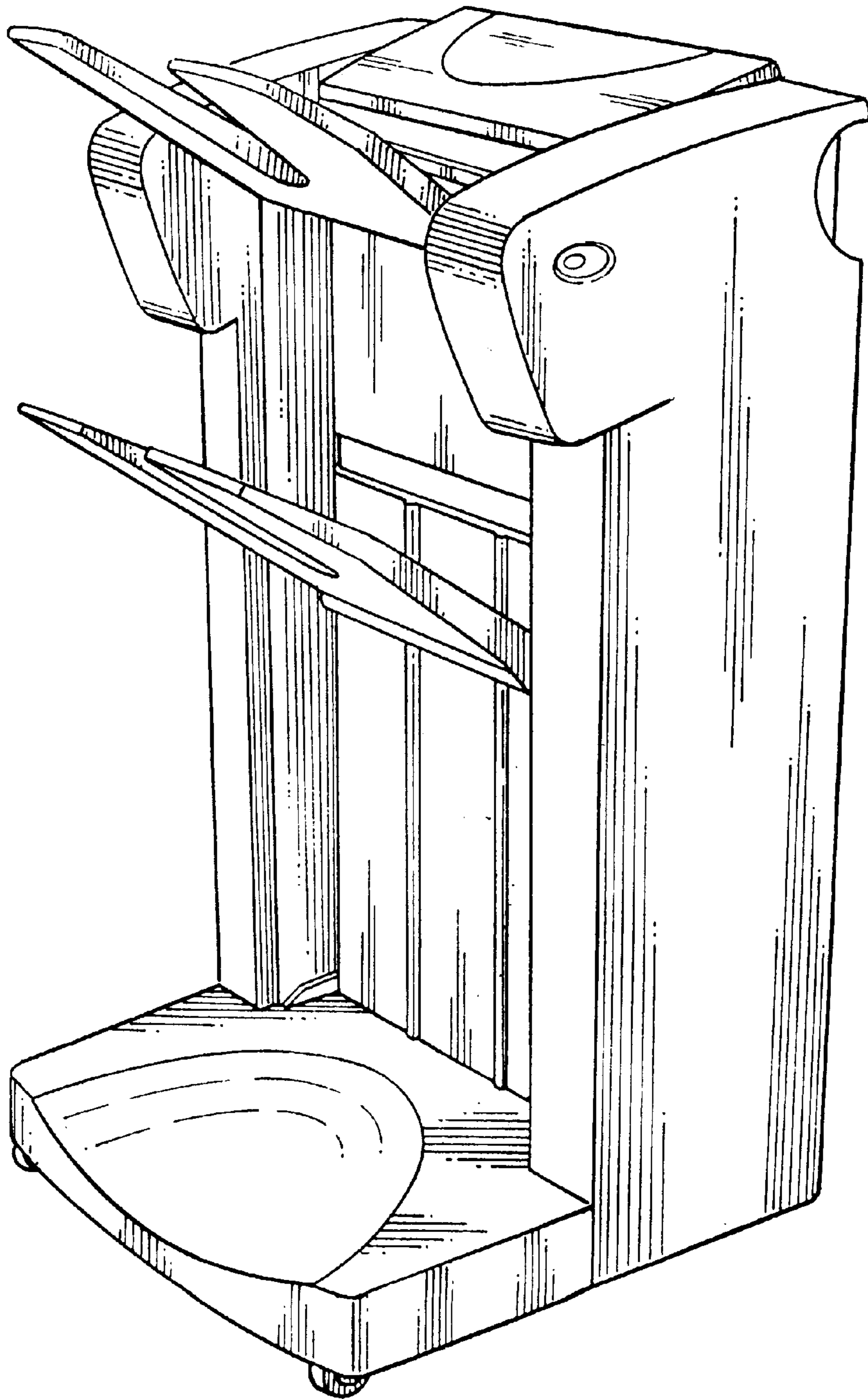


Fig. 2

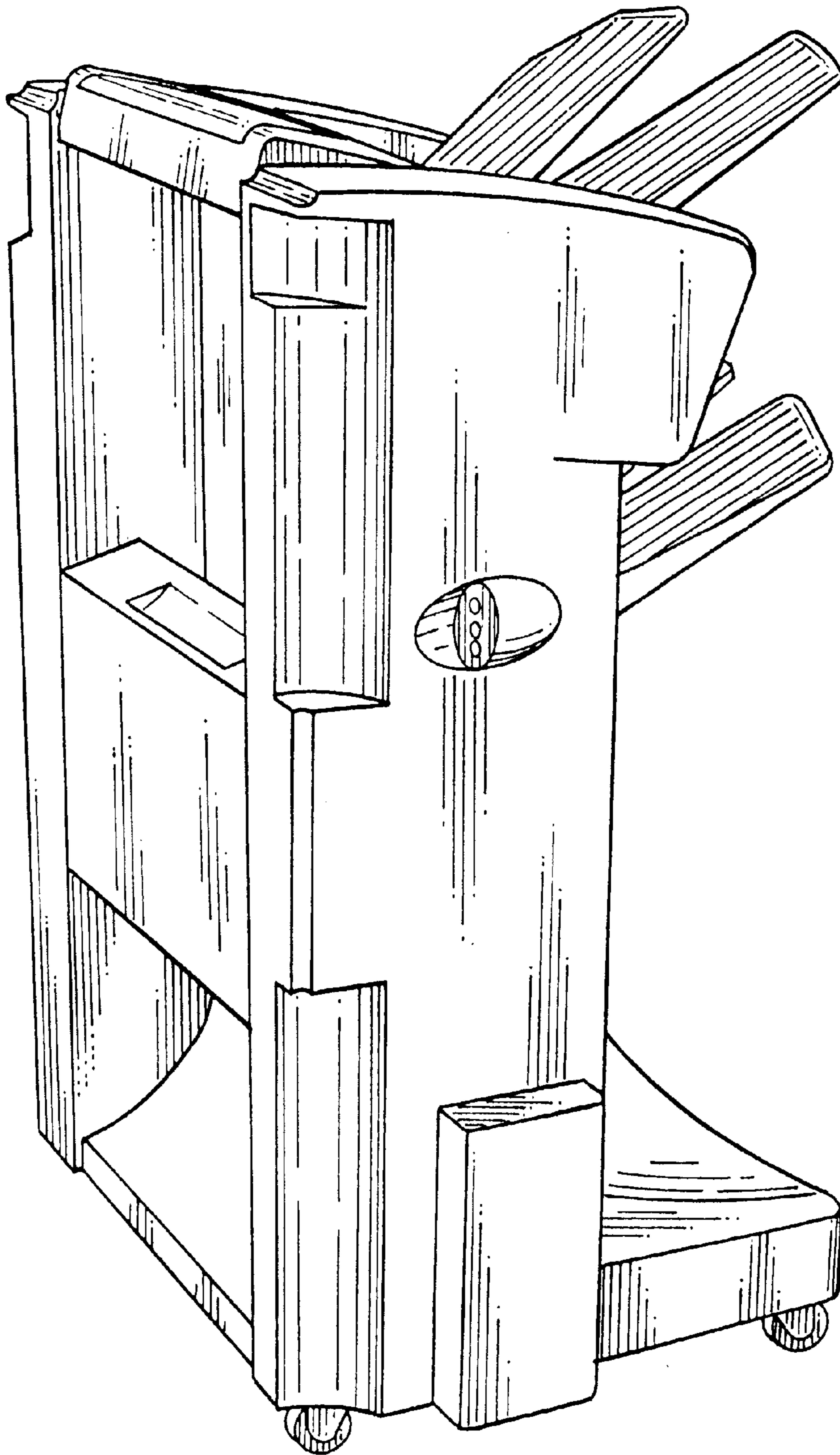


Fig. 4

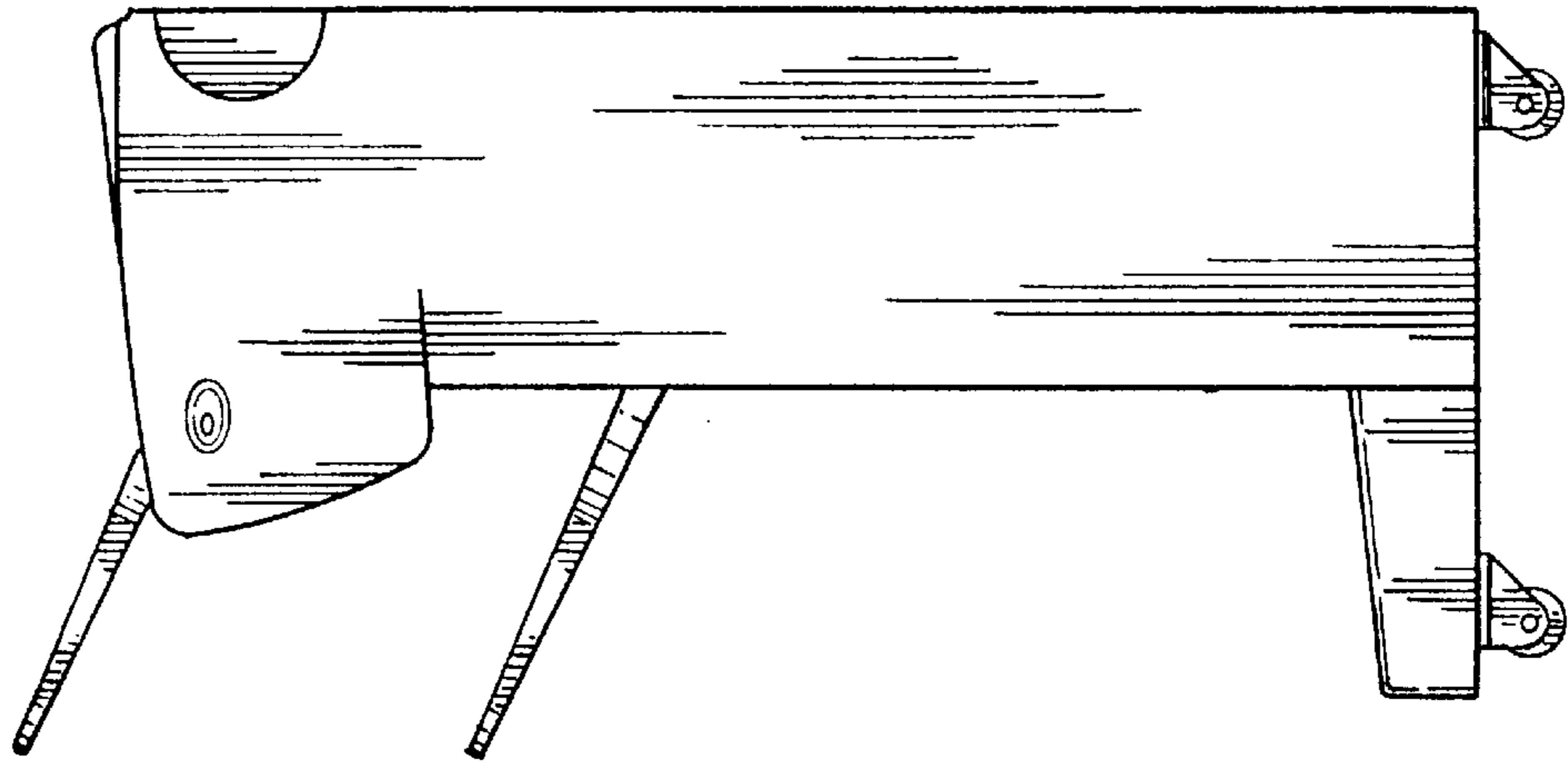


Fig. 3

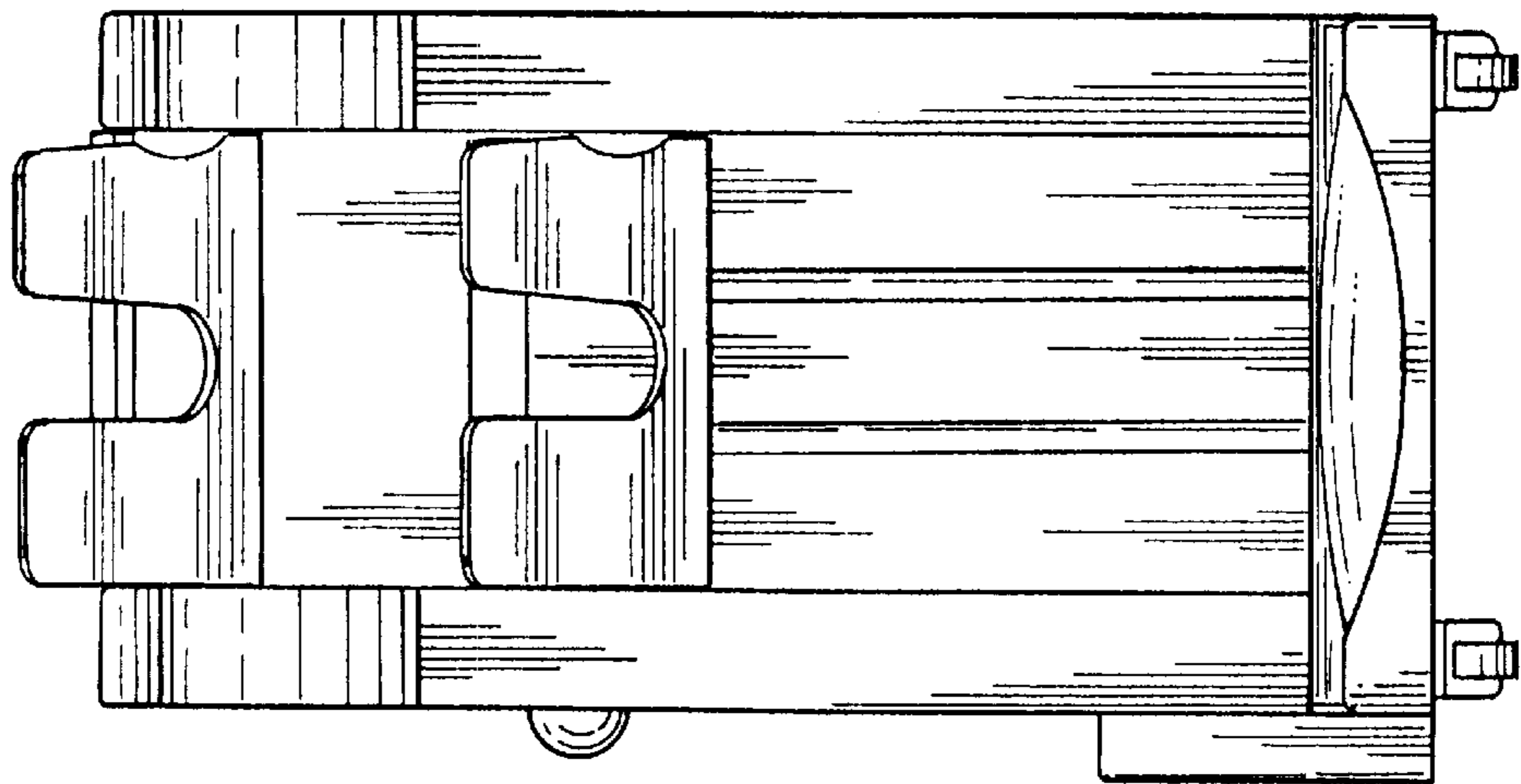


Fig. 6

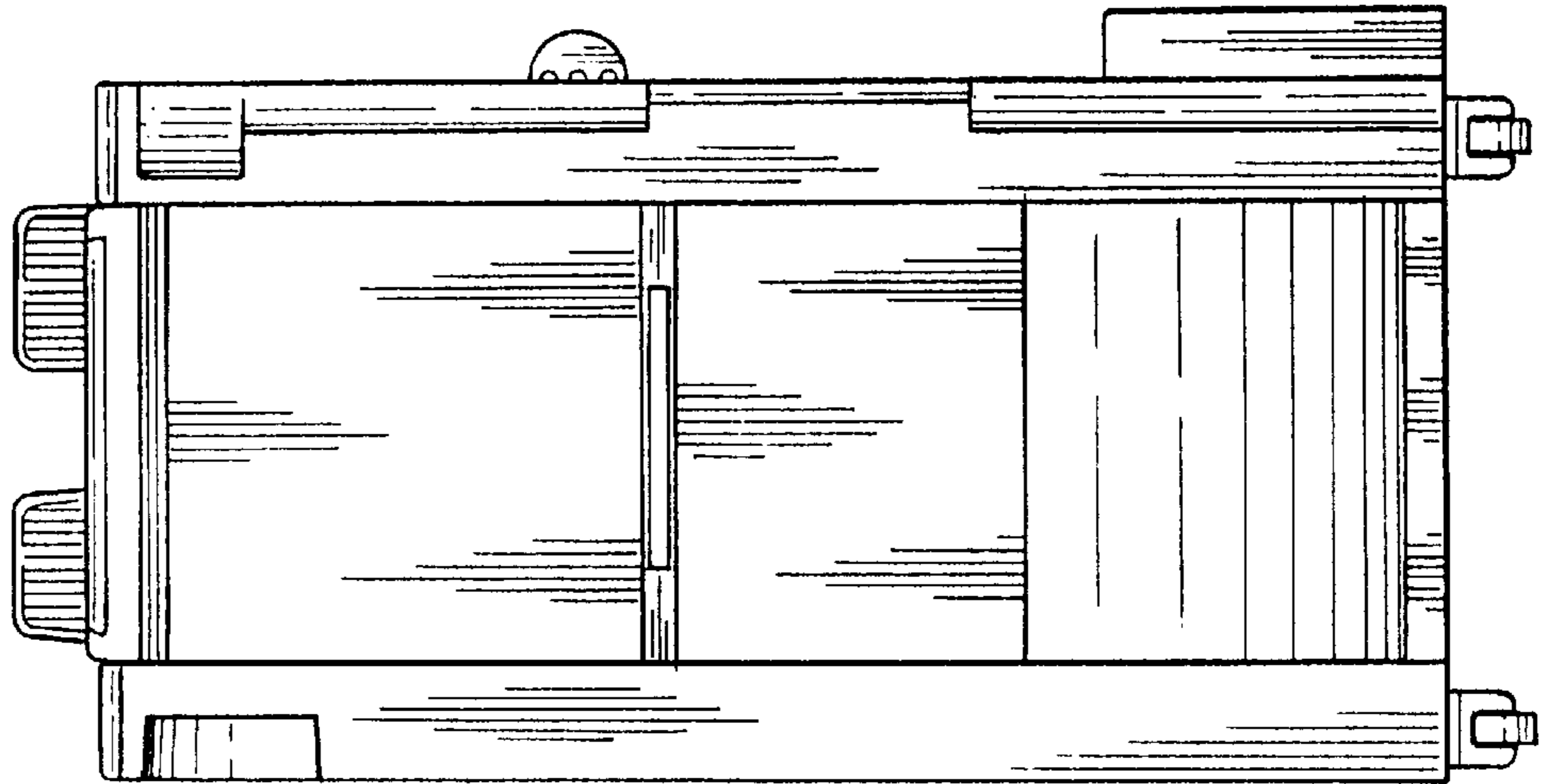
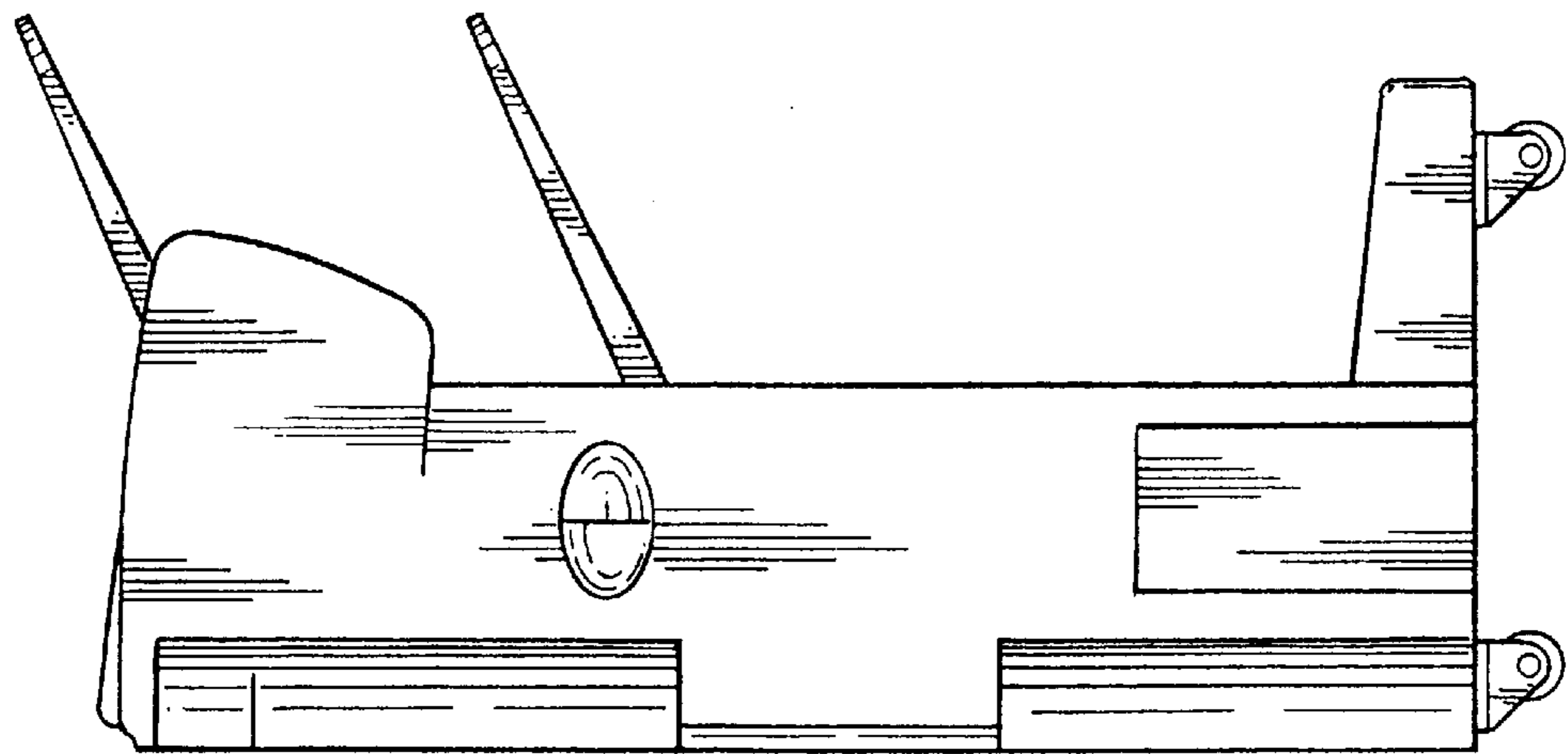


Fig. 5





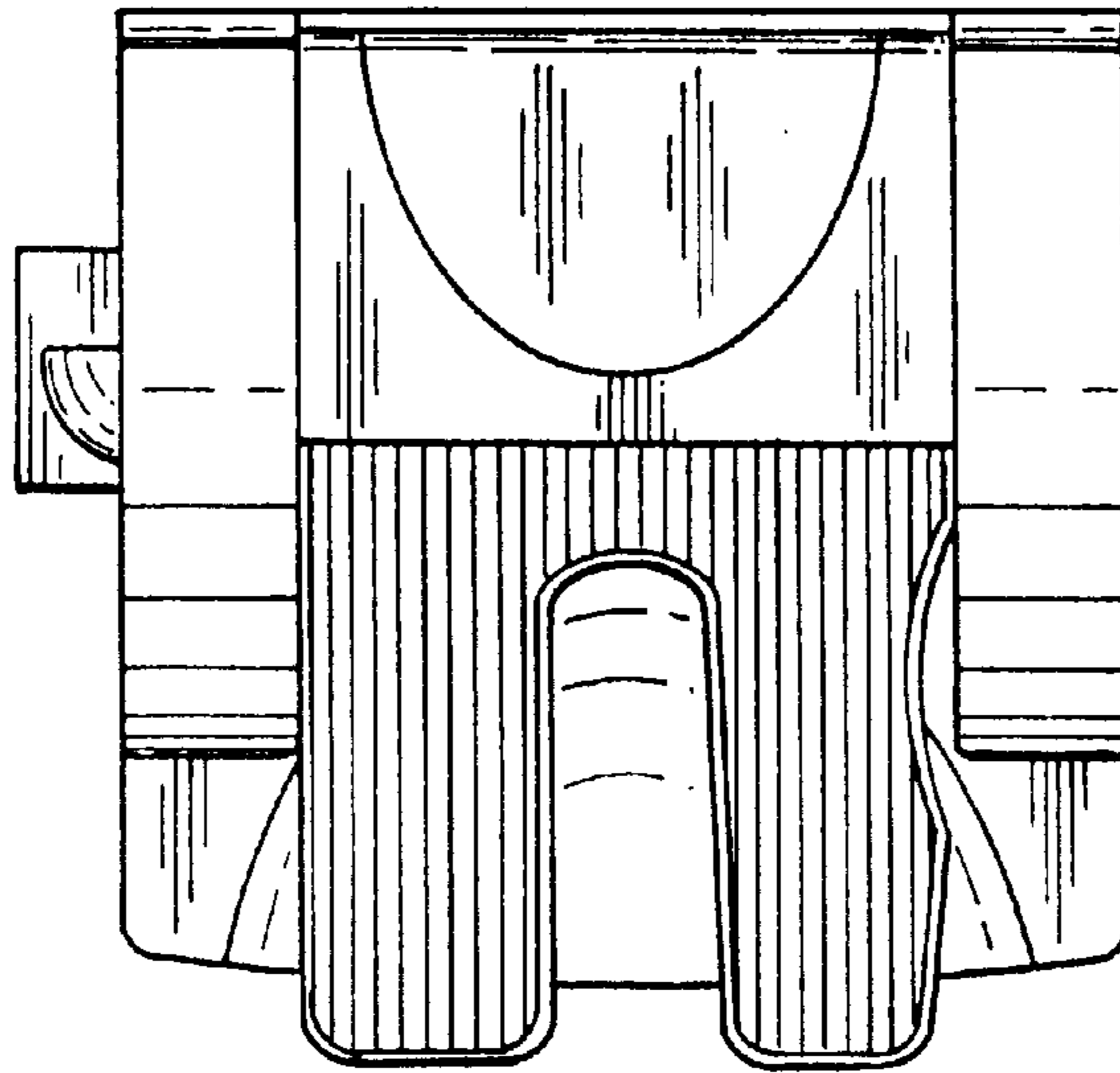


Fig. 7

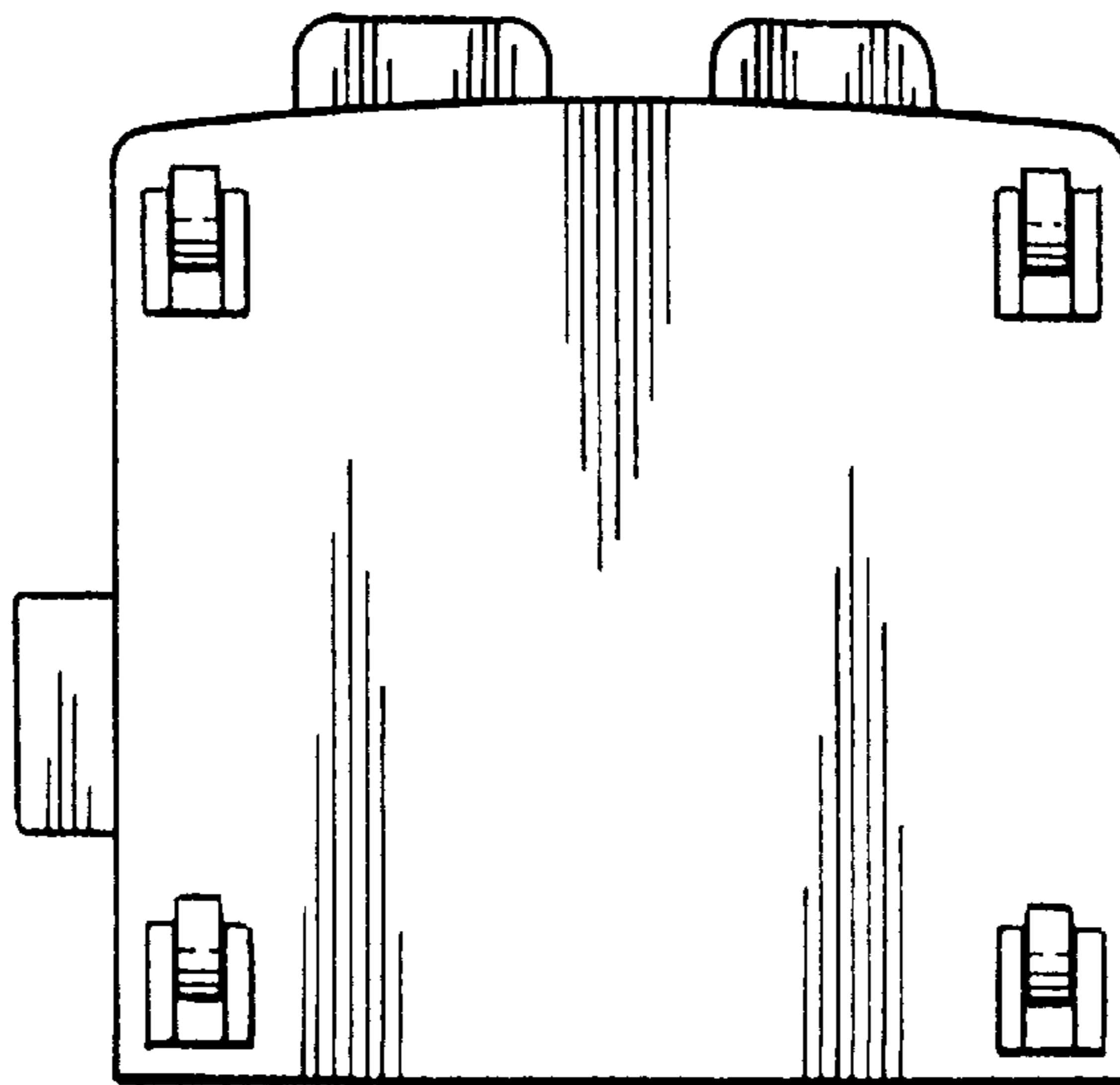


Fig. 8