



US00D451127B1

(12) **United States Design Patent**  
**Katou et al.**

(10) **Patent No.:** **US D451,127 S**

(45) **Date of Patent:** **\*\* Nov. 27, 2001**

(54) **TONER CARTRIDGE**

D. 394,083 \* 5/1998 Jyoroku ..... D18/43

(75) Inventors: **Keiji Katou**, Nara-ken; **Hiroshi Kubota**, Osaka-fu; **Yoshinori Otsuka**; **Yoshiki Ichikawa**, both of Nara-ken; **Hiroshige Araki**; **Fumito Mizoguchi**, both of Nara-ken, all of (JP)

\* cited by examiner

*Primary Examiner*—Caron D. Veynar  
(74) *Attorney, Agent, or Firm*—Nixon & Vanderhye

(73) Assignee: **Sharp Kabushiki Kaisha**, Osaka (JP)

(57) **CLAIM**

(\*\*) Term: **14 Years**

The ornamental design for a toner cartridge, as shown and described.

(21) Appl. No.: **29/143,339**

**DESCRIPTION**

(22) Filed: **Jun. 13, 2001**

(30) **Foreign Application Priority Data**

Dec. 20, 2000 (JP) ..... 12-036406

(51) **LOC (7) Cl.** ..... **16-03**

(52) **U.S. Cl.** ..... **D18/43**

(58) **Field of Search** ..... D18/40, 43, 56;  
399/24–27, 262

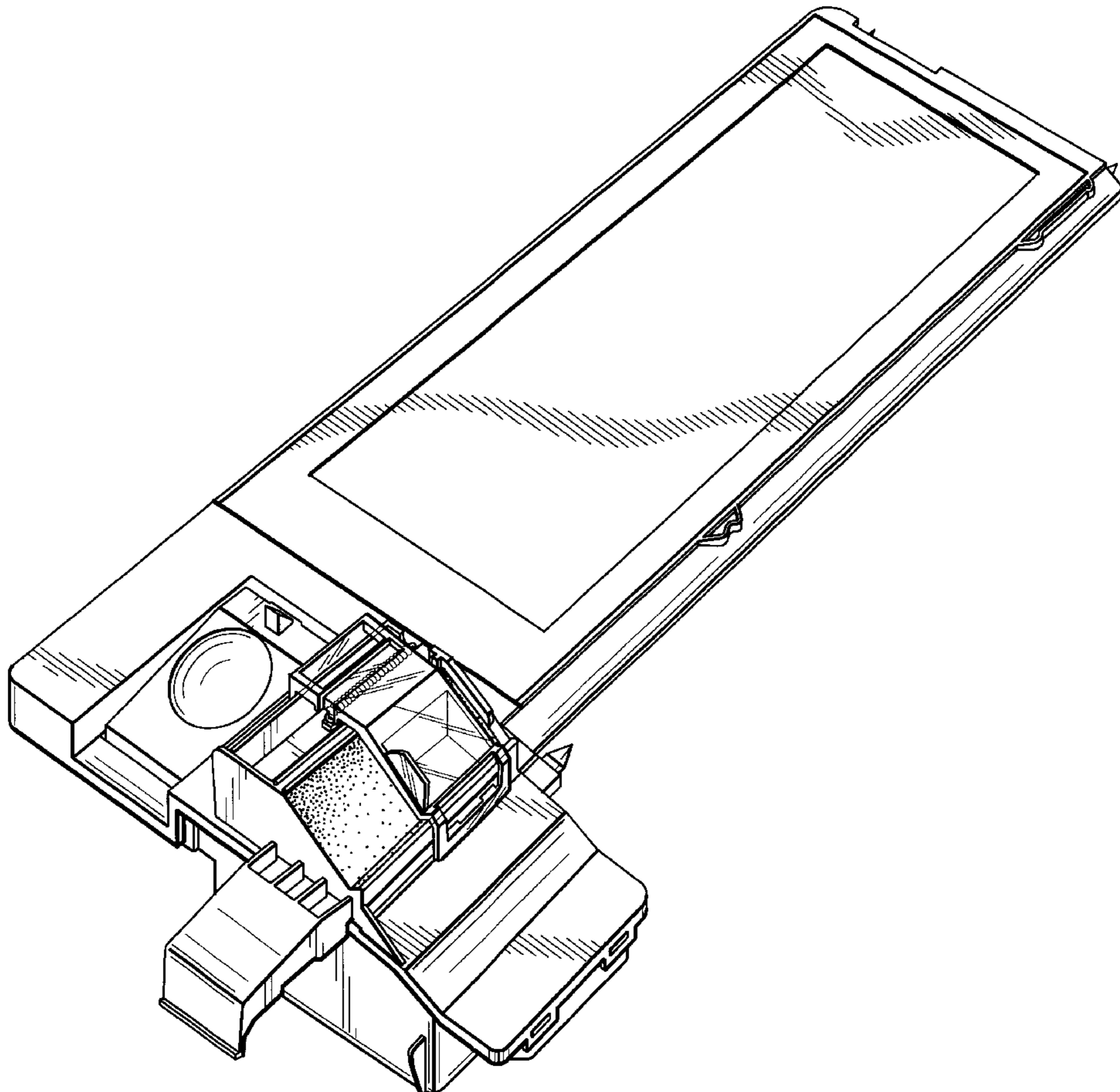
FIG. 1 is a top, left side and front perspective view of a toner cartridge according to our design;  
FIG. 2 is a front elevational view thereof;  
FIG. 3 is a rear elevational view thereof;  
FIG. 4 is a bottom plan view thereof;  
FIG. 5 is a top plan view thereof;  
FIG. 6 is a right side elevational view thereof; and,  
FIG. 7 is a left side elevational view thereof.

(56) **References Cited**

**U.S. PATENT DOCUMENTS**

D. 375,519 \* 11/1996 Tsumuki ..... D18/43

**1 Claim, 6 Drawing Sheets**



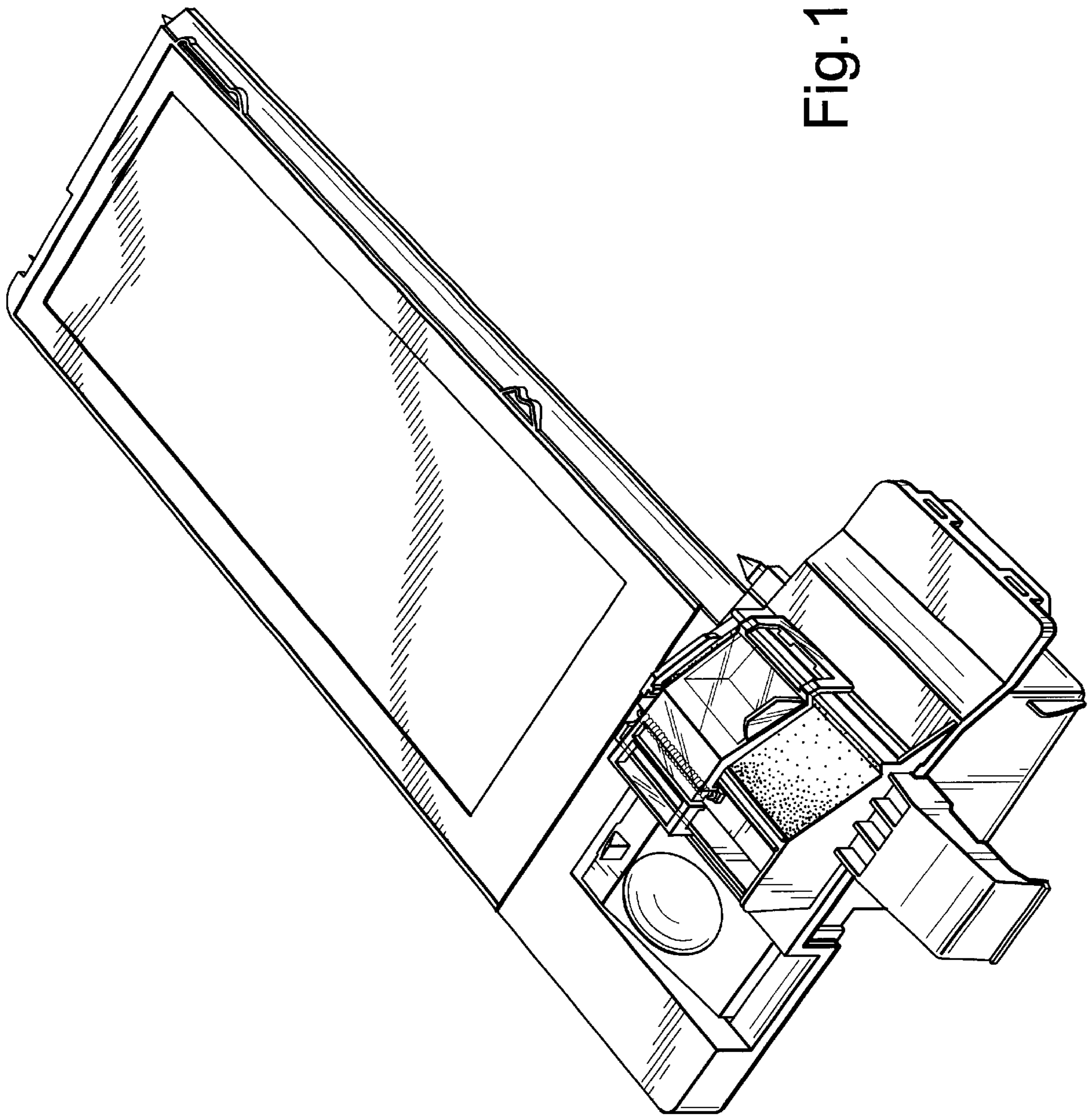


Fig. 1

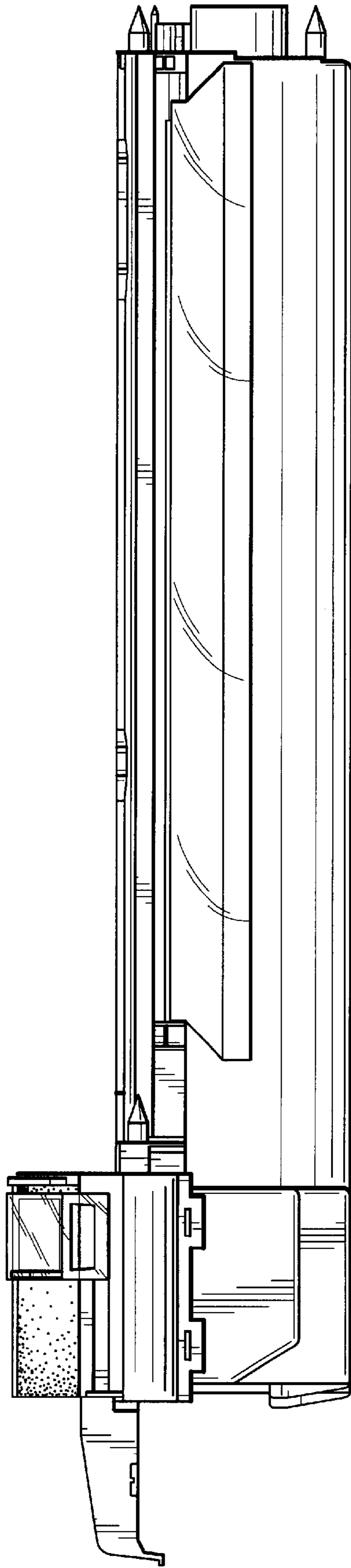


Fig.2

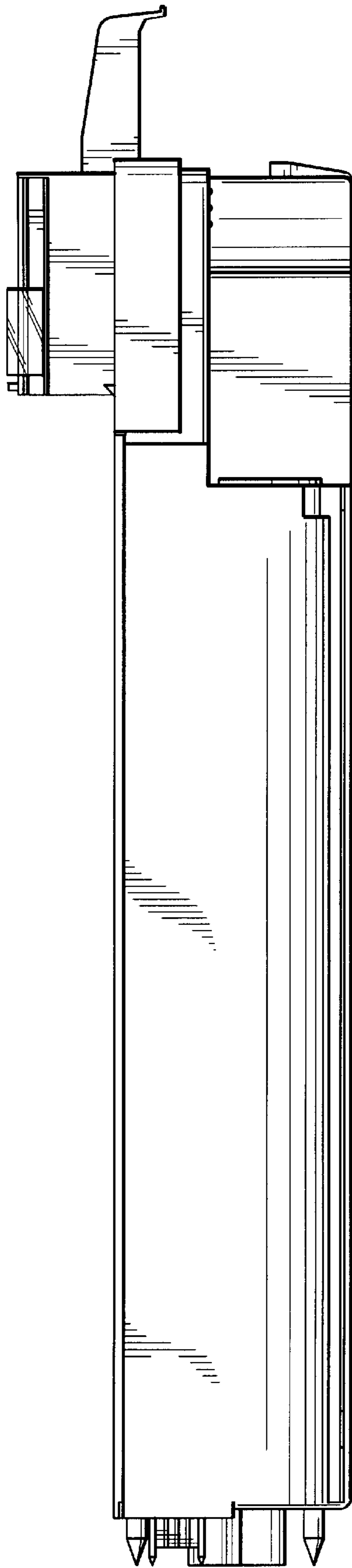


Fig. 3

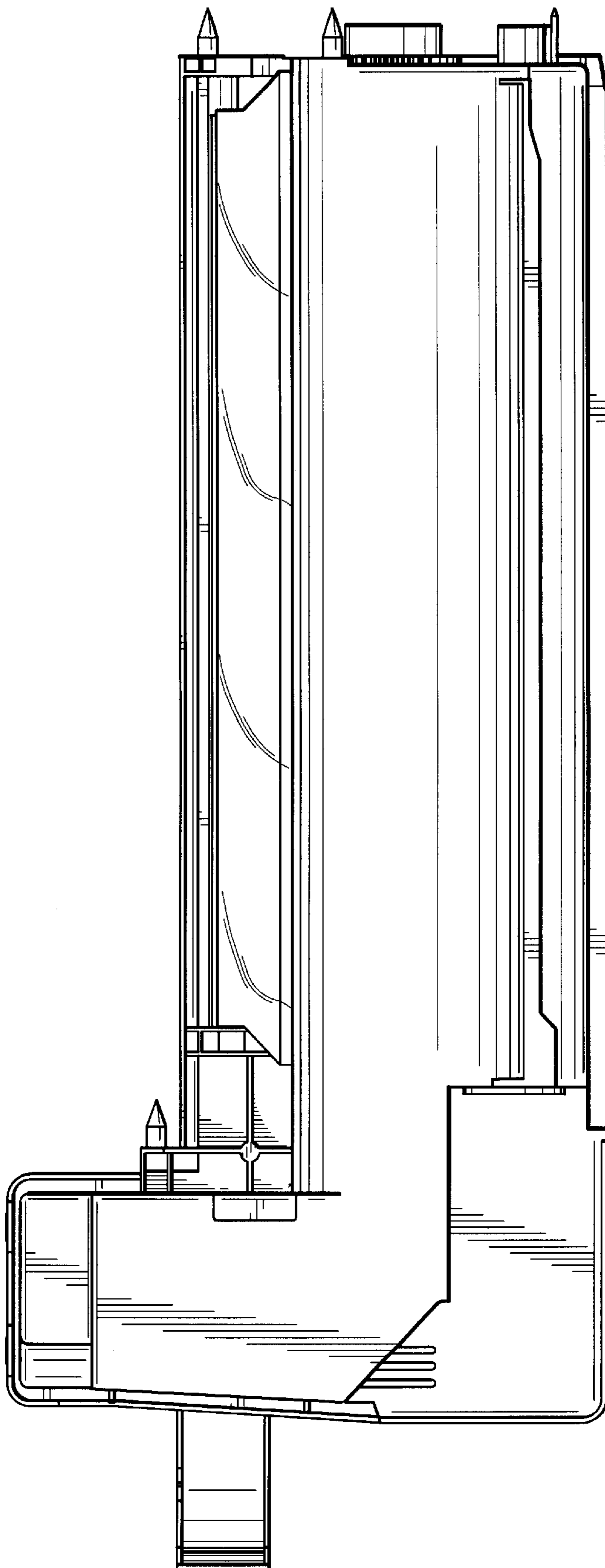


Fig.4

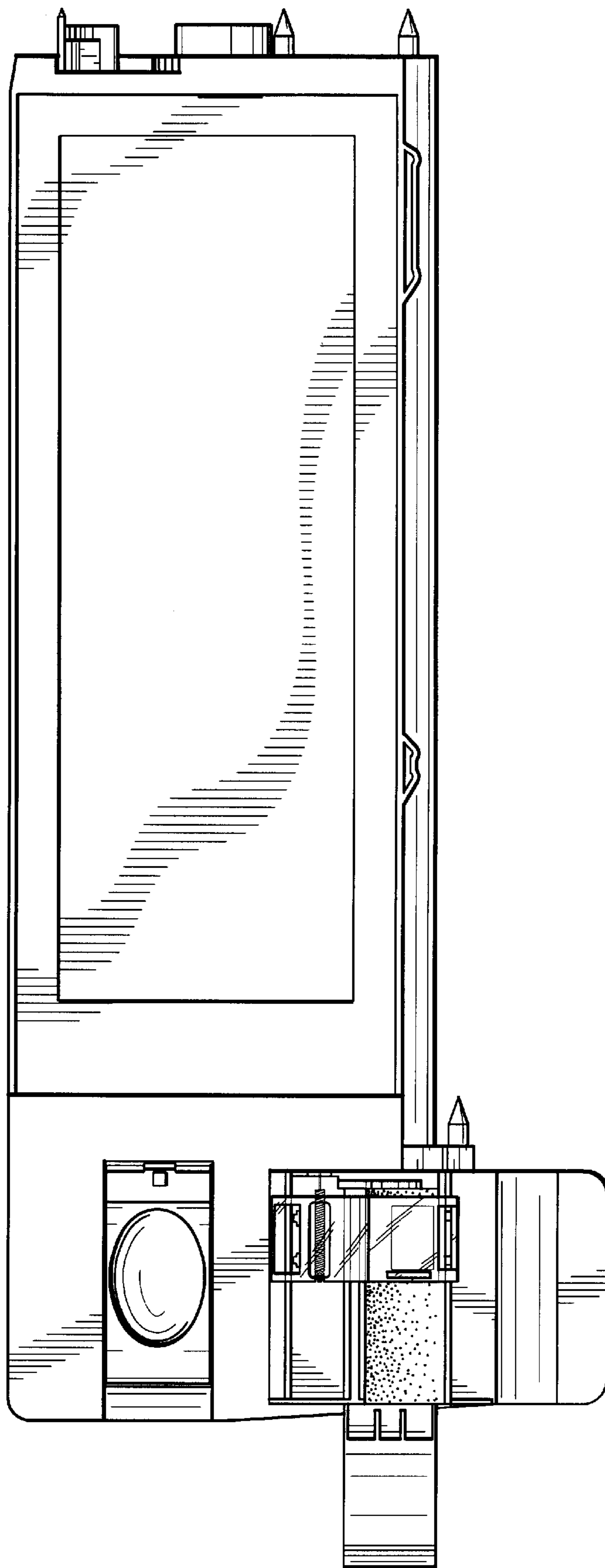


Fig.5

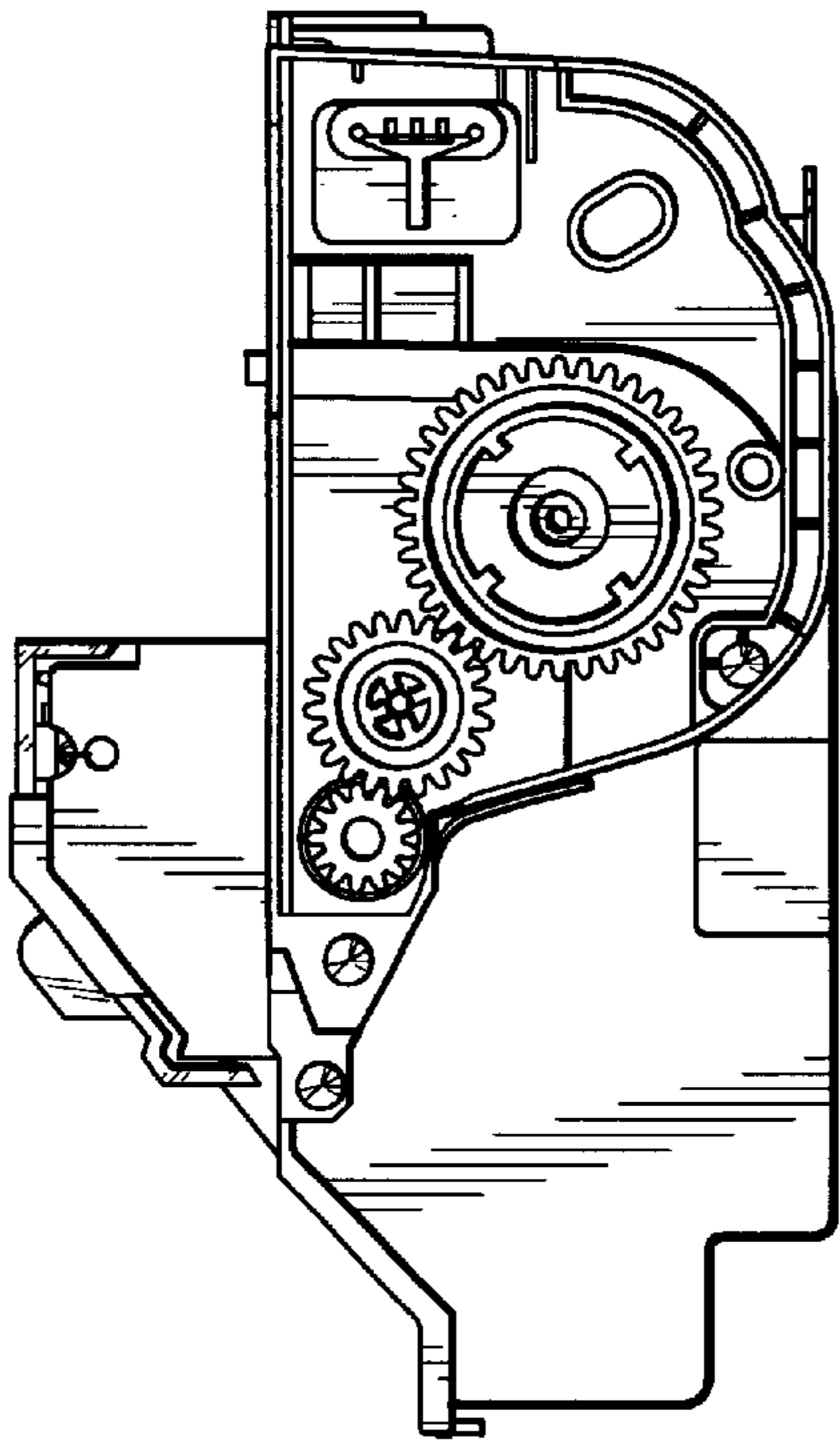


Fig. 6

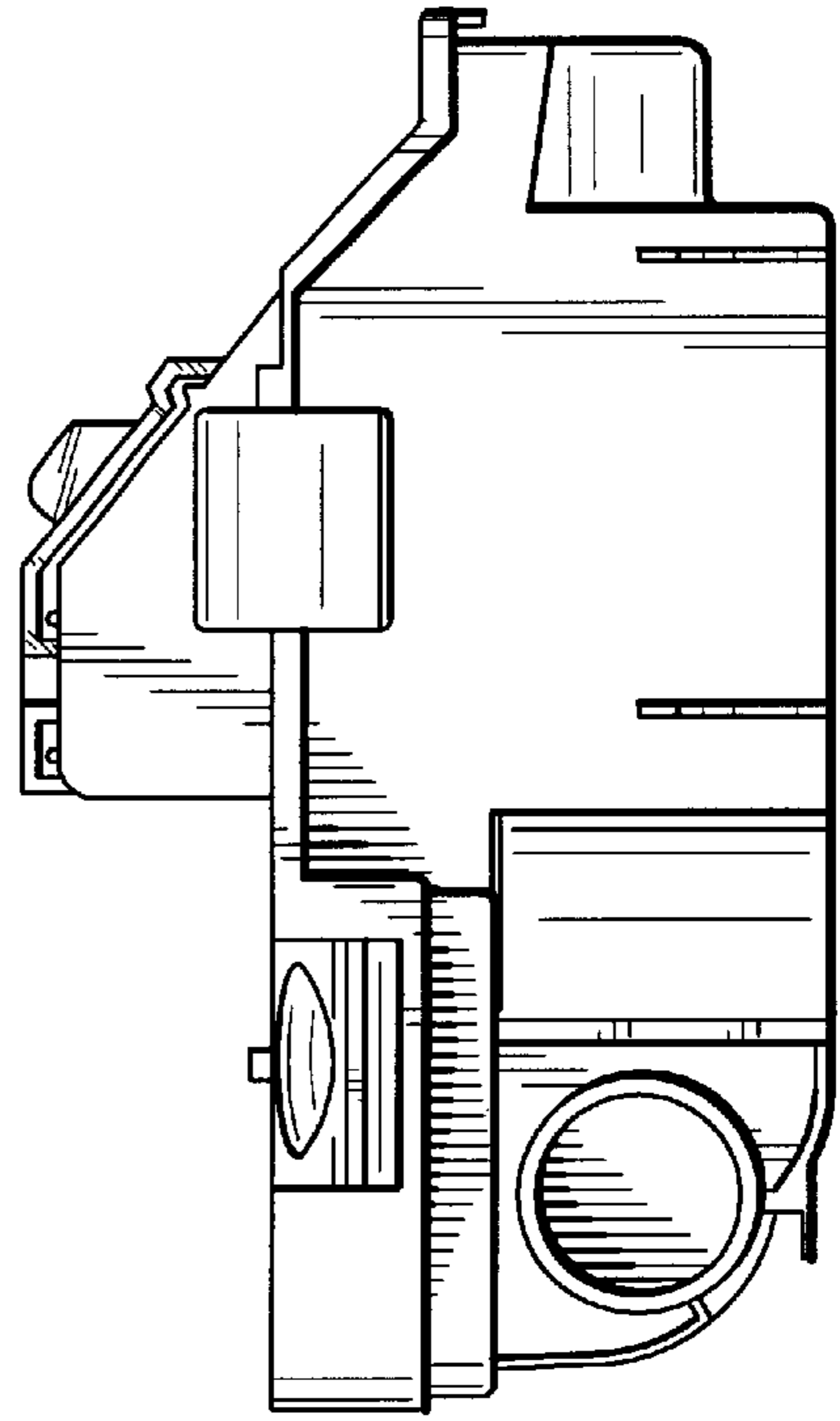


Fig. 7