



US00D451126B1

(12) **United States Design Patent**
Katsuyama

(10) **Patent No.:** **US D451,126 S**

(45) **Date of Patent:** **** Nov. 27, 2001**

(54) **TONER CARTRIDGE**

(75) Inventor: **Goro Katsuyama, Yokohama (JP)**

(73) Assignee: **Ricoh Company, Ltd., Tokyo (JP)**

(**) Term: **14 Years**

(21) Appl. No.: **29/132,015**

(22) Filed: **Nov. 1, 2000**

(30) **Foreign Application Priority Data**

May 2, 2000 (JP) 12-015617

(51) **LOC (7) Cl.** **16-03**

(52) **U.S. Cl.** **D18/43**

(58) **Field of Search** D18/40, 43, 56;
222/DIG. 1; 399/24-27, 37, 119-123, 252,
262

(56) **References Cited**

U.S. PATENT DOCUMENTS

D. 341,157 * 11/1993 Kitahara et al. D18/56

D. 346,819 * 5/1994 Taniguchi et al. D18/43
D. 366,278 * 1/1996 Nagashima D18/43
D. 394,451 * 5/1998 Okada D18/43
D. 413,621 * 9/1999 Ichimaru et al. D18/43

* cited by examiner

Primary Examiner—Caron D. Veynar

(74) *Attorney, Agent, or Firm*—Dickstein Shapiro Morin & Oshinsky LLP

(57) **CLAIM**

The ornamental design for a toner cartridge, as shown and described.

DESCRIPTION

FIG. 1 is a front elevation of a toner cartridge according to the present invention;

FIG. 2 is a top plan view thereof;

FIG. 3 is a bottom plan view thereof;

FIG. 4 is a right side elevation thereof, the left side elevation view is a mirror image thereof; and,

FIG. 5 is a top, front, and right side perspective view thereof.

1 Claim, 2 Drawing Sheets

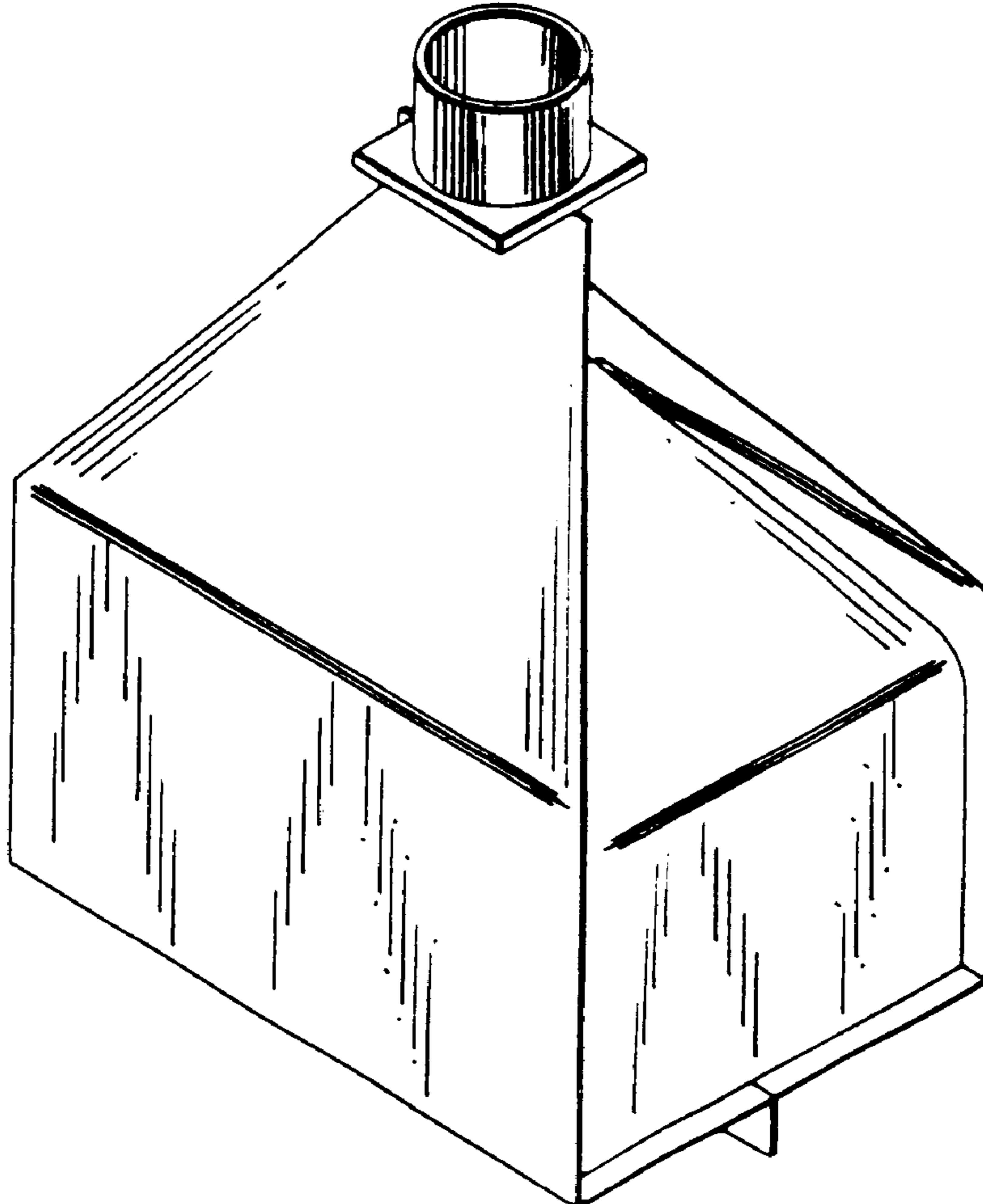


FIG. 1

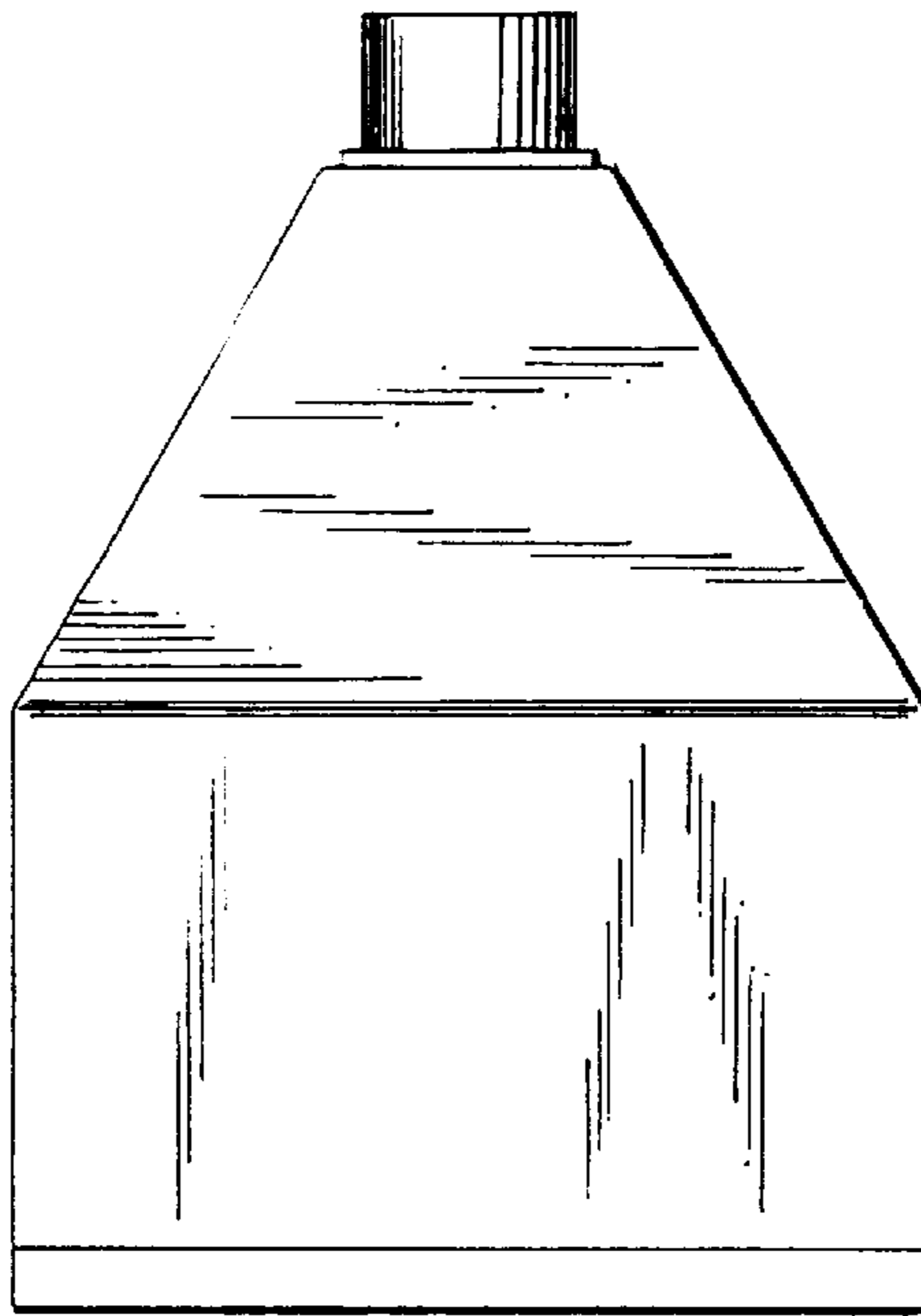


FIG. 2

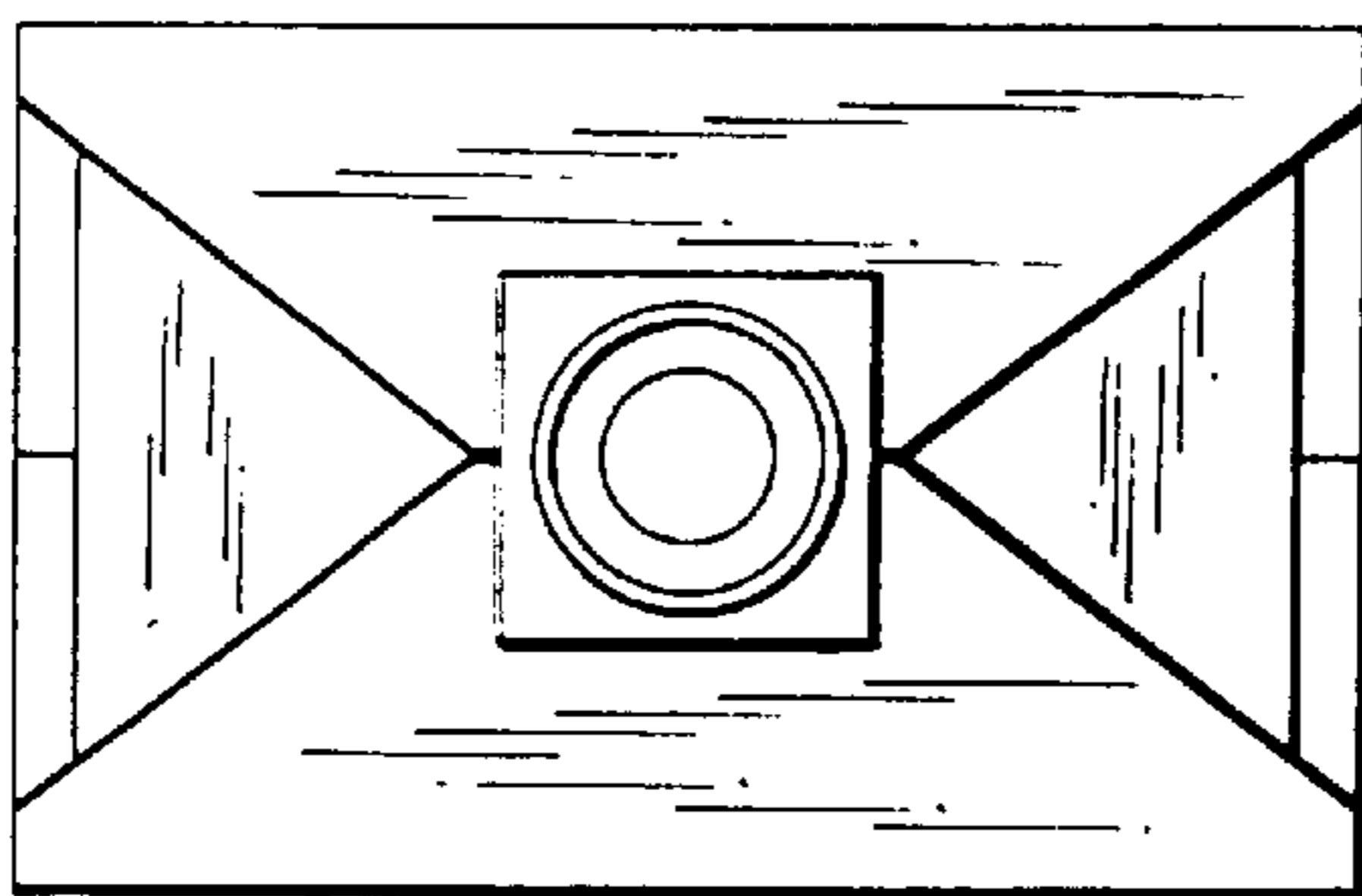


FIG. 3

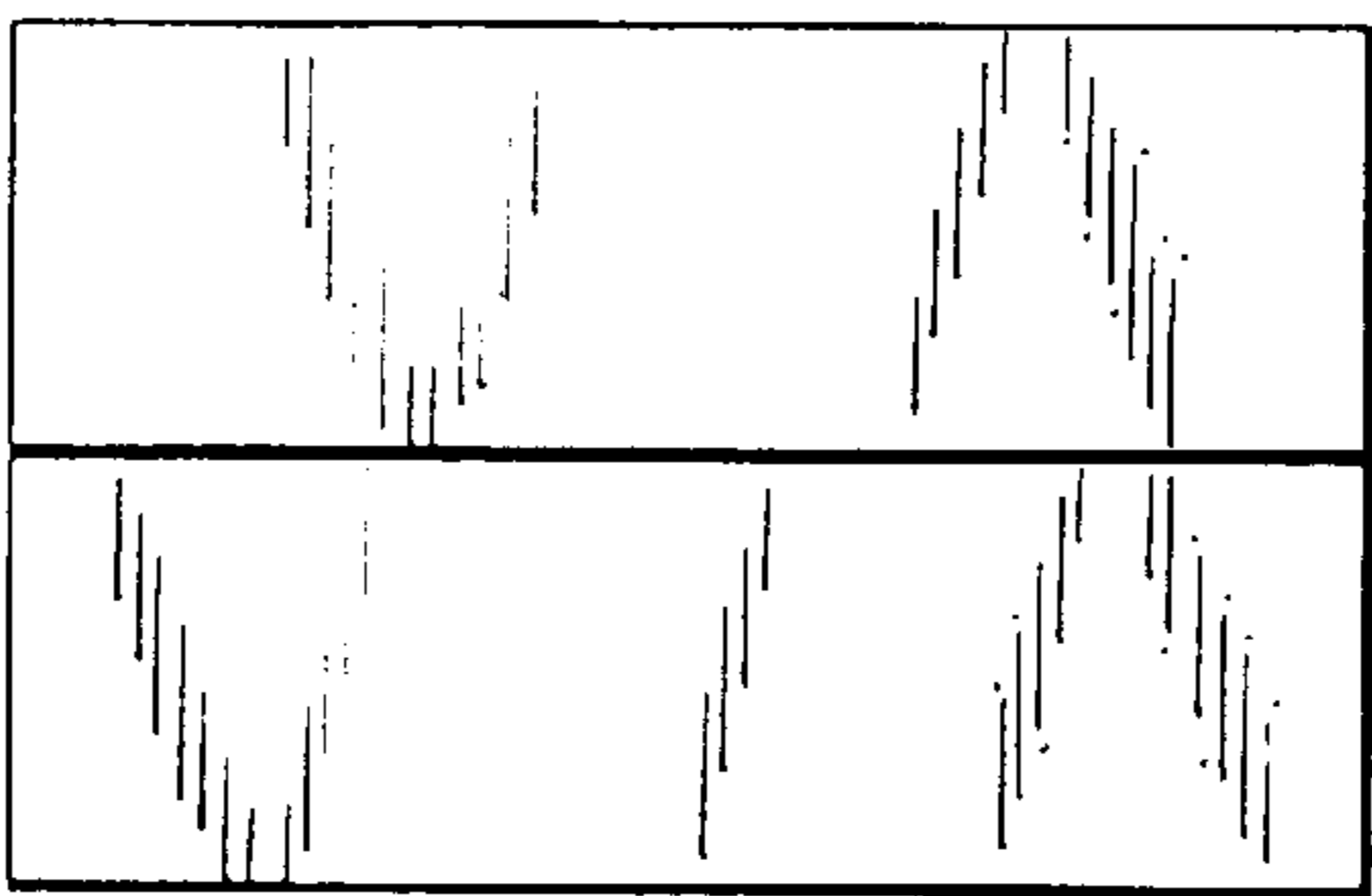


FIG. 4

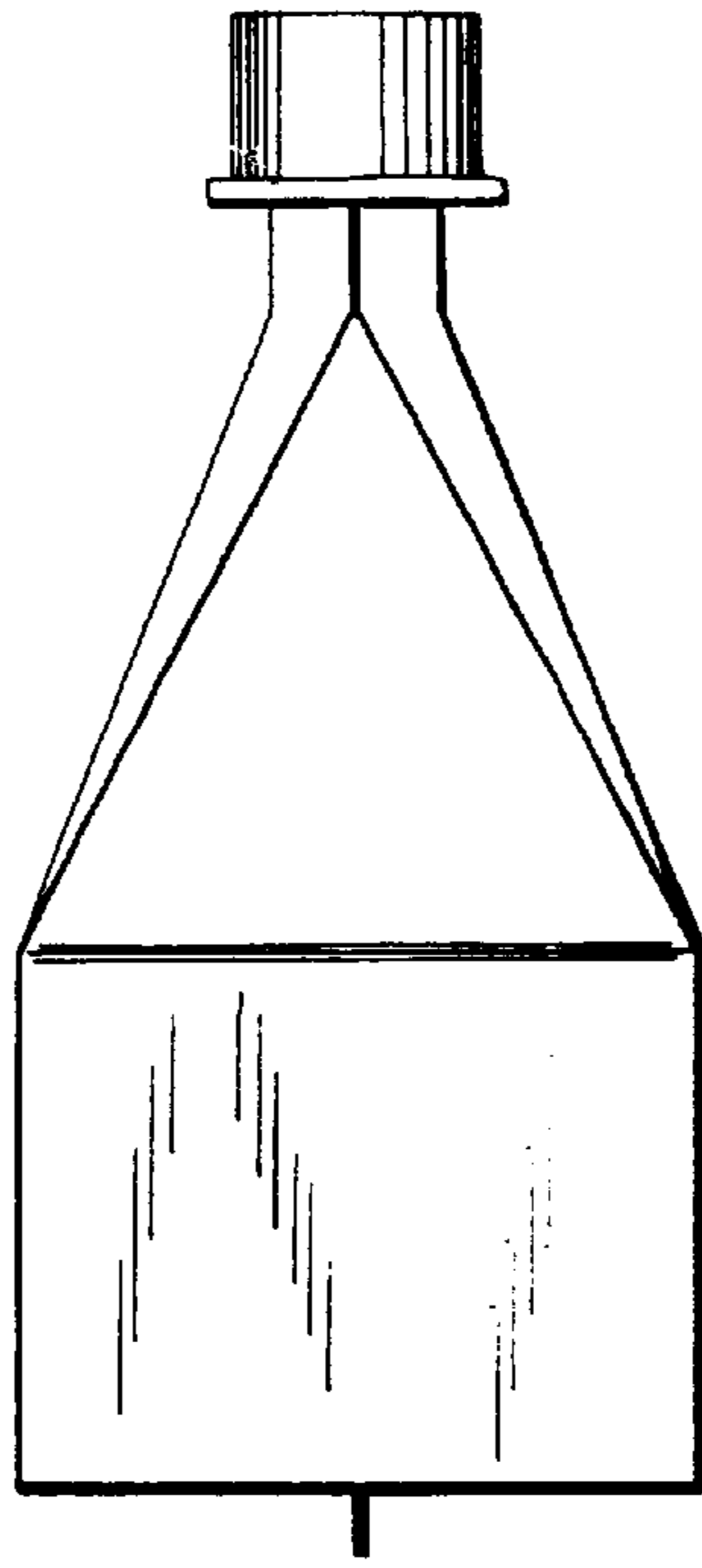


FIG. 5

