



US00D451125B1

(12) **United States Design Patent**
Sugiyama et al.

(10) **Patent No.:** **US D451,125 S**

(45) **Date of Patent:** **** Nov. 27, 2001**

(54) **IMAGE FORMING CARTRIDGE**

(75) Inventors: **Tadashi Sugiyama**, Yokohama; **Seizi Sugimura**, Shizuoka, both of (JP)

(73) Assignee: **Toshiba Tec Kabushiki Kaisha** (JP)

(**) Term: **14 Years**

(21) Appl. No.: **29/136,326**

(22) Filed: **Jan. 29, 2001**

(30) **Foreign Application Priority Data**

Aug. 9, 2000 (JP) 12-022062

(51) **LOC (7) Cl.** **16-03**

(52) **U.S. Cl.** **D18/40**

(58) **Field of Search** D18/40, 43, 56;
399/24, 25, 27, 31, 100, 130, 134, 252,
262; 222/DIG. 1

(56) **References Cited**

U.S. PATENT DOCUMENTS

- D. 398,633 * 9/1998 Hashizume et al. D18/40
- D. 422,626 * 4/2000 Kurosawa et al. D18/43
- D. 443,295 * 6/2001 Kusanagi et al. D18/40
- 5,287,145 * 2/1994 Ohtsuka 399/100

* cited by examiner

Primary Examiner—Caron D. Veynar

(74) *Attorney, Agent, or Firm*—Morrison Law Firm

(57) **CLAIM**

The ornamental design for an image forming cartridge, as shown and described.

DESCRIPTION

The present invention is an image forming cartridge for use with copying machines, printers, facsimile machines and other similar devices.

FIG. 1 is a front perspective view of an image forming cartridge of the present invention.

FIG. 2 is a rear perspective view of an image forming cartridge of the present invention.

FIG. 3 is a front elevation view of an image forming cartridge of the present invention.

FIG. 4 is a rear elevation view of an image forming cartridge of the present invention.

FIG. 5 is a top plan view of an image forming cartridge of the present invention.

FIG. 6 is a bottom plan view of an image forming cartridge of the present invention.

FIG. 7 is a left side elevation view of an image forming cartridge of the present invention.

FIG. 8 is a right side elevation view of an image forming cartridge of the present invention.

FIG. 9 is an enlarged left side elevation view of an image forming cartridge of the present invention.

FIG. 10 is an enlarged right side elevation view of an image forming cartridge of the present invention.

FIG. 11 is an enlarged view of an image forming cartridge of the present invention taken from FIG. 1.

FIG. 12 is an enlarged view of an image forming cartridge of the present invention taken from FIG. 1.

FIG. 13 is an enlarged view of an image forming cartridge of the present invention taken from FIG. 2.

FIG. 14 is an enlarged view of an image forming cartridge of the present invention taken from FIG. 2.

FIG. 15 is an enlarged view of an image forming cartridge of the present invention taken from FIG. 3.

FIG. 16 is an enlarged view of an image forming cartridge of the present invention taken from FIG. 3.

FIG. 17 is an enlarged view of an image forming cartridge of the present invention taken from FIG. 4.

FIG. 18 is an enlarged view of an image forming cartridge of the present invention taken from FIG. 4.

FIG. 19 is an enlarged view of an image forming cartridge of the present invention taken from FIG. 5.

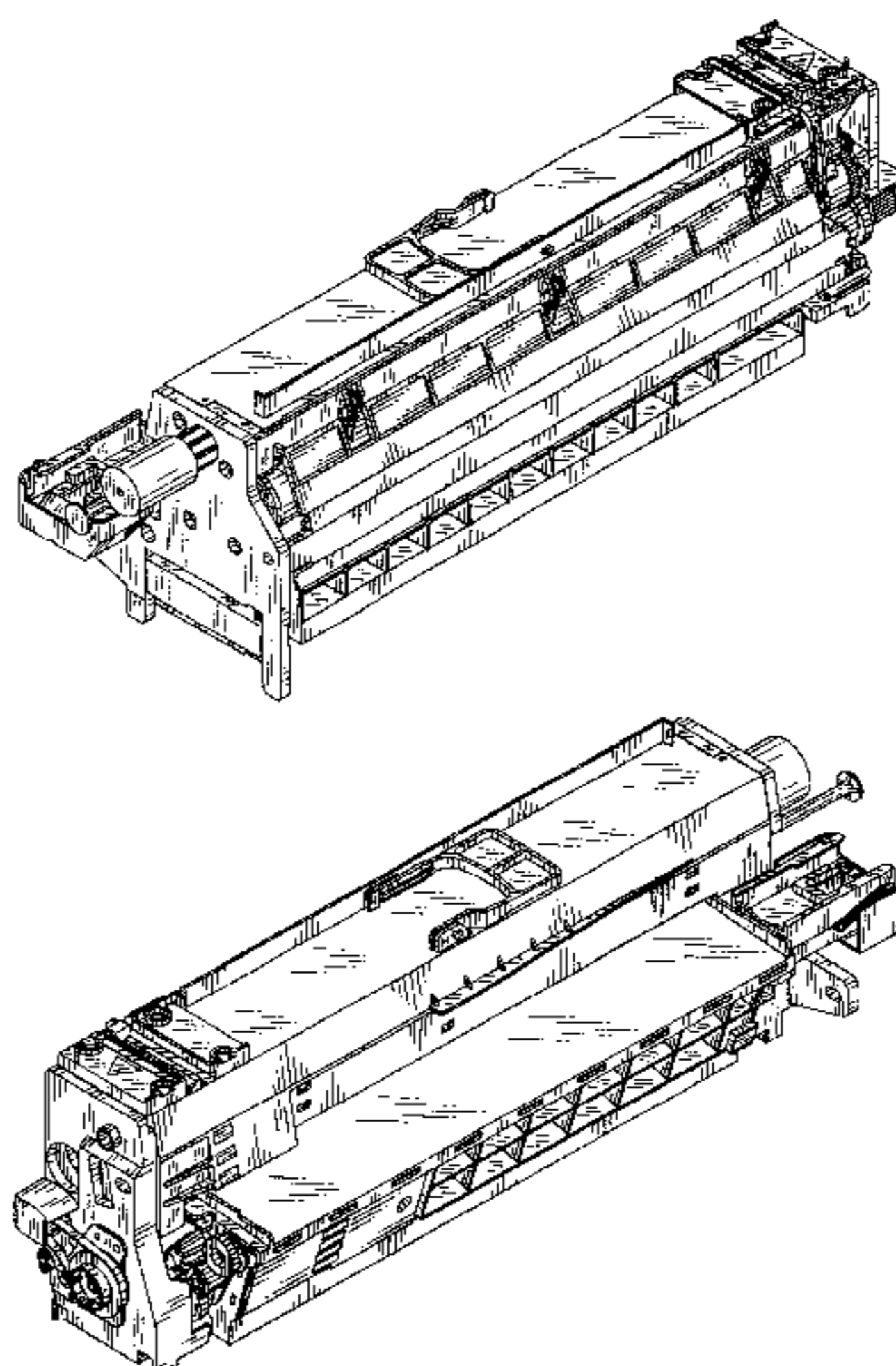
FIG. 20 is an enlarged view of an image forming cartridge of the present invention taken from FIG. 5.

FIG. 21 is an enlarged view of an image forming cartridge of the present invention taken from FIG. 6; and,

FIG. 22 is an enlarged view of an image forming cartridge of the present invention taken from FIG. 6.

FIGS. 11–22 are enlarged partial views.

1 Claim, 11 Drawing Sheets



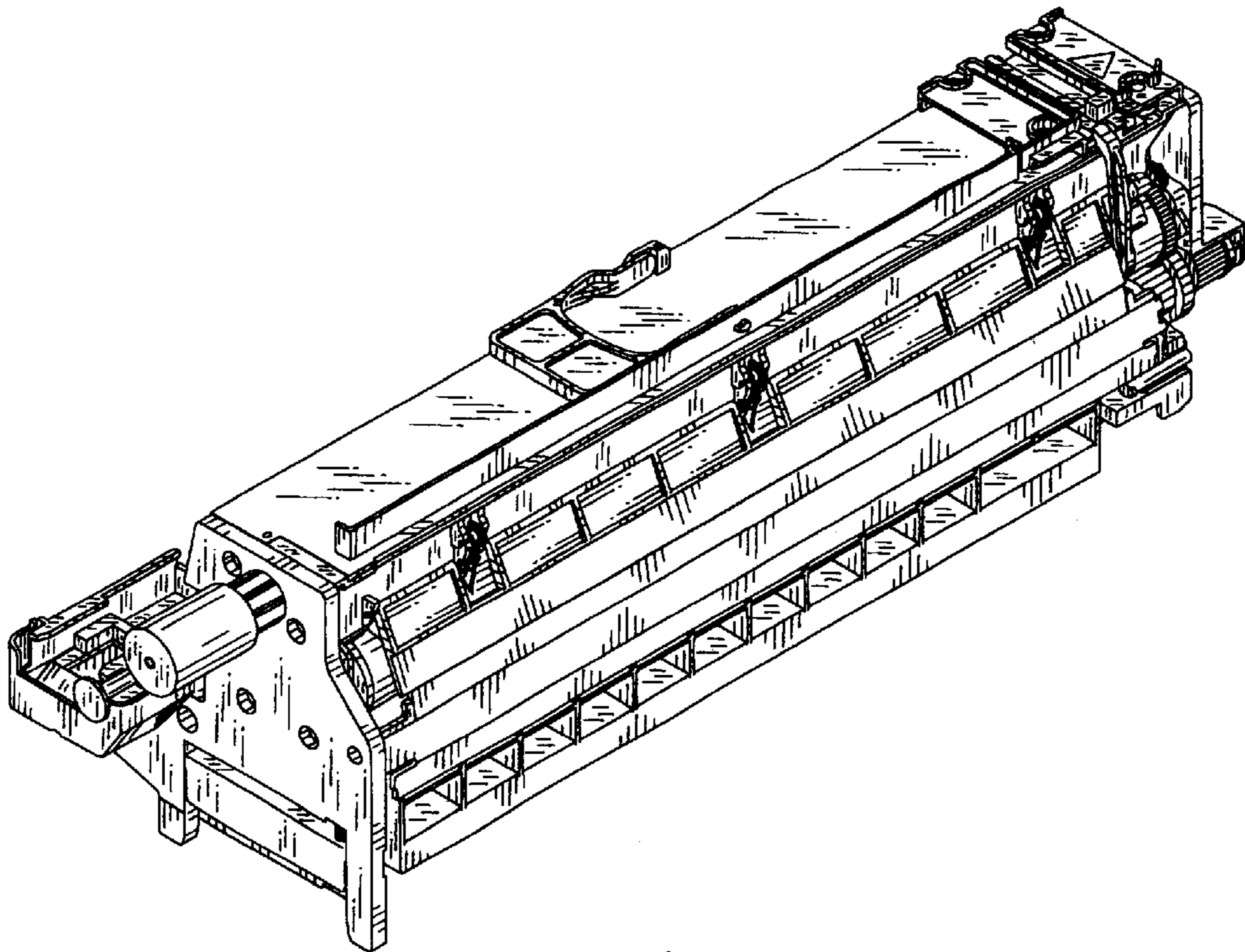


Fig. 1

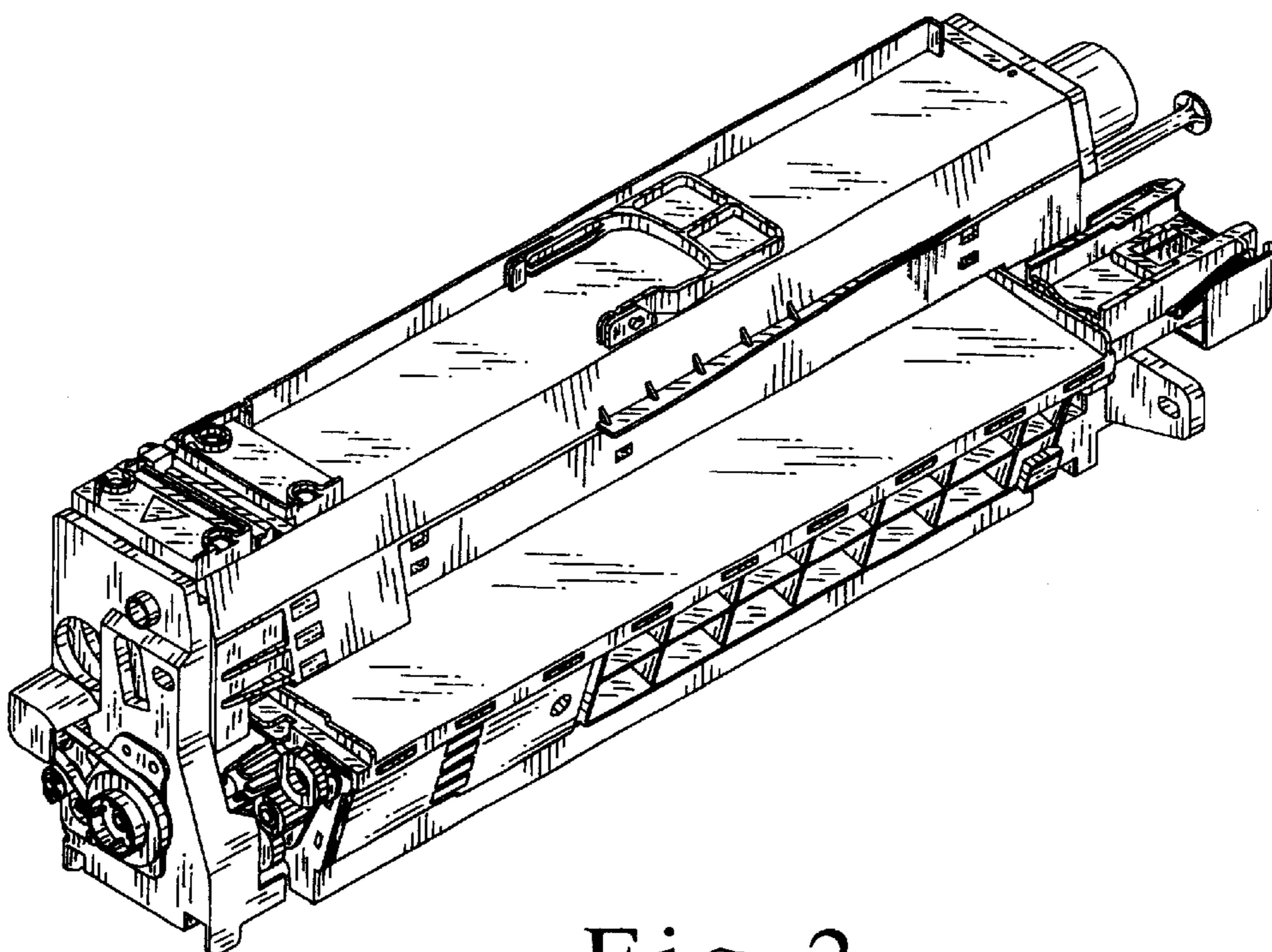


Fig. 2

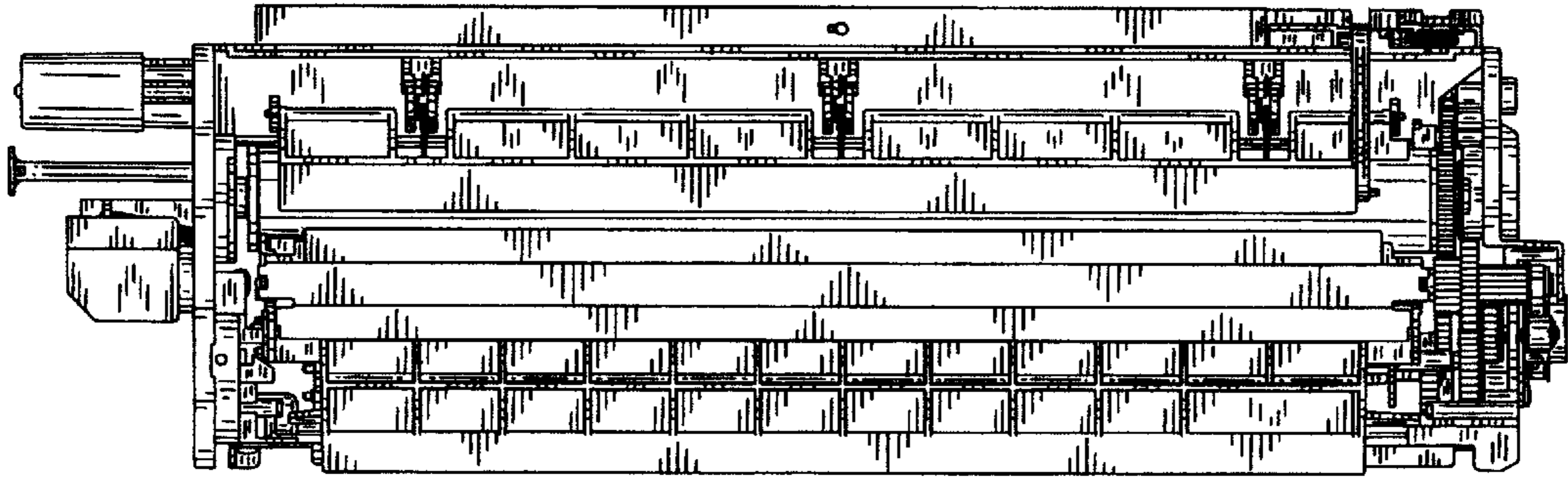


Fig. 3

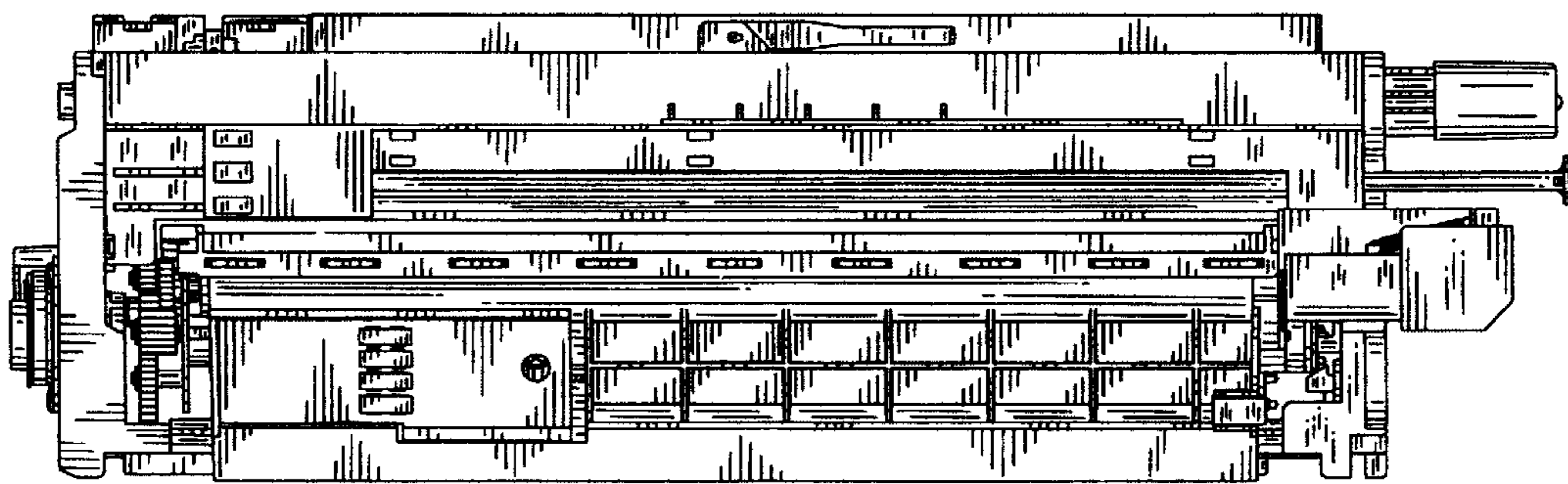


Fig. 4

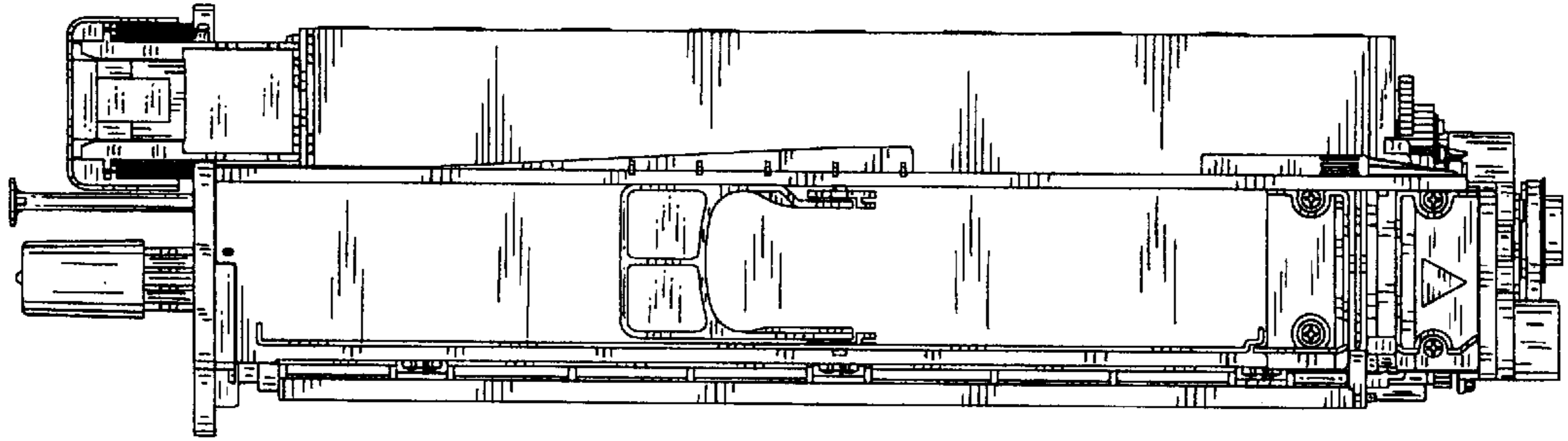


Fig. 5

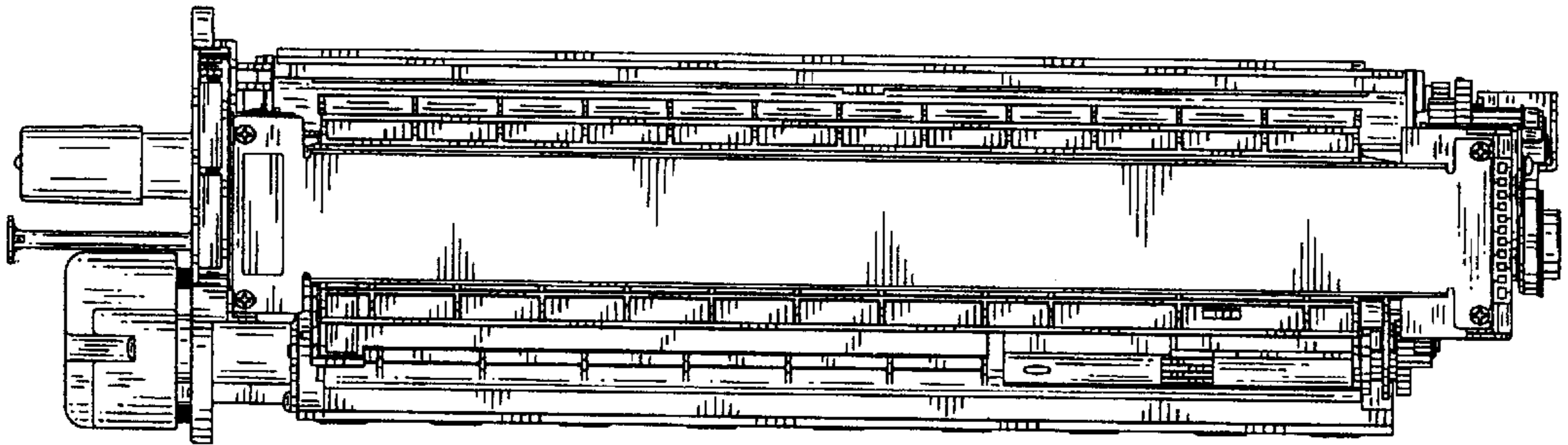


Fig. 6

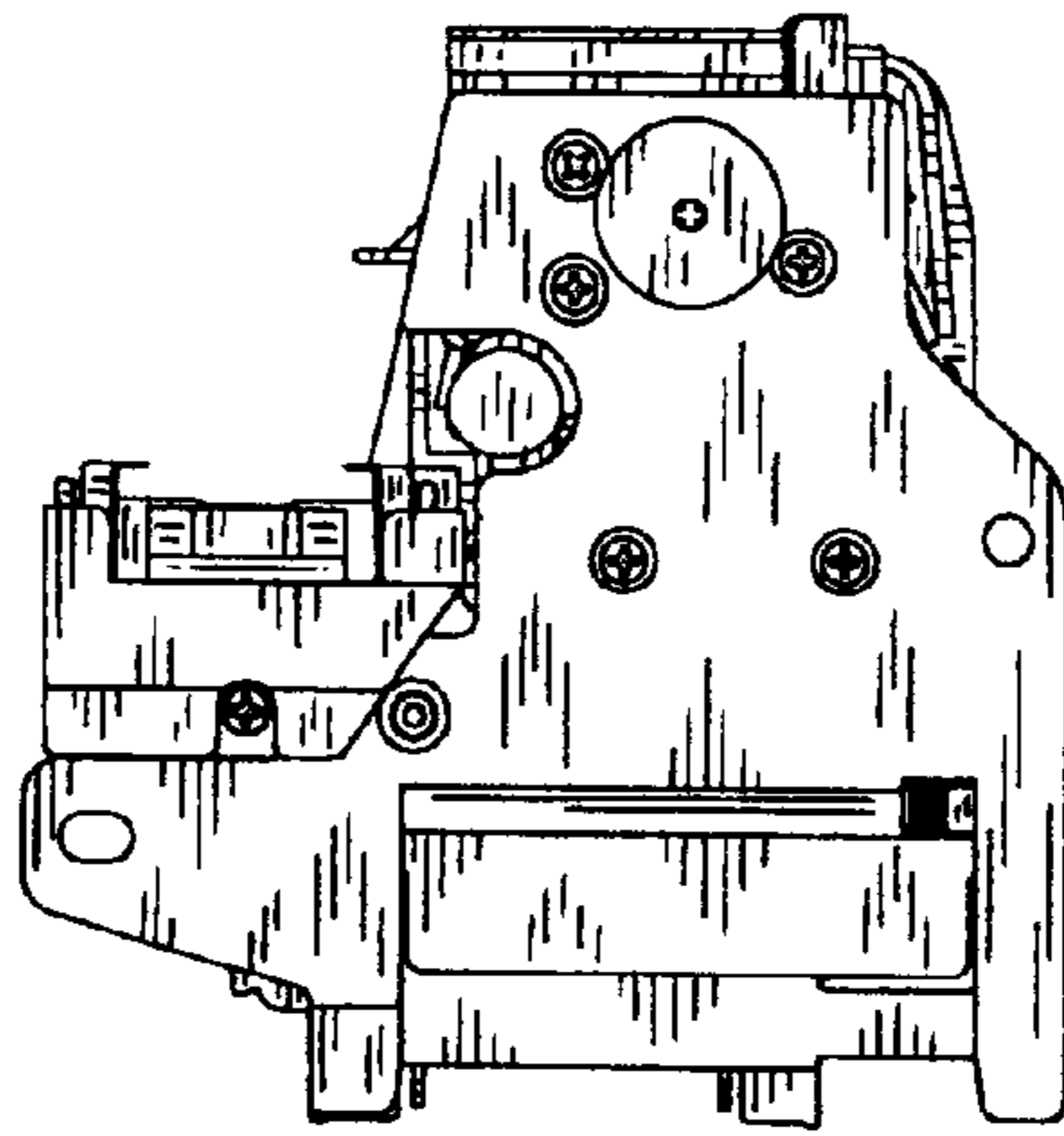


Fig. 7

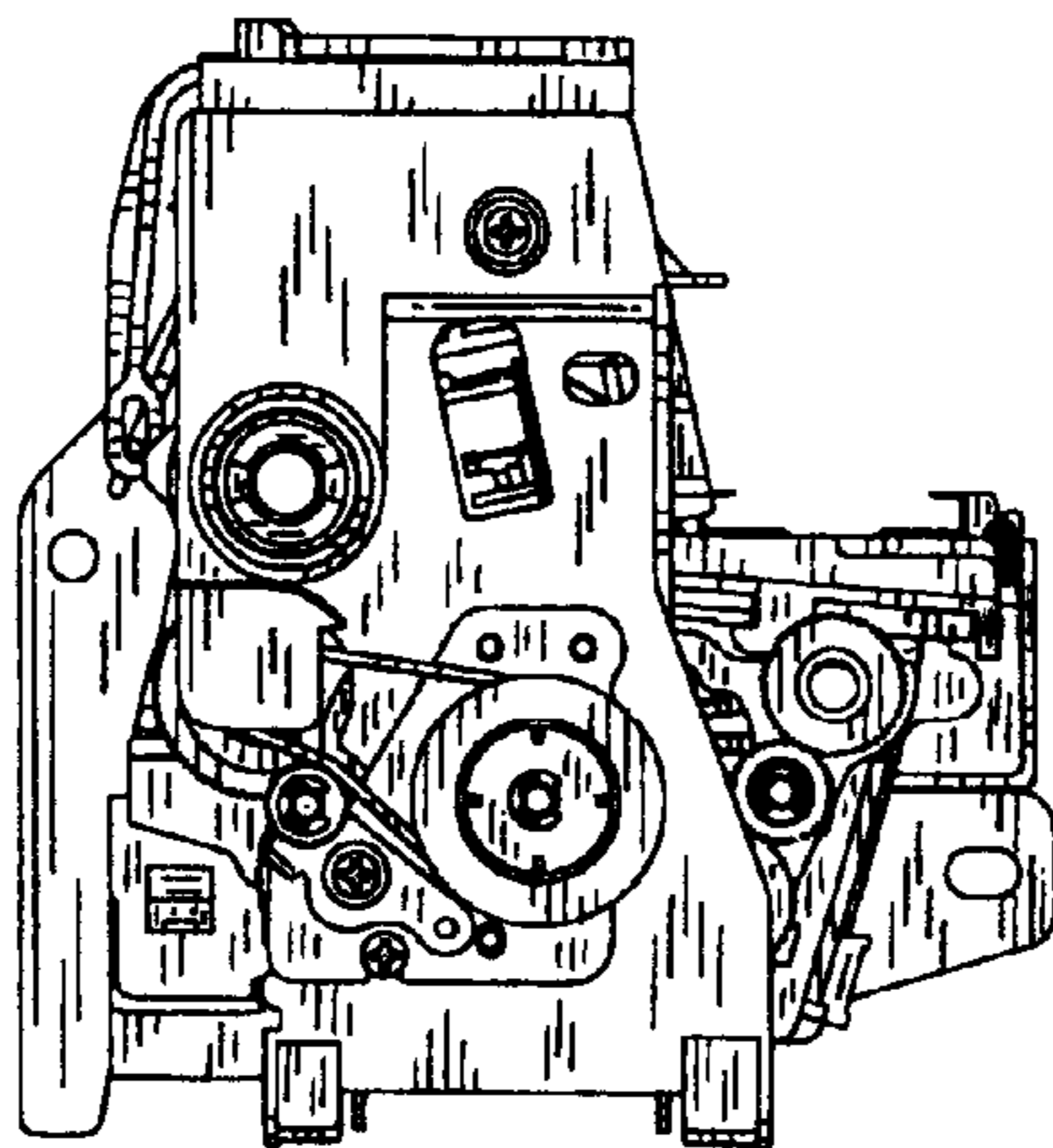


Fig. 8

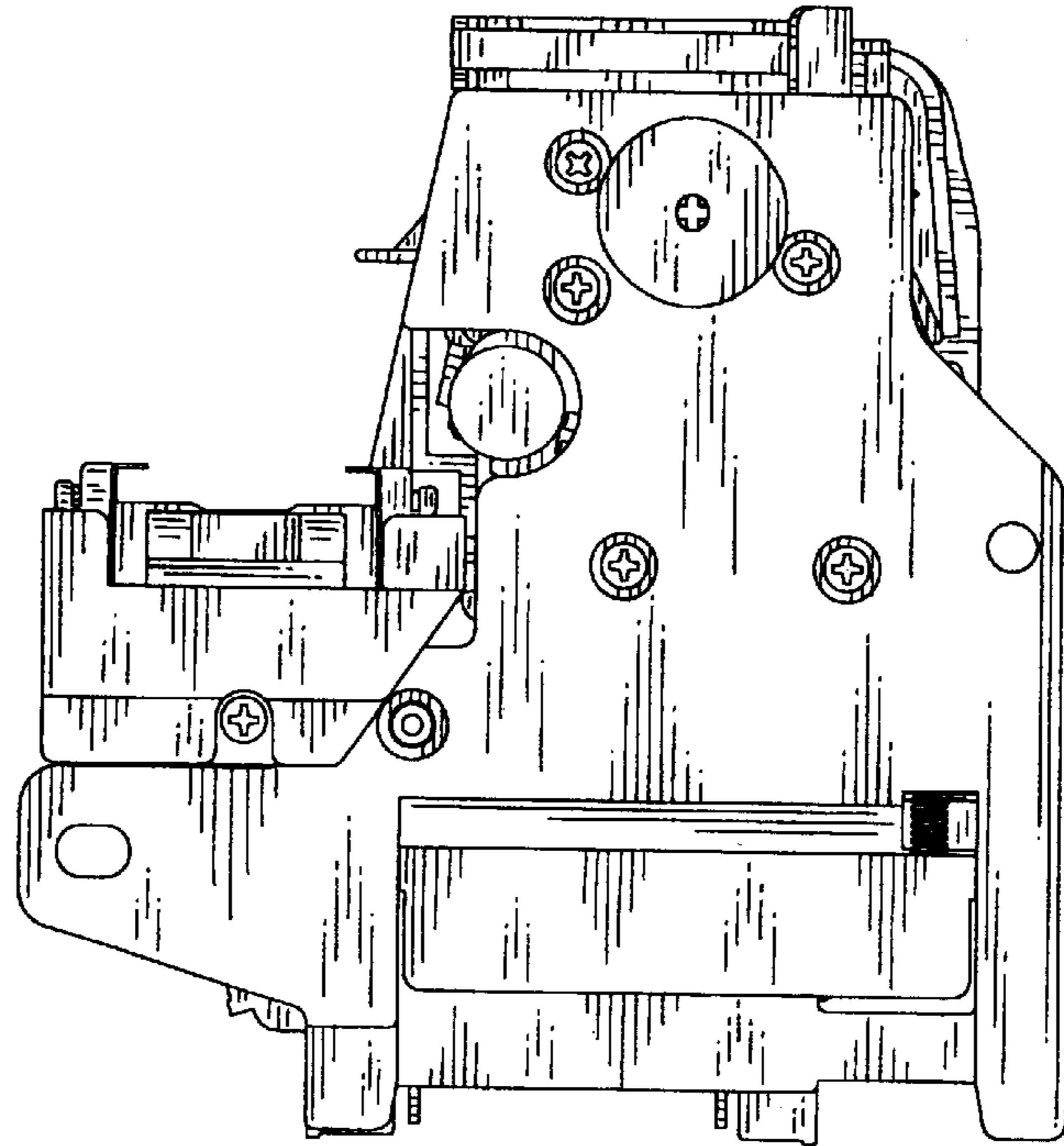


Fig. 9

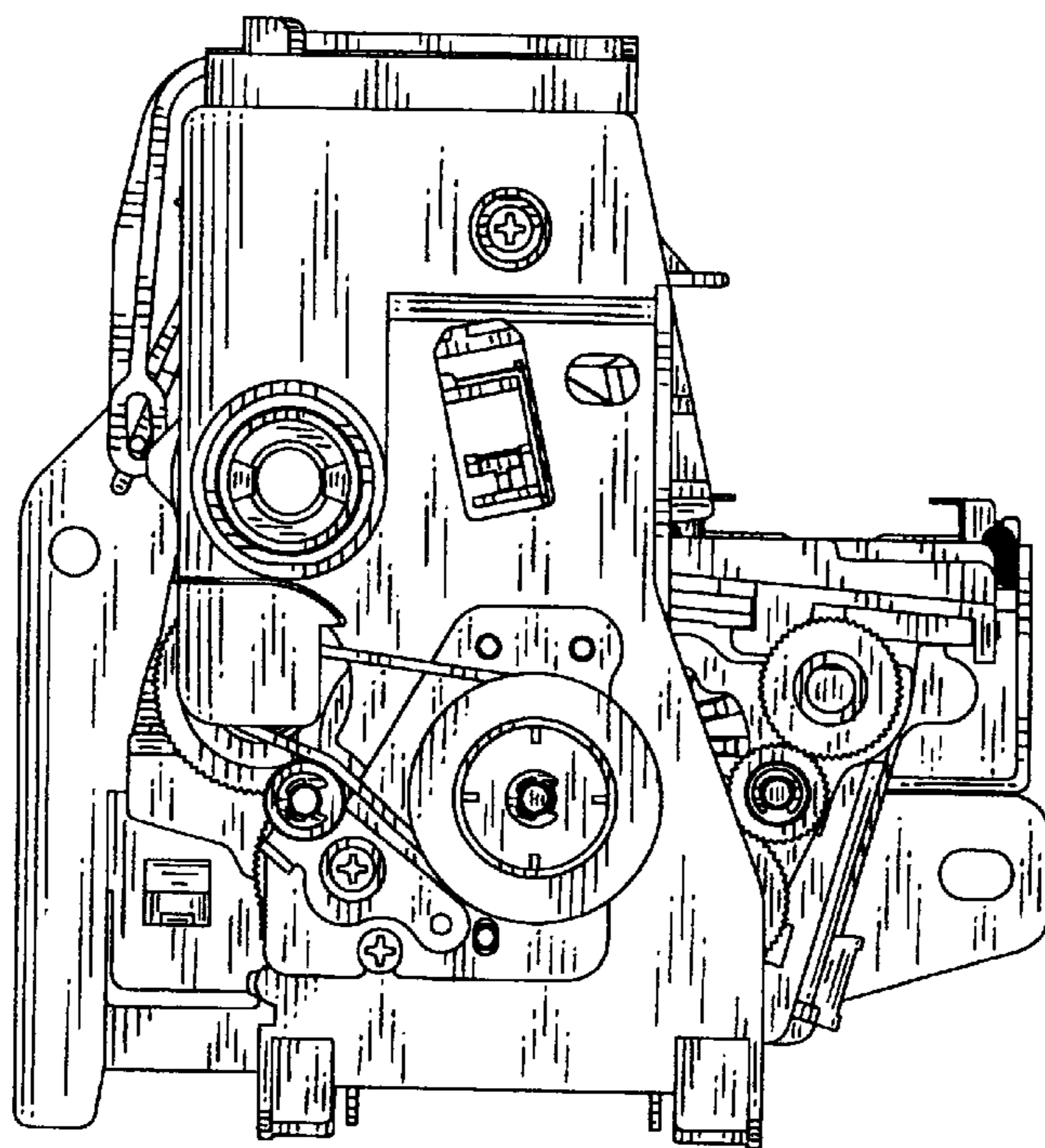


Fig. 10

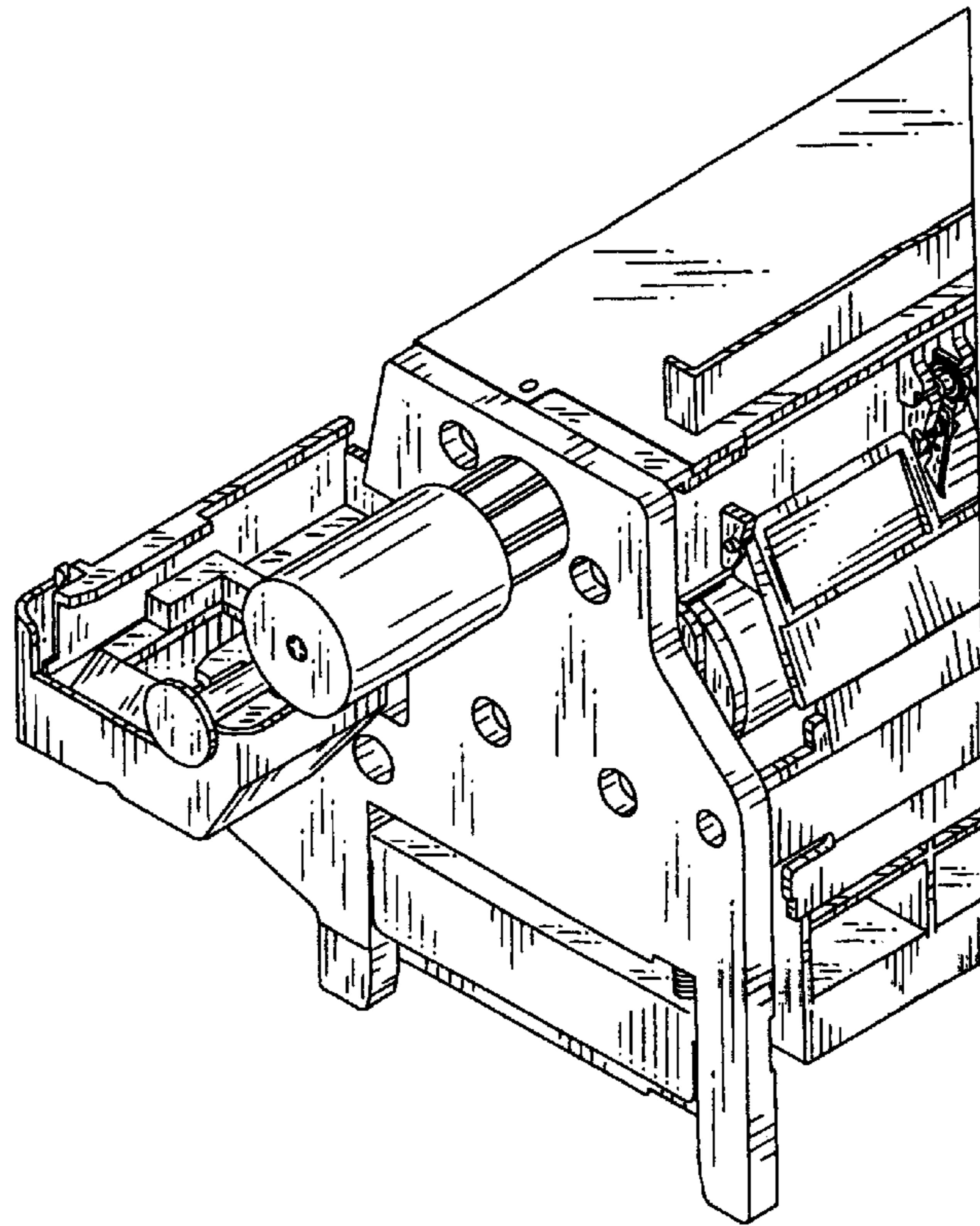


Fig.11

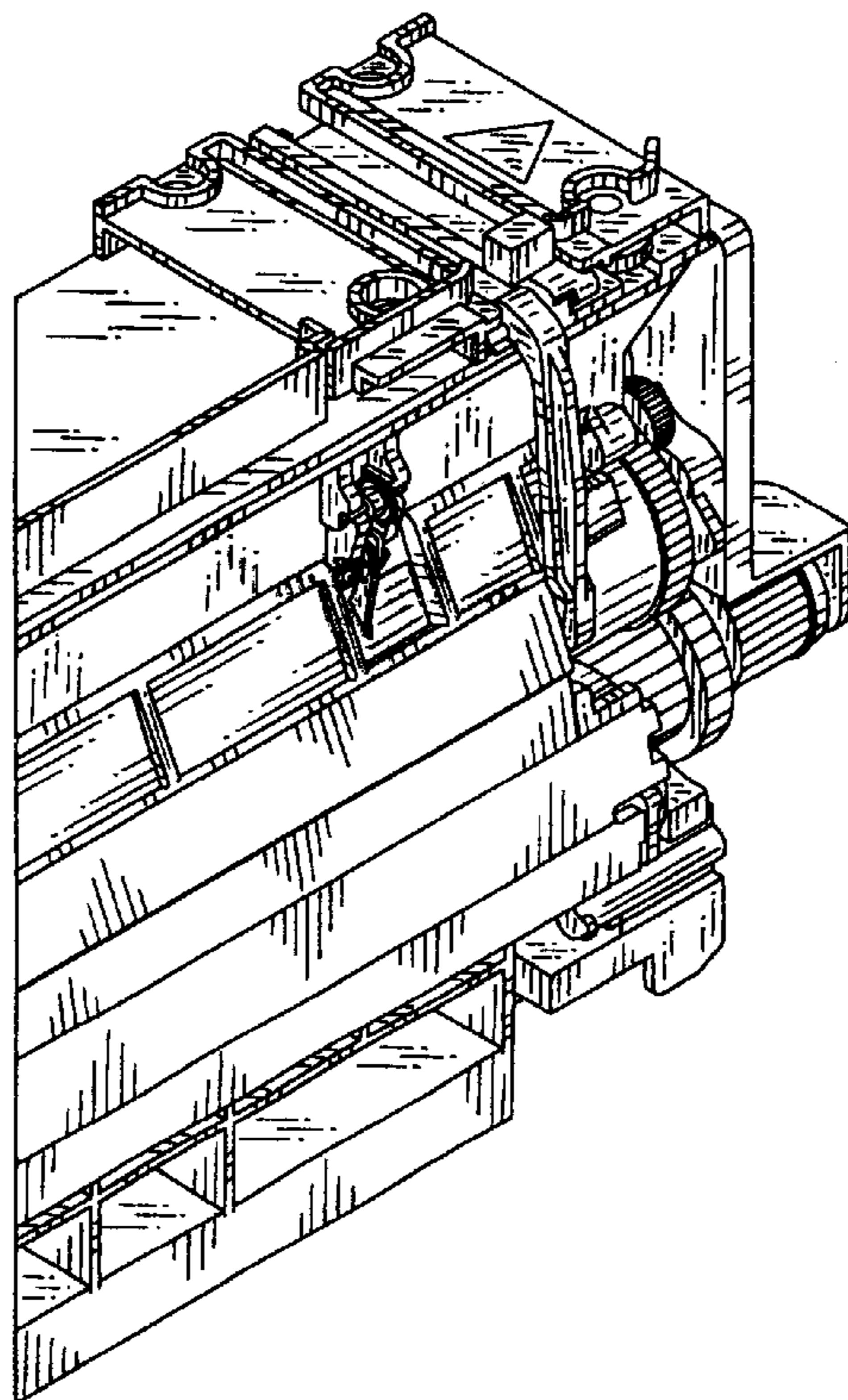


Fig.12

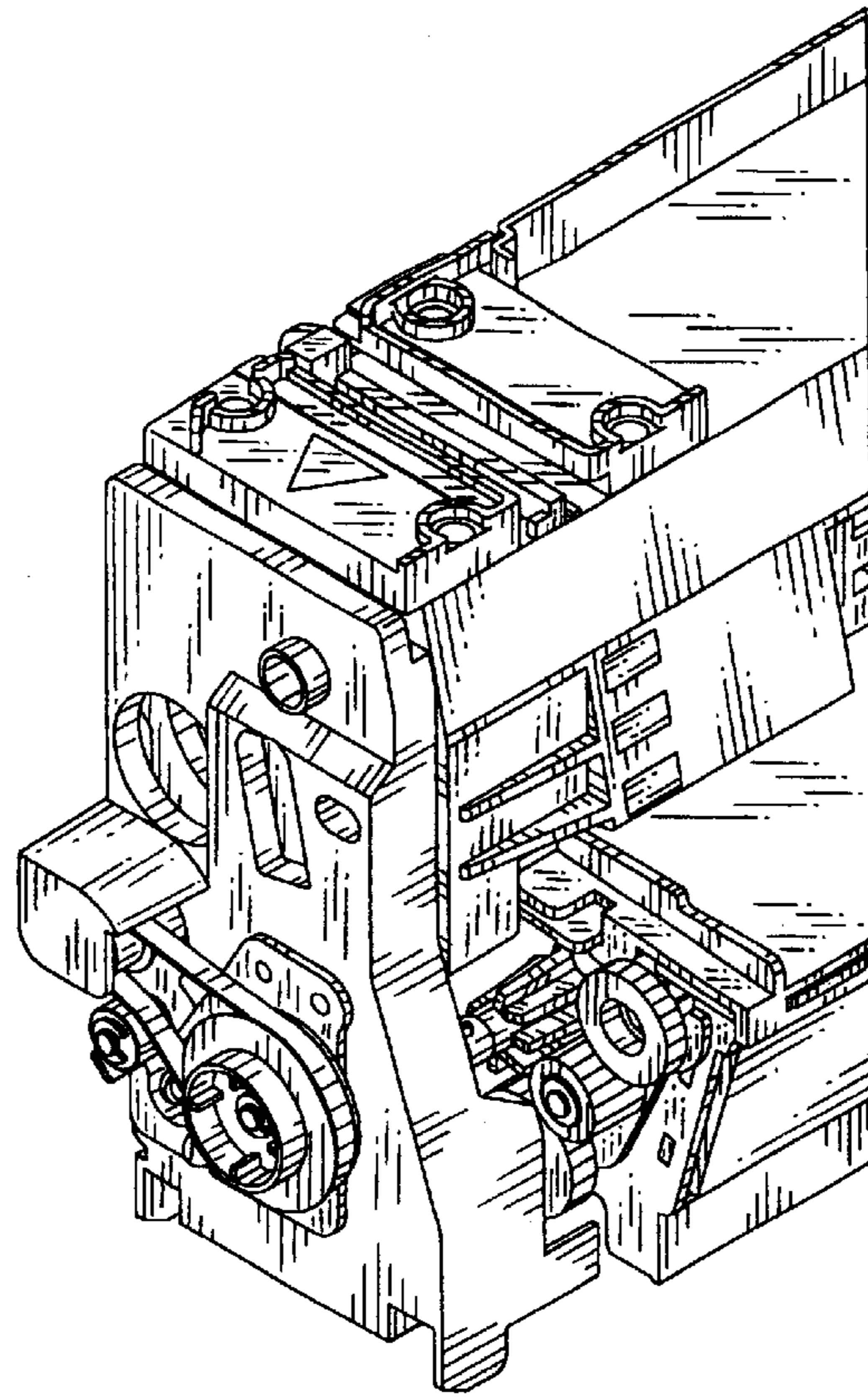


Fig.13

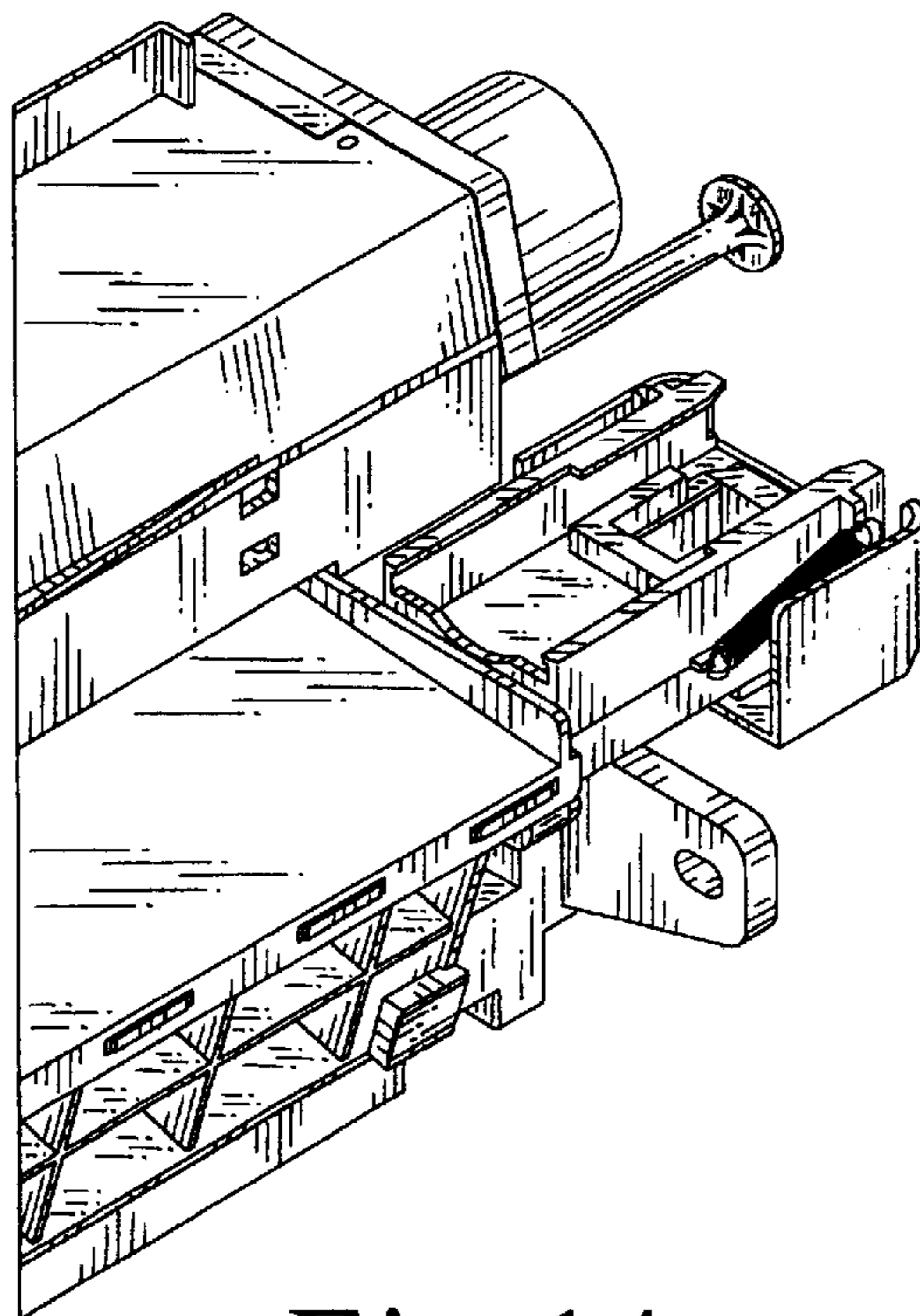


Fig.14

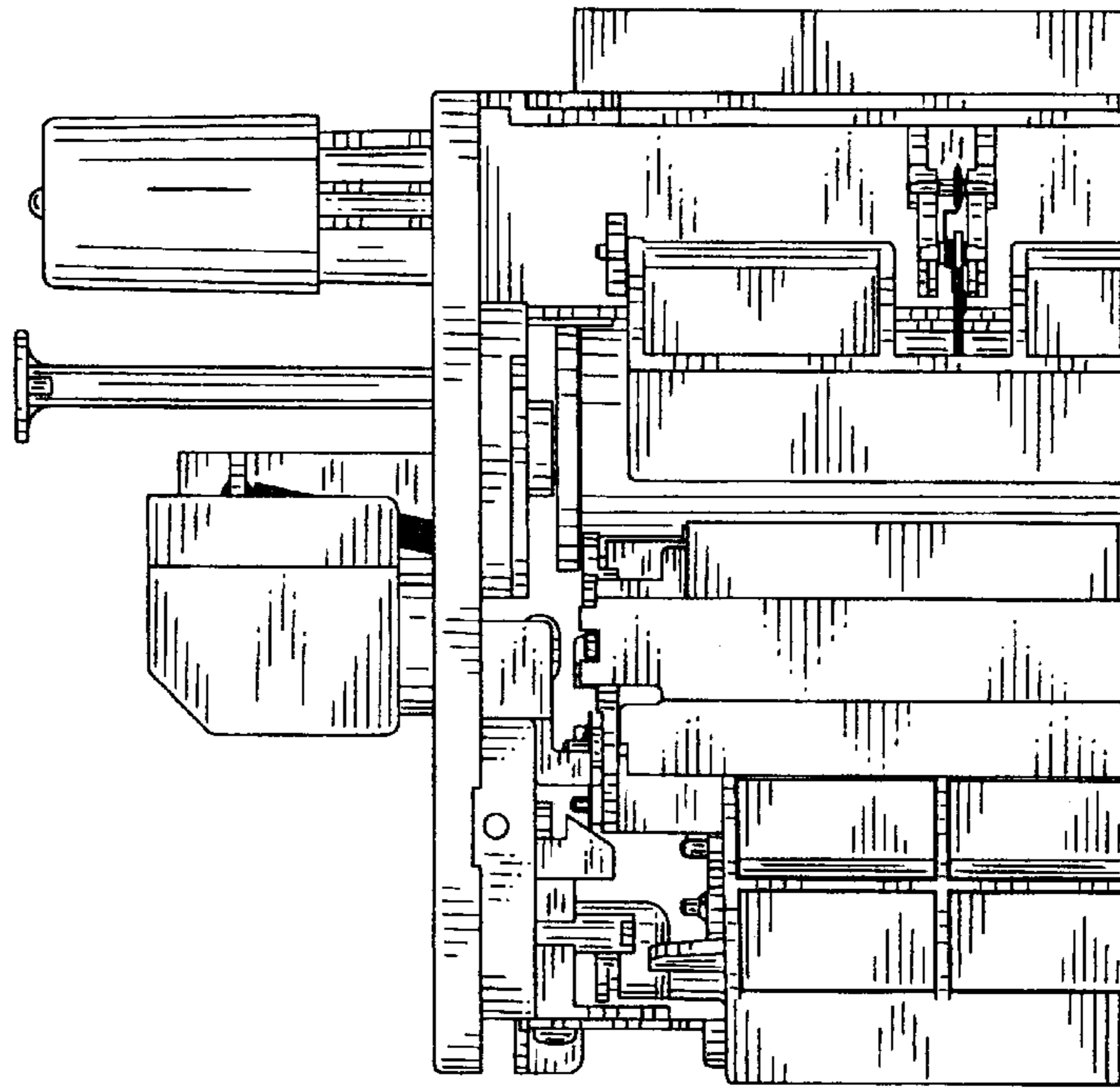


Fig.15

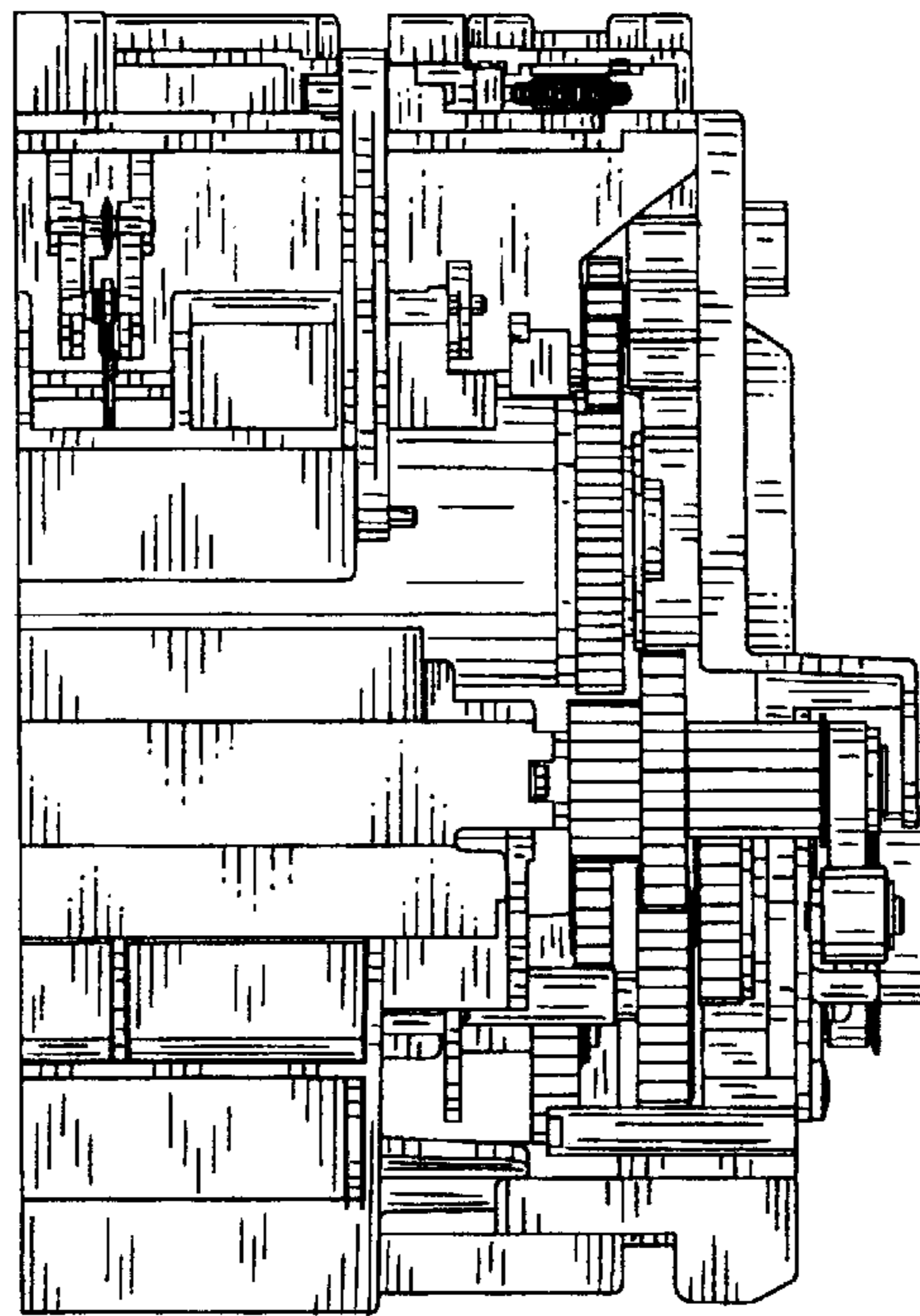


Fig.16

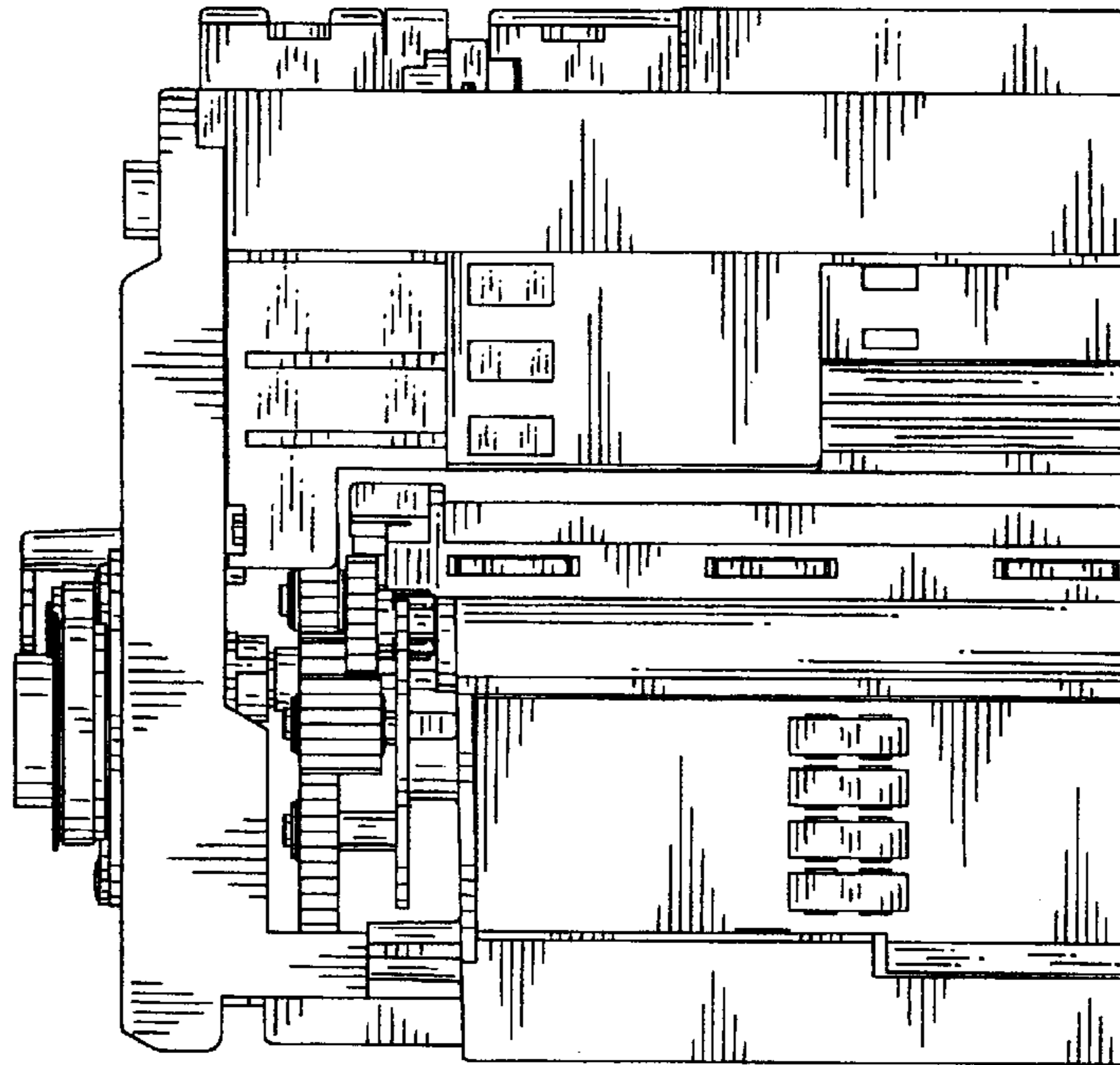


Fig.17

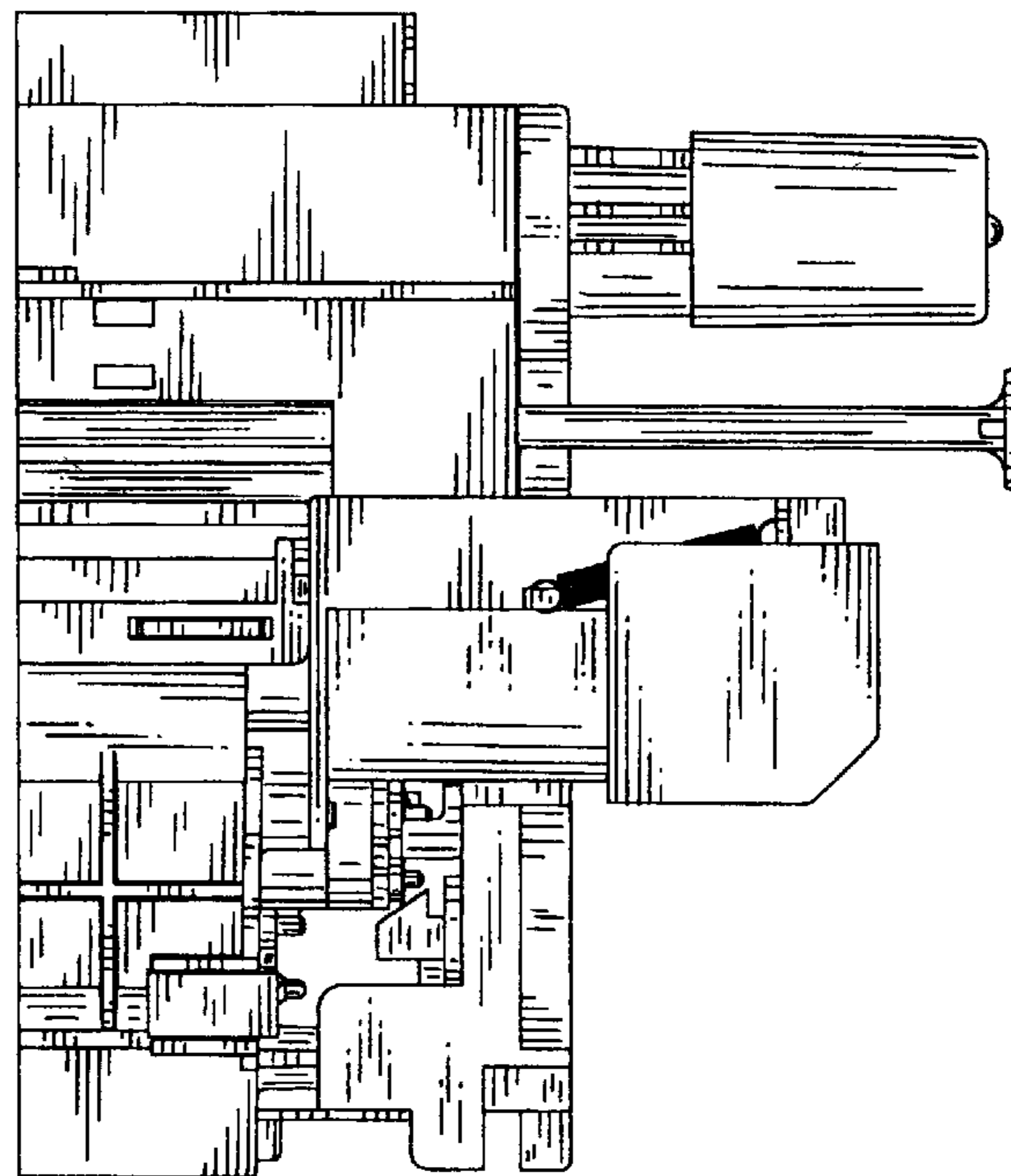


Fig.18

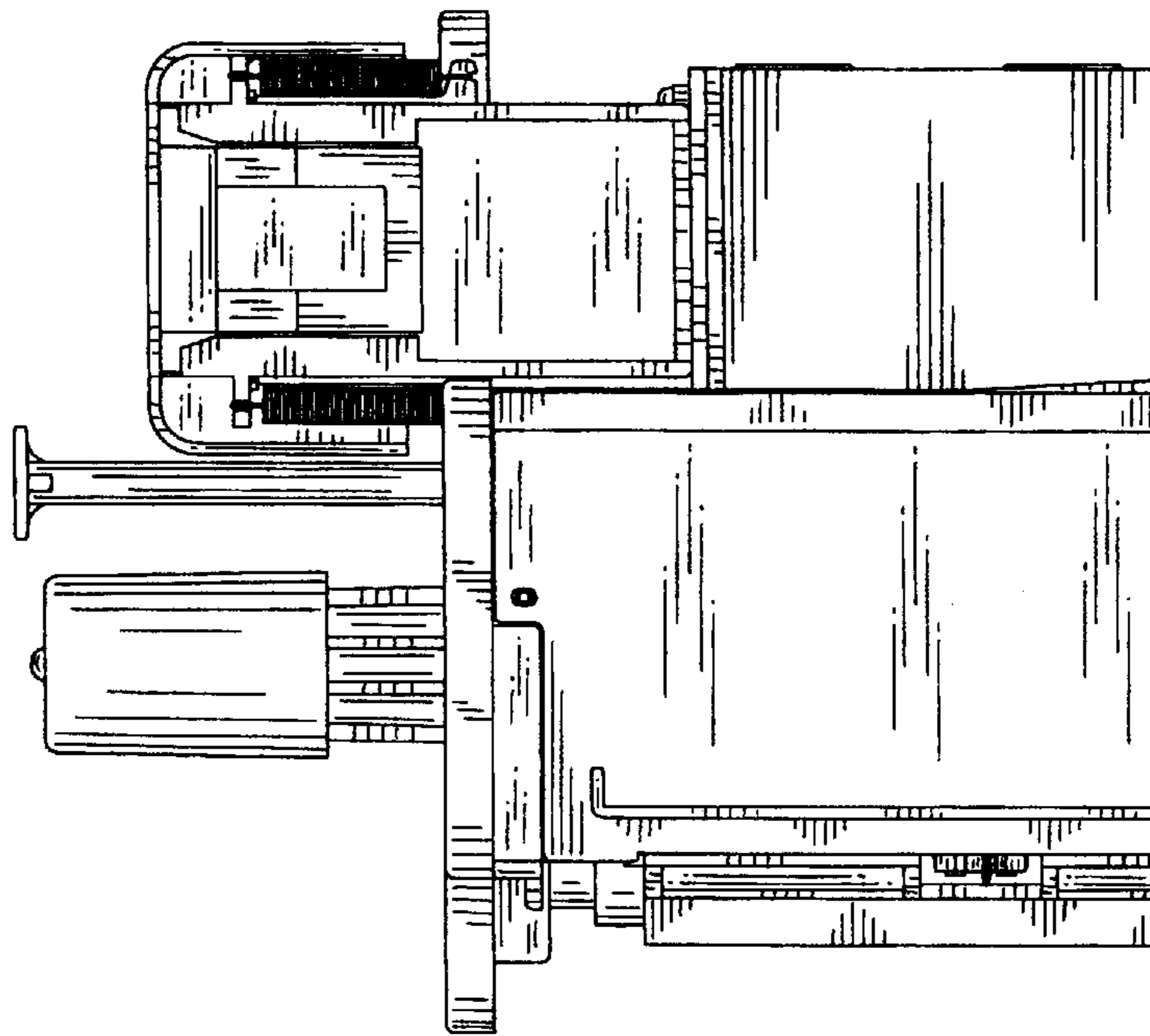


Fig.19

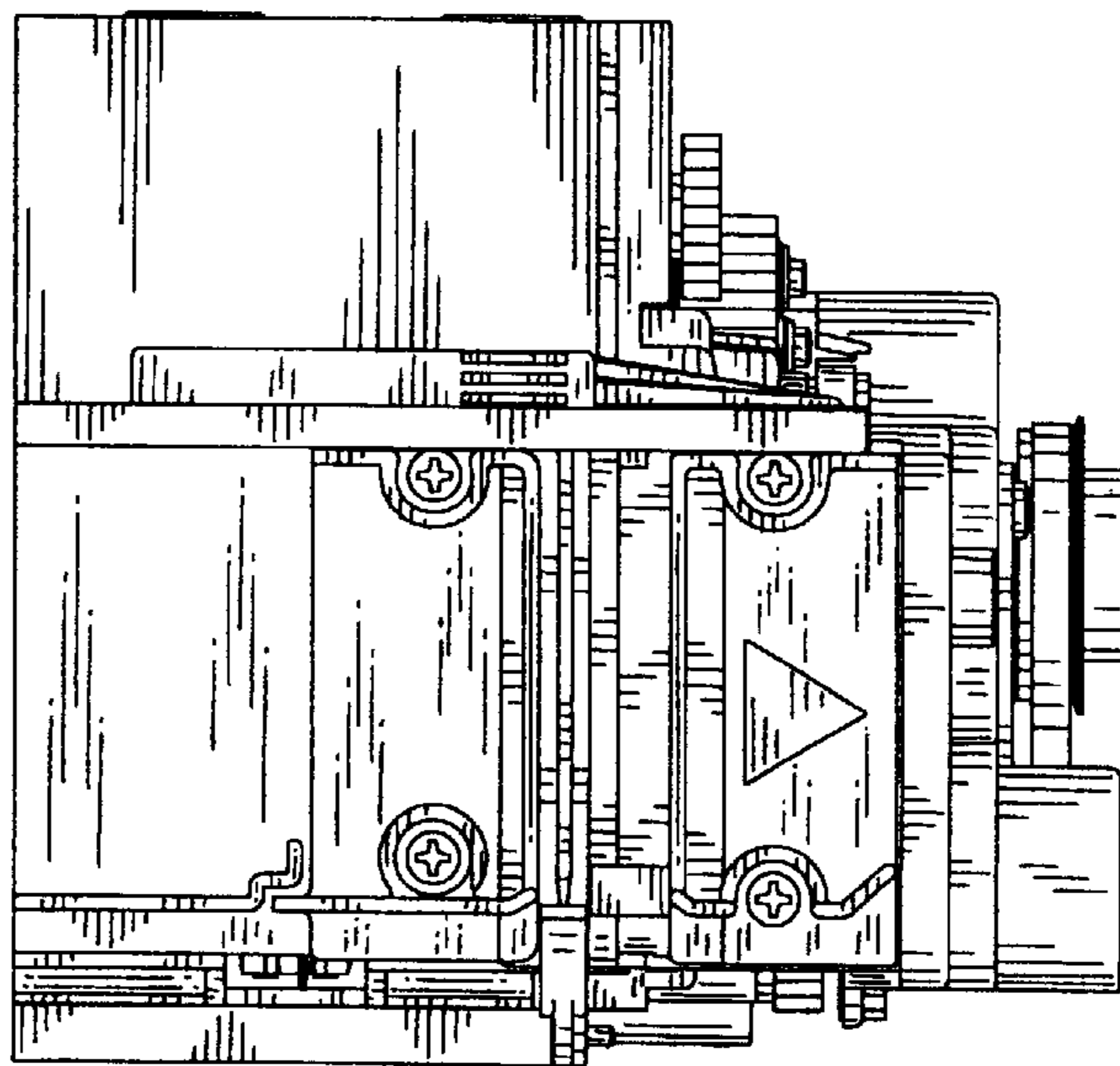


Fig.20

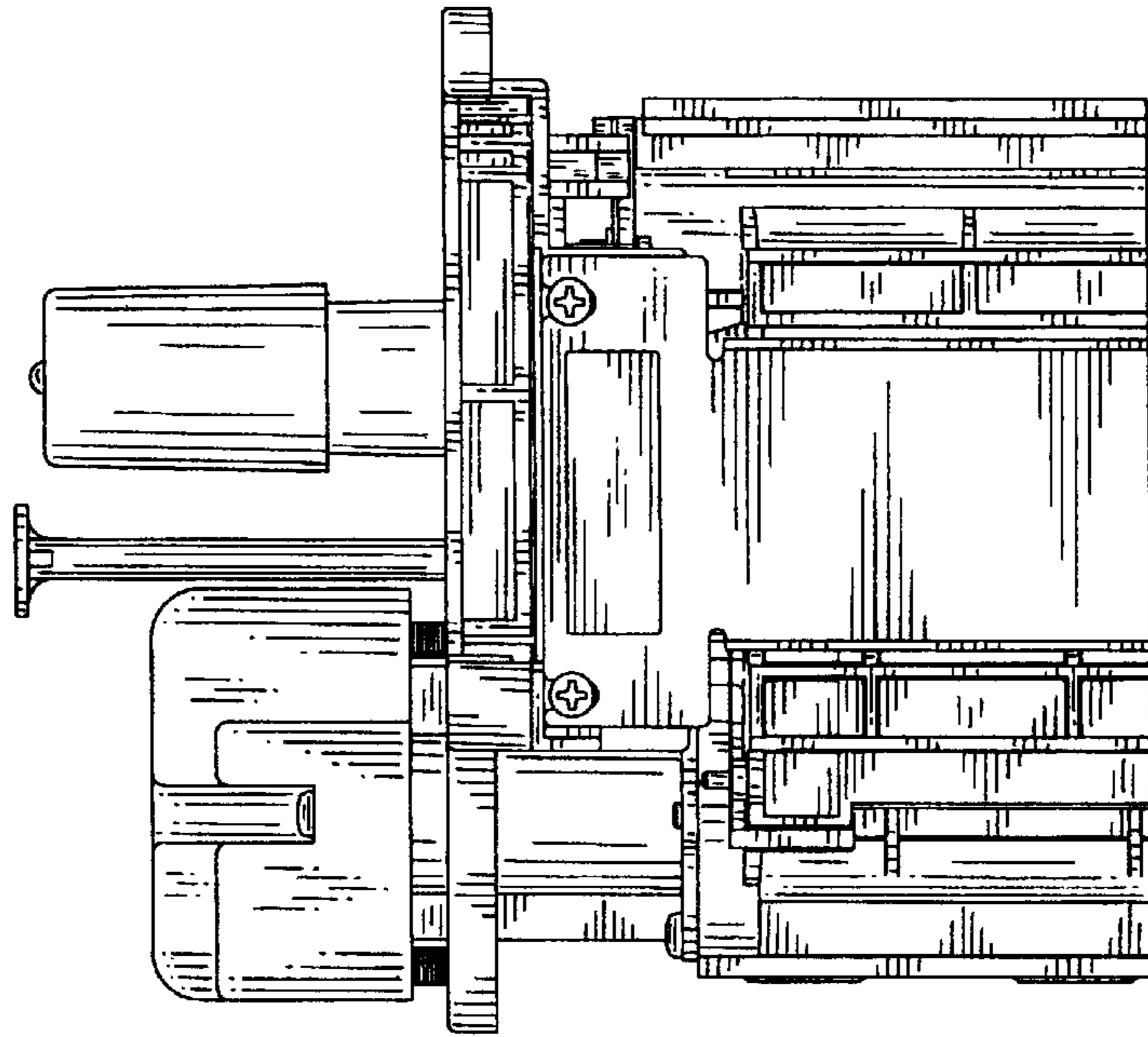


Fig.21

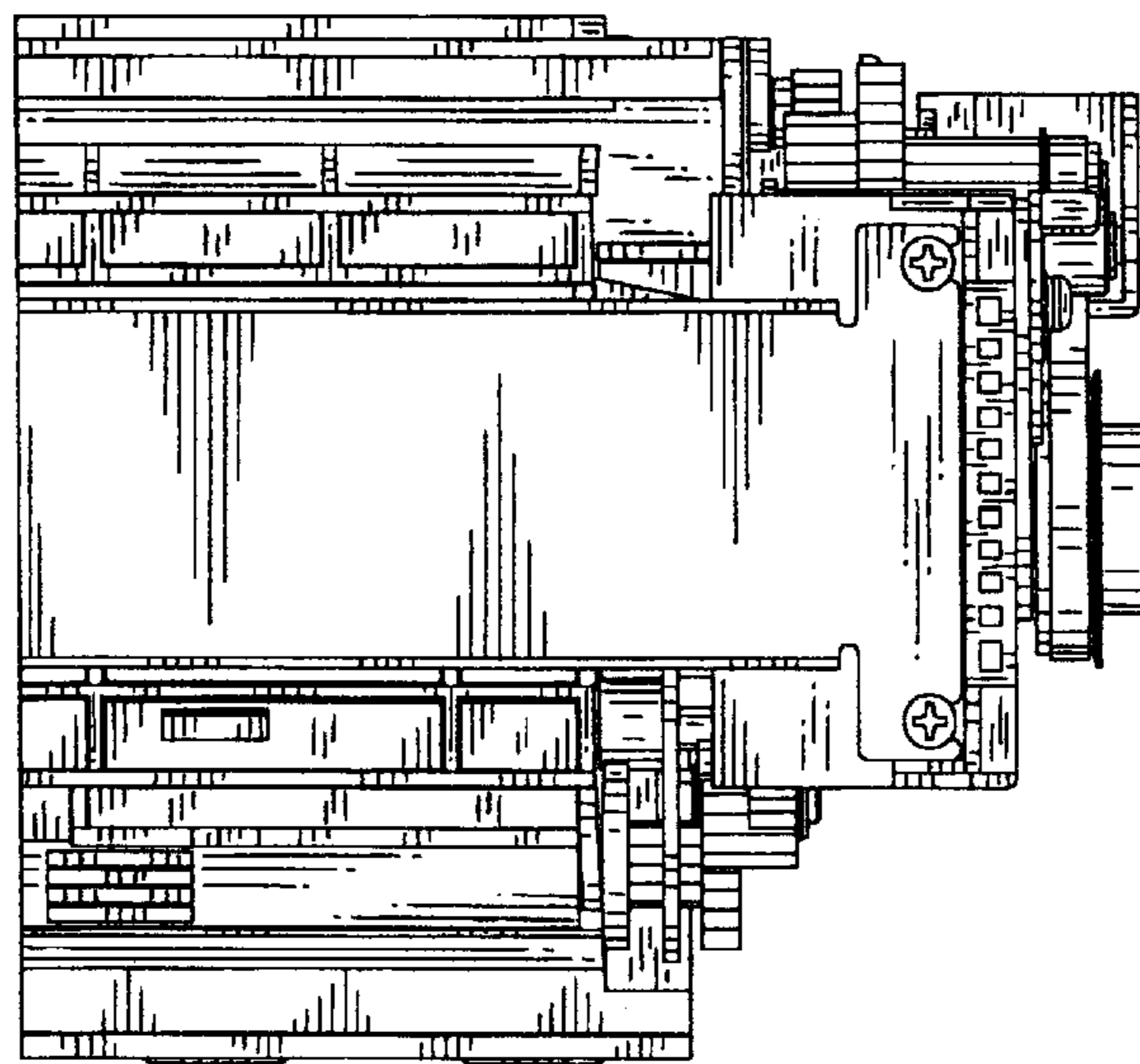


Fig.22