



US00D451123B2

(12) **United States Design Patent**  
**Isogai et al.**

(10) **Patent No.:** **US D451,123 S**

(45) **Date of Patent:** **\*\* Nov. 27, 2001**

(54) **PORTION OF A COPYING MACHINE WITH FACSIMILE FUNCTIONS**

(75) Inventors: **Yoshitaka Isogai; Yoko Takahashi,**  
both of Toyokawa (JP)

(73) Assignee: **Minolta Co., Ltd.,** Osaka (JP)

(\*\*) Term: **14 Years**

(21) Appl. No.: **29/127,768**

(22) Filed: **Aug. 14, 2000**

(30) **Foreign Application Priority Data**

Feb. 15, 2000 (JP) ..... 12-002539

(51) **LOC (7) Cl.** ..... **16-03**

(52) **U.S. Cl.** ..... **D18/36; D14/462**

(58) **Field of Search** ..... **D18/36-40; 399/1-7,**  
**399/130, 151, 411; D14/462, 463**

(56) **References Cited**

**U.S. PATENT DOCUMENTS**

- D. 425,929 \* 5/2000 Imai ..... D18/36
- D. 428,049 \* 7/2000 Imai ..... D18/36
- D. 438,559 \* 3/2001 Matsumoto et al. .... D18/39

**OTHER PUBLICATIONS**

Minolta Dialta Di180 catalog, Jan. 1999; published by Minolta.

Minolta Dialta Di180f catalog, Jan. 1999; published by Minolta.

Sharp AR-N200 Libre catalog, Apr. 1999; published by Sharp.

Sharp AR-F160 Libre catalog, May 1999; published by Sharp.

Sharp AL-840 Libre Mini and AL-1241 Libre Mini catalog, May 1999; published by Sharp.

\* cited by examiner

*Primary Examiner*—Caron D. Veynar

(74) *Attorney, Agent, or Firm*—Burns, Doane, Swecker & Mathis, LLP

(57) **CLAIM**

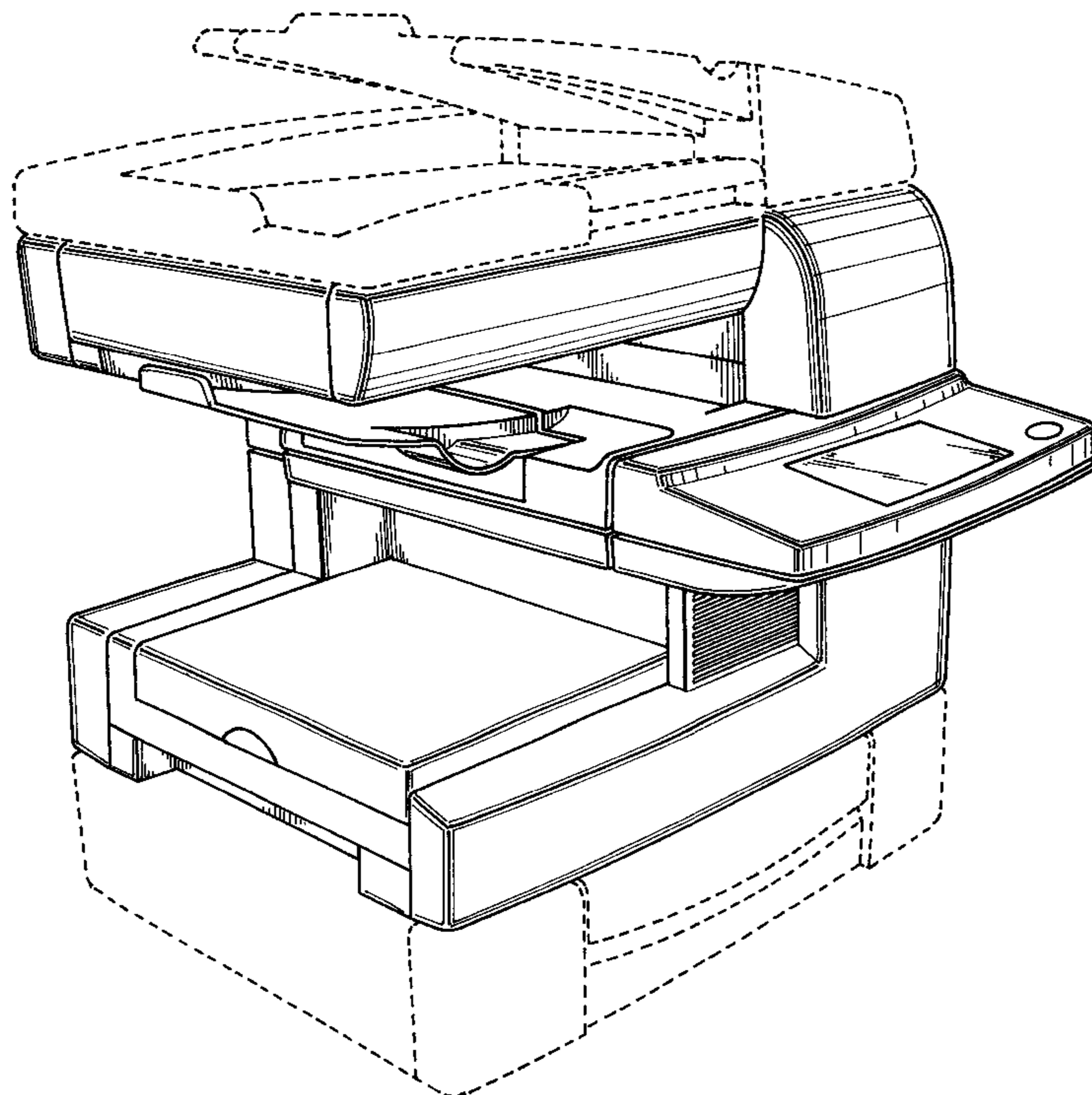
The ornamental design for a portion of a copying machine with facsimile functions, as shown and described.

**DESCRIPTION**

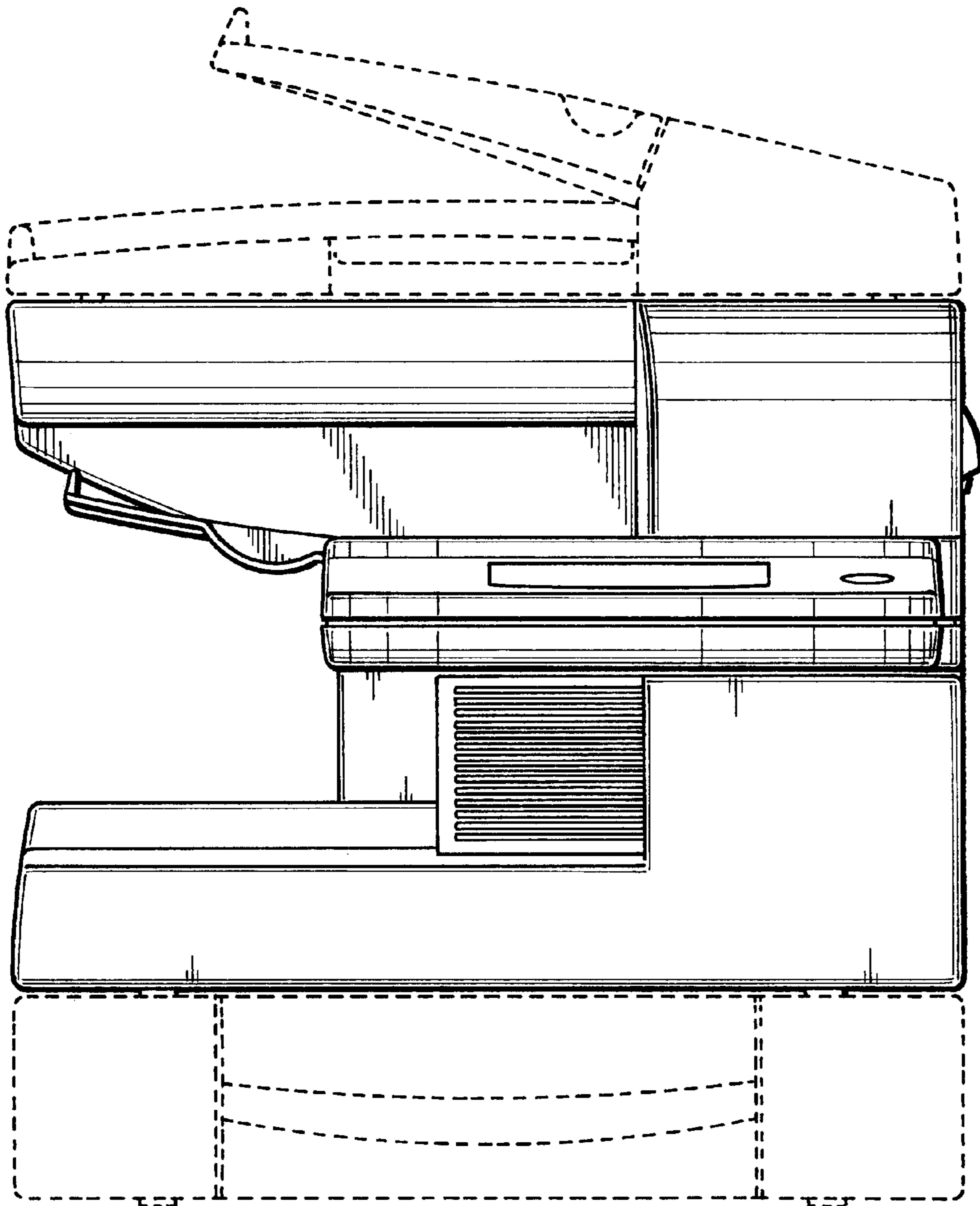
FIG. 1 is a front elevational view of a portion of a copying machine with facsimile functions showing our new design; FIG. 2 is a rear elevational view thereof; FIG. 3 is a left side elevational thereof; FIG. 4 is a right side elevational view thereof; FIG. 5 is a top plan view thereof; FIG. 6 is a bottom plan view thereof; and, FIG. 7 is a perspective view.

The broken lines are shown in the views for illustrative purposes only and form no part of the claimed design.

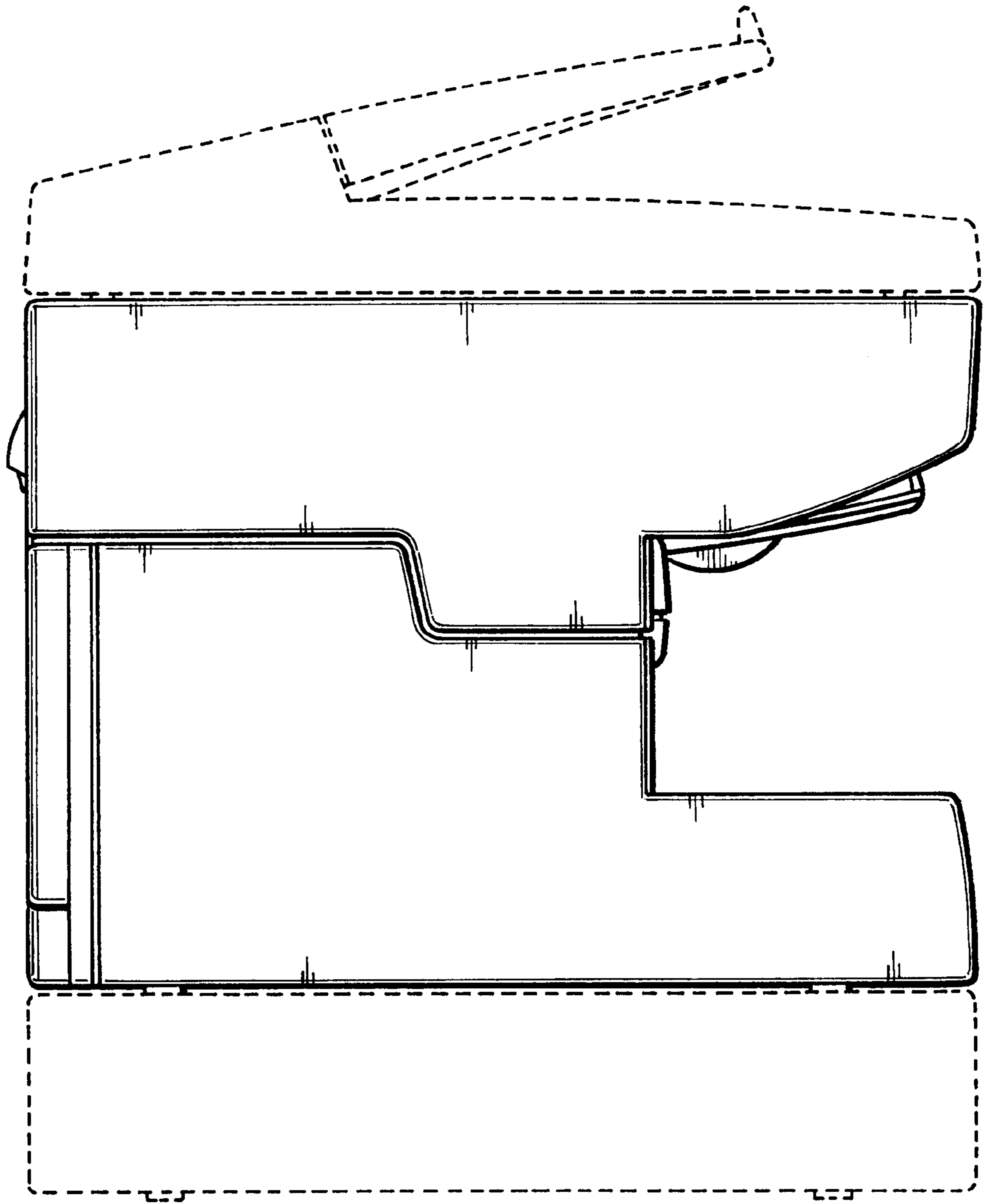
**1 Claim, 7 Drawing Sheets**



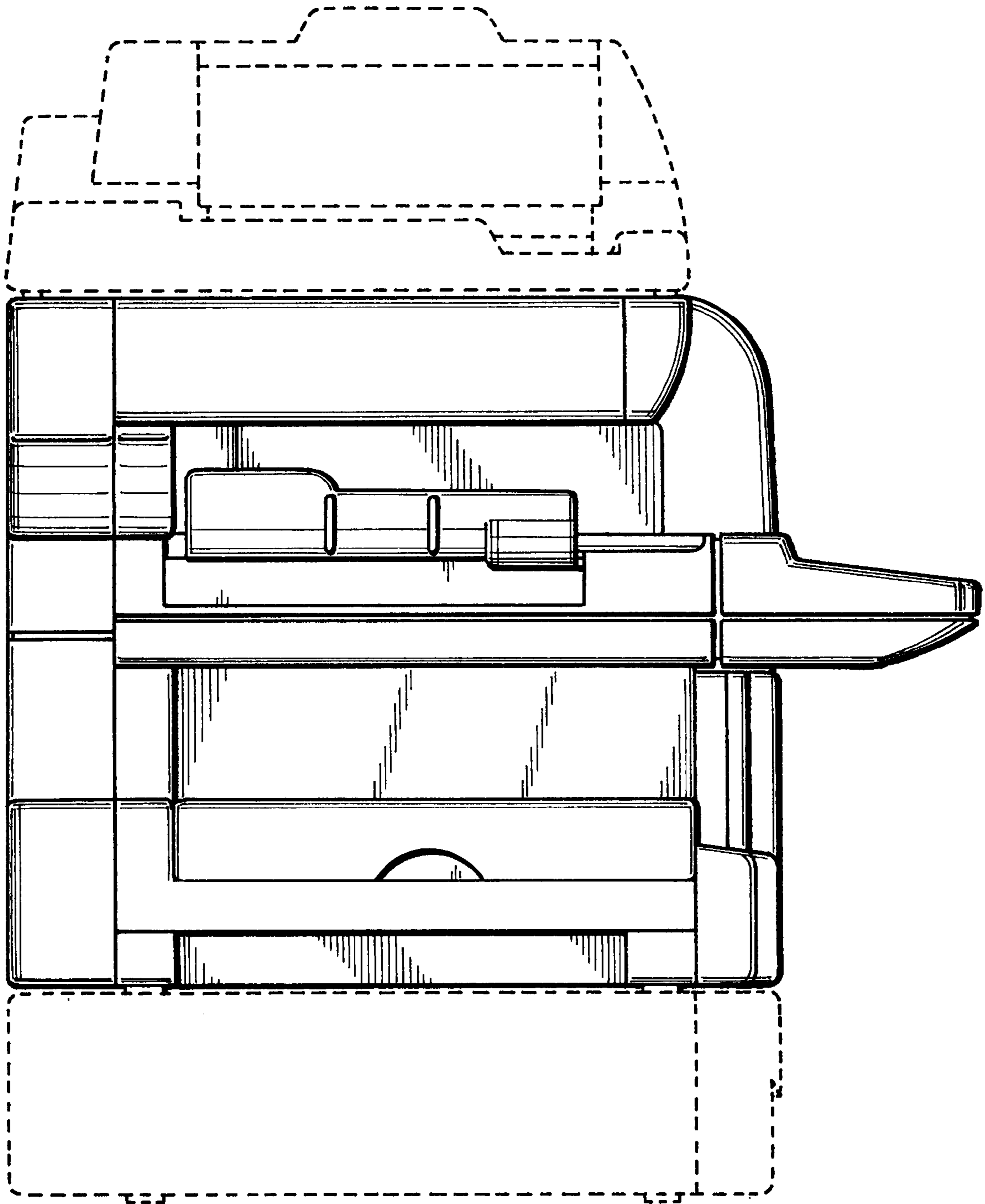
*Fig. 1*



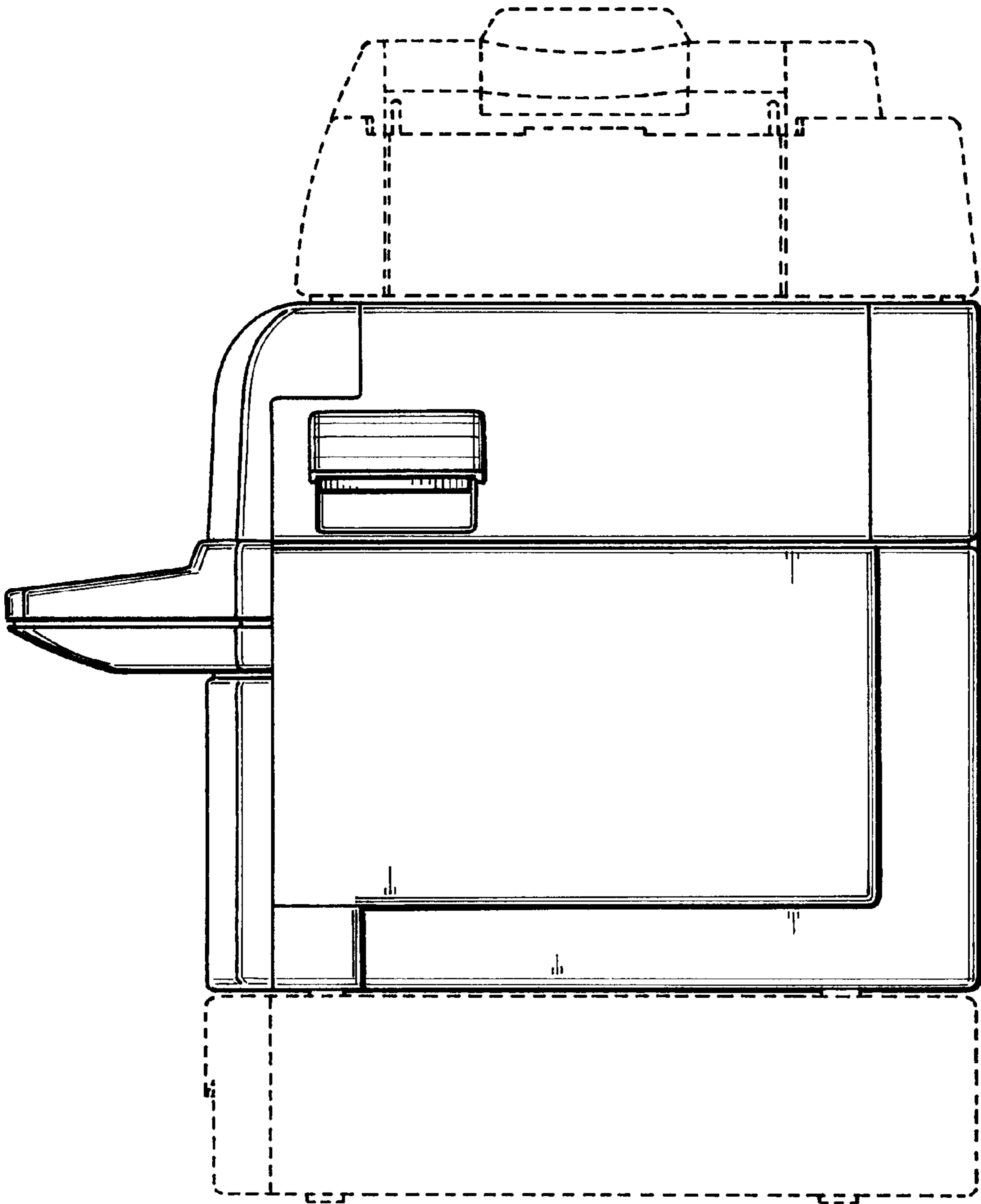
*Fig. 2*



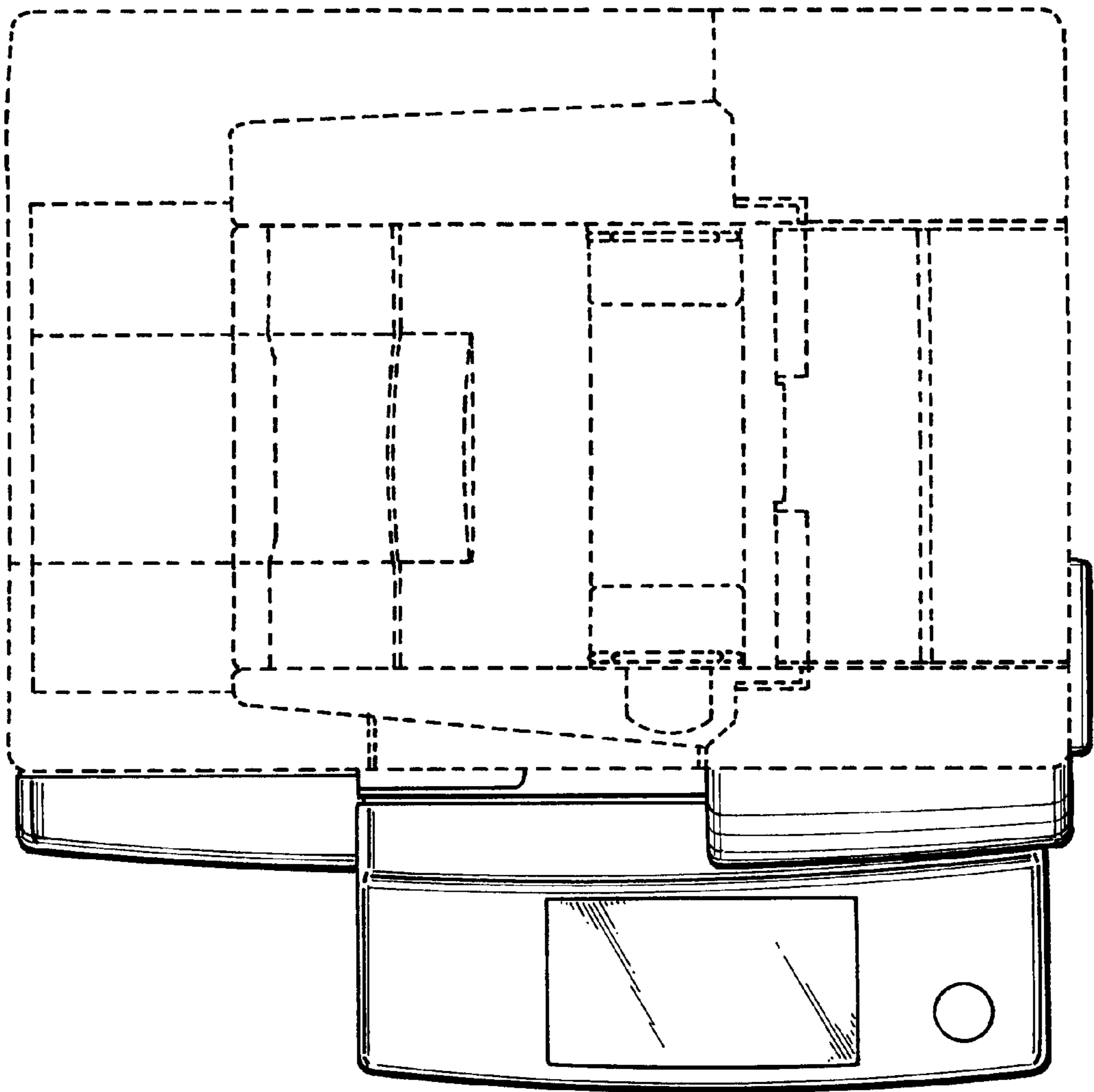
*Fig. 3*



*Fig. 4*

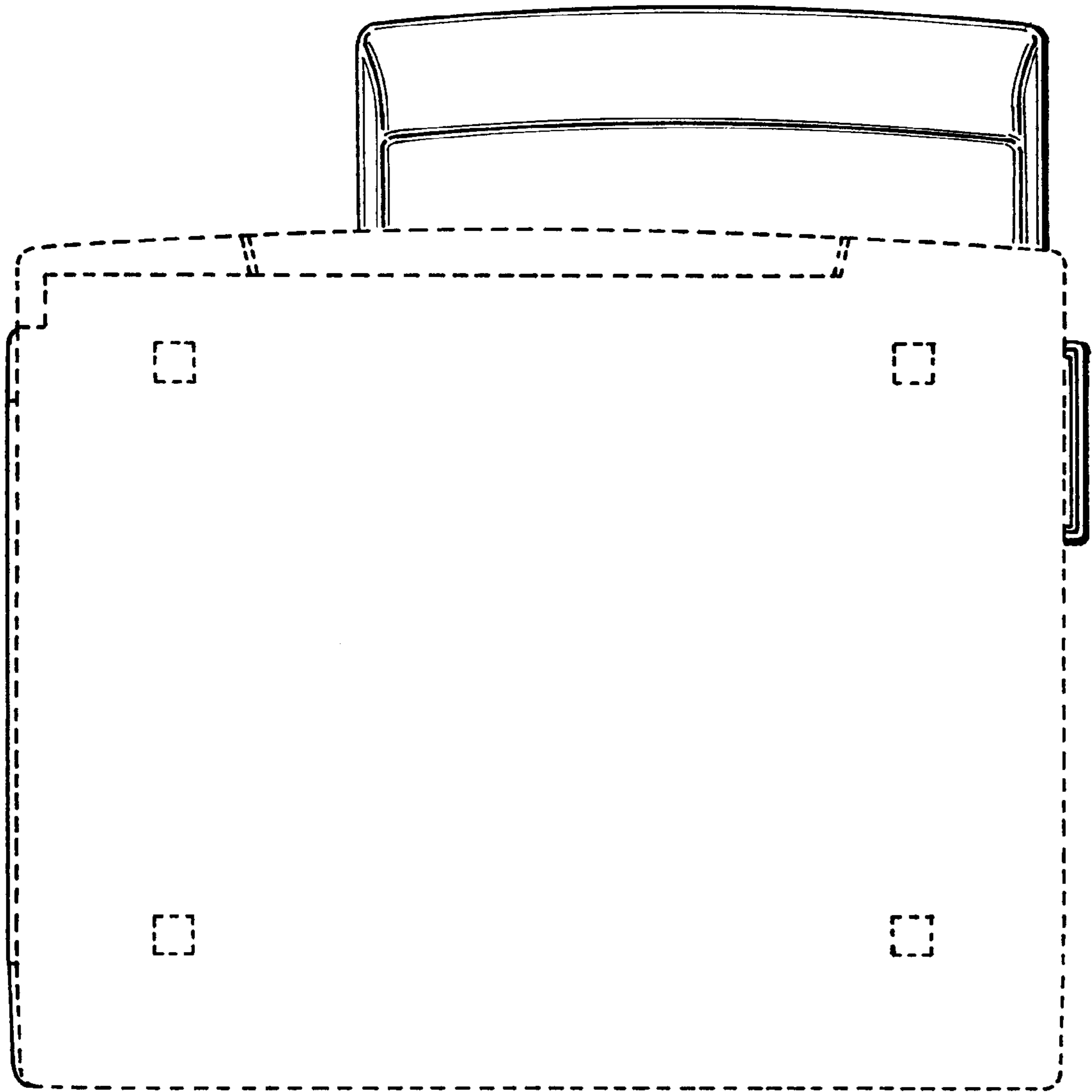


*Fig. 5*





*Fig. 6*



*Fig. 7*

