



US00D451120B1

(12) **United States Design Patent**
Venezia

(10) **Patent No.:** **US D451,120 S**

(45) **Date of Patent:** **** Nov. 27, 2001**

(54) **PUTTING GLASSES**

(76) Inventor: **Nicholas R Venezia**, 2275 Josh Ct. Apt
414, West Melbourne, FL (US)
32904-5037

(**) Term: **14 Years**

(21) Appl. No.: **29/125,808**

(22) Filed: **Jun. 30, 2000**

(51) **LOC (7) Cl.** **16-06**

(52) **U.S. Cl.** **D16/325; D16/101; D16/306**

(58) **Field of Search** **D16/101, 300-330,**
D16/335, 900; 351/41, 44, 51, 52, 45-48,
111, 158; 2/448

(56) **References Cited**

U.S. PATENT DOCUMENTS

D. 208,502	9/1967	Halpern et al. .	
D. 422,294	4/2000	Venezia et al. .	
1,206,132	* 11/1916	Otte	351/46
2,114,658	4/1938	Noffsinger .	
3,555,563	* 1/1971	Grossman .	
4,670,915	* 6/1987	Evans	2/448
4,824,234	4/1989	Sparks et al. .	
4,991,849	2/1991	Fabanich .	
5,177,510	1/1993	Peters et al. .	
5,682,220	10/1997	Sherman et al. .	

5,764,333	*	6/1998	Somsel	351/158
5,956,114	*	9/1999	Tassier	351/41
6,074,060	*	6/2000	Bruce	351/158

OTHER PUBLICATIONS

Sunglass Hut, p. 17, Oct. 11, 1994.*
Optician, p13, Apr. 20, 1979.*

* cited by examiner

Primary Examiner—Raphael Barkai

(57) **CLAIM**

The ornamental design for a putting glasses, as shown and described.

DESCRIPTION

FIG. 1 is a front elevational view of the putting glasses of the present invention;
FIG. 2 is a rear elevational view of the putting glasses of FIG. 1;
FIG. 3 is a right side elevational view of the putting glasses of FIG. 1, the left view being a mirror image thereof;
FIG. 4 is a top plan view of the putting glasses of FIG. 1; and,
FIG. 5 is a bottom plan view of the putting glasses of FIG. 1.

1 Claim, 3 Drawing Sheets

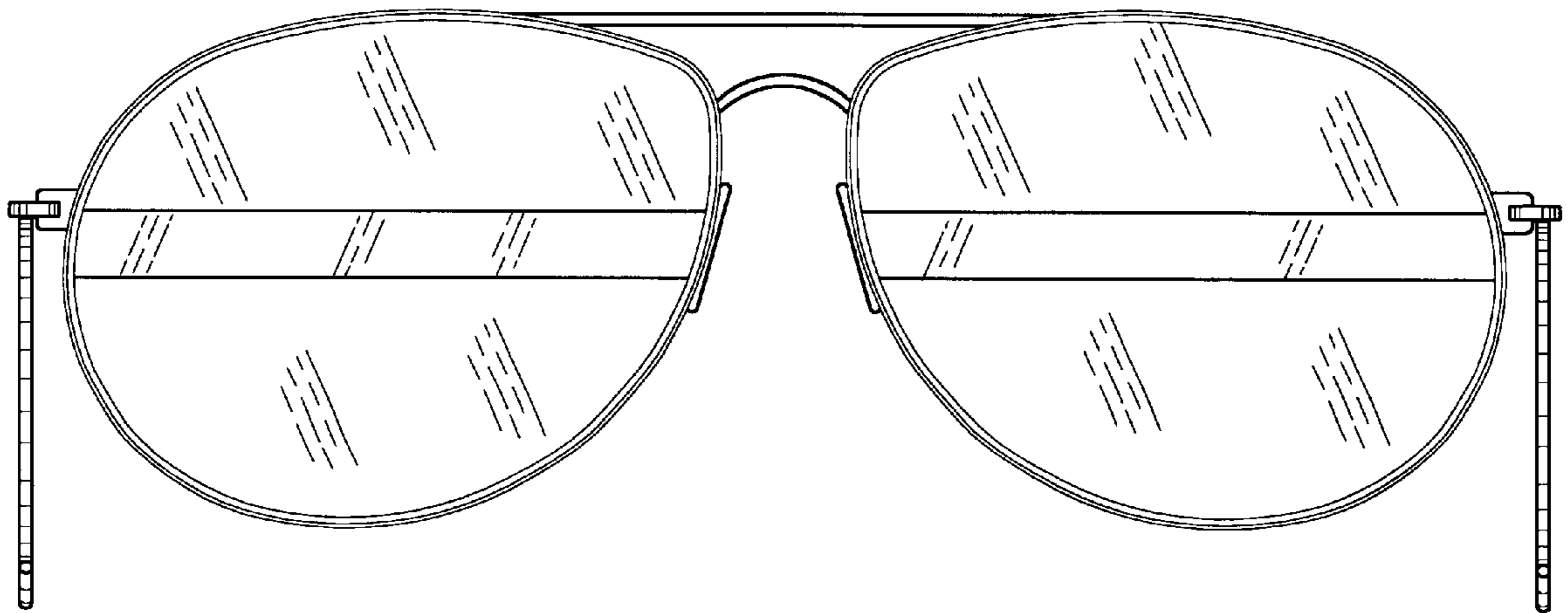


FIG. 1

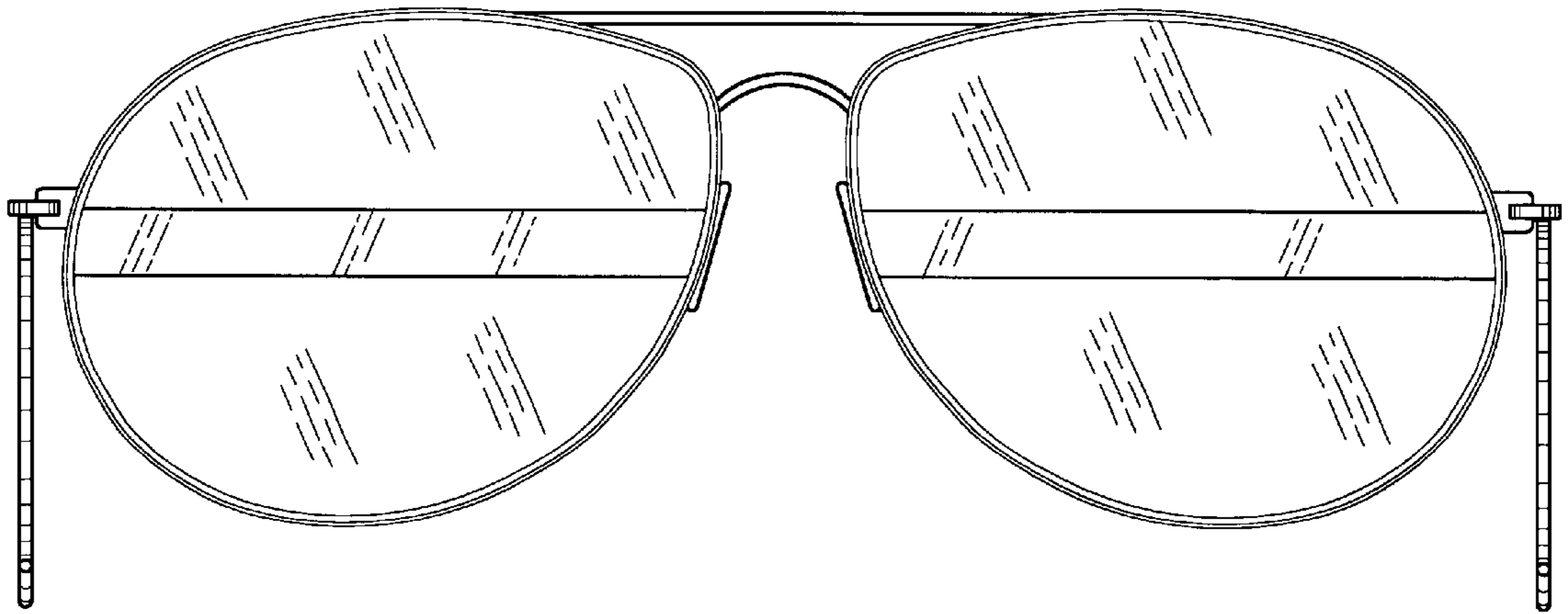
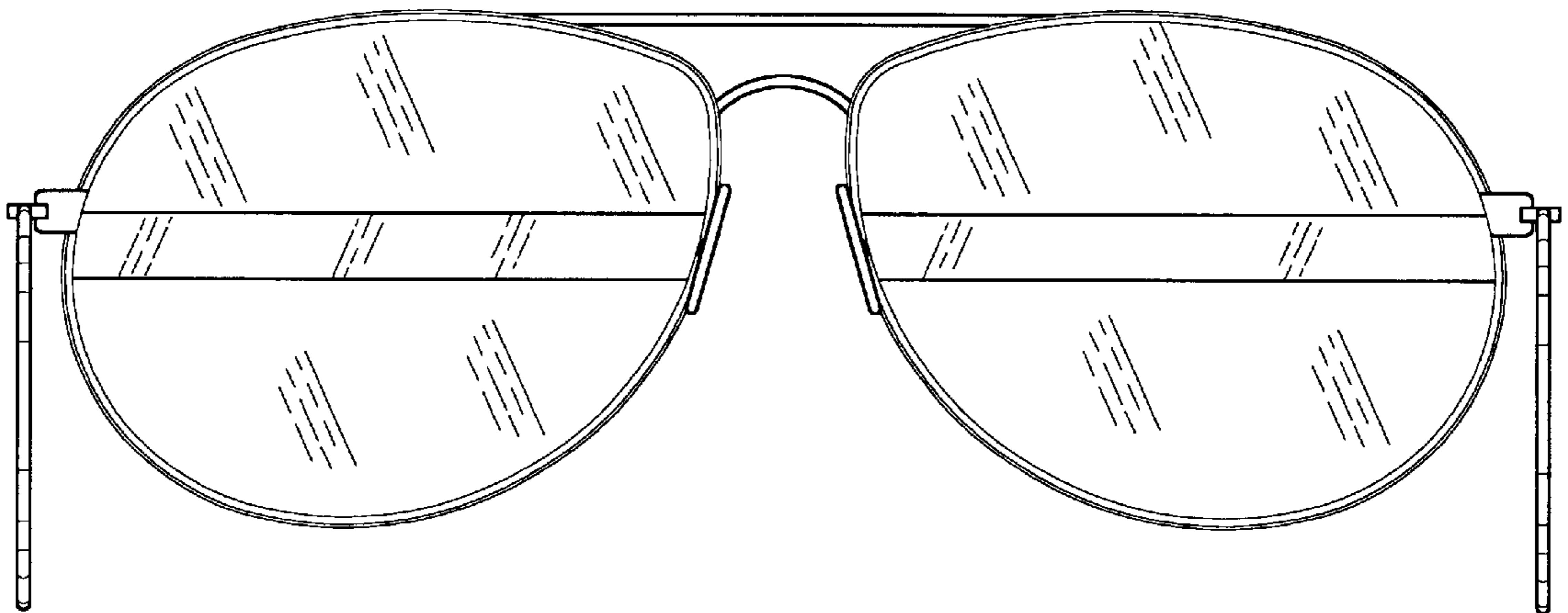
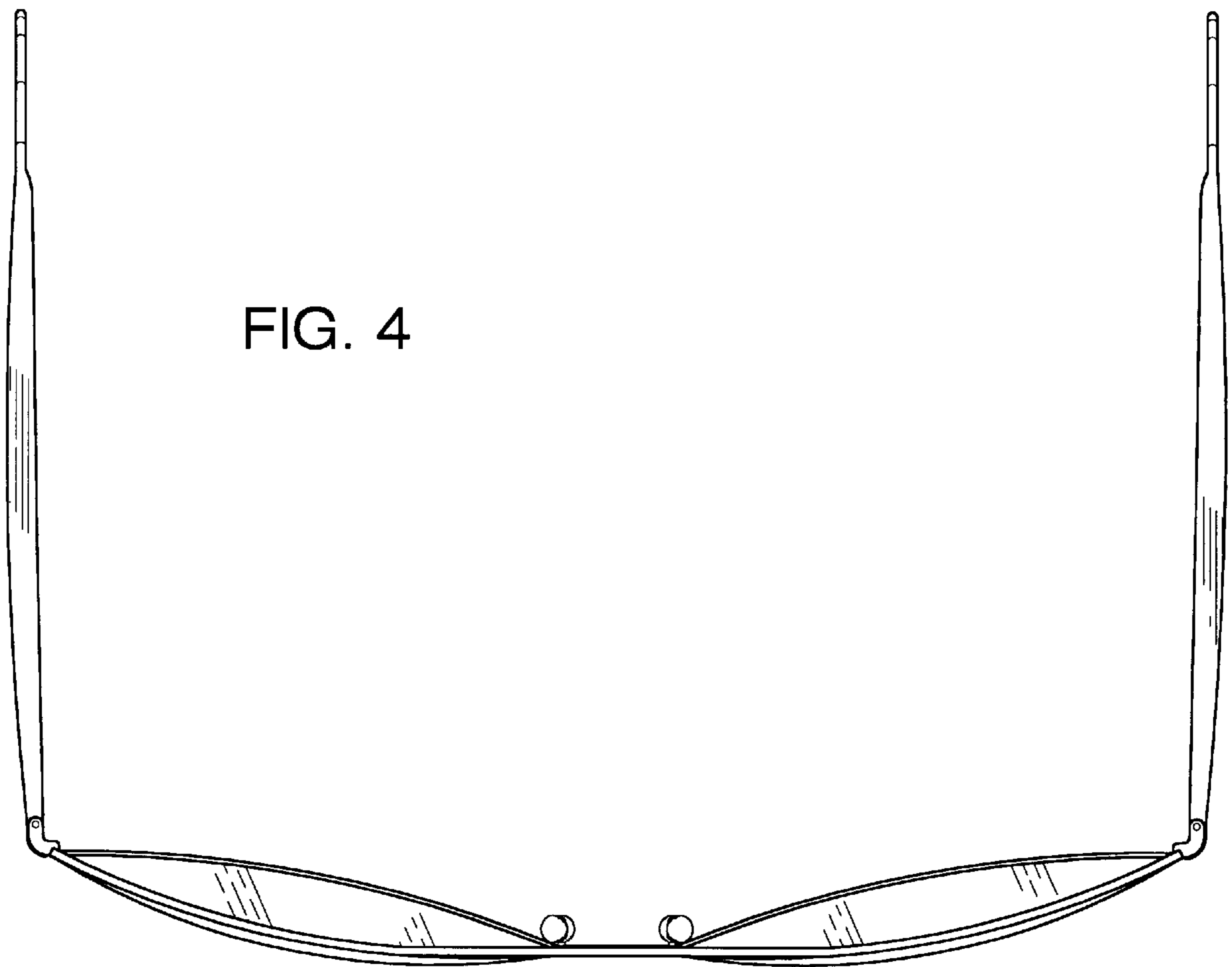
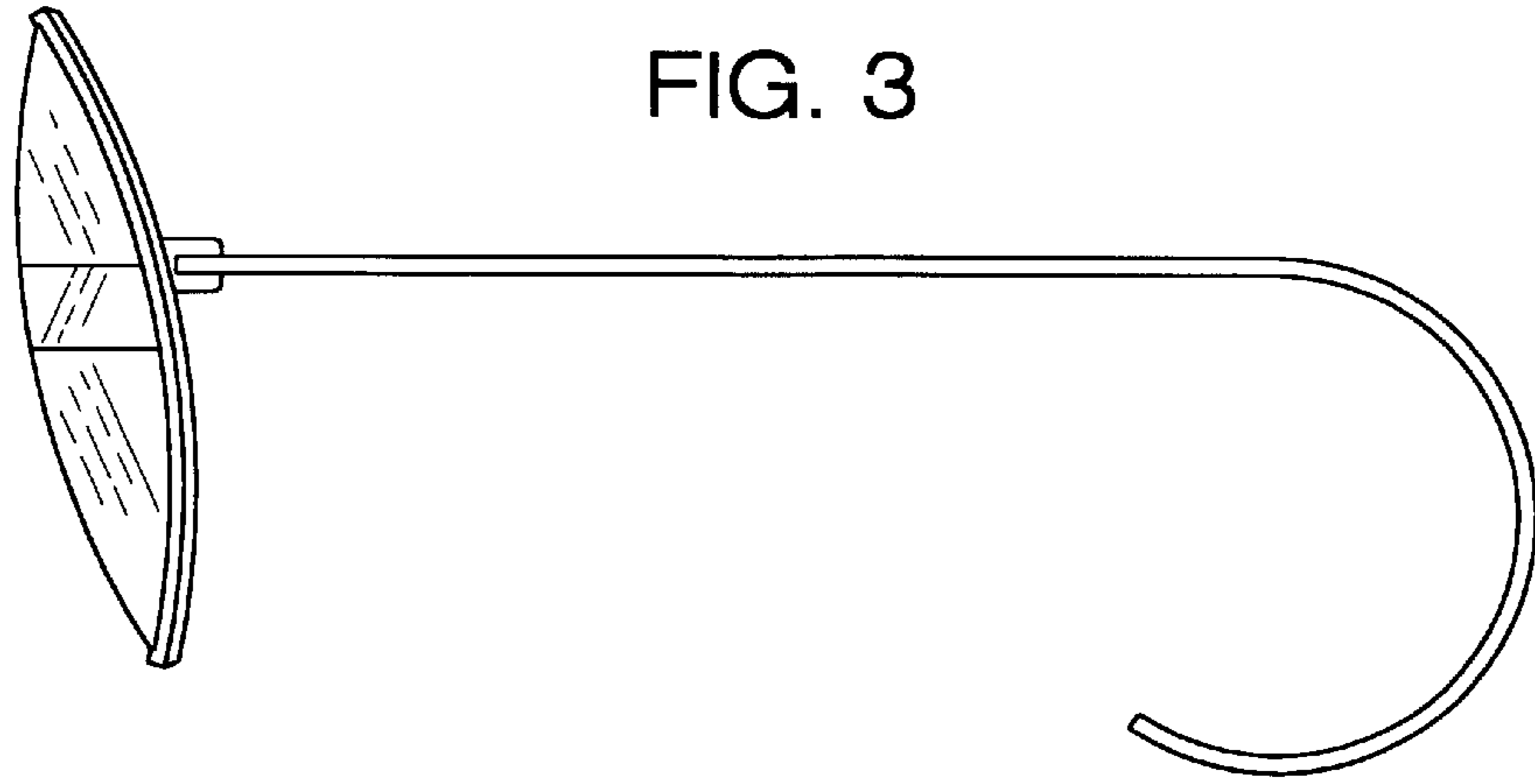


FIG. 2





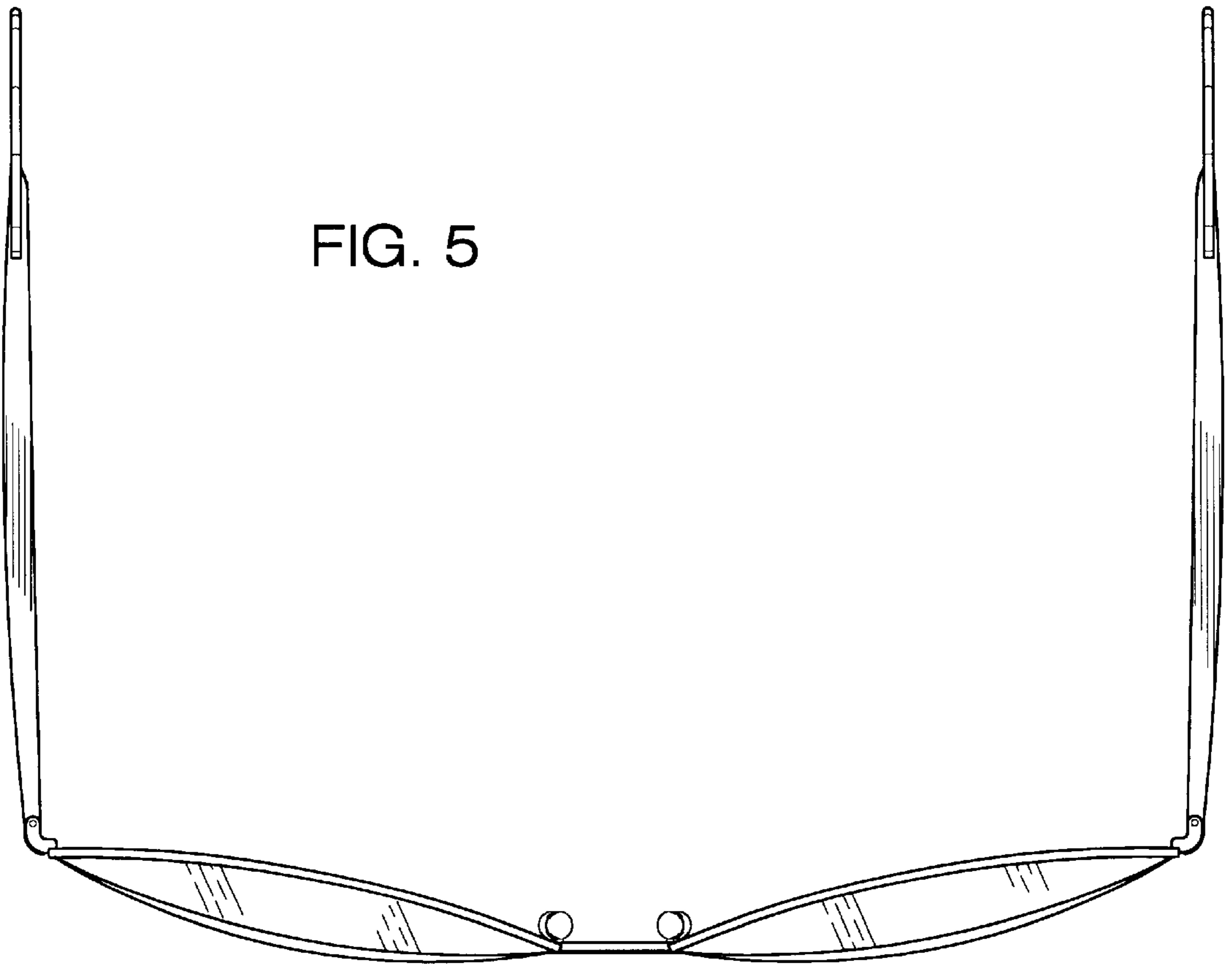


FIG. 5